



US00D532711S

(12) **United States Design Patent**
Churoux

(10) **Patent No.:** **US D532,711 S**

(45) **Date of Patent:** **** Nov. 28, 2006**

(54) **GAS GAUGE**

(75) Inventor: **Patrice Churoux**, Venteuil (FR)

(73) Assignee: **Virax, Societe Anonyme**, Epernay (FR)

(**) Term: **14 Years**

(21) Appl. No.: **29/229,668**

(22) Filed: **May 11, 2005**

(51) **LOC (8) Cl.** **10-04**

(52) **U.S. Cl.** **D10/85**

(58) **Field of Classification Search** **D10/85;**
73/744; 137/557

See application file for complete search history.

(56) **References Cited**

U.S. PATENT DOCUMENTS

D351,113 S * 10/1994 Hermansen D10/85

6,318,407 B1 * 11/2001 Kohn et al. 137/557

* cited by examiner

Primary Examiner—Antoine D. Davis

(74) *Attorney, Agent, or Firm*—Egbert Law Offices

(57) **CLAIM**

I claim the ornamental design for a gas gauge, as shown and described.

DESCRIPTION

FIG. 1 is an upper perspective view of the gas gauge showing my design.

FIG. 2 is a side view thereof;

FIG. 3 is an opposite side view thereof;

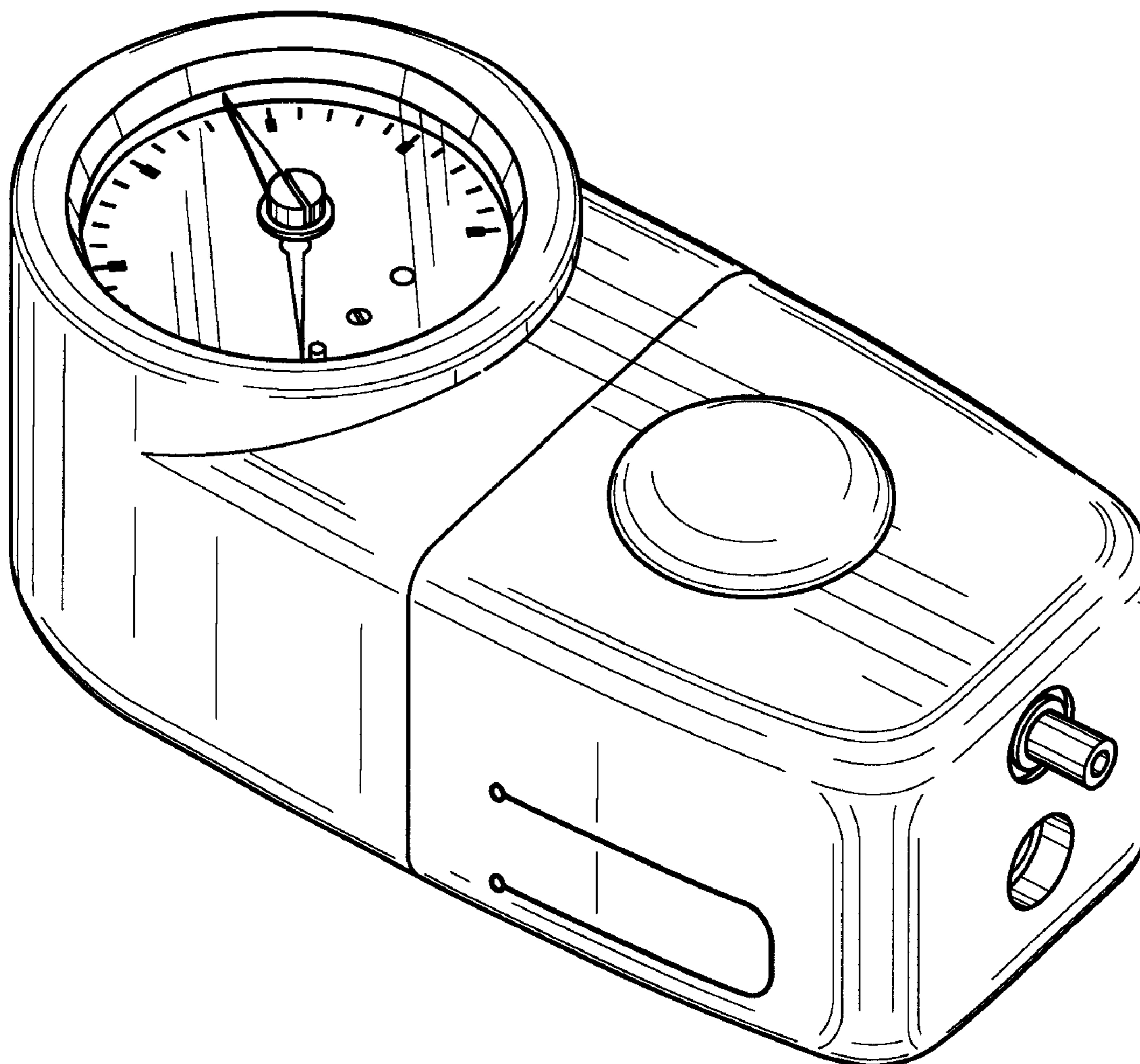
FIG. 4 is a top plan view thereof;

FIG. 5 is a bottom view thereof;

FIG. 6 is a front view thereof; and,

FIG. 7 is a back view thereof.

1 Claim, 3 Drawing Sheets



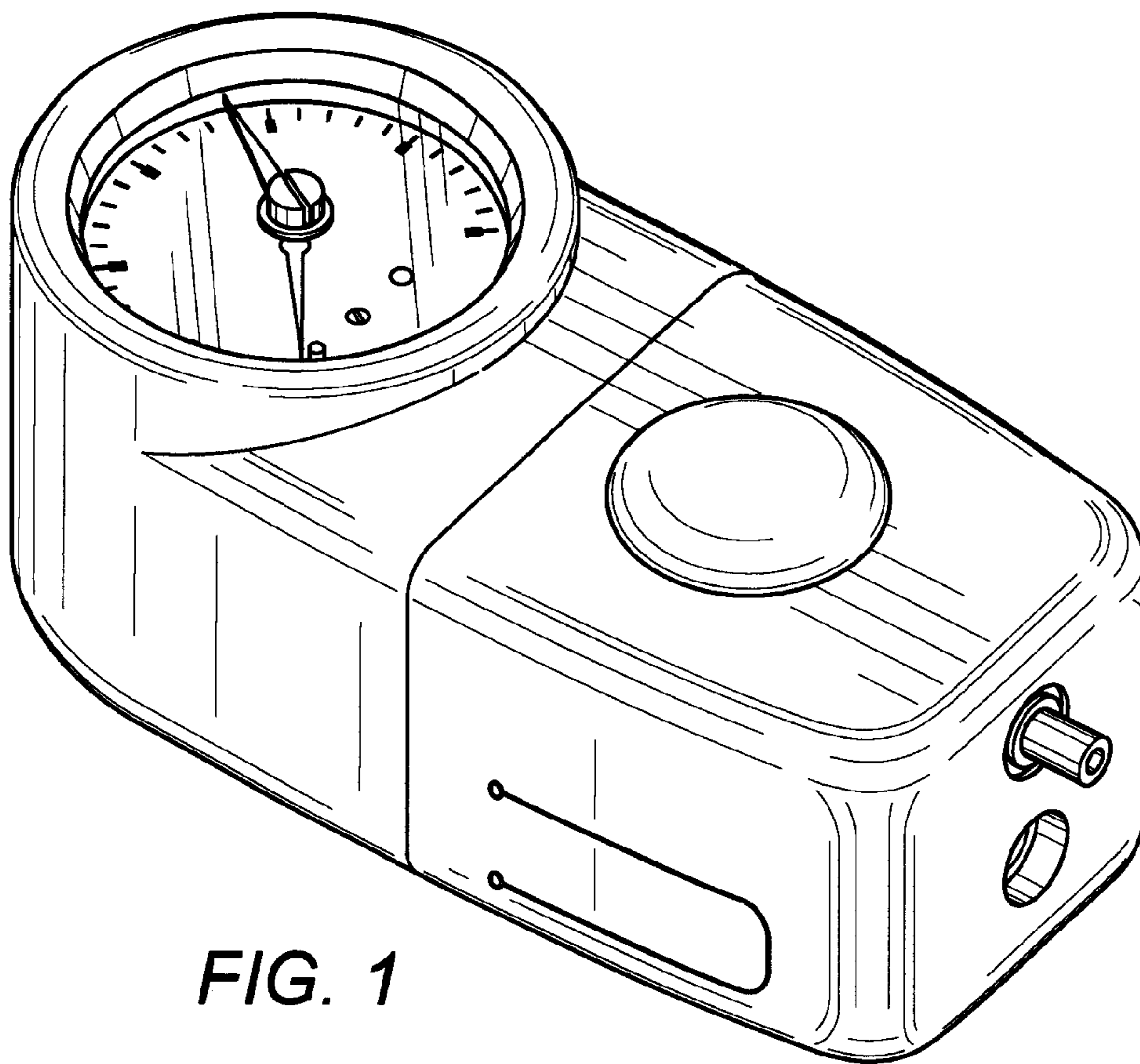


FIG. 1

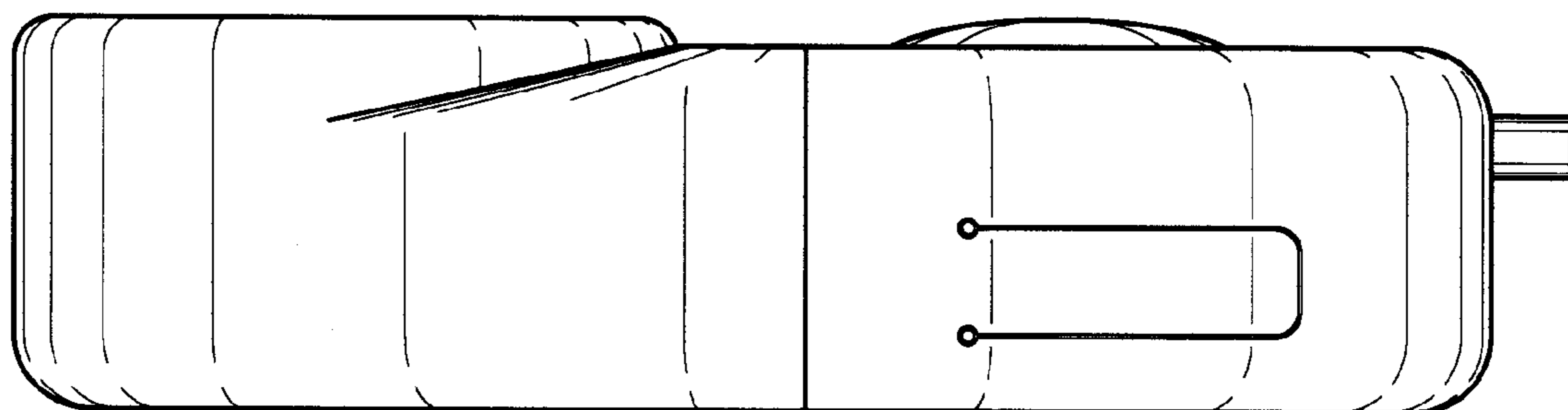


FIG. 2

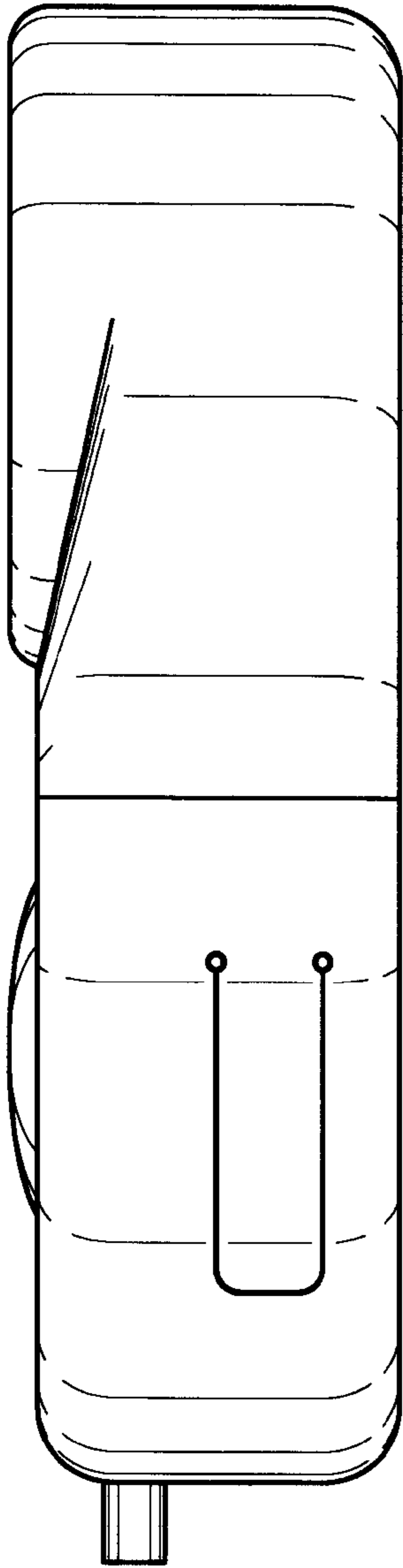


FIG. 3

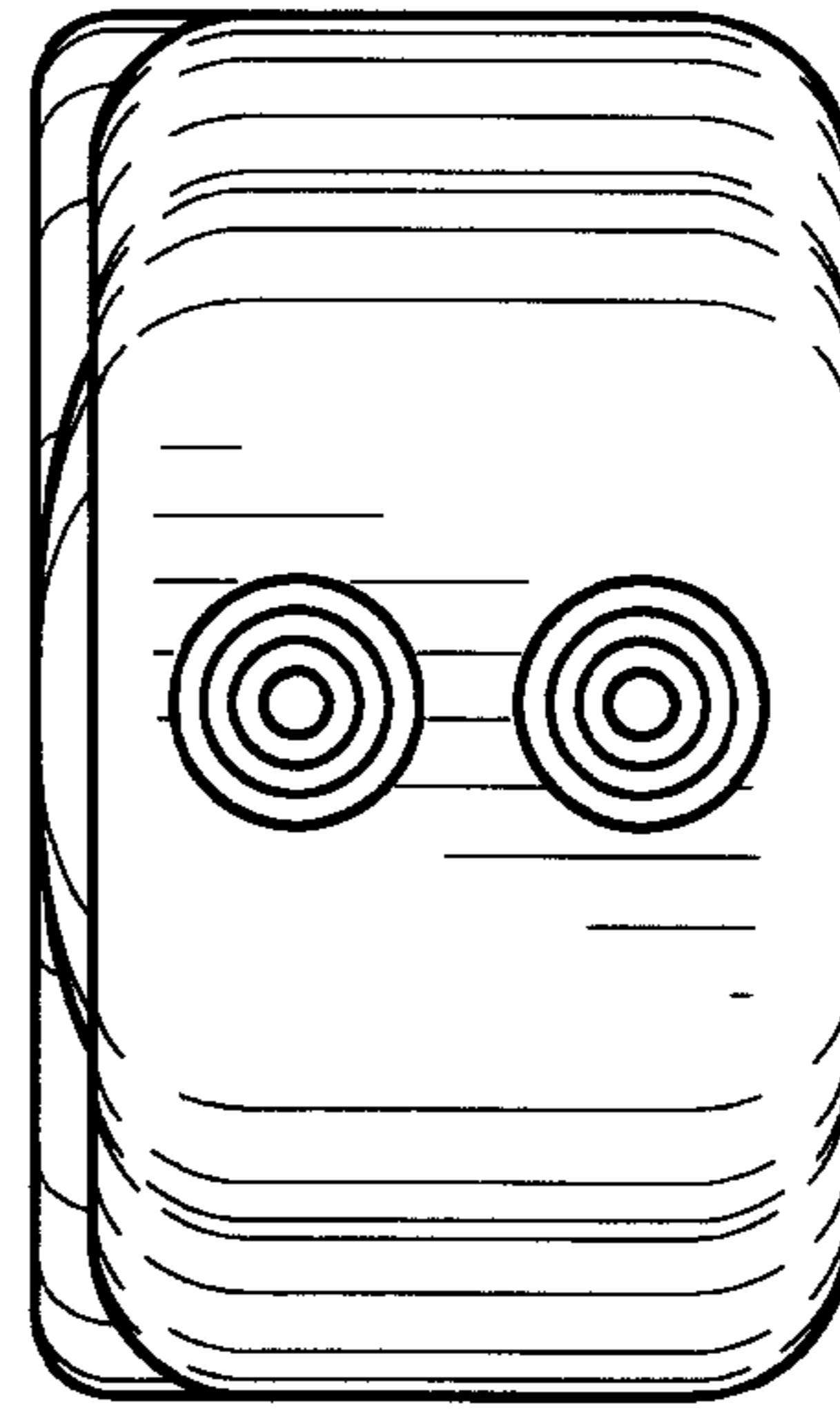


FIG. 5

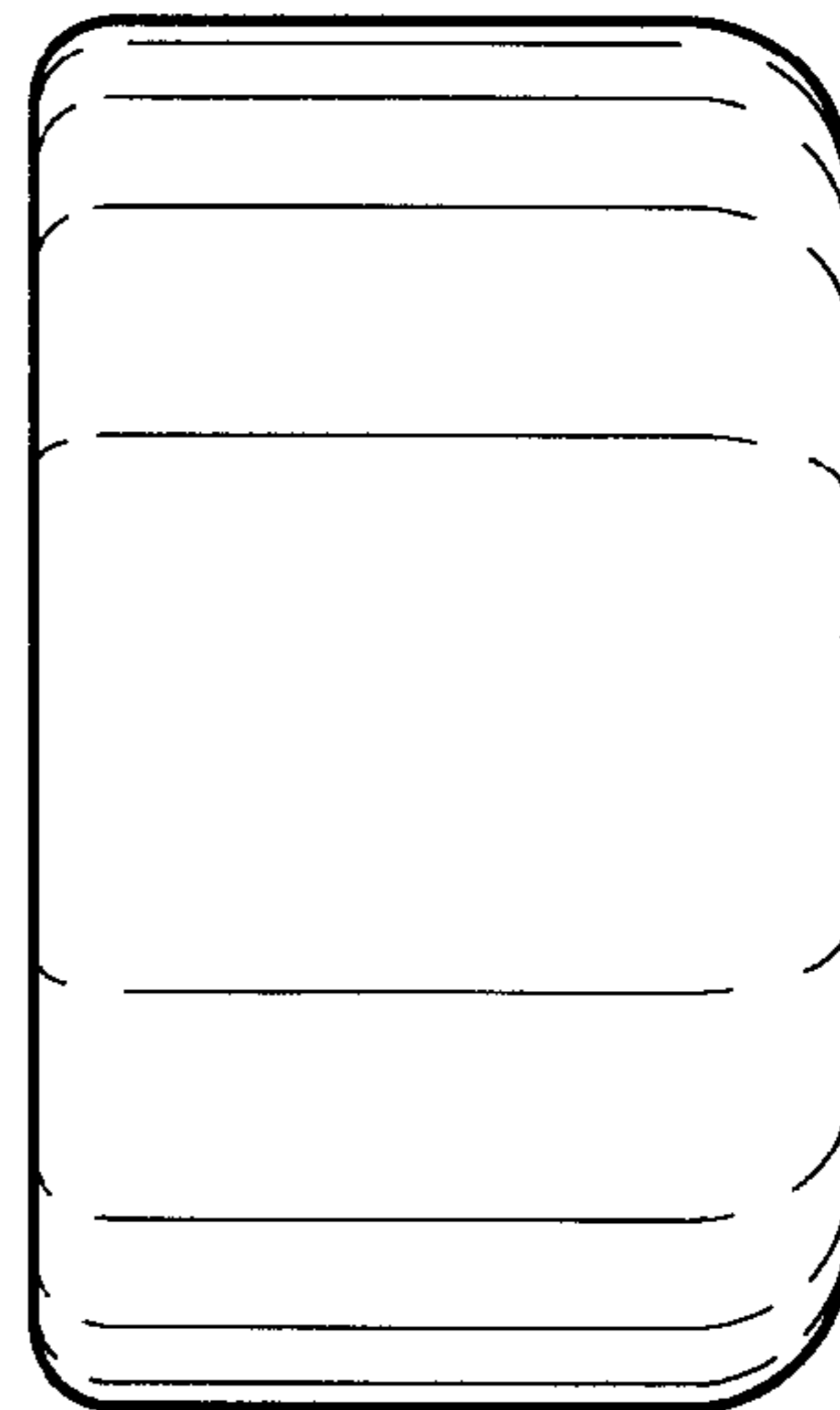


FIG. 4

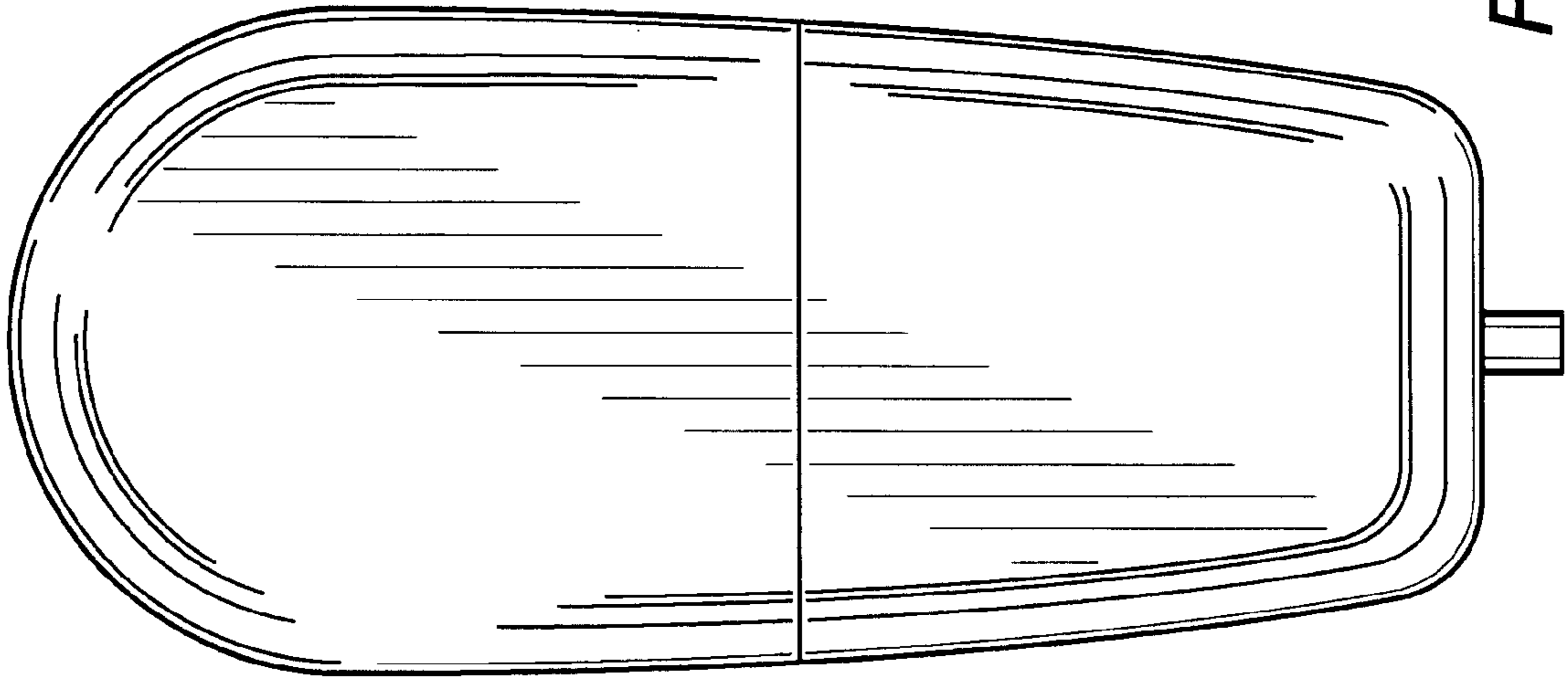


FIG. 7

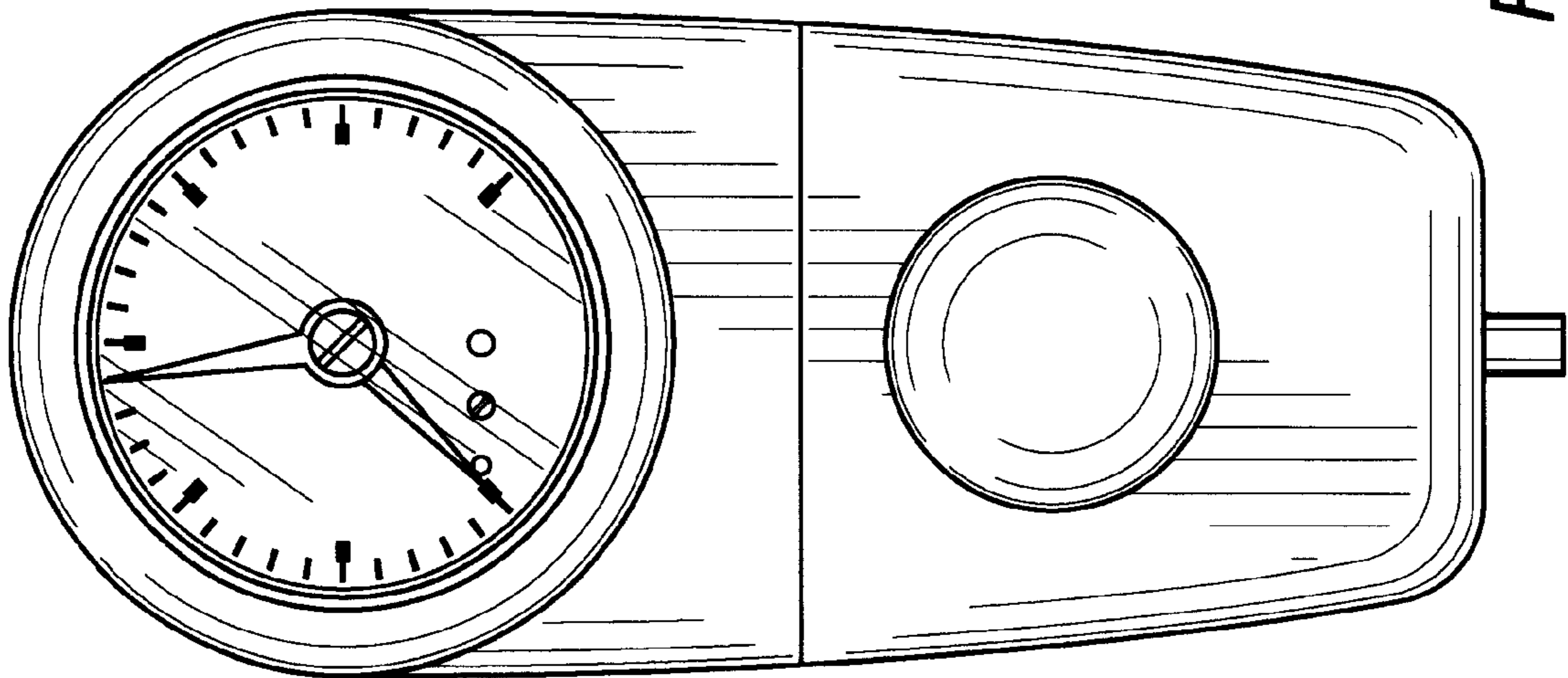


FIG. 6