



US00D532709S

(12) **United States Design Patent**  
**McCormick**

(10) **Patent No.:** **US D532,709 S**

(45) **Date of Patent:** **\*\* Nov. 28, 2006**

(54) **ELECTRONIC WEATHER STATION**

(76) Inventor: **Allan McCormick**, 1116 S. Oak St., La Crescent, MN (US) 55947

(\*\*) Term: **14 Years**

(21) Appl. No.: **29/254,038**

(22) Filed: **Feb. 15, 2006**

(51) **LOC (8) Cl.** ..... **10-04**

(52) **U.S. Cl.** ..... **D10/53**

(58) **Field of Classification Search** ..... D10/52-53;  
68/10; 73/170.16; 368/10, 73, 223, 251, 63,  
368/82, 11; 340/539, 601; 374/162, 201,  
374/202, 208, 209

See application file for complete search history.

(56) **References Cited**

**U.S. PATENT DOCUMENTS**

D446,133 S *	8/2001	Friedrichs et al. ....	D10/53
6,967,900 B1 *	11/2005	Chapman .....	368/10
2003/0076745 A1 *	4/2003	Chapman .....	368/10
2006/0095210 A1 *	5/2006	Chan .....	702/3
2006/0106540 A1 *	5/2006	Campbell .....	702/4

\* cited by examiner

*Primary Examiner*—Antoine D. Davis

(74) *Attorney, Agent, or Firm*—Olson & Hierl, Ltd.

(57) **CLAIM**

The ornamental design for an electronic weather station, as shown.

**DESCRIPTION**

FIG. 1 is an environmental perspective view of the inventive design for an electronic weather station;

FIG. 2 is a front elevational view of the FIG. 1 design;

FIG. 3 is a rear elevational view of the FIG. 1 design;

FIG. 4 is a top plan view of the FIG. 1 design;

FIG. 5 is a bottom plan view of the FIG. 1 design;

FIG. 6 is a right side view of the FIG. 1 design;

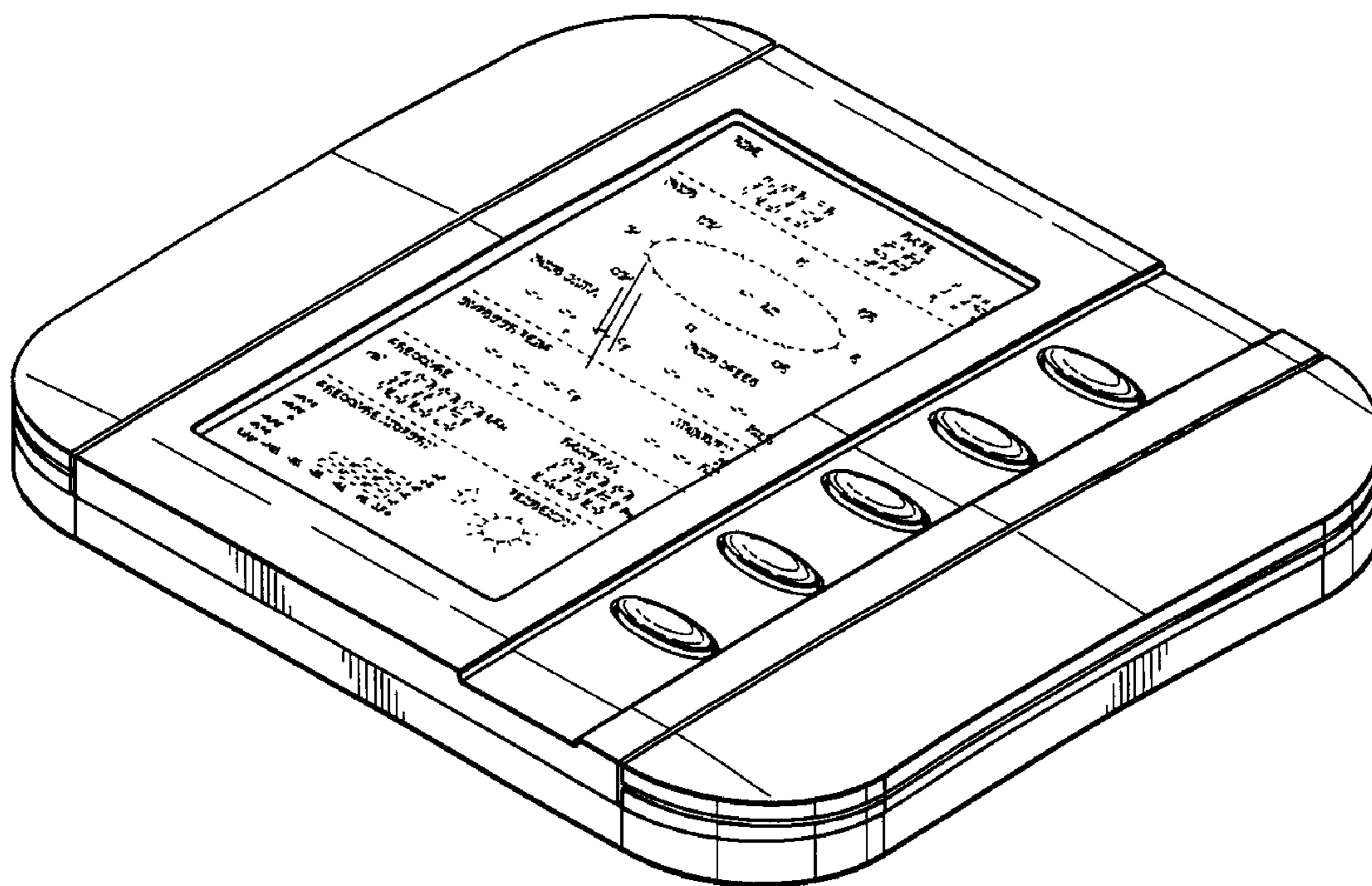
FIG. 7 is a left side view of the FIG. 1 design;

FIG. 8 is a bottom perspective view of the FIG. 1 design with the upper support legs in an extended position; and,

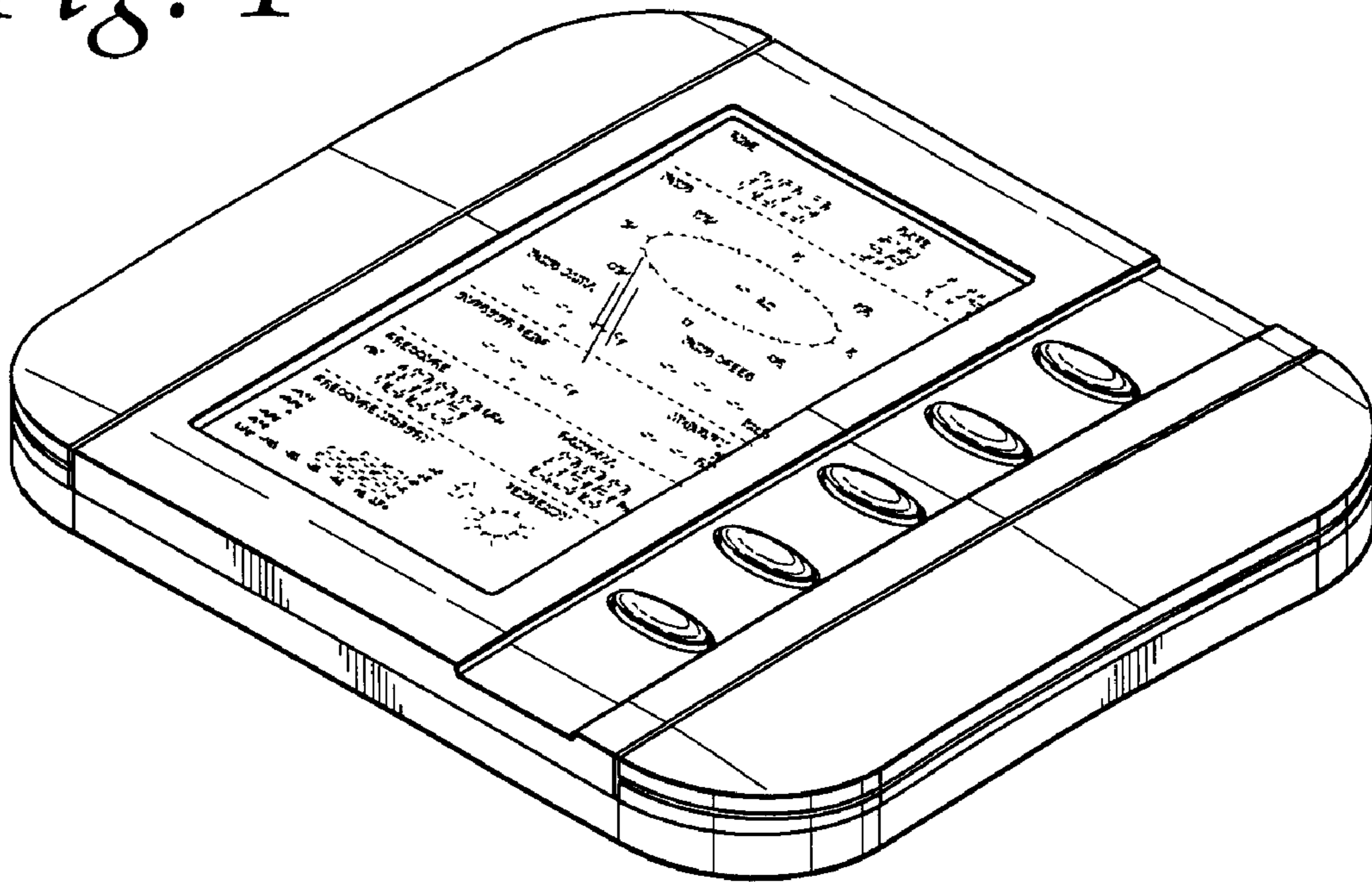
FIG. 9 is a bottom perspective view of the FIG. 1 design with the lower support legs in an extended position.

The broken line showing is for illustrative purposes only and forms no part of the claimed design.

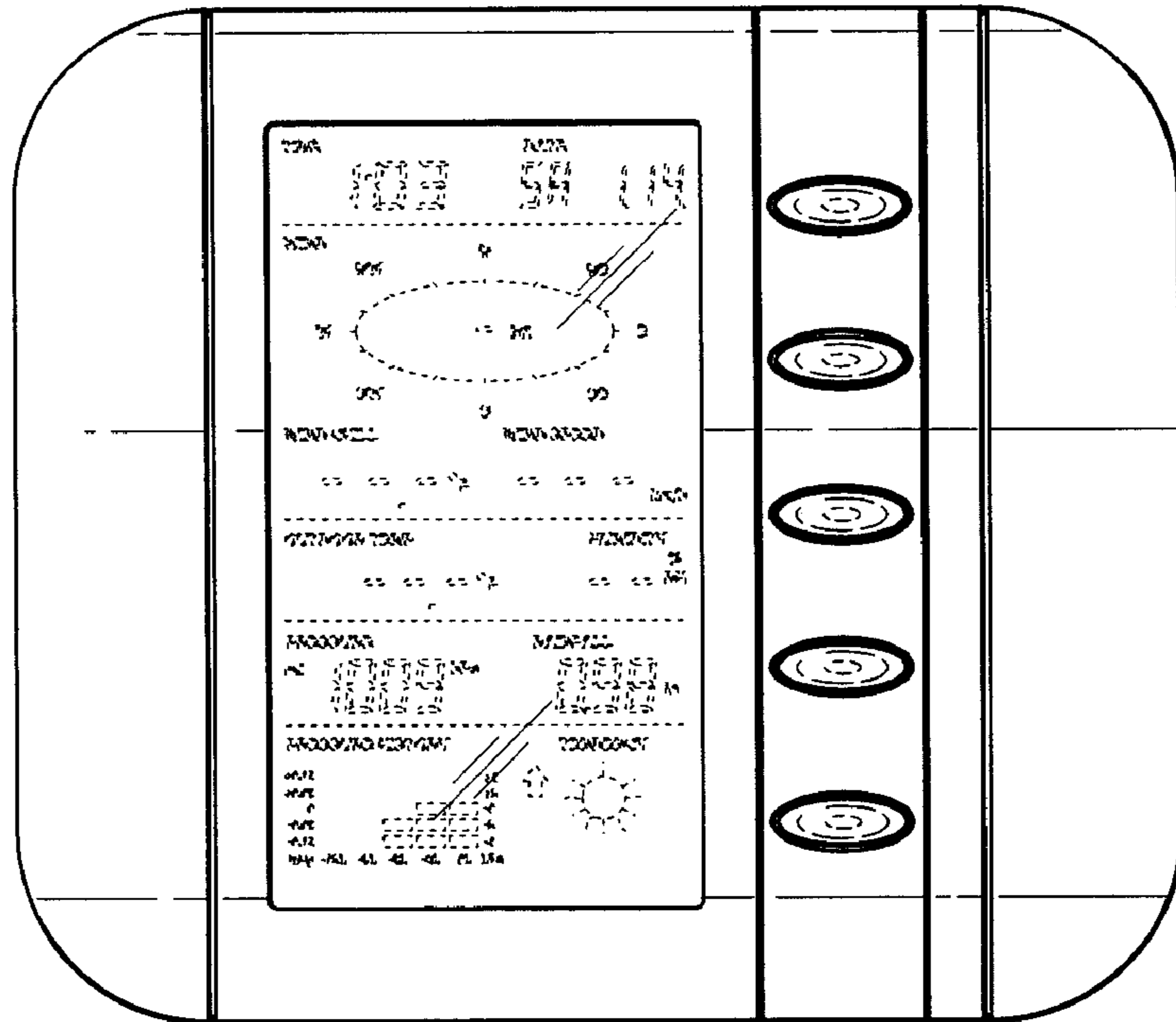
**1 Claim, 5 Drawing Sheets**



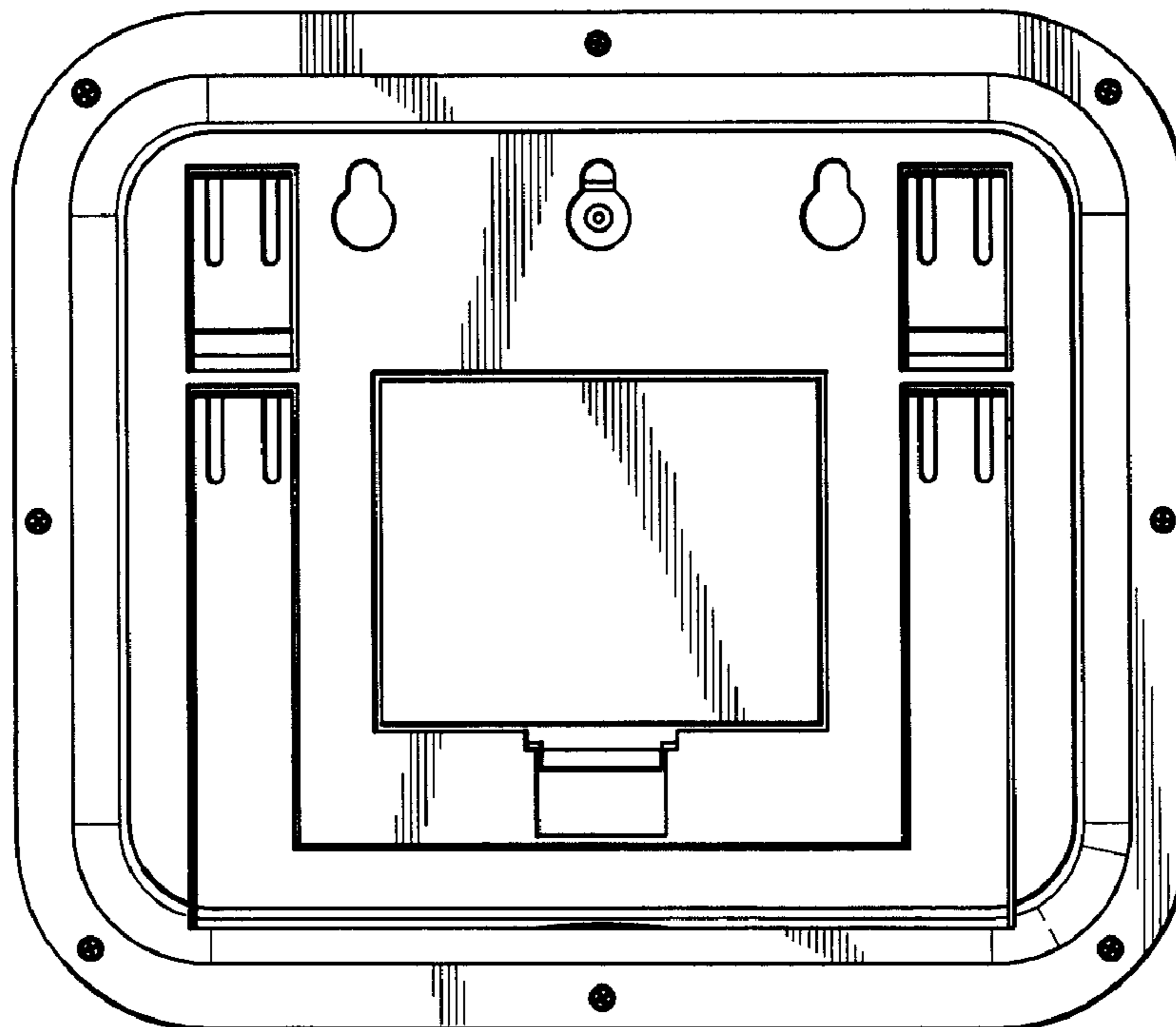
*Fig. 1*



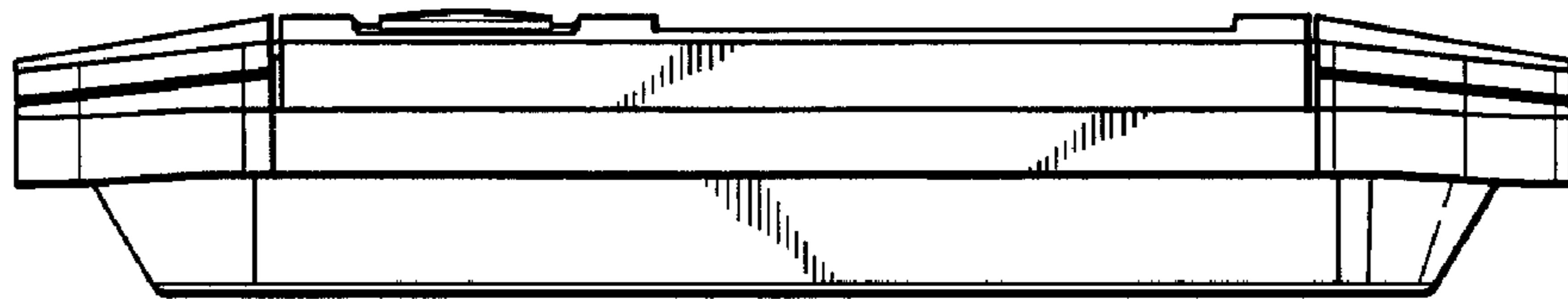
*Fig. 2*



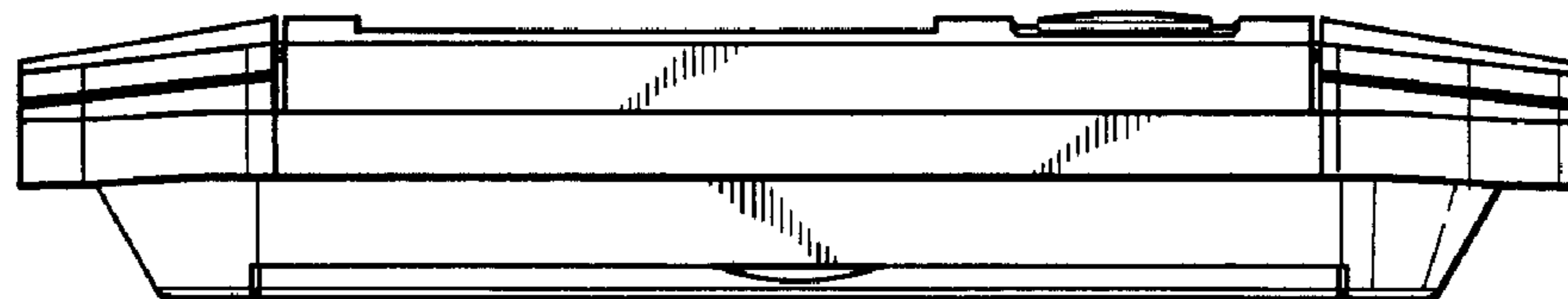
*Fig. 3*



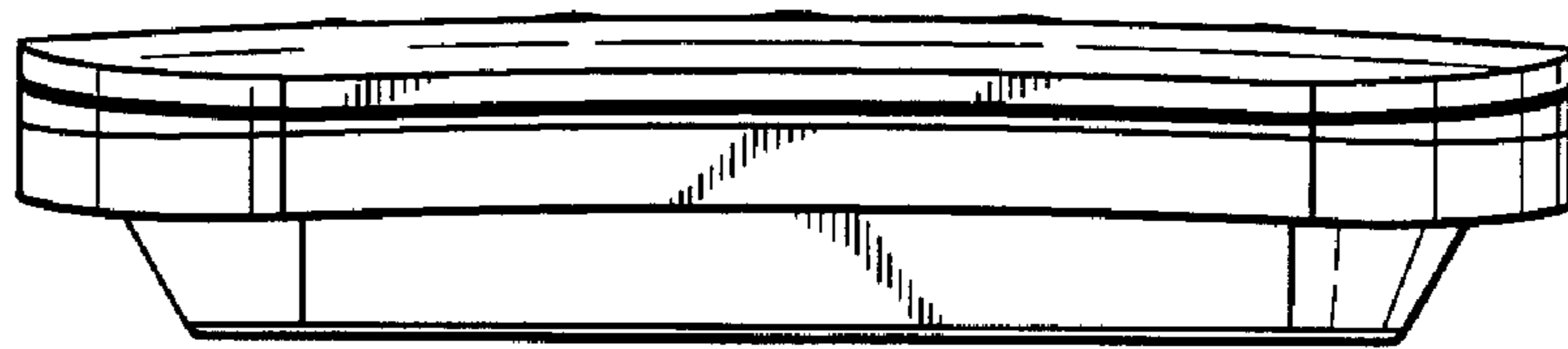
*Fig. 4*



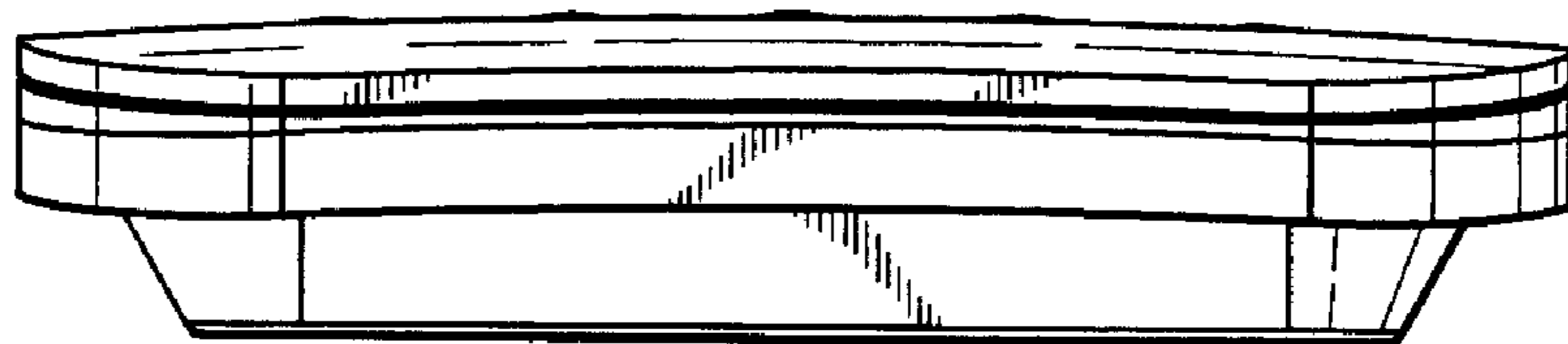
*Fig. 5*



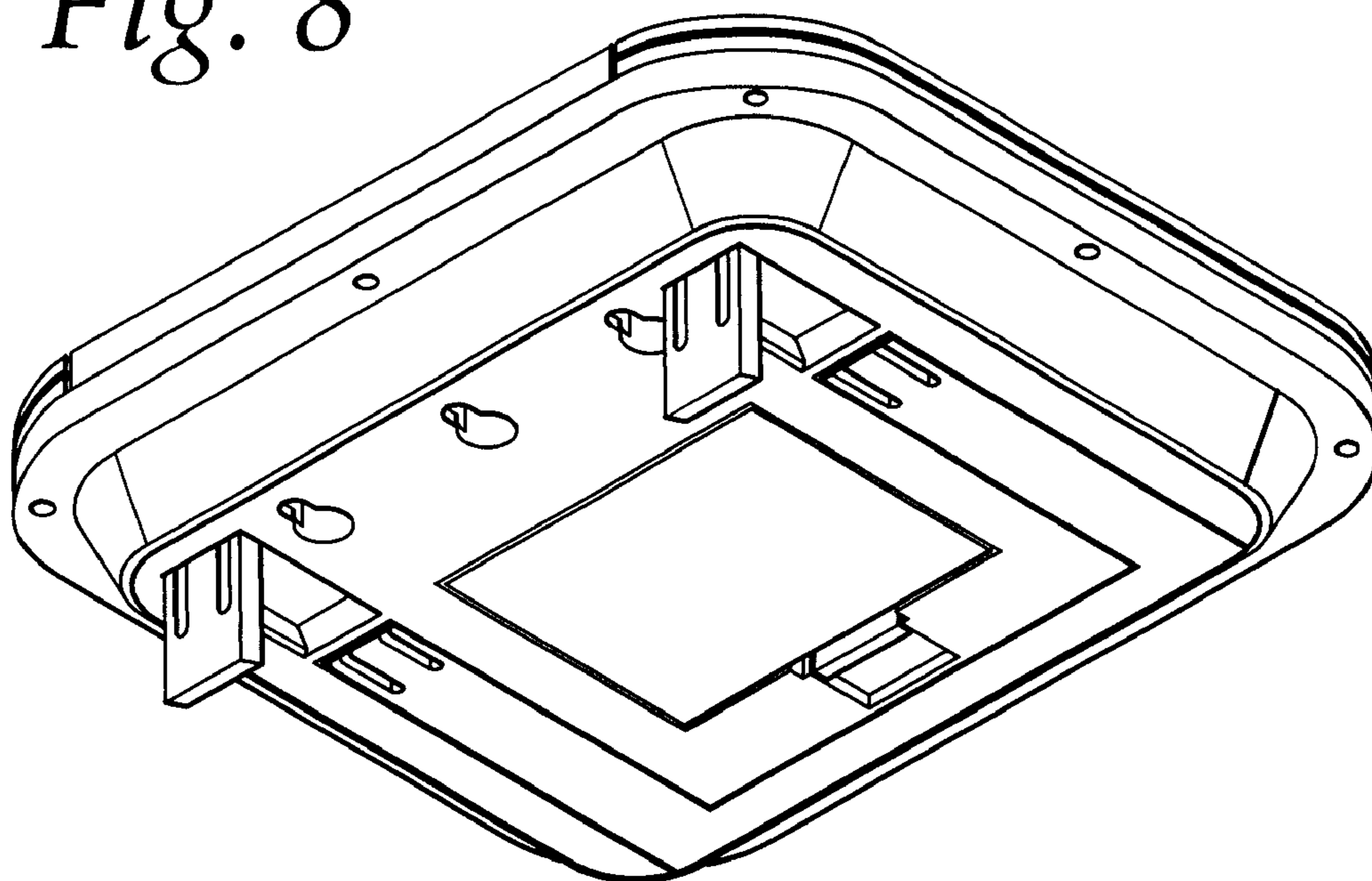
*Fig. 6*



*Fig. 7*



*Fig. 8*



*Fig. 9*

