



US00D532706S

(12) **United States Design Patent**
Bhavnani

(10) **Patent No.:** **US D532,706 S**

(45) **Date of Patent:** **** Nov. 28, 2006**

(54) **LETTER OPENER CLOCK**

D346,971 S * 5/1994 Takashima D10/28
D510,876 S 10/2005 Bhavnani
D511,694 S 11/2005 Bhavnani

(75) Inventor: **Dilip Bhavnani**, Beverly Hills, CA
(US)

OTHER PUBLICATIONS

(73) Assignee: **Sun Coast Merchandise Corporation**,
Commerce, CA (US)

Westclox Catalog, 1967, p. 20, "Annette" clock.*
U.S. Appl. No. 11/020,781, Dilip Bhavnani.
U.S. Appl. No. 29/220,466, Dilip Bhavnani.
U.S. Appl. No. 29/245,161, Dilip Bhavnani.

(**) Term: **14 Years**

* cited by examiner

(21) Appl. No.: **29/245,163**

(22) Filed: **Dec. 19, 2005**

Primary Examiner—Lucy Lieberman

(51) **LOC (8) Cl.** **10-01**

(74) *Attorney, Agent, or Firm*—The Soni Law Firm

(52) **U.S. Cl.** **D10/2; D10/15; D8/104**

(57) **CLAIM**

(58) **Field of Classification Search** D10/1–29;
368/276, 285, 316, 317, 10, 278, 179–183;
D8/102, 104

The ornamental design for a letter opener clock, as shown
and described.

See application file for complete search history.

DESCRIPTION

(56) **References Cited**

FIG. 1 is a front side perspective view of the present
invention showing my new design;

U.S. PATENT DOCUMENTS

FIG. 2 is a front view thereof;

D50,732 S * 5/1917 Hoche D10/2
D50,994 S * 7/1917 Hoche D10/2
D101,722 S * 10/1936 Williams D10/1
D128,111 S * 7/1941 Gottlieb D10/1
D201,895 S * 8/1965 Danz D10/23
D253,226 S * 10/1979 Cheng D10/23
D337,276 S * 7/1993 Yuen D10/2

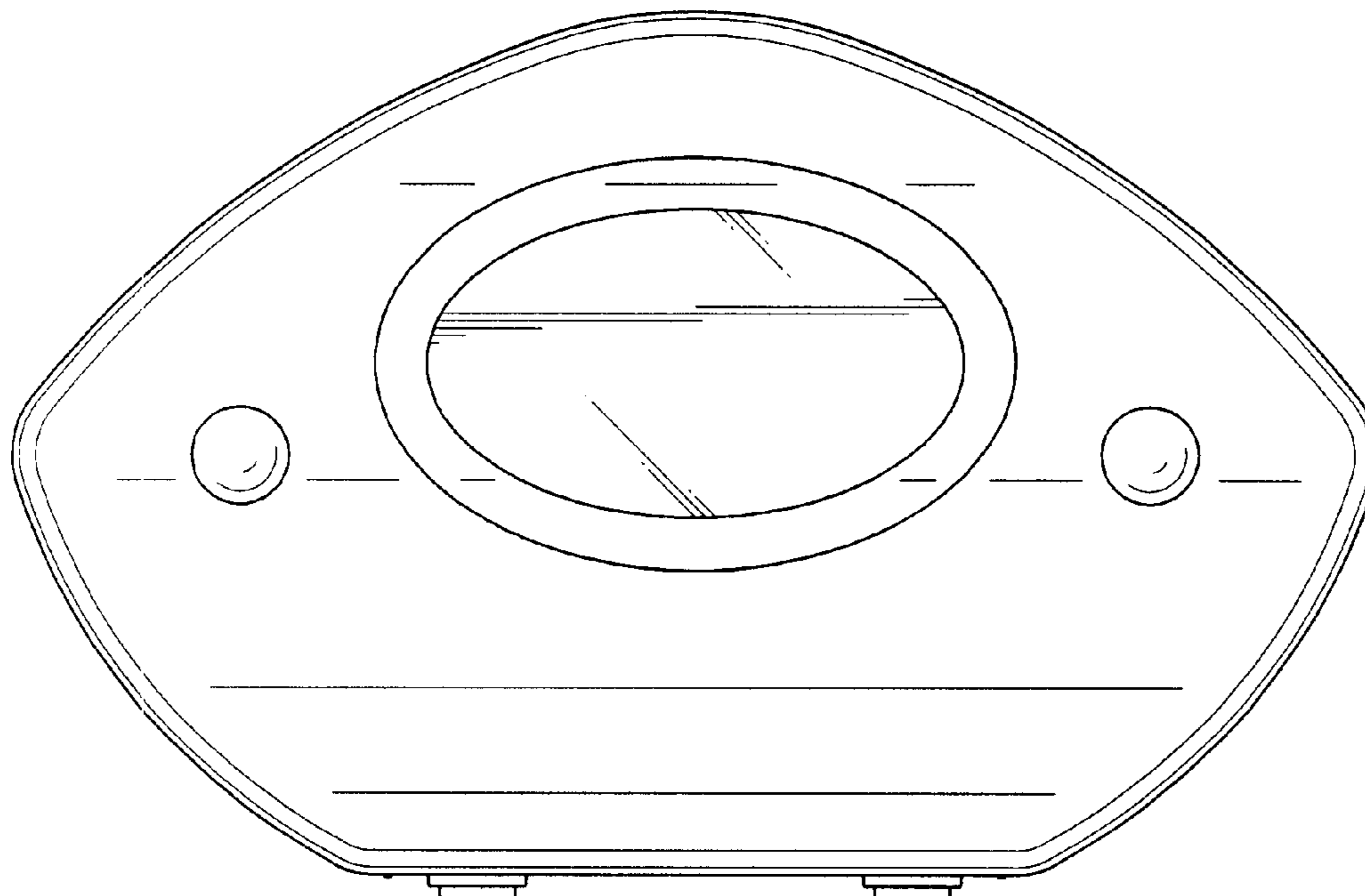
FIG. 3 is a top view thereof;

FIG. 4 is a side view thereof;

FIG. 5 is a back view thereof; and,

FIG. 6 is a bottom view thereof.

1 Claim, 3 Drawing Sheets



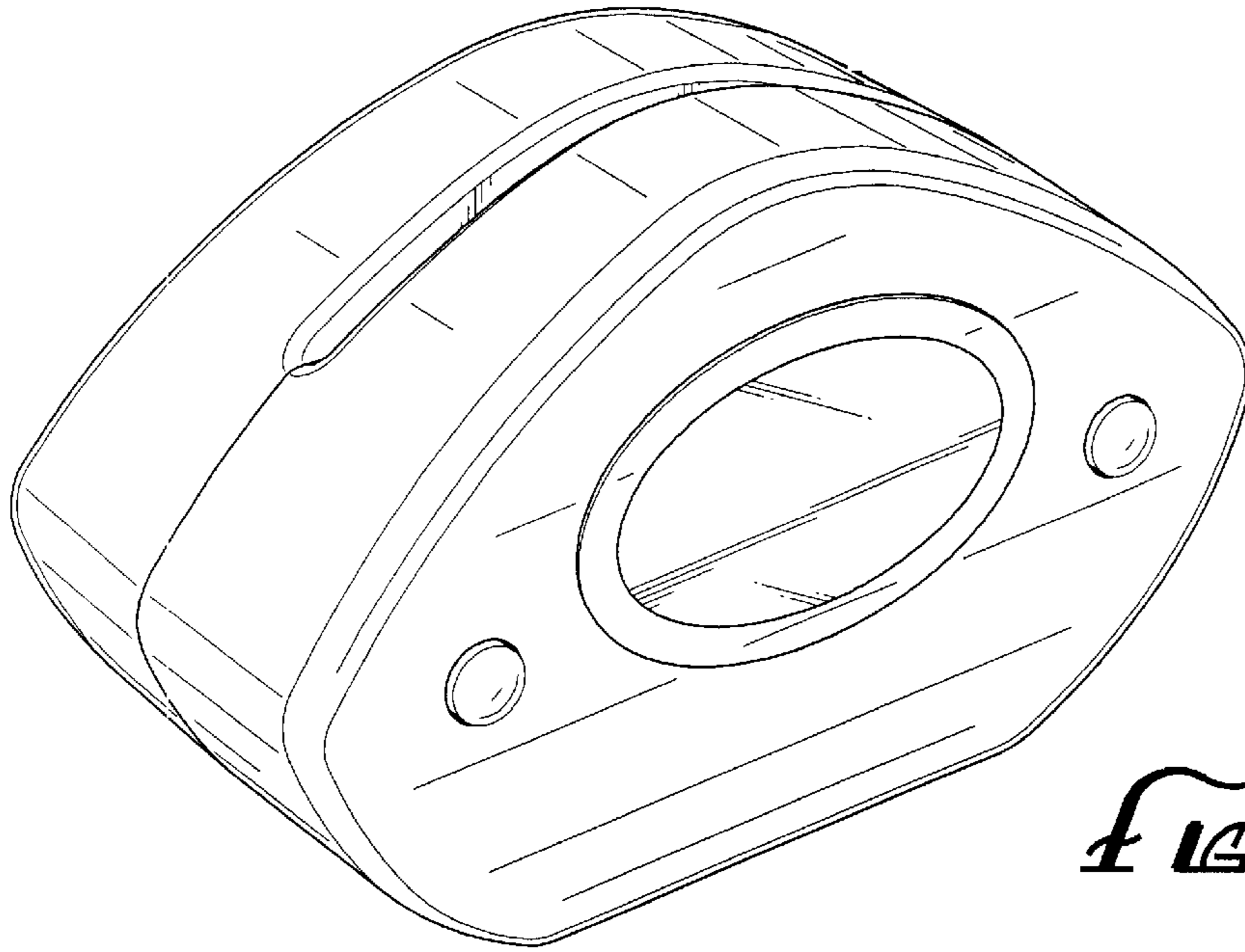


FIG. 1

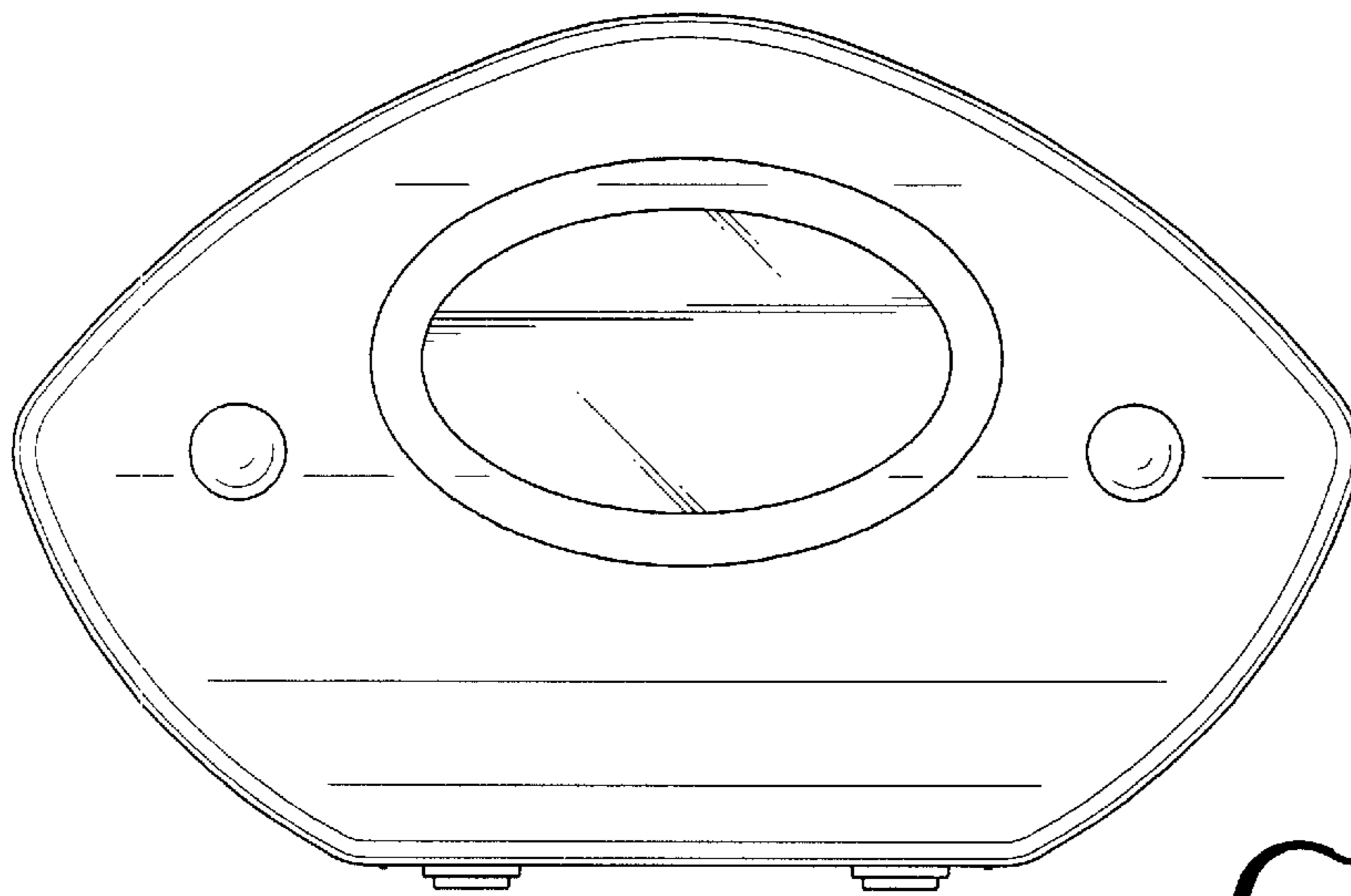


FIG. 2

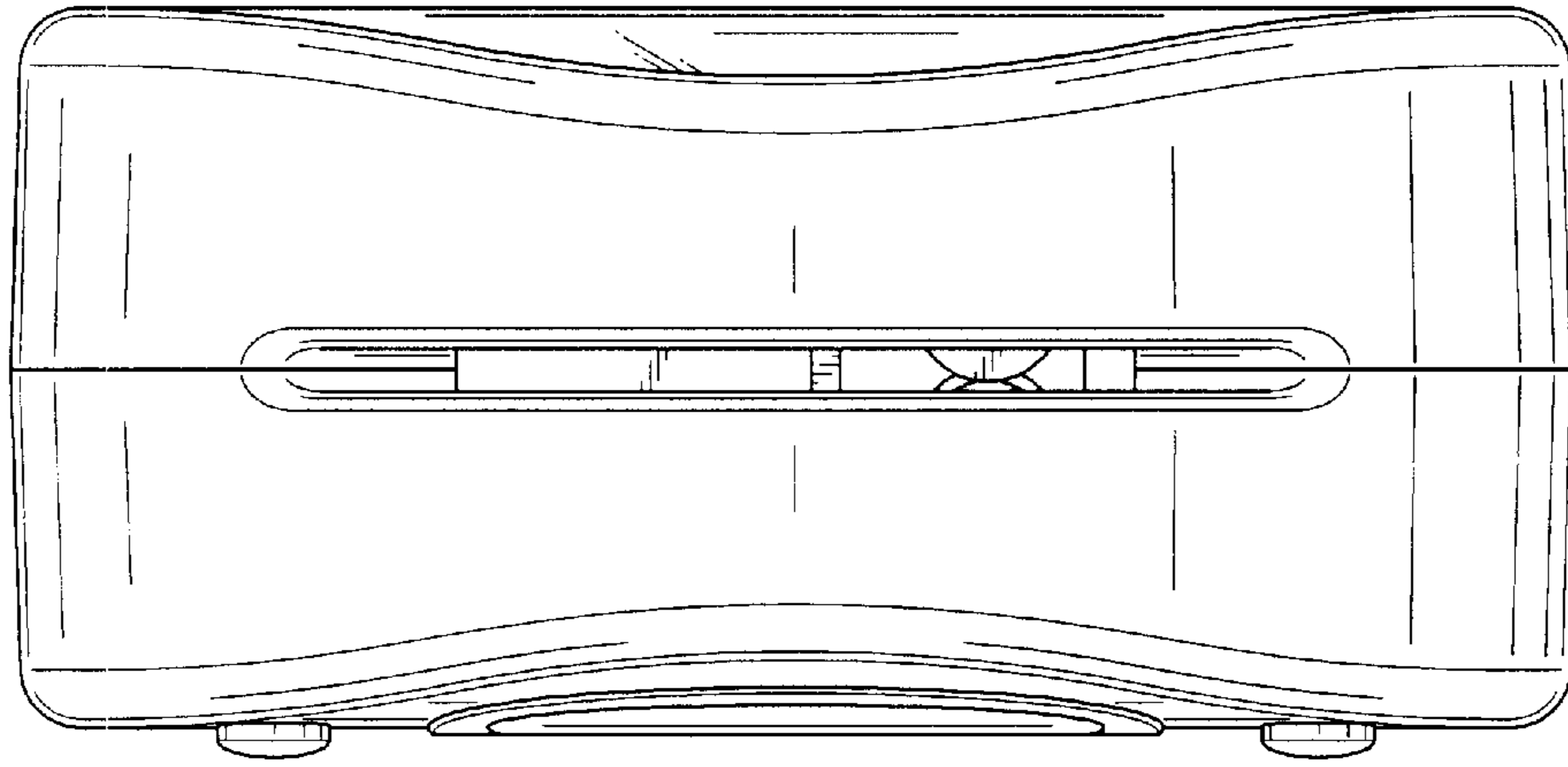


FIG. 3

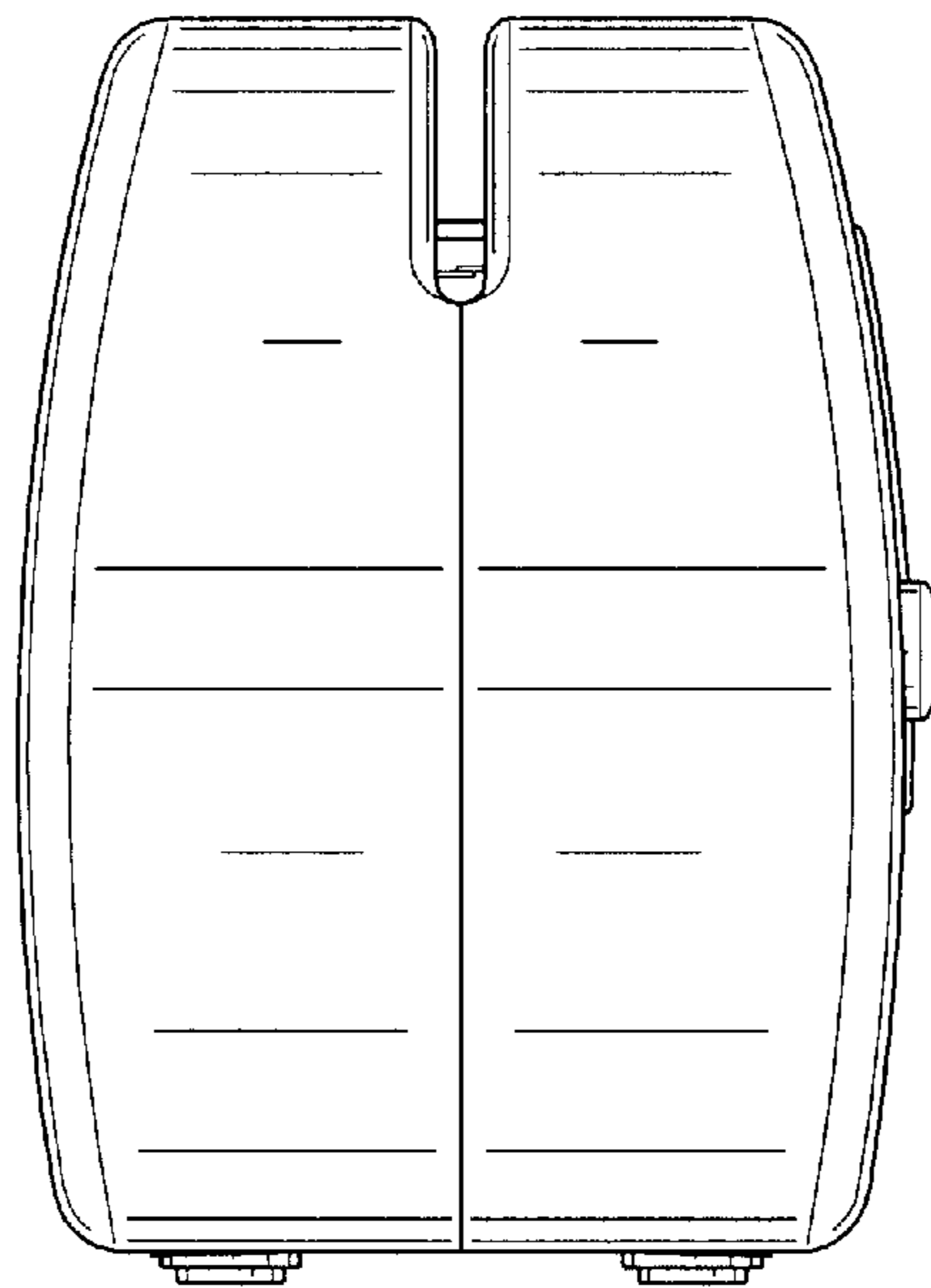


FIG. 4

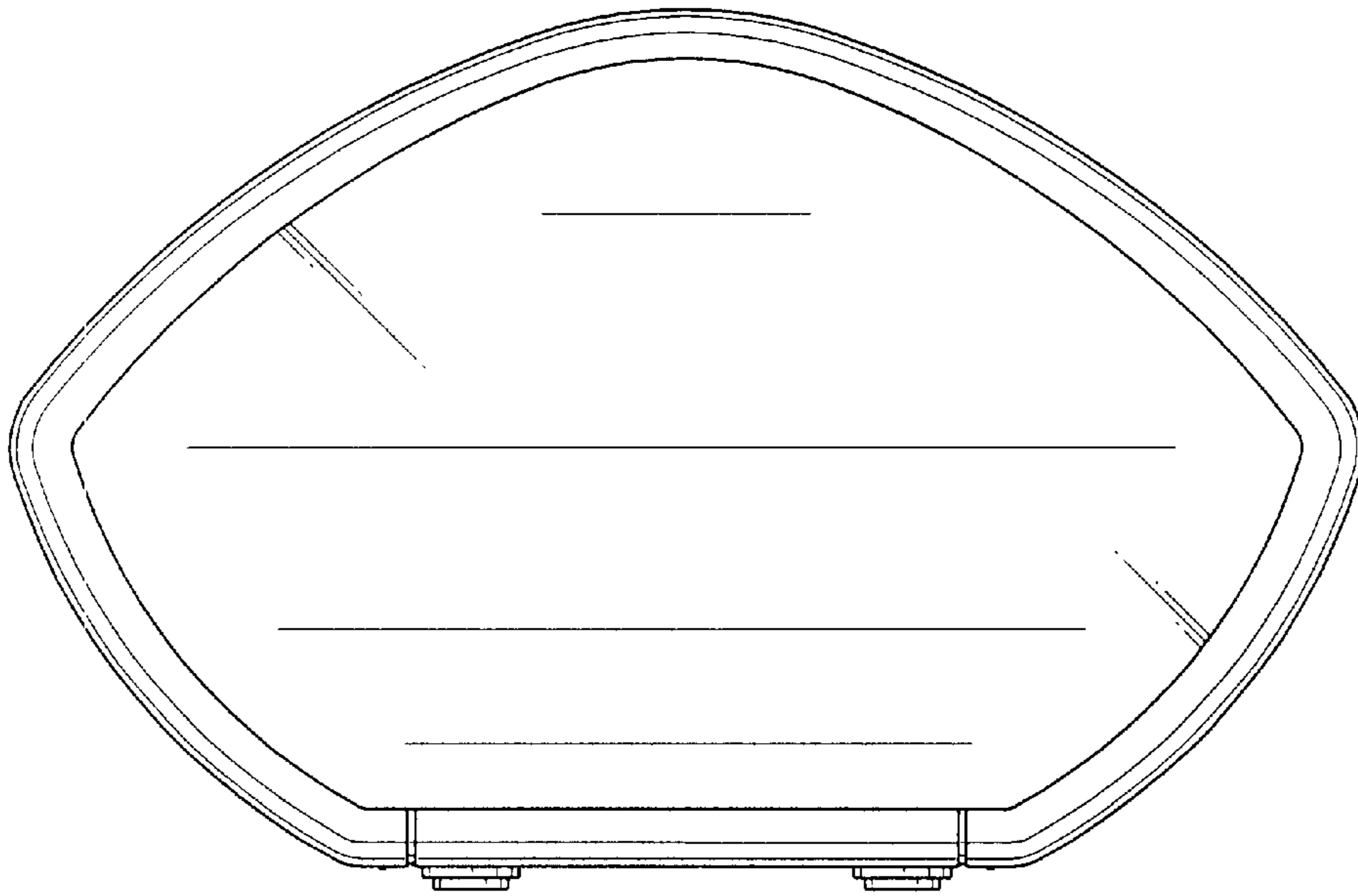


FIG. 5

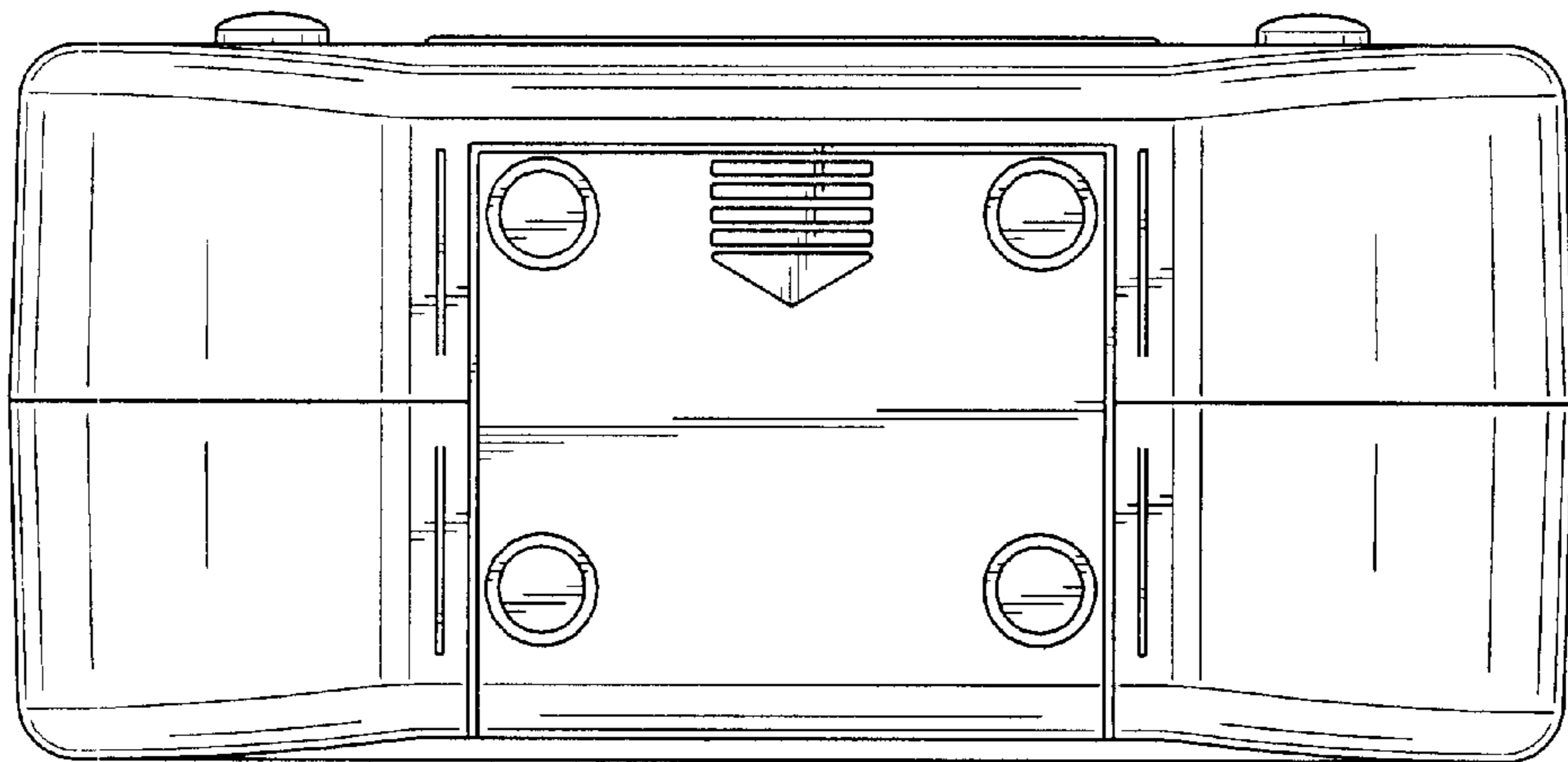


FIG. 6