



US00D532697S

(12) **United States Design Patent**  
**Francis**

(10) **Patent No.:** **US D532,697 S**

(45) **Date of Patent:** **\*\* Nov. 28, 2006**

(54) **JAR**

(75) Inventor: **David Francis**, Paddington (AU)

(73) Assignee: **Cerebos (Australia) Limited**, Seven Hills (AU)

(\*\*) Term: **14 Years**

(21) Appl. No.: **29/225,845**

(22) Filed: **Mar. 22, 2005**

(51) **LOC (8) Cl.** ..... **09-01**

(52) **U.S. Cl.** ..... **D9/571; D9/574; D9/520**

(58) **Field of Classification Search** ..... D9/511,  
D9/513, 515-516, 520, 529-530, 542-545,  
D9/549-552, 558, 563-565, 571-575, 682,  
D9/686, 689-693, 723-725, 728-729; 215/381-385;  
220/660, 669

See application file for complete search history.

(56) **References Cited**

**U.S. PATENT DOCUMENTS**

D86,730 S \* 4/1932 McDonald ..... D9/573

D234,041 S \* 1/1975 Jacobs ..... D9/542  
D374,176 S \* 10/1996 Sillince et al. .... D9/719  
D426,775 S \* 6/2000 Zimmer et al. .... D9/542  
D517,424 S \* 3/2006 Martos Sanchez ..... D9/682

\* cited by examiner

*Primary Examiner*—Terry A. Wallace

*Assistant Examiner*—Dana Sipos

(74) *Attorney, Agent, or Firm*—Duane Morris, LLP

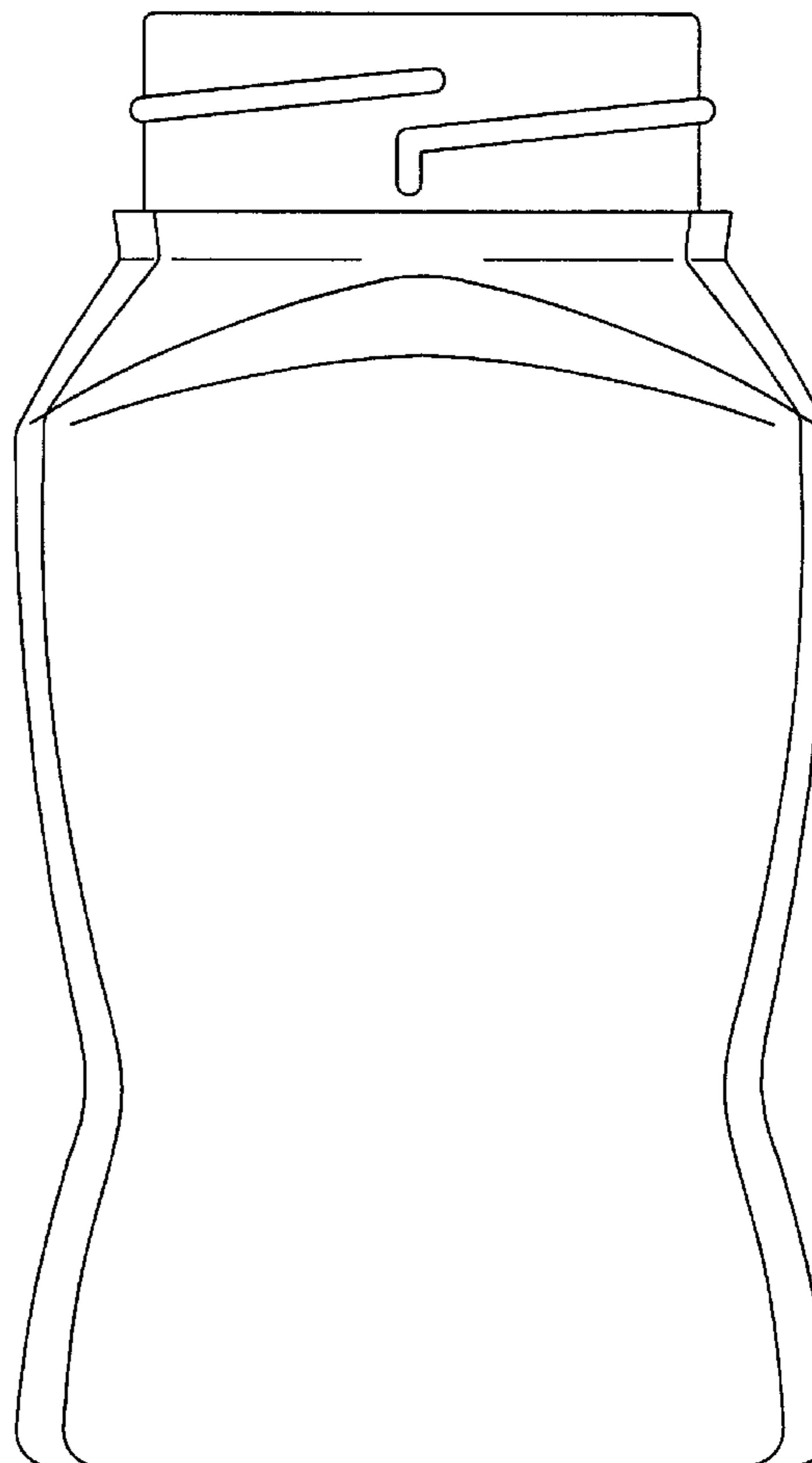
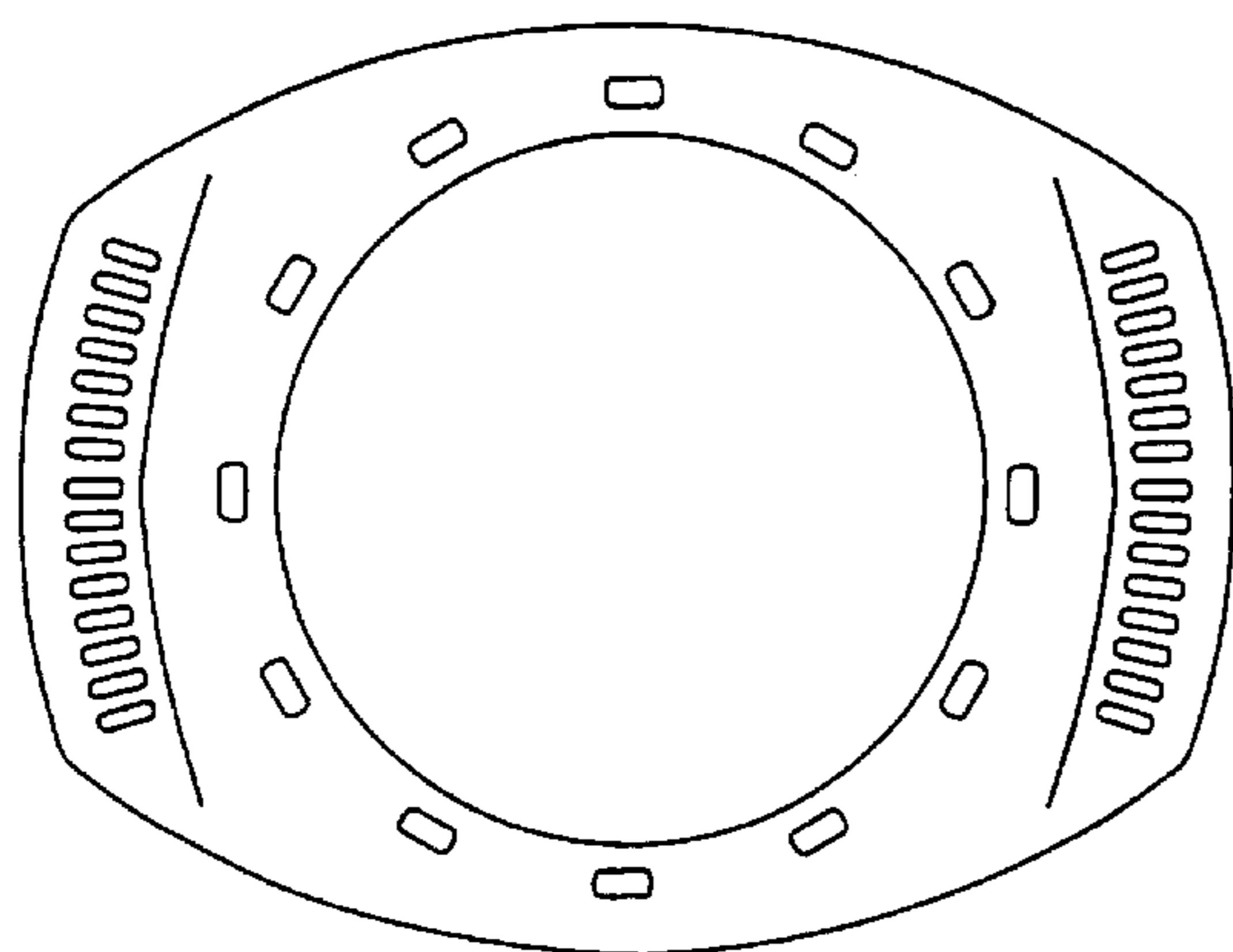
(57) **CLAIM**

The ornamental design for a jar, as shown and described.

**DESCRIPTION**

FIG. 1 is a perspective view of the jar;  
FIG. 2 is a top plan view of the jar;  
FIG. 3 is a bottom plan view of the jar;  
FIG. 4 is a front view of the jar; and,  
FIG. 5 is a side view of the jar.

**1 Claim, 2 Drawing Sheets**



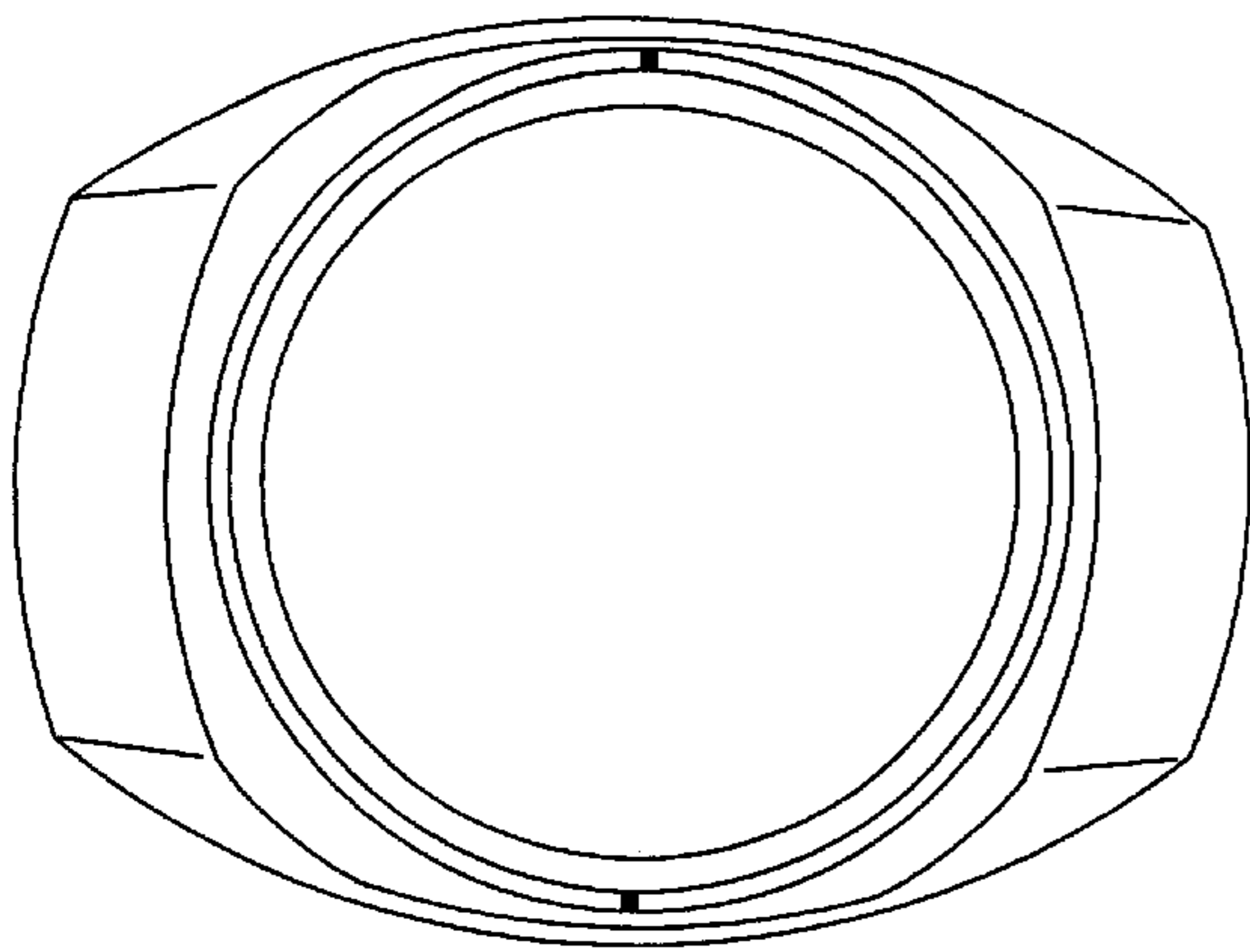


Figure 2

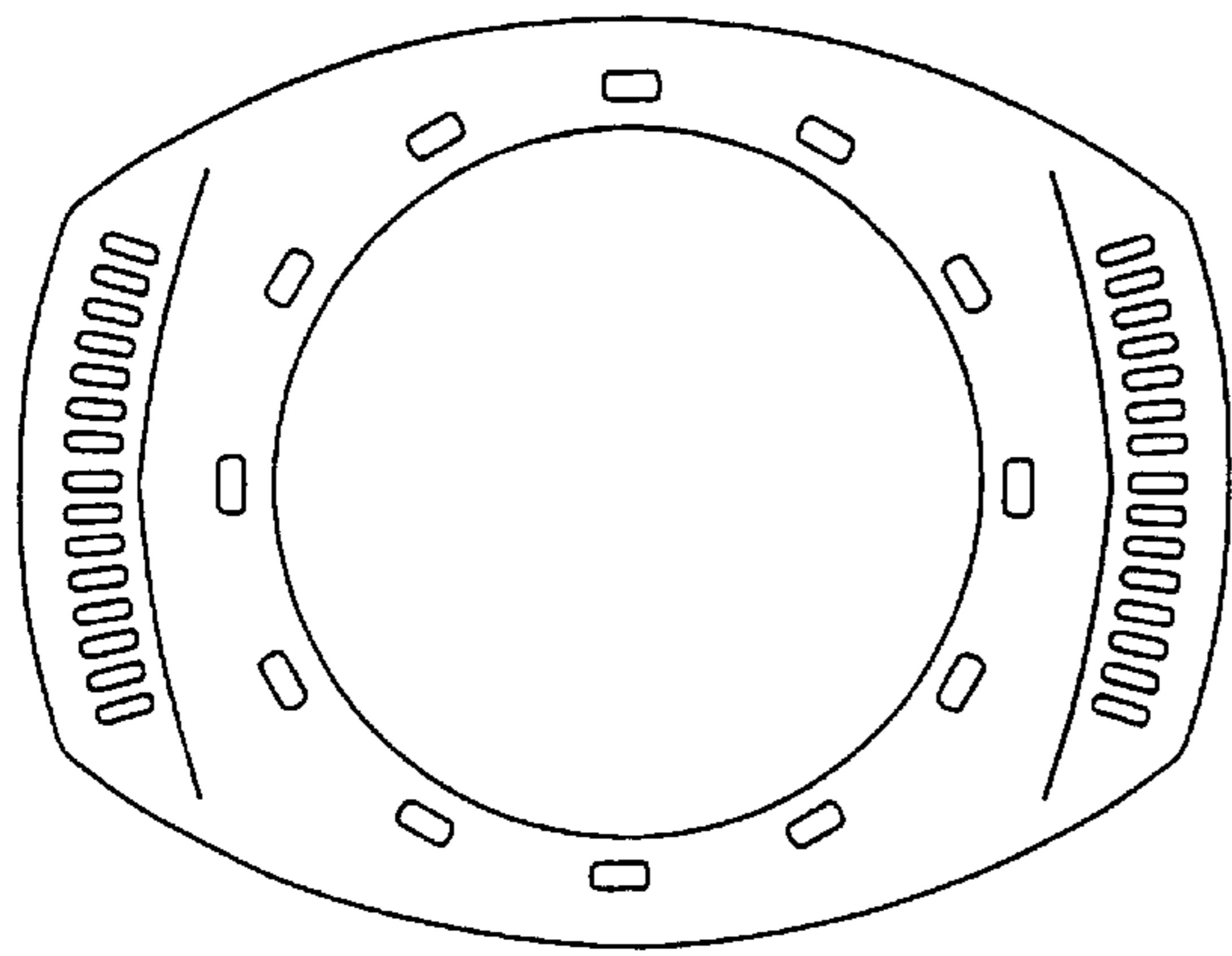


Figure 3

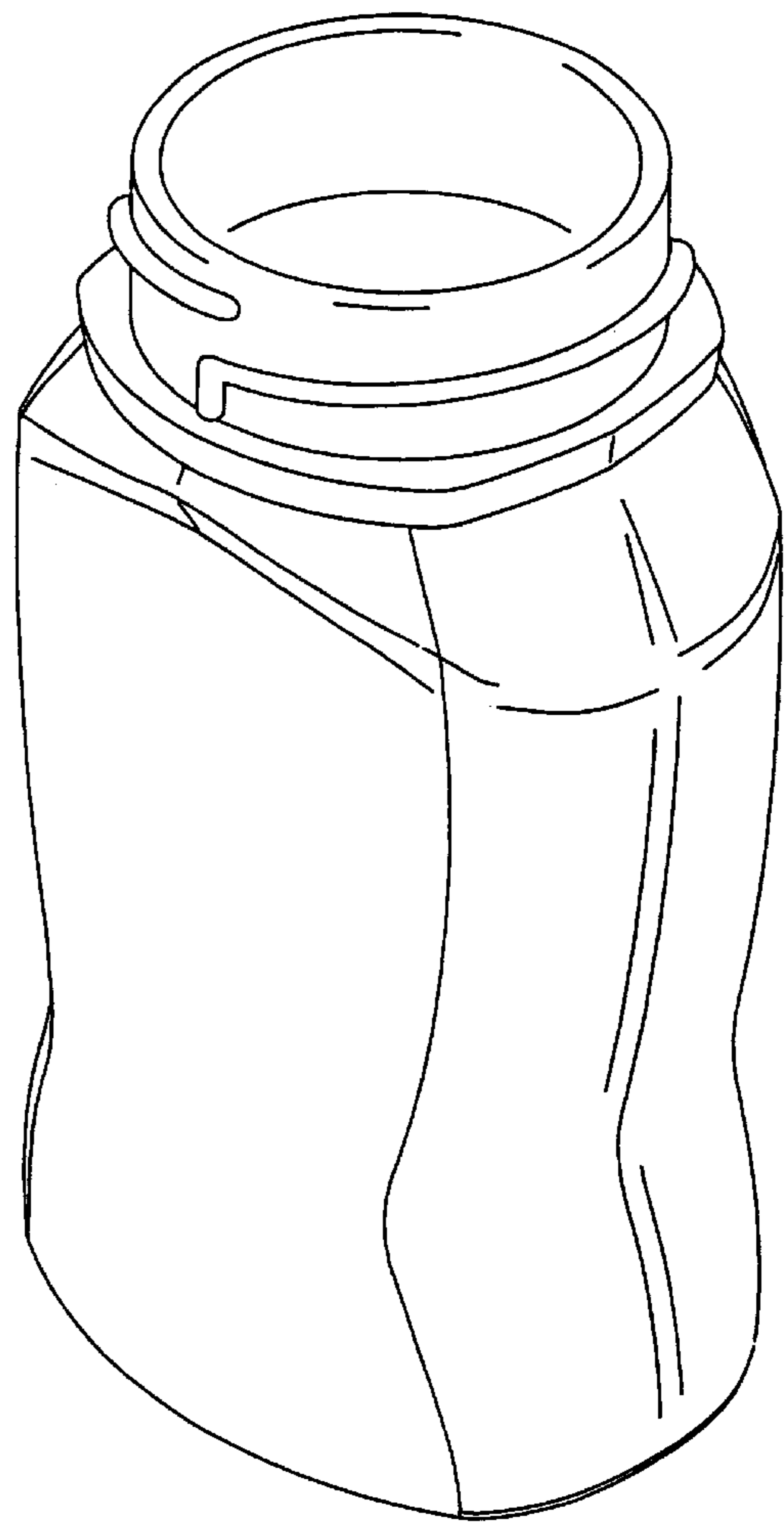


Figure 1

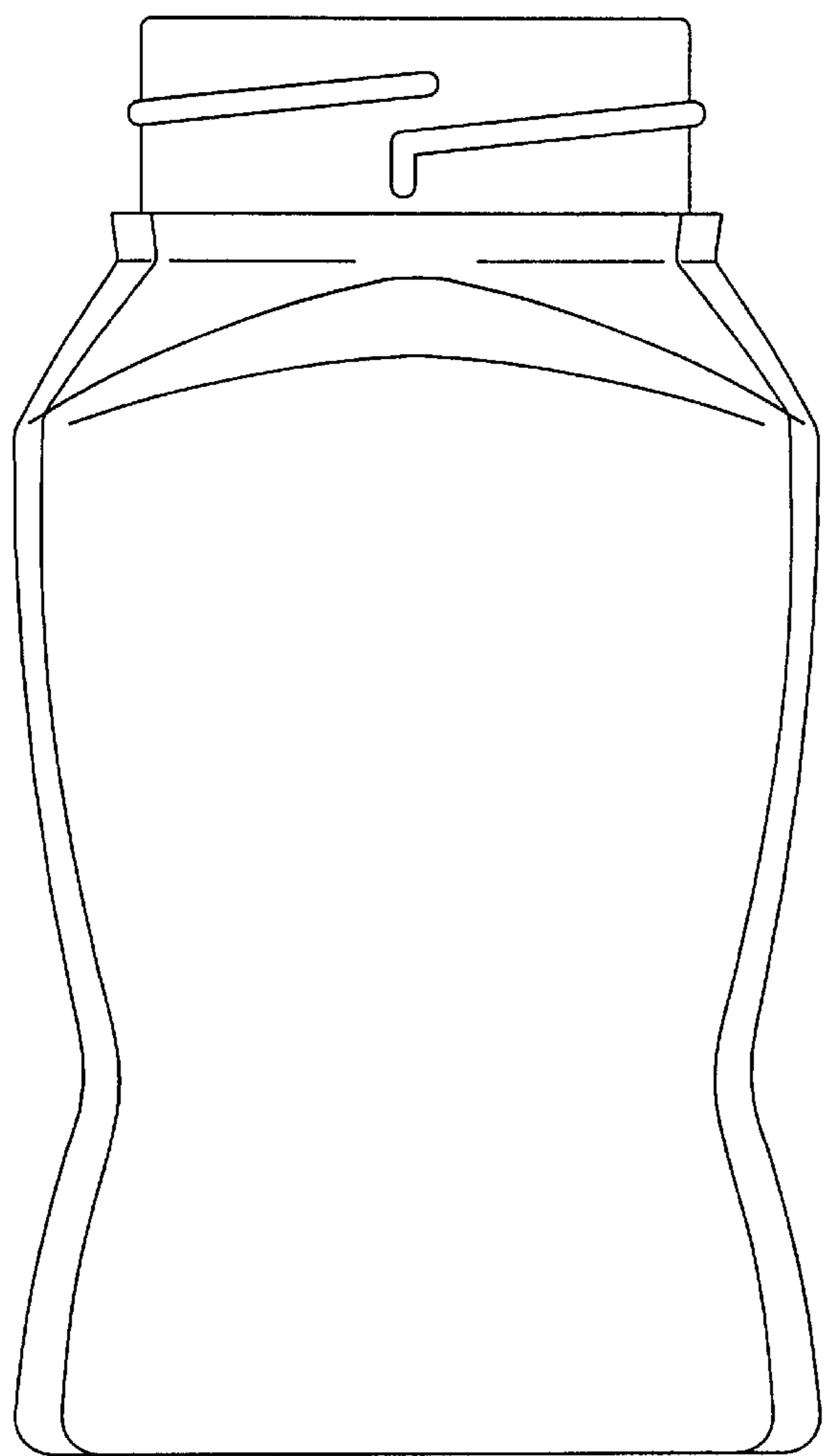


Figure 4

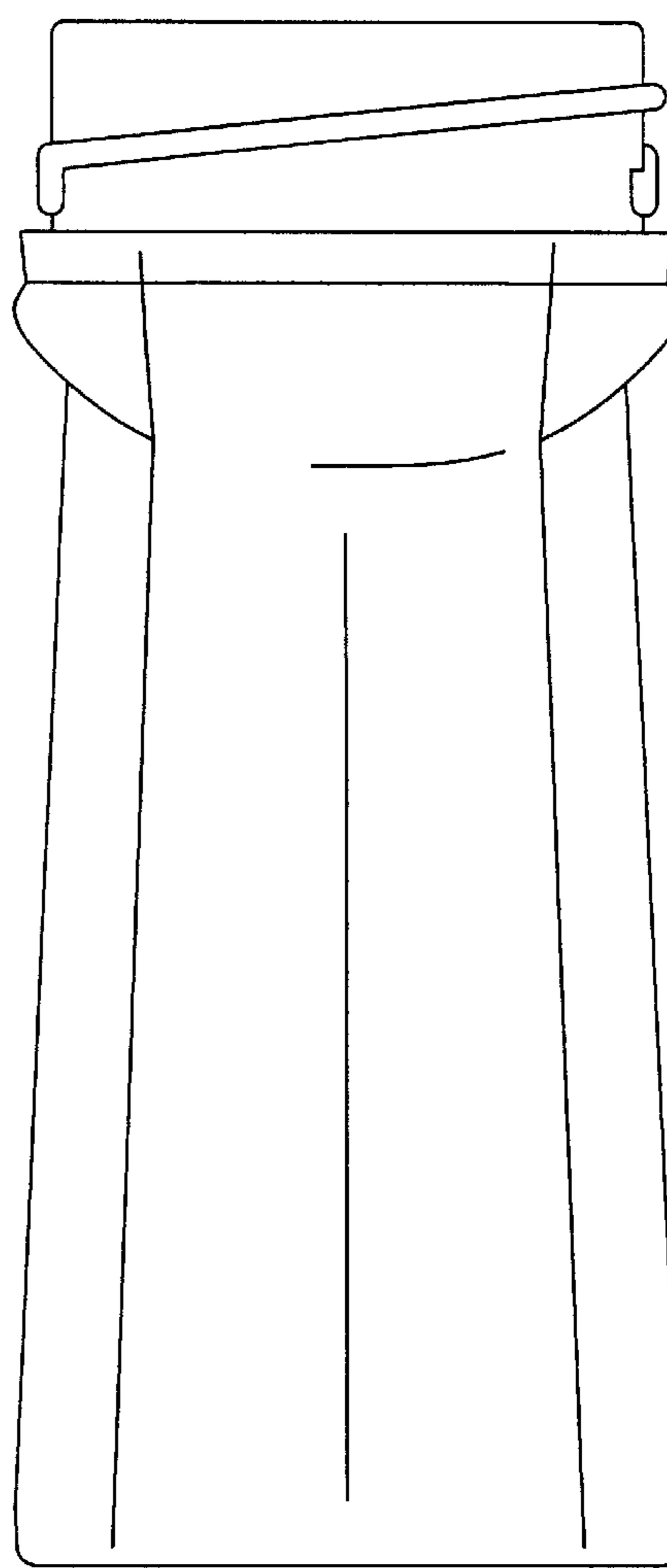


Figure 5