



US00D532696S

(12) **United States Design Patent**
Boudard

(10) **Patent No.:** **US D532,696 S**

(45) **Date of Patent:** **** Nov. 28, 2006**

(54) **BOTTLE**

(75) Inventor: **Denis Boudard**, Levallois-Perret (FR)

(73) Assignee: **The Procter & Gamble Company**,
Cincinnati, OH (US)

(**) Term: **14 Years**

(21) Appl. No.: **29/229,977**

(22) Filed: **May 13, 2005**

(30) **Foreign Application Priority Data**

Nov. 15, 2004 (EM) 000253083

(51) **LOC (8) Cl.** **09-01**

(52) **U.S. Cl.** **D9/544; D9/562; D9/574**

(58) **Field of Classification Search** D9/439,
D9/516, 544, 560, 562, 571-574, 687-692,
D9/694; 215/355, 379, 382; 220/660, 662,
220/669

See application file for complete search history.

(56) **References Cited**

U.S. PATENT DOCUMENTS

- D247,283 S * 2/1978 Weckman D9/544
- D292,673 S * 11/1987 Woodruff et al. D9/439
- D292,674 S * 11/1987 Morris et al. D9/439
- D363,226 S * 10/1995 Trussardi D9/544

- D365,992 S * 1/1996 Trussardi D9/544
- D424,940 S * 5/2000 Degnen D9/454
- D461,419 S * 8/2002 Burger D9/545
- D497,555 S * 10/2004 Lecoule D9/572

FOREIGN PATENT DOCUMENTS

GB 2036687 * 6/1994

* cited by examiner

Primary Examiner—Ian Simmons

Assistant Examiner—Dana Sipos

(74) *Attorney, Agent, or Firm*—Andrew J. Hagerty; Kenya
T. Pierre; Tara M. Rosnell

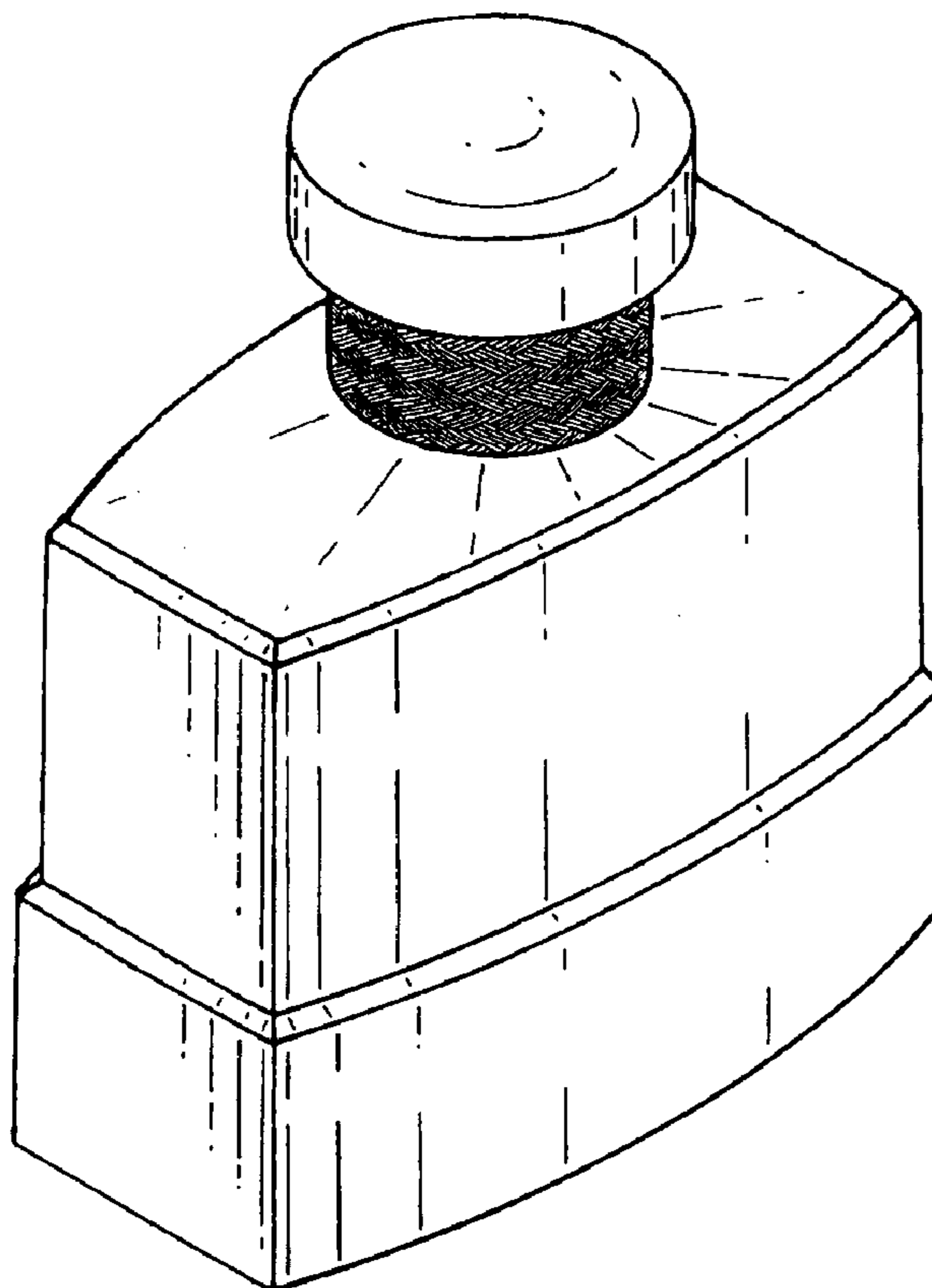
(57) **CLAIM**

I claim the ornamental design for a bottle, as shown and described.

DESCRIPTION

FIG. 1 is a front perspective view of a bottle;
FIG. 2 is a front elevational view of the bottle of FIG. 1;
FIG. 3 is a left side elevational view of the bottle of FIG. 1;
FIG. 4 is a rear elevational view of the bottle of FIG. 1;
FIG. 5 is a right side elevational view of the bottle of FIG. 1;
FIG. 6 is a top plan view of the bottle of FIG. 1; and,
FIG. 7 is a bottom plan view of the bottle of FIG. 1.

1 Claim, 2 Drawing Sheets



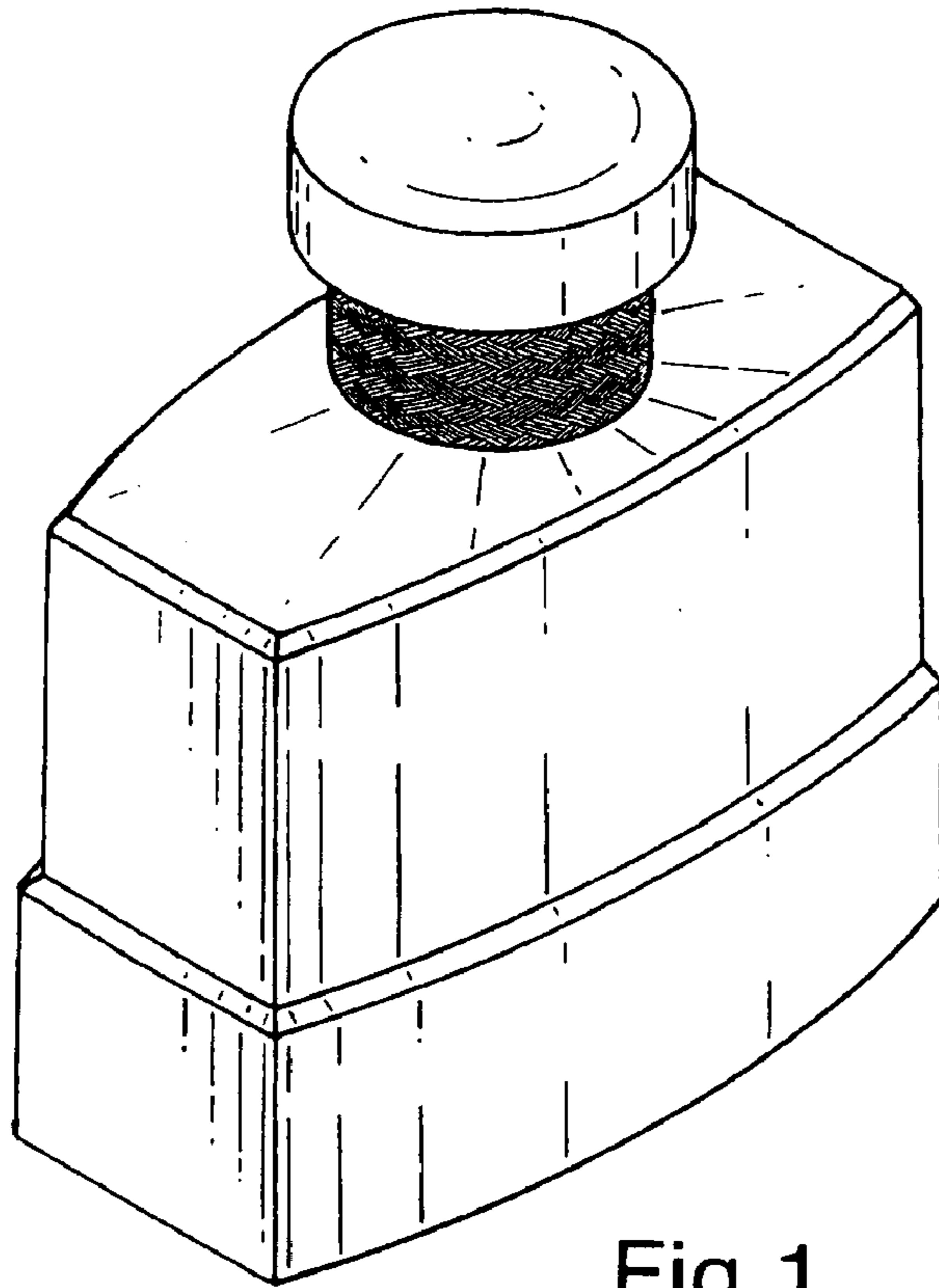


Fig. 1.

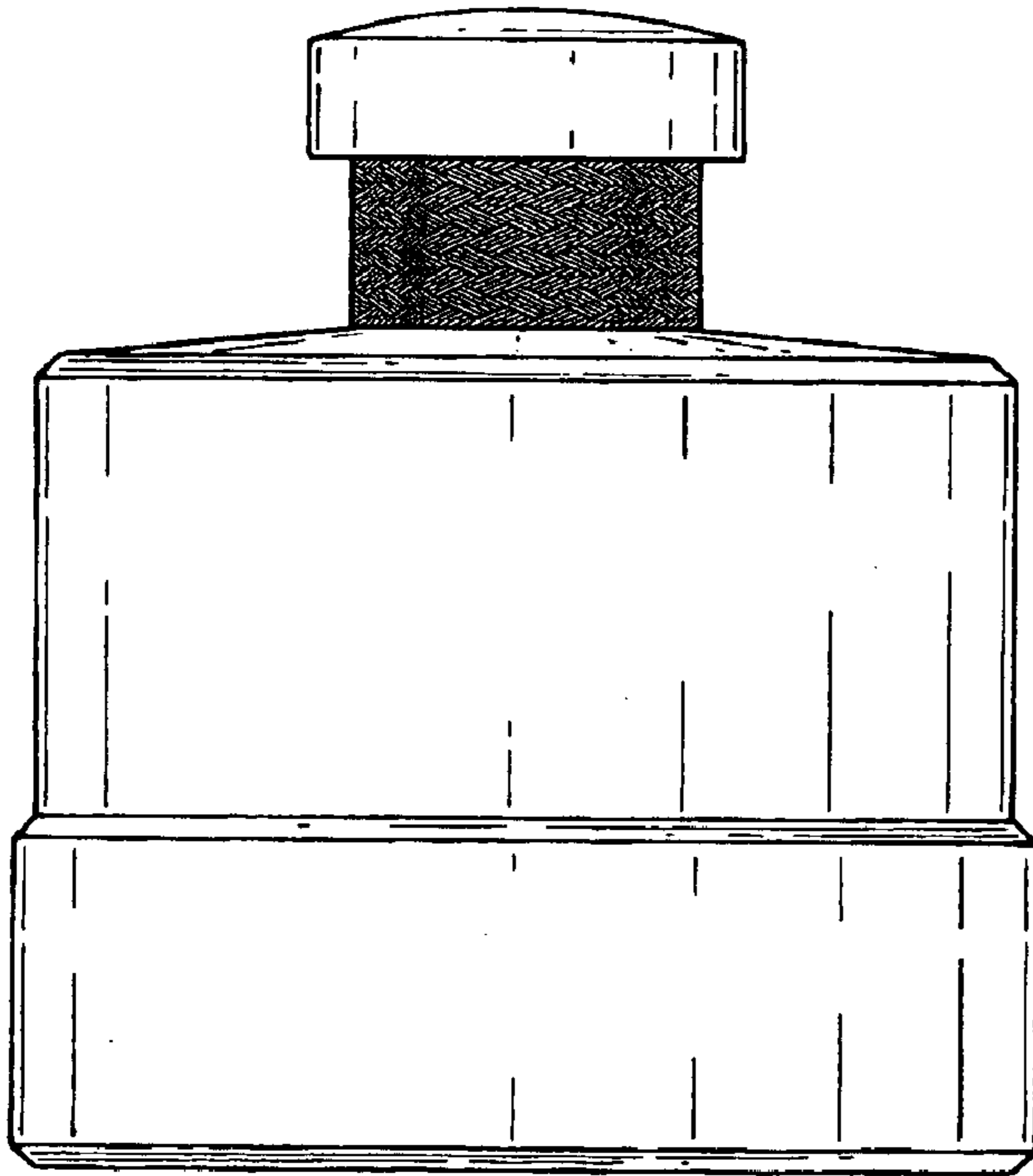


Fig. 2.

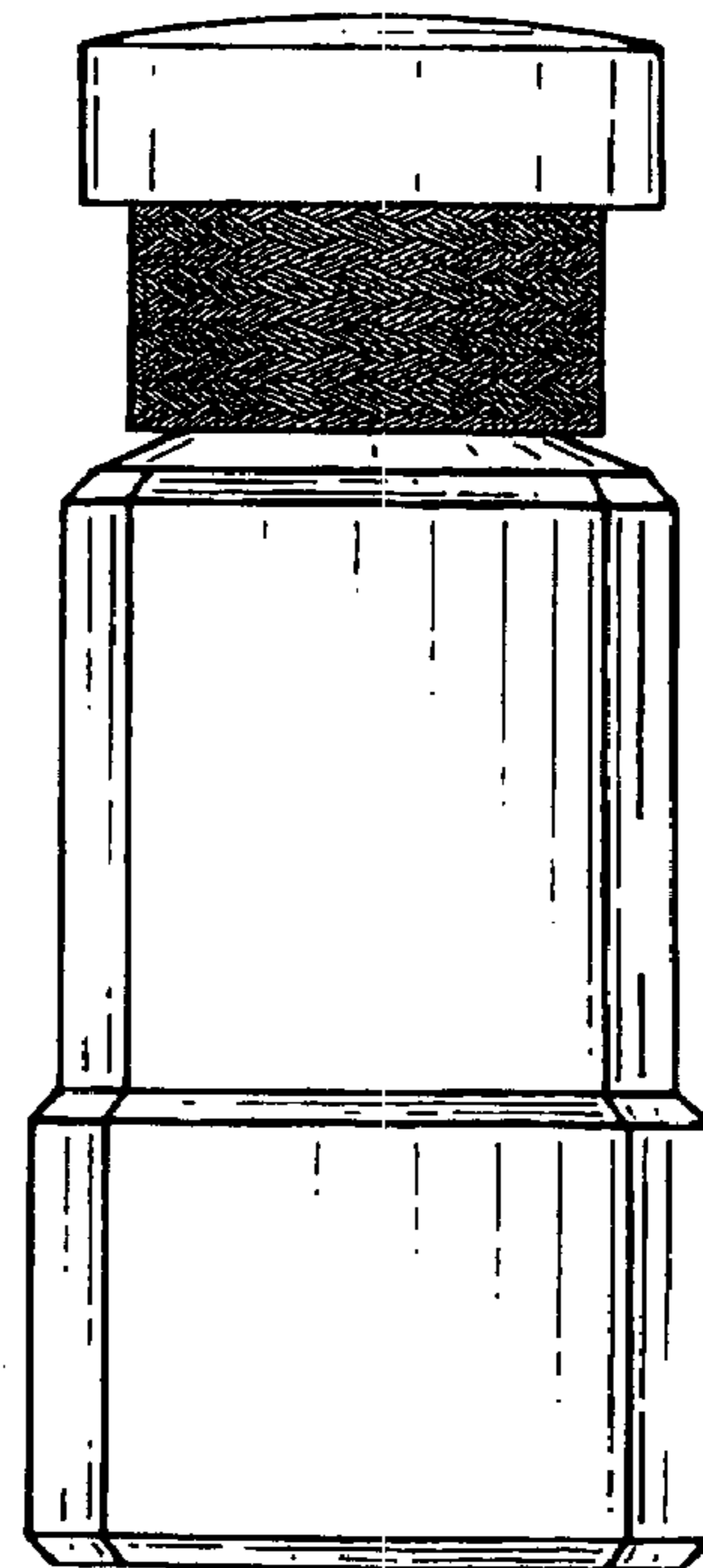


Fig. 3.

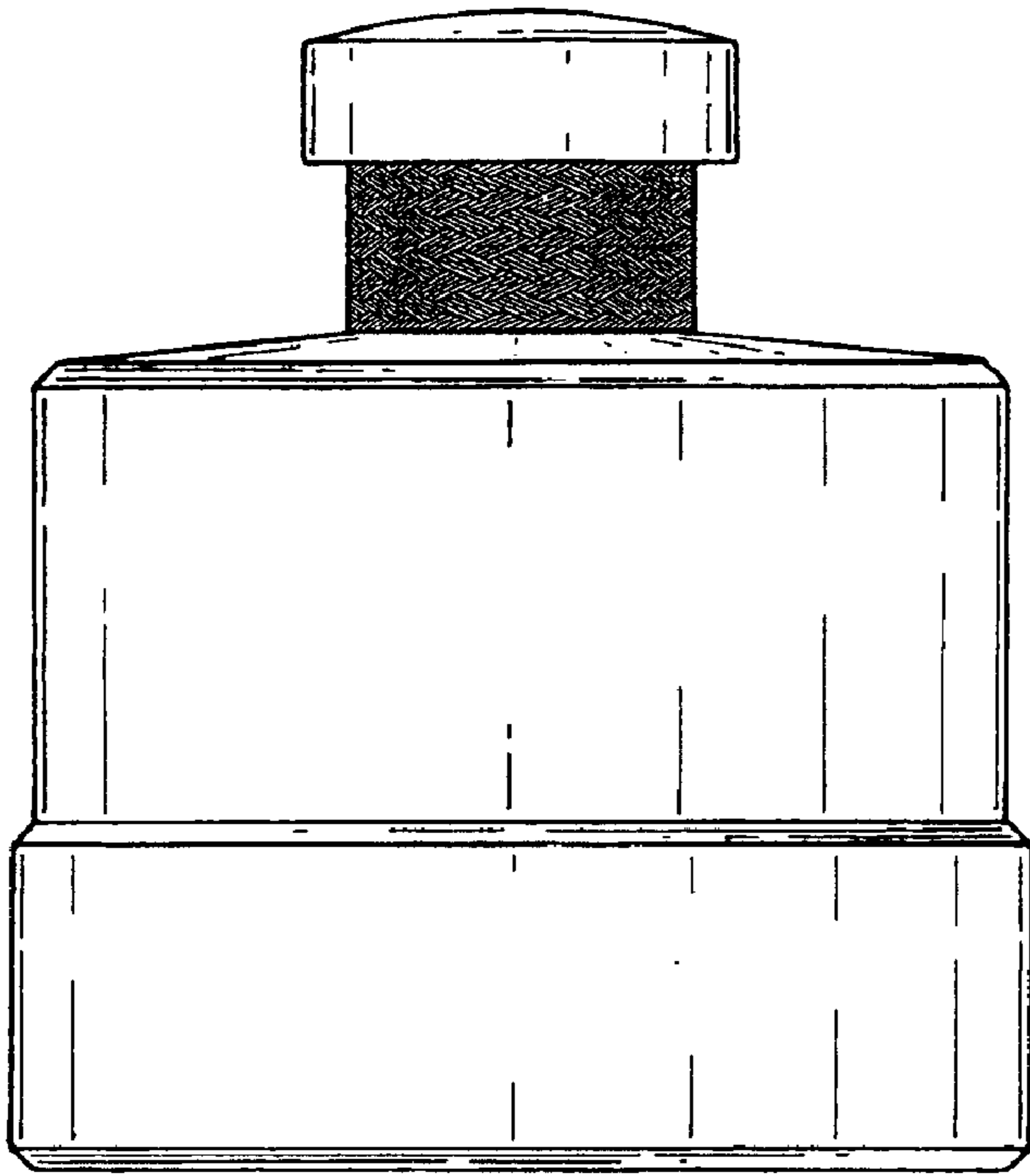


Fig.4.

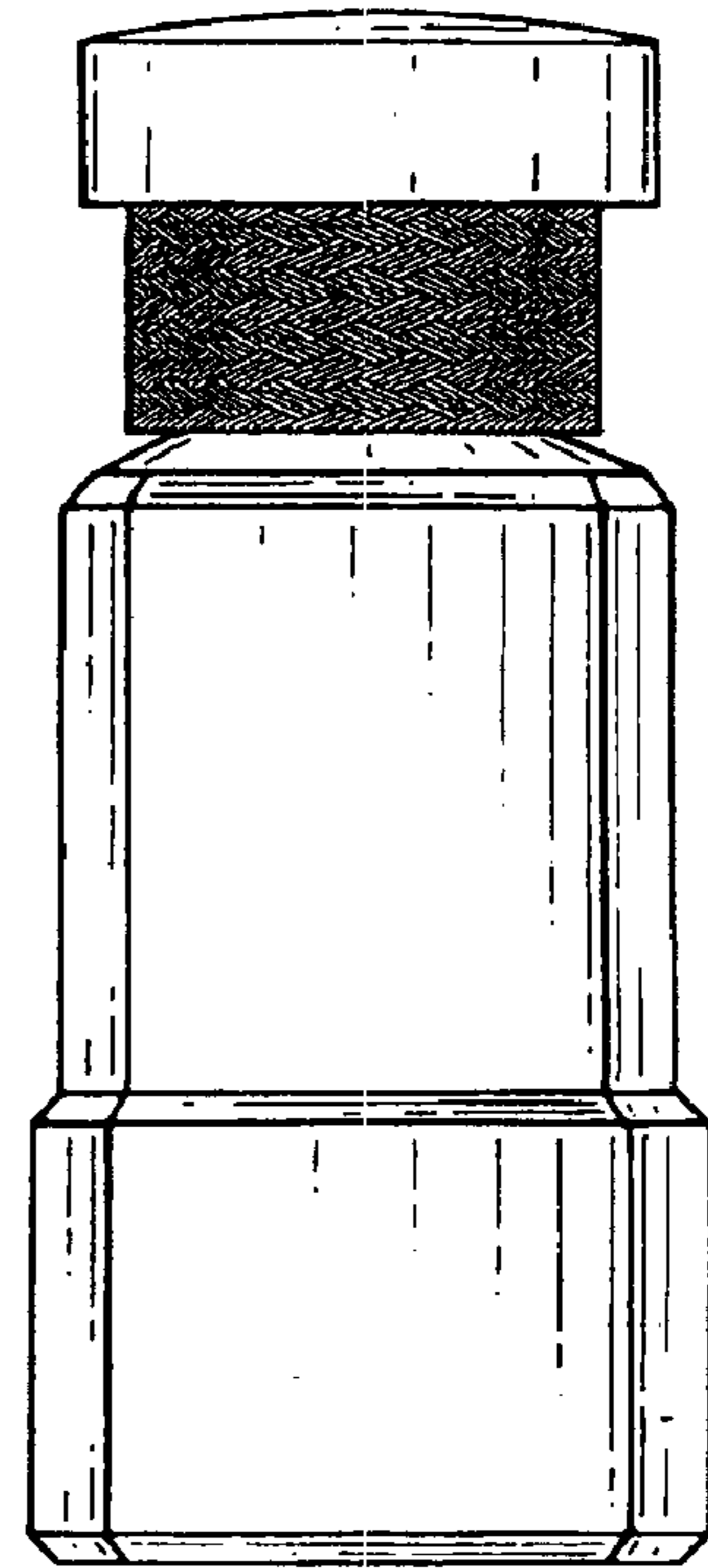


Fig.5.

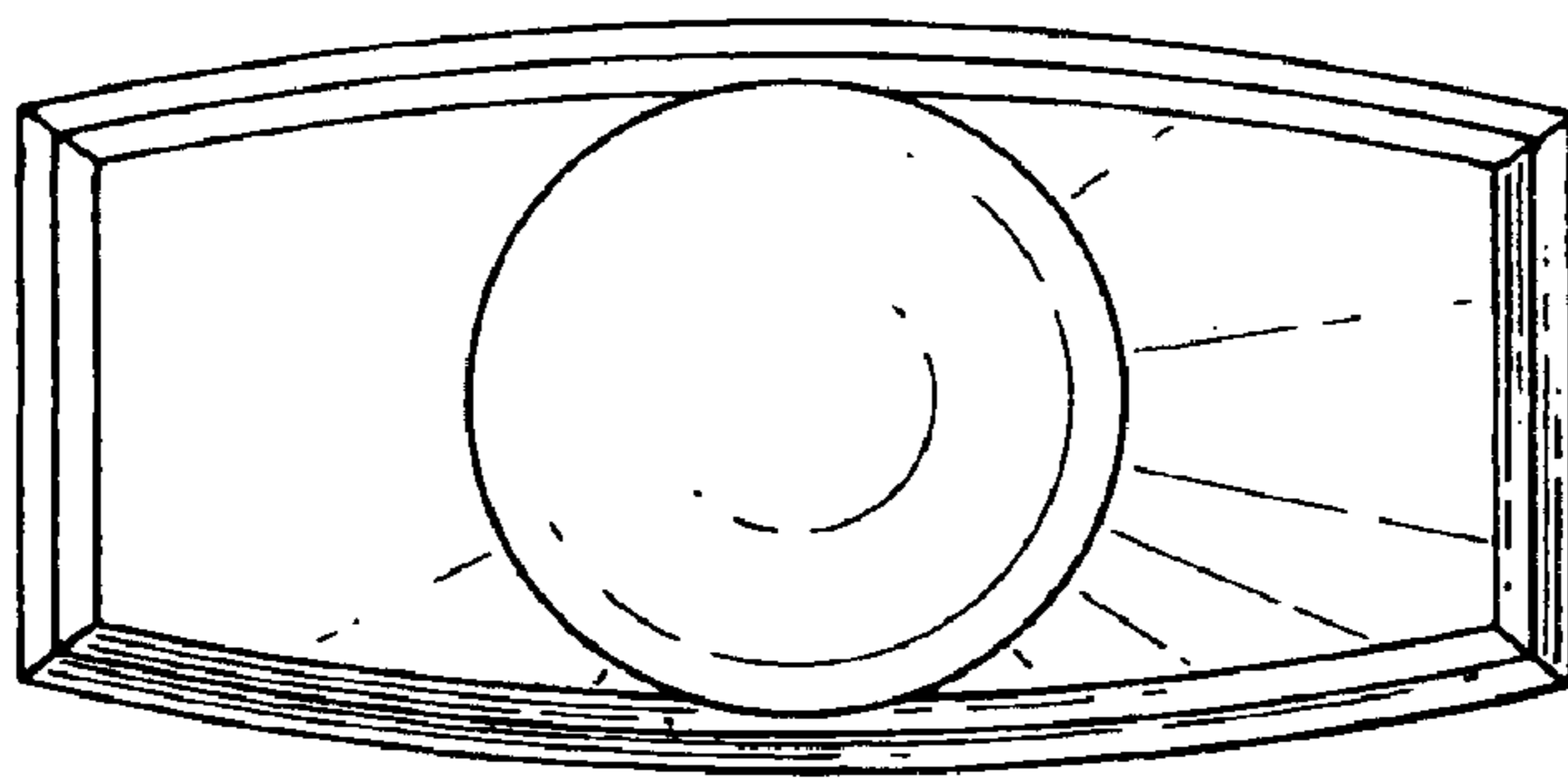


Fig.6.



Fig.7.