



US00D532695S

(12) **United States Design Patent Grant**

(10) **Patent No.:** **US D532,695 S**

(45) **Date of Patent:** **\*\* Nov. 28, 2006**

(54) **SPRAY DISPENSER**

D509,435 S \* 9/2005 Rosson ..... D9/529

(75) Inventor: **Bradford S. Grant**, Bridgewater, NJ (US)

FOREIGN PATENT DOCUMENTS

(73) Assignee: **Warner-Lambert Company LLC**, Morris Plains, NJ (US)

DE	743116.8	U1	9/1974
DE	9217863.4	U1	12/1992
EP	0141725	A1	10/1984
EP	670186	A2	12/1990
EP	0601348	A1	11/1993
FR	2545382		11/1984
FR	2702195	A1	3/1993
FR	2545382	A1	5/1993
WO	WO9210408	A1	6/1992

(\*\*) Term: **14 Years**

(21) Appl. No.: **29/211,399**

(22) Filed: **Aug. 16, 2004**

OTHER PUBLICATIONS

(51) **LOC (8) Cl.** ..... **09-01**

U.S. Appl. No. 29/211,407, filed Aug. 16, 2004, Bradford Grant.

(52) **U.S. Cl.** ..... **D9/521; D9/551; D9/558; D9/682**

U.S. Appl. No. 29/221,406, filed Aug. 16, 2004, Bradford Grant.

(58) **Field of Classification Search** ..... D9/414, D9/435, 443, 445, 448, 516, 521, 529, 530, D9/535, 549, 551, 553, 558, 566, 572-573, D9/682, 686-694; D28/7, 76, 91.1; D23/366; D3/215; 222/321.1-321.9; 215/382-384, 215/396, 398; D24/110

See application file for complete search history.

(Continued)

*Primary Examiner*—Carol Rademaker

(74) *Attorney, Agent, or Firm*—Evan J. Federman; Darryl C. Little; Karen G. Horowitz

(56) **References Cited**

U.S. PATENT DOCUMENTS

1,794,385	A	*	3/1931	McAtree	.....	401/60
D274,308	S	*	6/1984	Roger	.....	D9/529
D278,207	S	*	4/1985	McLaughlin	.....	D3/203.2
D288,491	S	*	2/1987	Speitel	.....	D28/91.1
D300,331	S	*	3/1989	Horntrich	.....	D19/43
D323,292	S	*	1/1992	Jones	.....	D9/529 X
D340,407	S	*	10/1993	Rahe et al.	.....	D9/529 X
5,307,960	A		5/1994	Fay, Sr.		
5,348,193	A		9/1994	Bruckner et al.		
D356,828	S	*	3/1995	Harris	.....	D9/521 X
5,477,990	A		12/1995	Saito et al.		
D375,455	S	*	11/1996	Uhl et al.	.....	D9/687
D407,644	S		4/1999	de Maillard et al.		
D441,640	S	*	5/2001	Reinoso	.....	D9/686
D449,978	S	*	11/2001	Viellard	.....	D9/687
D457,061	S		5/2002	Walters		
D486,387	S	*	2/2004	Lee et al.	.....	D9/719

(57) **CLAIM**

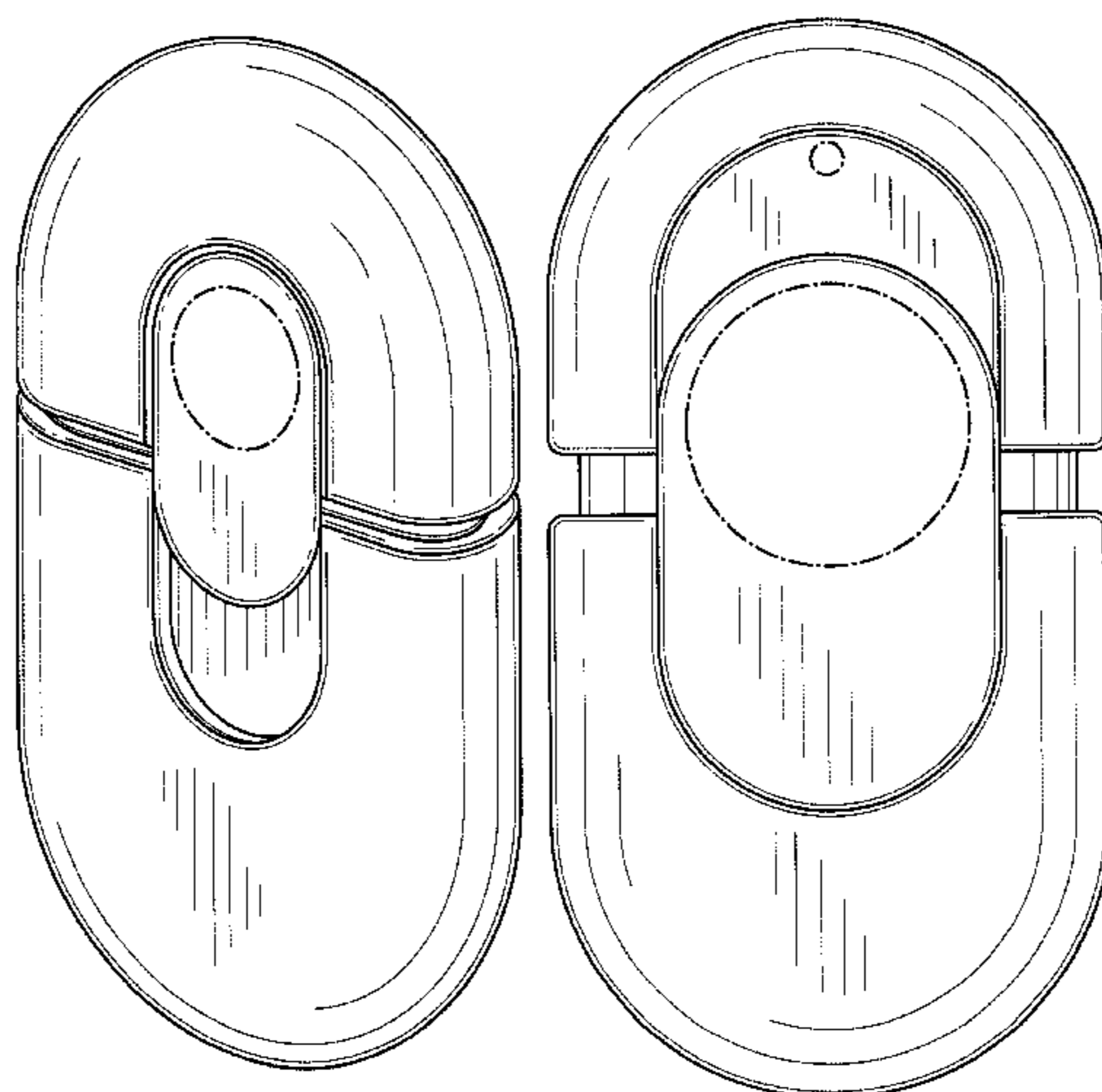
I claim the ornamental design for a spray dispenser, as shown and described.

**DESCRIPTION**

FIG. 1 is a front perspective view of the spray dispenser; FIG. 2 is a front elevational view of the spray dispenser shown in closed condition hiding the spray nozzle portion; FIG. 3 is a top plan view of the spray dispenser; FIG. 4 is a bottom plan view of the spray dispenser; FIG. 5 is a side elevational view of the spray dispenser; FIG. 6 is a rear elevational view of the spray dispenser; and, FIG. 7 is a front elevational view of the spray dispenser shown in opened condition showing the spray nozzle portion.

The broken lines in the drawings are for illustrative purposes only and form no part of the claimed design.

**1 Claim, 6 Drawing Sheets**



OTHER PUBLICATIONS

U.S. Appl. No. 29/211,409, filed Aug. 16, 2004, Bradford Grant.

U.S. Appl. No. 29/211,521, filed Aug. 16, 2004, Bradford Grant.

U.S. Appl. No. 29/211,388, filed Aug. 16, 2004, Mark Zeh et al.

U.S. Appl. No. 29/211,386, filed Aug. 16, 2004, Mark Zeh et al.

U.S. Appl. No. 60/601,876, filed Aug. 16, 2004, Bradford Grant.

U.S. Appl. No. 60/601,883, filed Aug. 16, 2004, Bradford Grant.

\* cited by examiner

FIG. 1

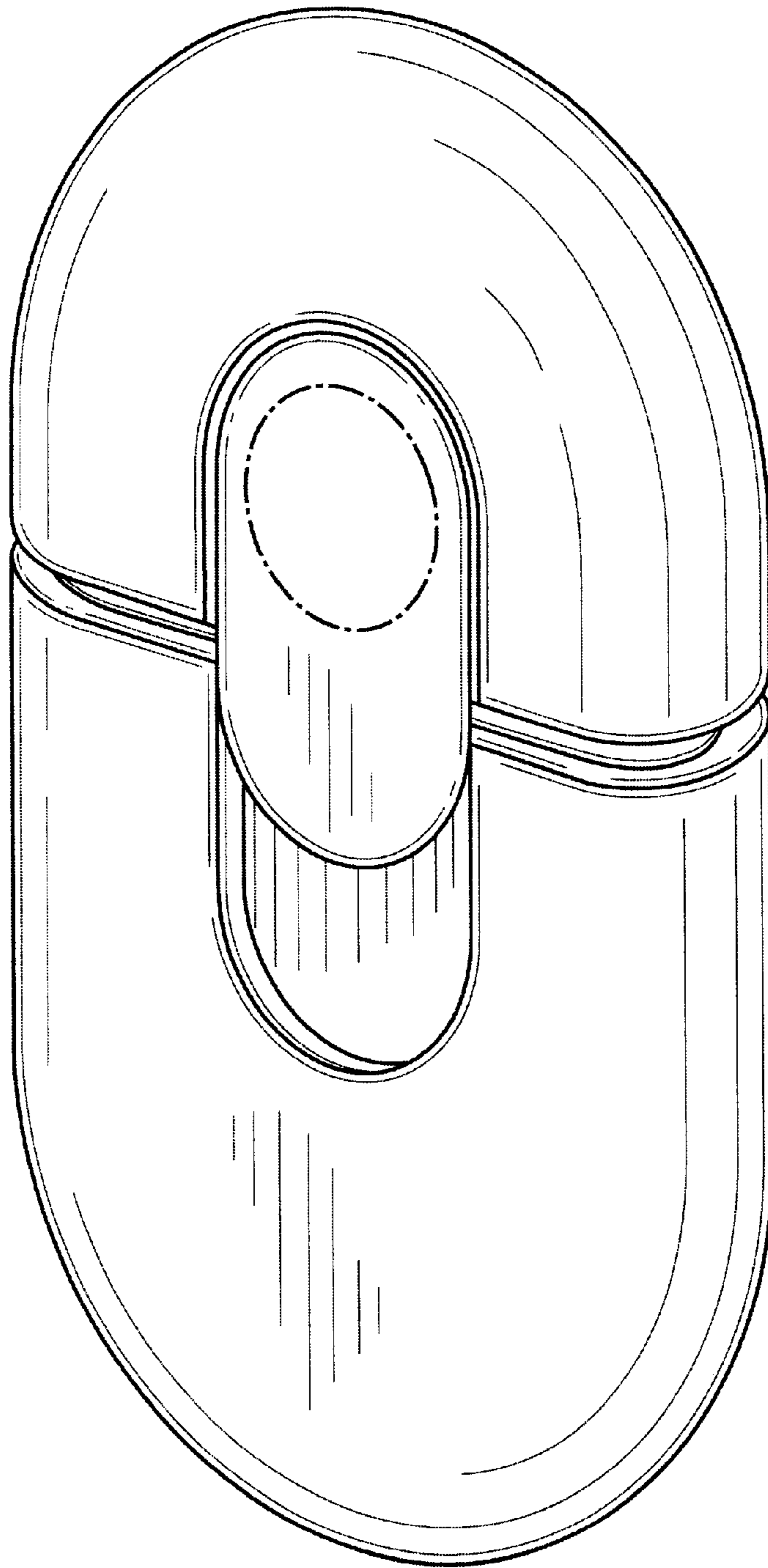


FIG. 2

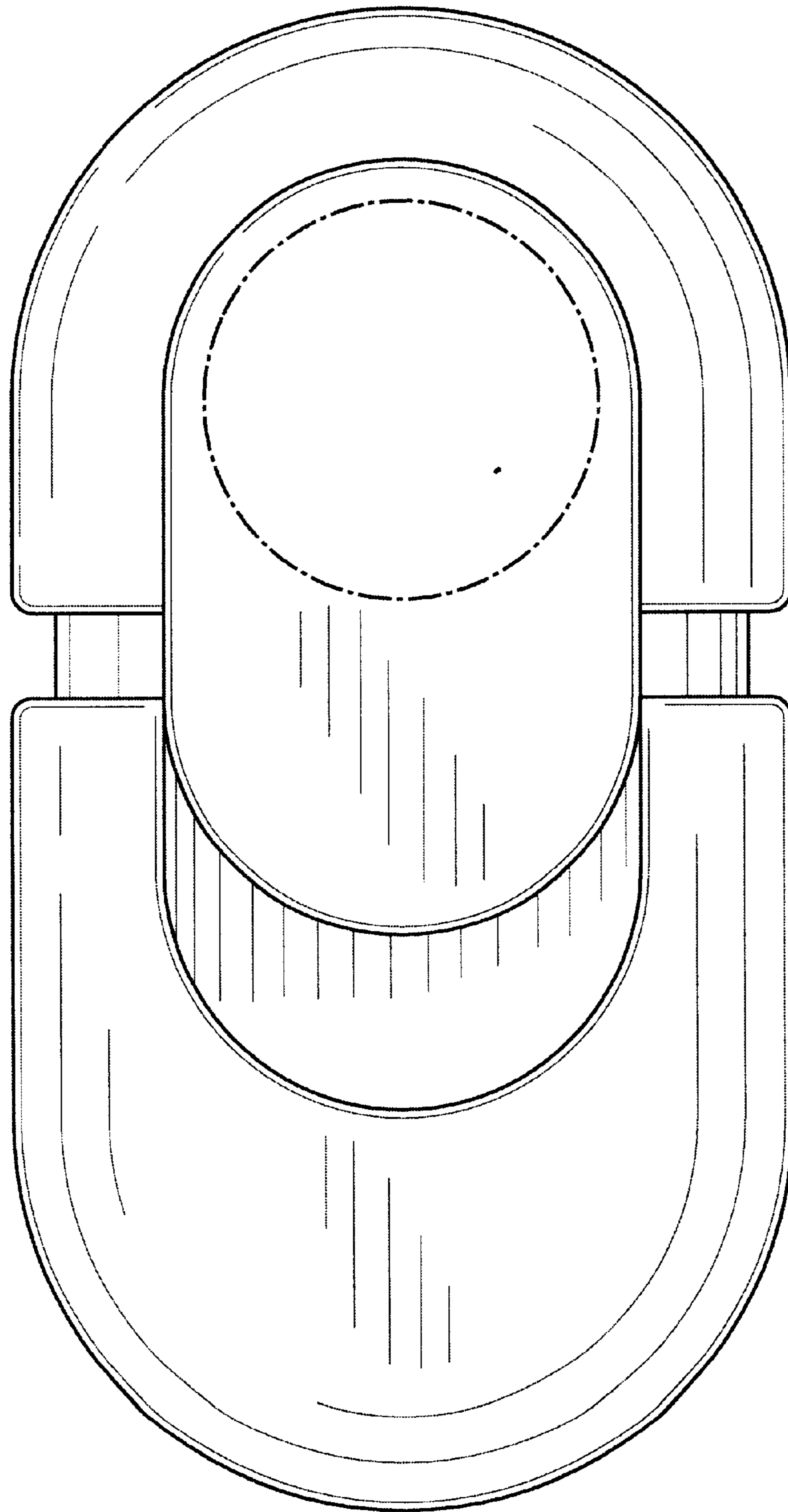


FIG. 3

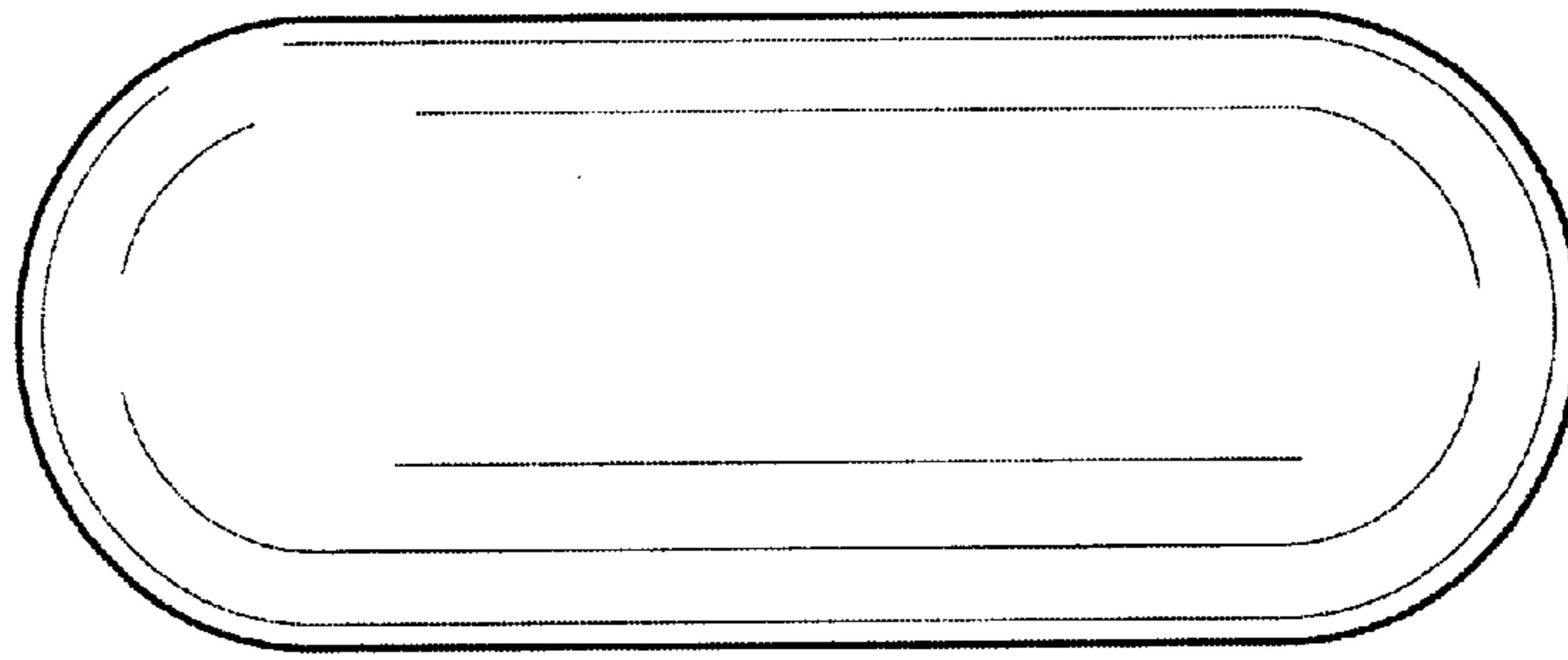


FIG. 4

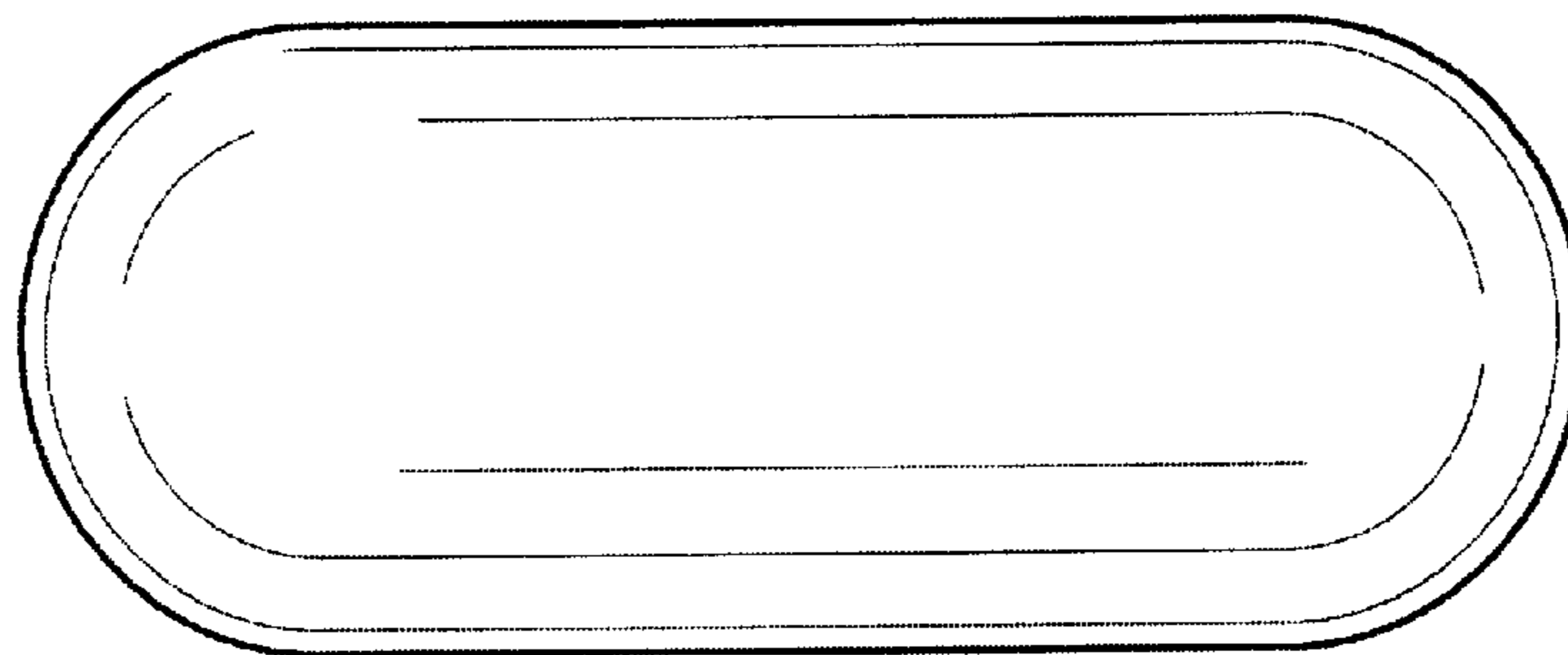




FIG. 5

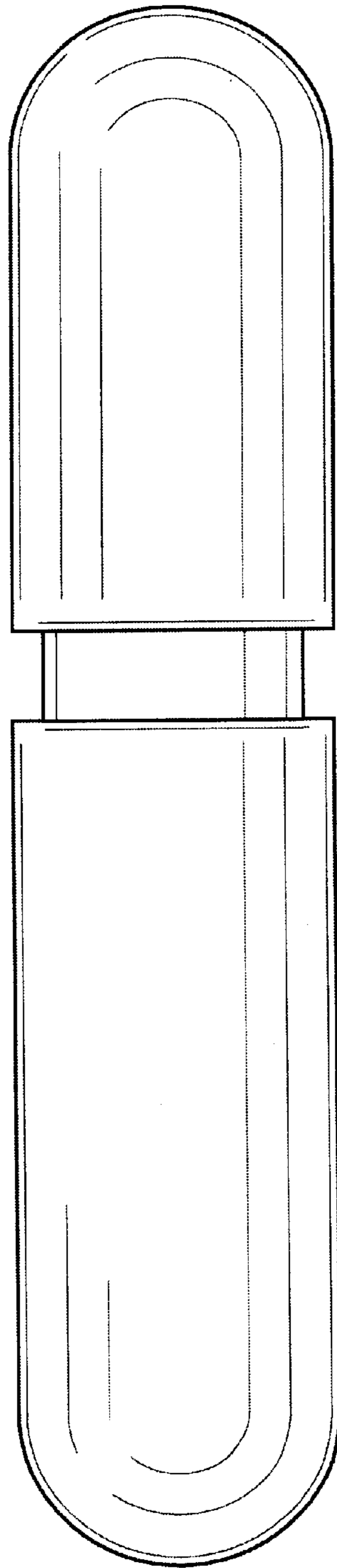


FIG. 6

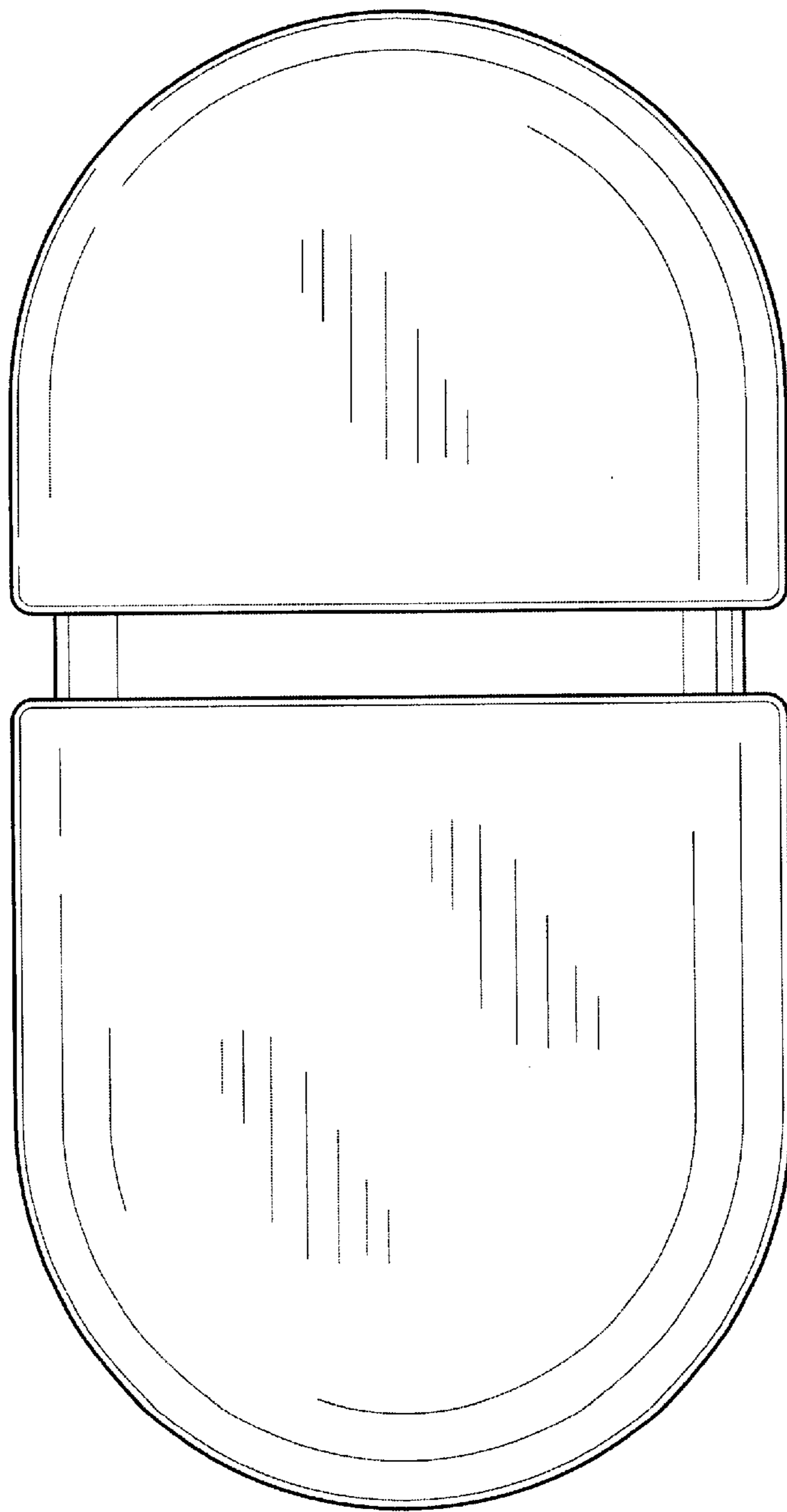


FIG. 7

