



US00D532694S

(12) **United States Design Patent**
Darr et al.

(10) **Patent No.:** **US D532,694 S**

(45) **Date of Patent:** **** Nov. 28, 2006**

(54) **CONTAINER**

(75) Inventors: **Richard C. Darr**, Medina, OH (US);
James C. Dorn, Norton, OH (US);
Richard A. Lovelace, Jr., Akron, OH (US)

(73) Assignee: **Plastipak Packaging, Inc.**, Plymouth, MI (US)

(**) Term: **14 Years**

(21) Appl. No.: **29/204,429**

(22) Filed: **Apr. 29, 2004**

(51) **LOC (8) Cl.** **09-01**

(52) **U.S. Cl.** **D9/520; D9/541; D9/542;**
D9/564; D9/566; D9/745

(58) **Field of Classification Search** D9/500,
D9/502, 516, 520, 523, 526, 528, 530-531,
D9/534, 538-543, 549-554, 557-560, 562-567,
D9/569-575, 636, 643, 645, 655, 657-658,
D9/661, 664, 684, 738-747; 215/10, 381-384,
215/396, 398; 220/23.4

See application file for complete search history.

(56) **References Cited**

U.S. PATENT DOCUMENTS

3,369,658	A	*	2/1968	Hasselmann	220/23.4	X
D244,427	S	*	5/1977	Schieser et al.	D9/550	
4,308,955	A	*	1/1982	Schieser et al.	215/383	X
D264,942	S	*	6/1982	Schieser et al.	D9/563	
D280,709	S	*	9/1985	Waring	D9/520	
5,002,199	A	*	3/1991	Frahm	215/383	
D327,219	S	*	6/1992	Hestehave et al.	D9/530	
D398,538	S	*	9/1998	Fuquen et al.	D9/542	
6,588,612	B1	*	7/2003	Dorn et al.	215/10	
6,857,531	B1	*	2/2005	Slat et al.	215/382	
D502,405	S	*	3/2005	Dorn et al.	D9/551	

D504,321	S	*	4/2005	Slat et al.	D9/550	
6,932,228	B1	*	8/2005	Darr et al.	215/10	
D509,143	S	*	9/2005	Slat et al.	D9/538	
D509,145	S	*	9/2005	Dorn et al.	D9/550	
D514,947	S	*	2/2006	Darr et al.	D9/550	

* cited by examiner

Primary Examiner—Carol Rademaker

(74) *Attorney, Agent, or Firm*—Robert H. Bachman

(57) **CLAIM**

The ornamental design for a container, as shown and described.

DESCRIPTION

FIG. 1 is a perspective view of the container of the present invention showing the top, front, and right side;

FIG. 2 is a perspective view of the container showing the top, rear and left side;

FIG. 3 is a left side elevational view thereof;

FIG. 4 is a front elevational view thereof;

FIG. 5 is a right side elevational view thereof;

FIG. 6 is a rear elevational view thereof;

FIG. 7 is a top plan view thereof;

FIG. 8 is a bottom plan view thereof;

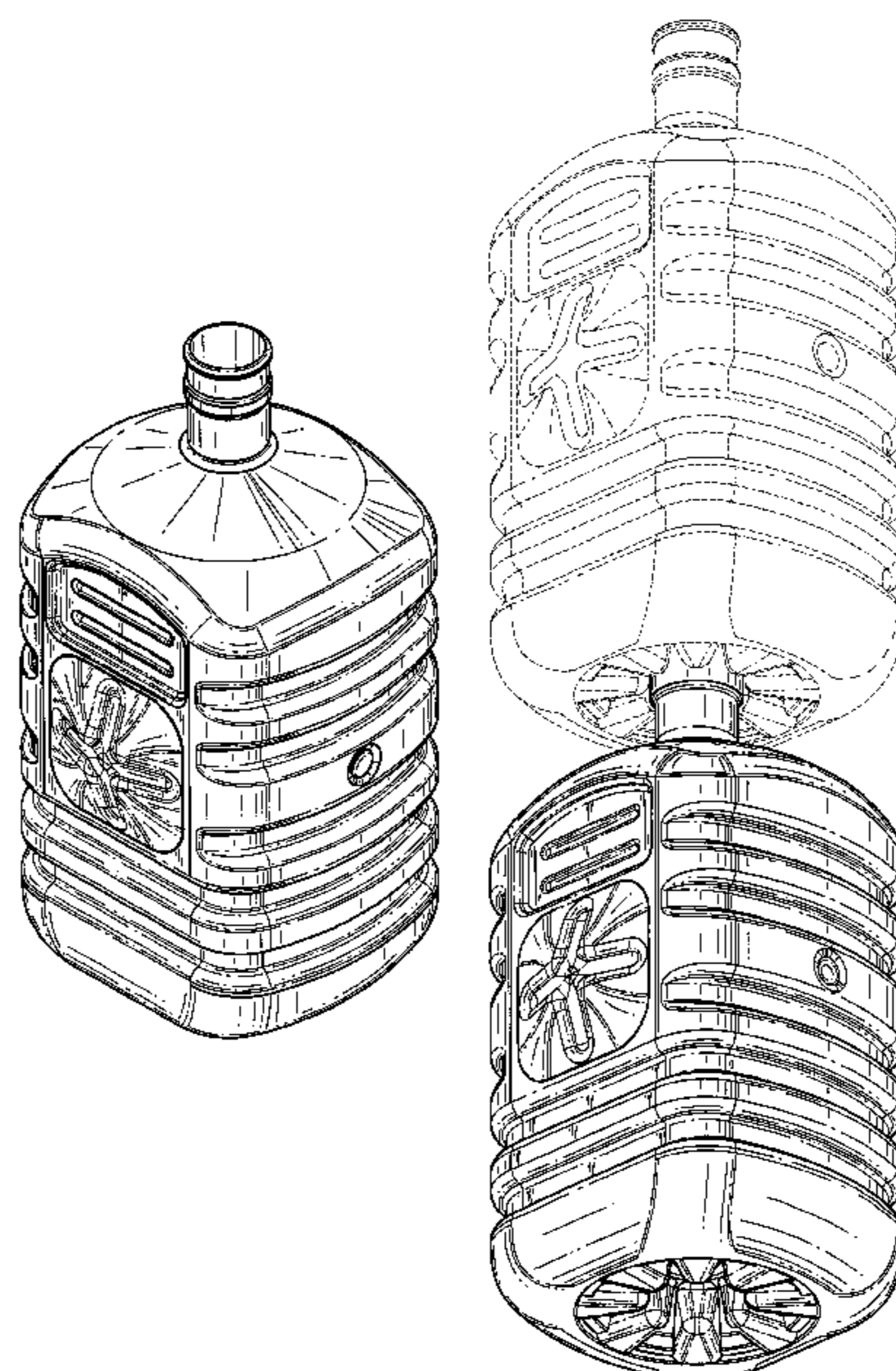
FIG. 9 is a perspective view showing the container and environment of additional containers to show how the container can be stacked top to bottom;

FIG. 10 is a perspective view showing the container and environment of additional containers to show how the container can be stacked side to side; and,

FIG. 11 is a perspective view showing the container and environment of one additional container to show how two containers can be stacked top to bottom.

The broken lines shown in the drawings are for illustrative purposes only and form no part of the claimed design.

1 Claim, 7 Drawing Sheets



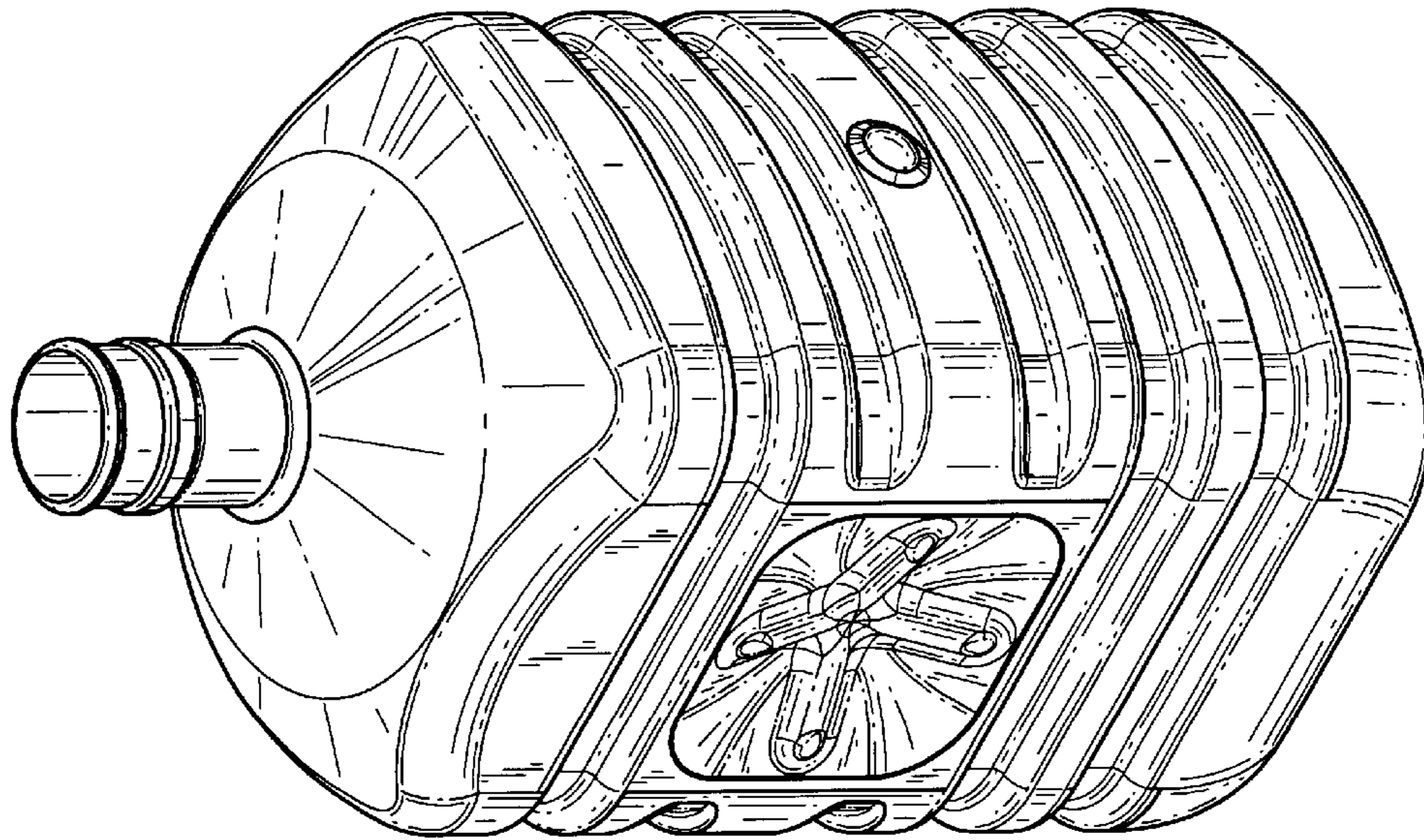


FIG. 2

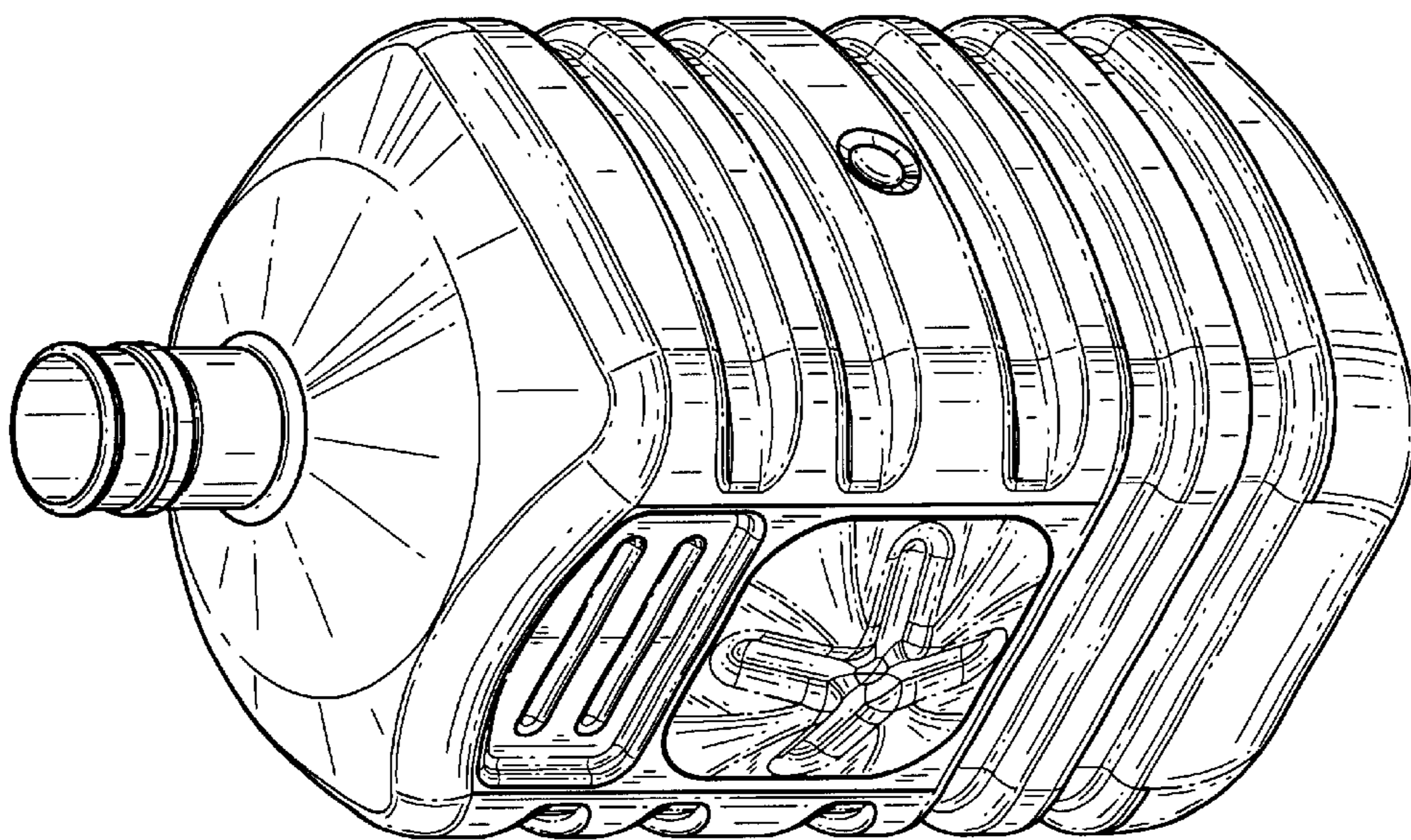


FIG. 1

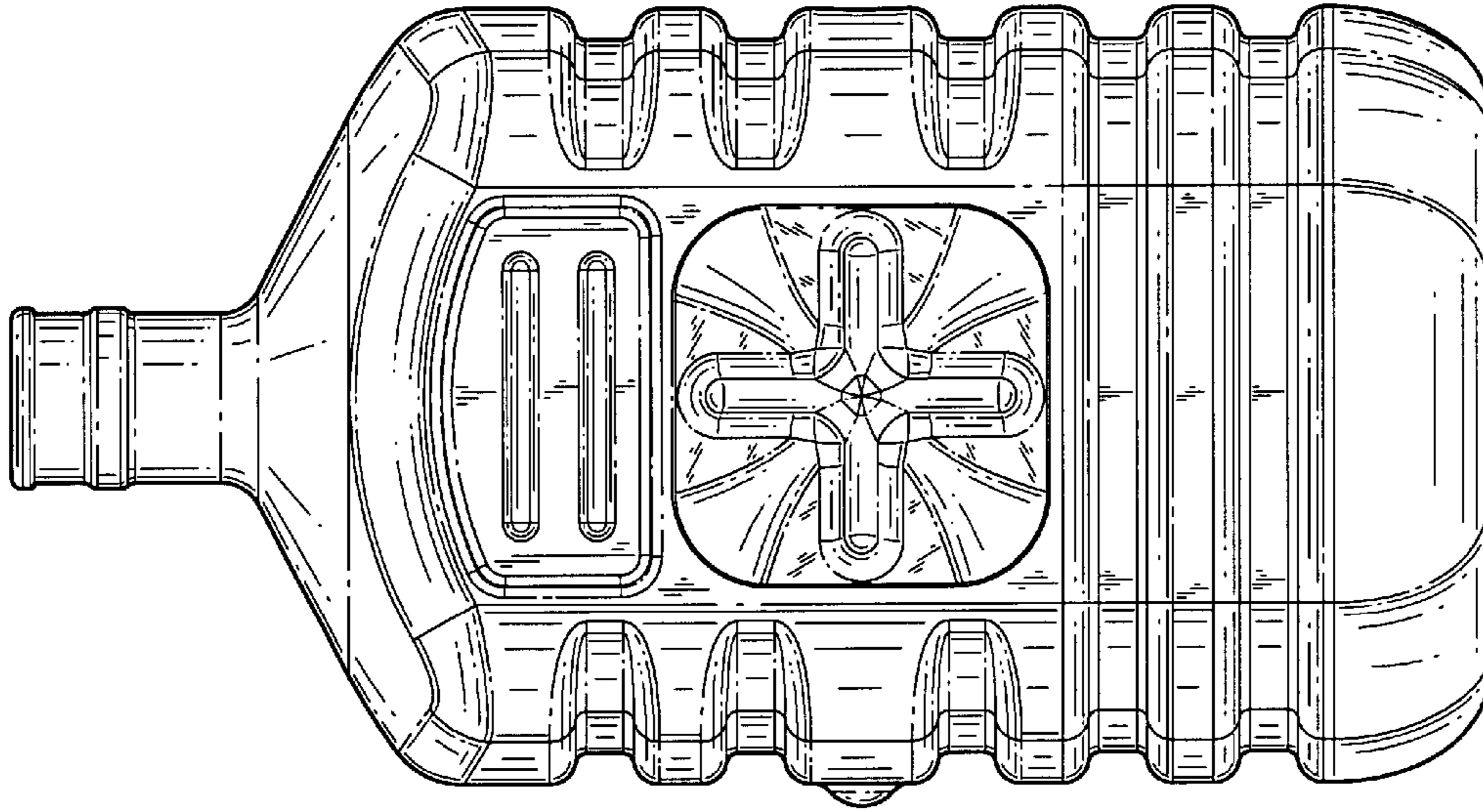


FIG. 4

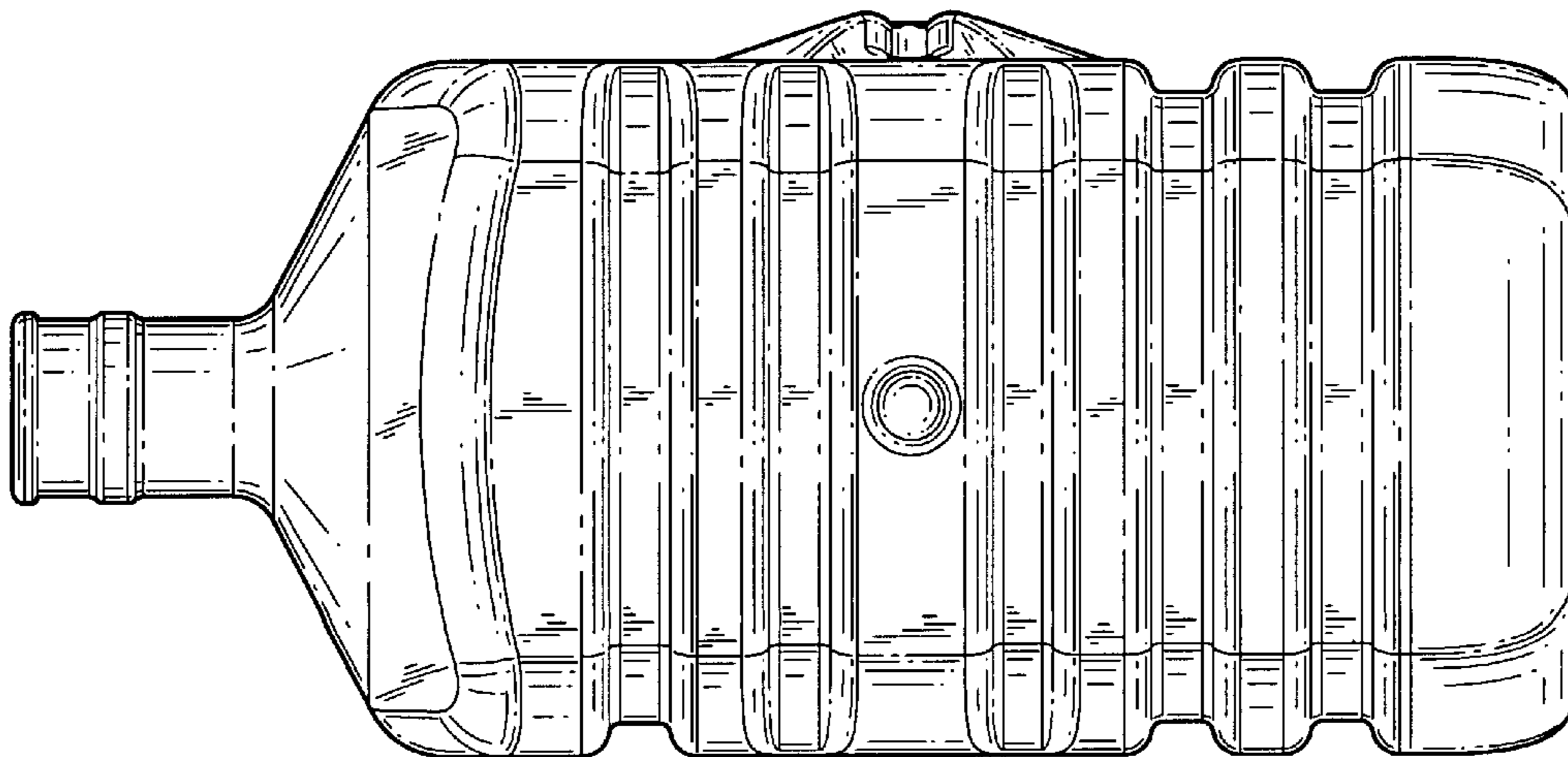


FIG. 3

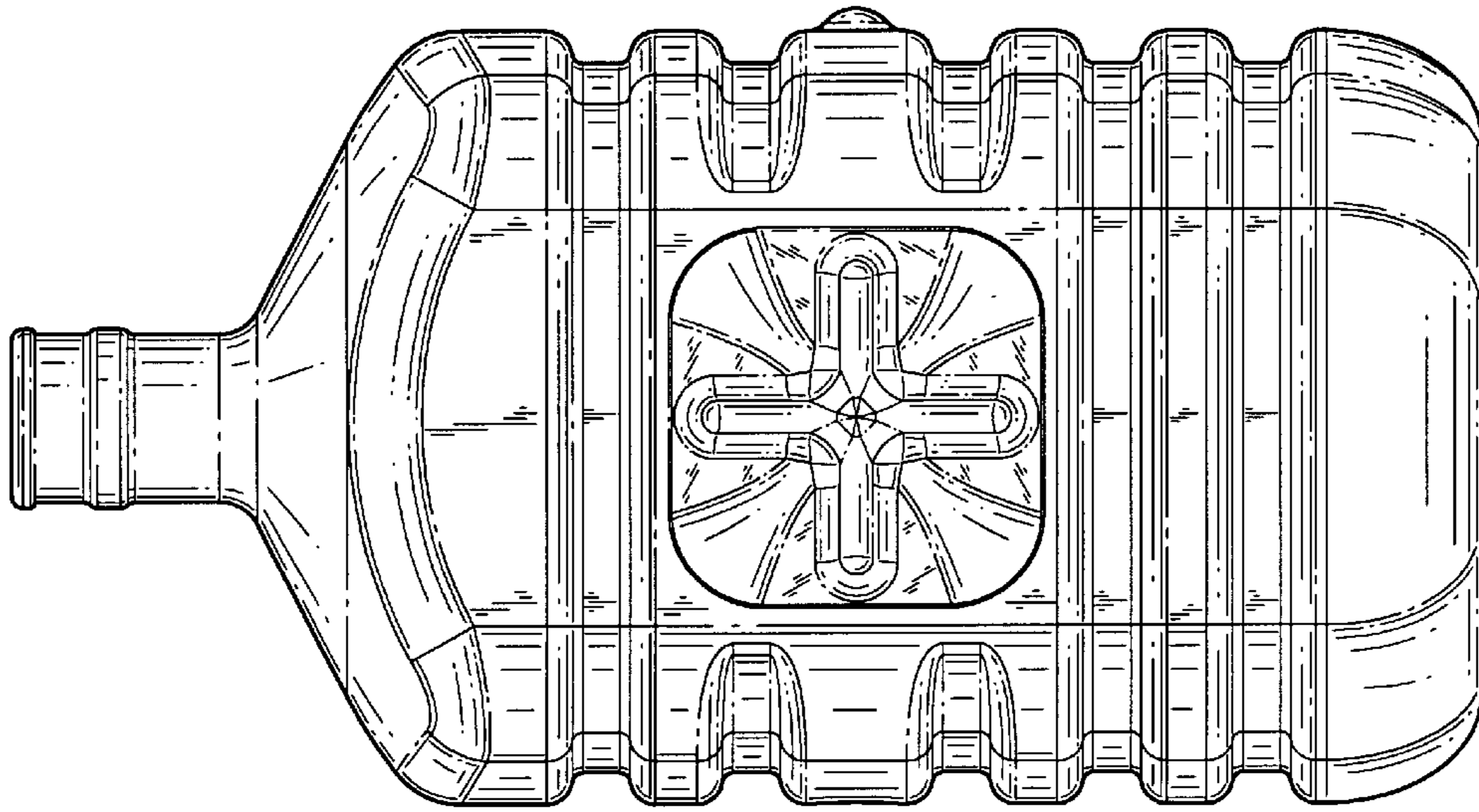


FIG. 6

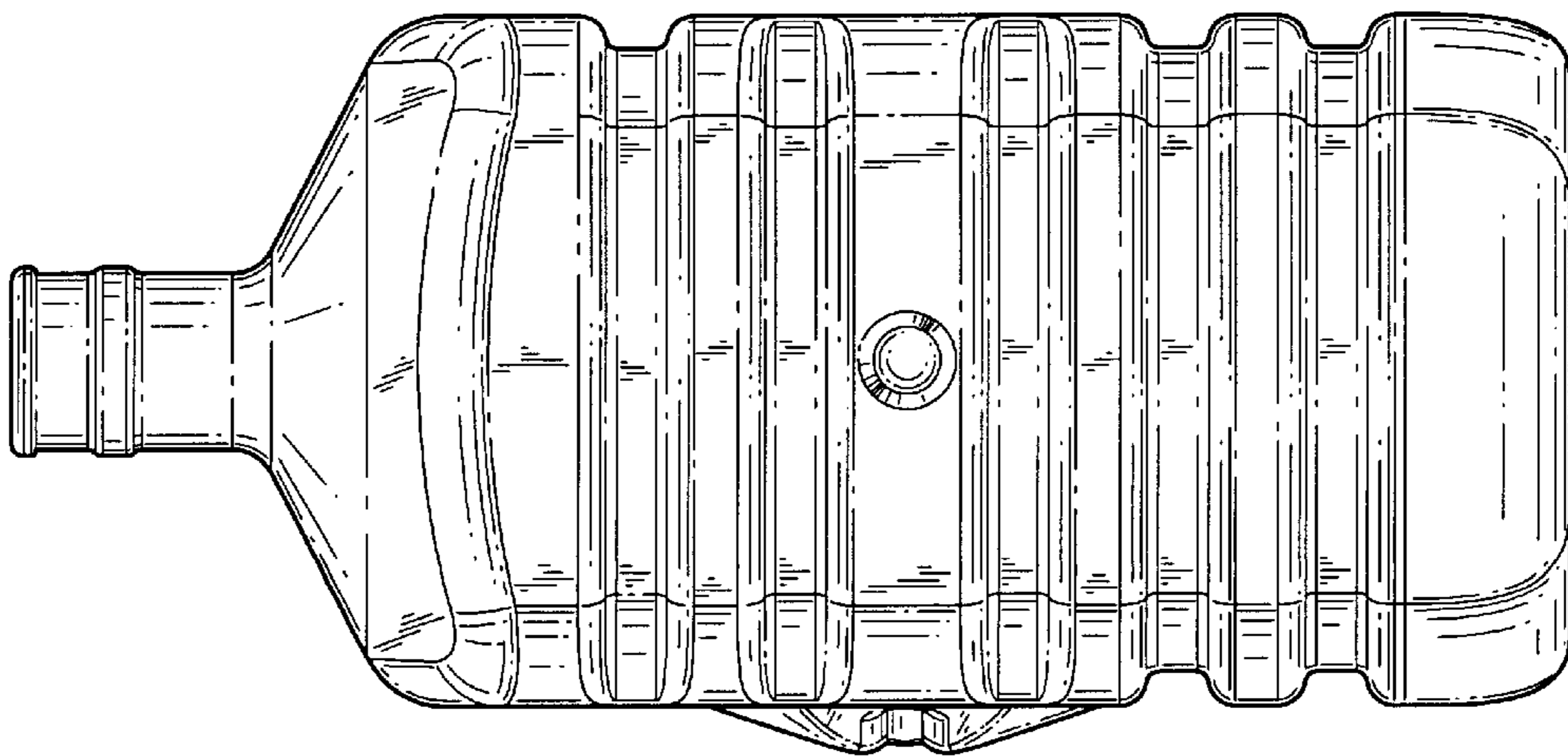


FIG. 5

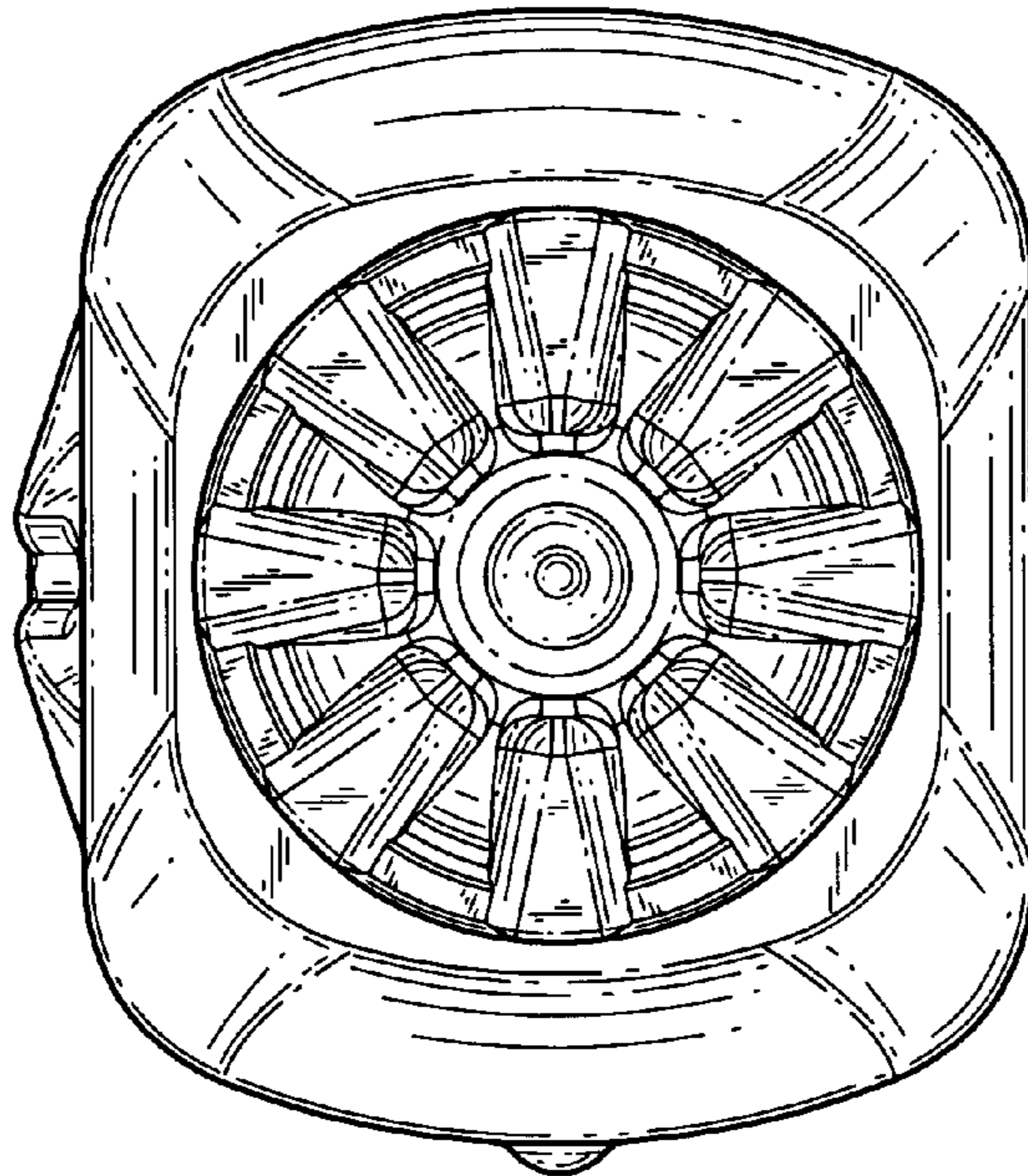


FIG. 8

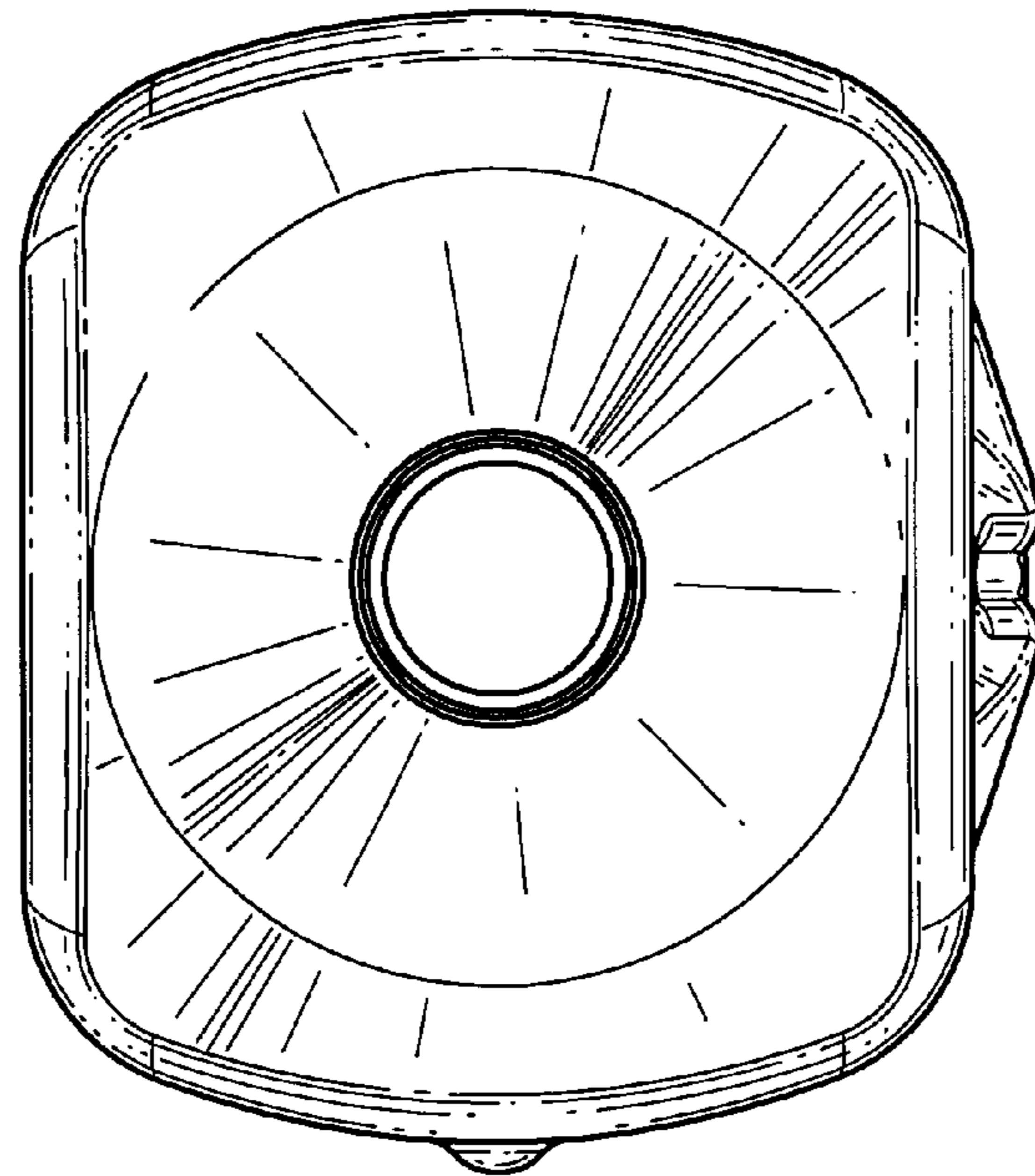


FIG. 7

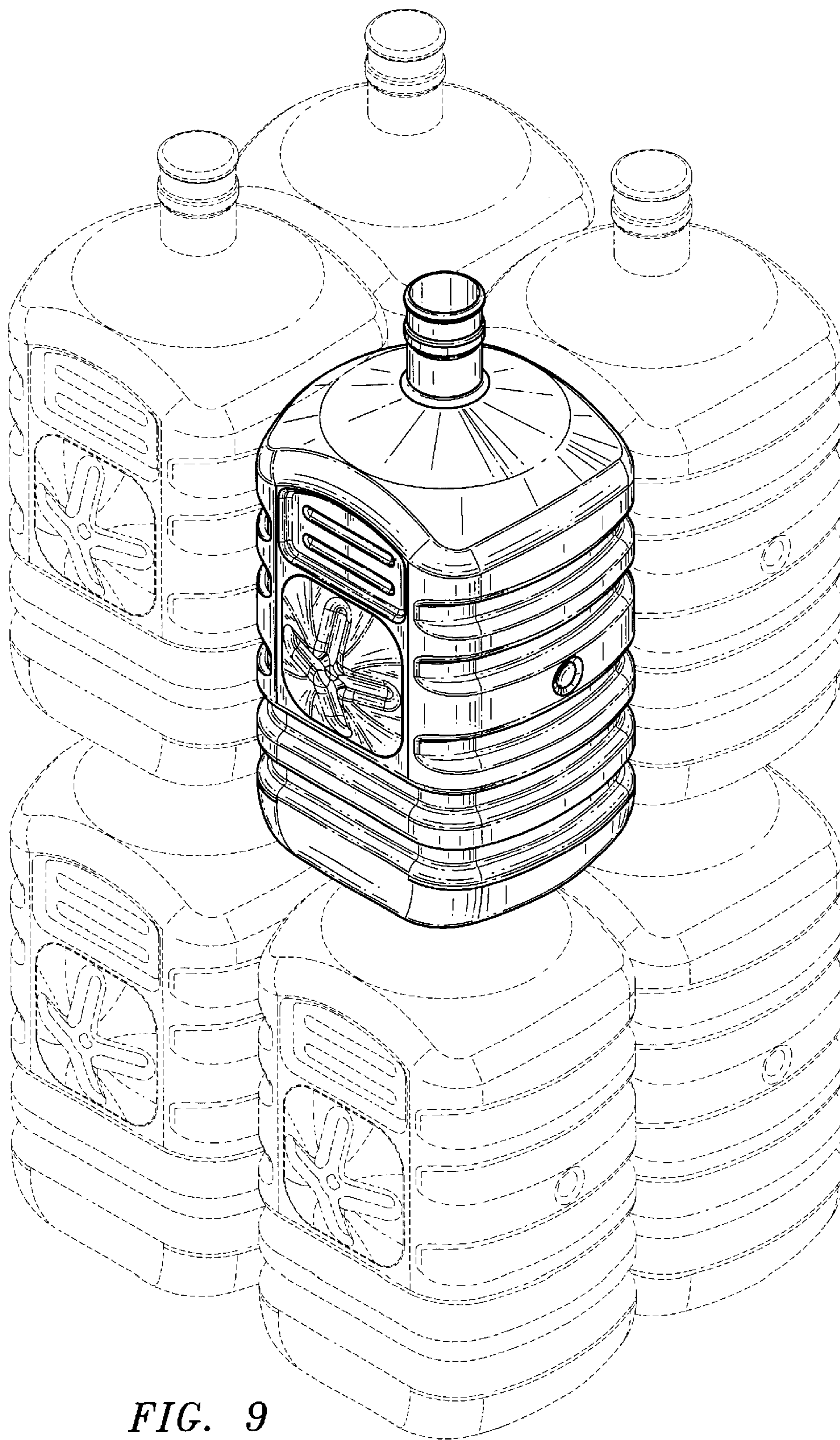


FIG. 9

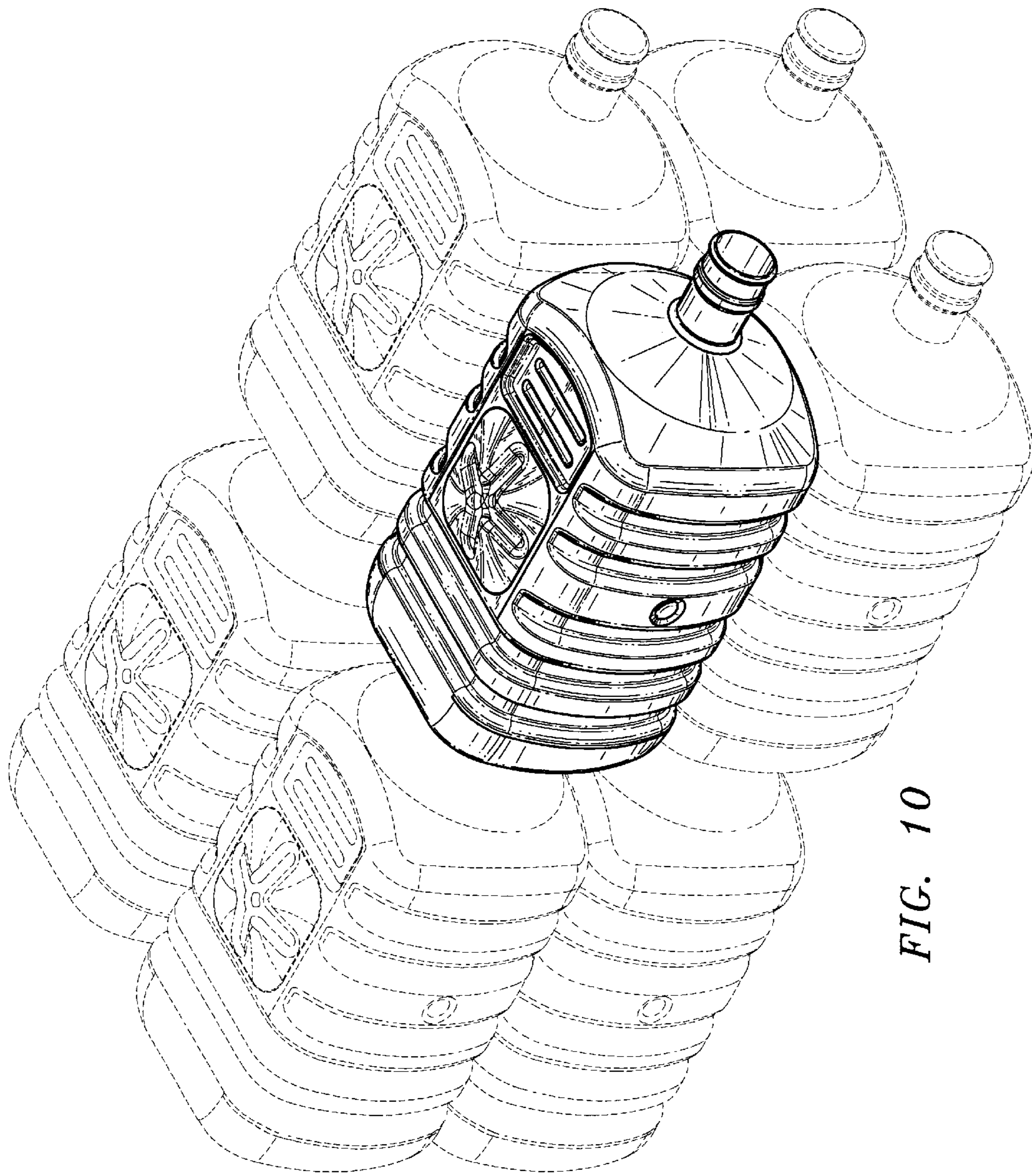


FIG. 10

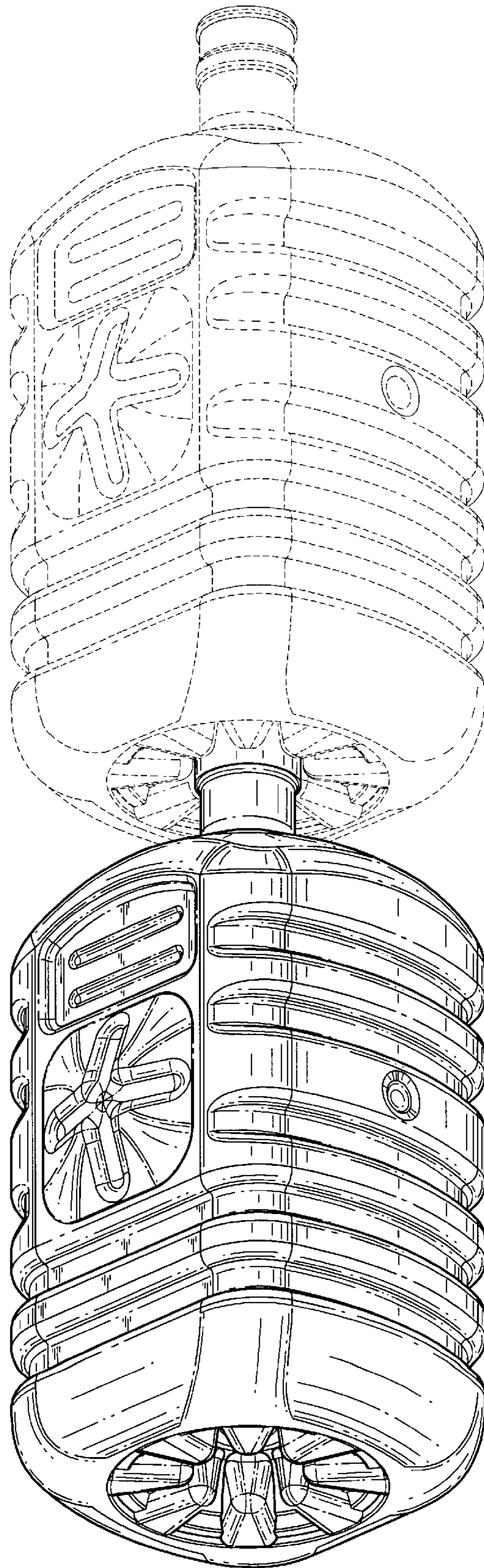


FIG. 11