



US00D532693S

(12) **United States Design Patent**
Steih et al.

(10) **Patent No.:** **US D532,693 S**

(45) **Date of Patent:** **** *Nov. 28, 2006**

(54) **CONTAINER**

(75) Inventors: **Richard J. Steih**, Britton, MI (US);
Rohit V. Joshi, Ann Arbor, MI (US)

(73) Assignee: **Amtcor Limited**, Abbotsford (AU)

(*) Notice: This patent is subject to a terminal disclaimer.

(**) Term: **14 Years**

D353,771 S	12/1994	Klitsner	
D366,416 S	1/1996	Semersky	
D366,831 S	2/1996	Semersky et al.	
D421,911 S	* 3/2000	Willardson et al. D9/542
D427,908 S	7/2000	Bae	
D434,330 S	* 11/2000	Rowe et al. D9/538
D466,021 S	* 11/2002	Thierjung et al. D9/538
D476,236 S	* 6/2003	Ungrady et al. D9/538
D502,108 S	* 2/2005	Gamel et al. D9/538
D503,344 S	* 3/2005	Woolley et al. D9/551
D508,856 S	* 8/2005	Boon et al. D9/545

OTHER PUBLICATIONS

BIOTA Colorado Pure Rocky Mountain Spring Water Bottle, Dated May 18, 2005, pp. 1-3.

* cited by examiner

Primary Examiner—Ian Simmons

Assistant Examiner—Dana Sipos

(74) *Attorney, Agent, or Firm*—Harness, Dickey & Pierce, P.L.C.

(21) Appl. No.: **29/229,469**

(22) Filed: **May 6, 2005**

(51) **LOC (8) Cl.** **09-01**

(52) **U.S. Cl.** **D9/516; D9/502; D9/538; D9/556**

(58) **Field of Classification Search** D9/516, D9/520, 530, 537-539, 549, 551, 556-558; 215/379, 381-385, 387; 220/675

See application file for complete search history.

(57) **CLAIM**

The ornamental design for a container, as shown and described.

(56) **References Cited**

U.S. PATENT DOCUMENTS

D24,182 S	4/1895	Kilian	
D54,241 S	12/1919	Christian	
D63,657 S	12/1923	Root	
D85,233 S	9/1931	Fuerst	
D178,917 S	10/1956	England et al.	
D185,557 S	6/1959	Mas	
D222,529 S	11/1971	Terner	
4,421,804 A	* 12/1983	Mori et al. 215/379
D272,990 S	3/1984	Strand	
D280,486 S	* 9/1985	Reay D9/500
D295,612 S	5/1988	Ota	
D313,750 S	1/1991	York et al.	
D315,869 S	4/1991	Collette	
D321,830 S	11/1991	York et al.	
D337,520 S	7/1993	Krishnakumar et al.	
D345,693 S	4/1994	Edstrom	
D352,238 S	11/1994	Vaillencourt et al.	

DESCRIPTION

FIG. 1 is a front perspective view of a container showing our new design;

FIG. 2 is a front elevational view of the container shown in FIG. 1, the rear elevational view being a mirror image;

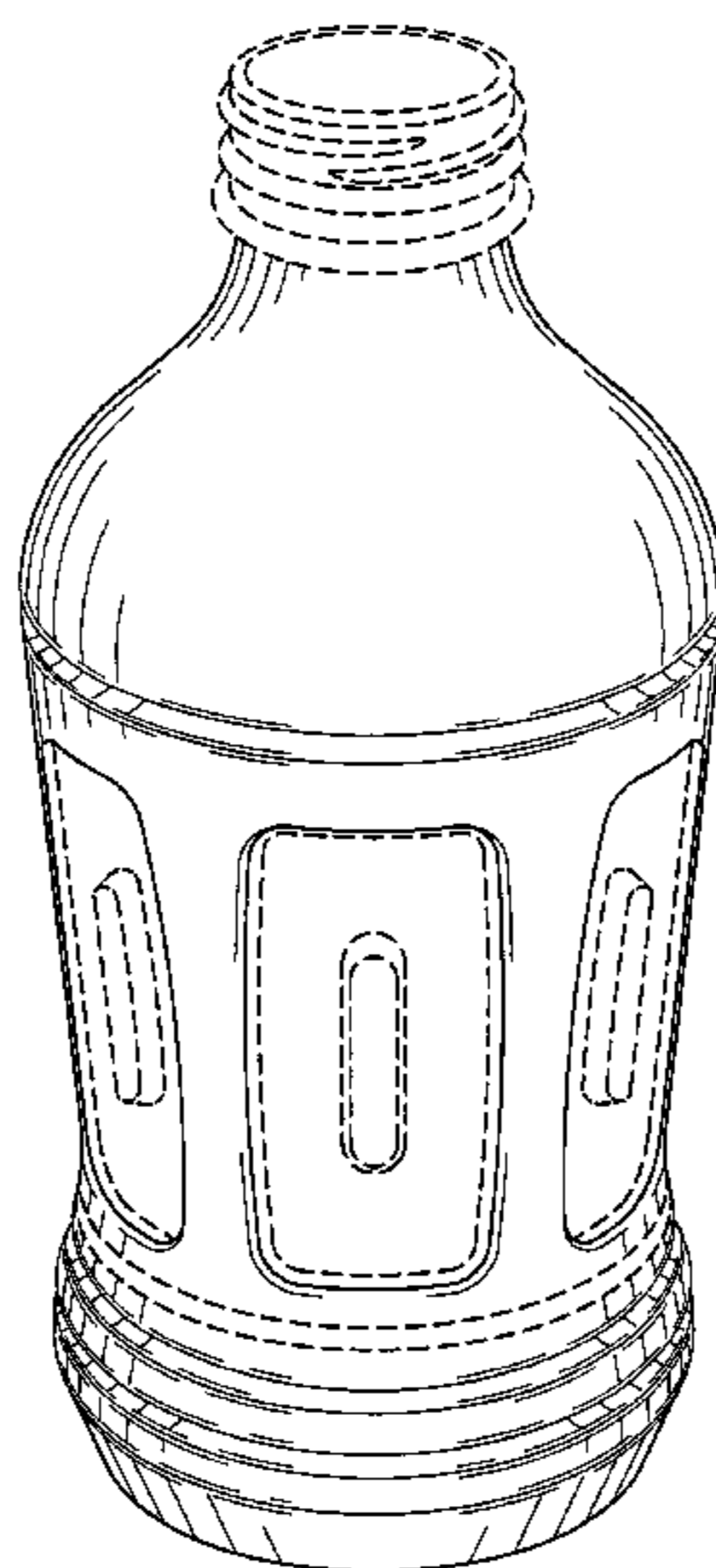
FIG. 3 is a right side elevational view of the container shown in FIG. 1, the left side elevational view being a mirror image;

FIG. 4 is a top plan view of the container shown in FIG. 2; and,

FIG. 5 is a bottom plan view of the container shown in FIG. 2.

The broken lines are for environmental purposes only and form no part of the claimed design.

1 Claim, 2 Drawing Sheets



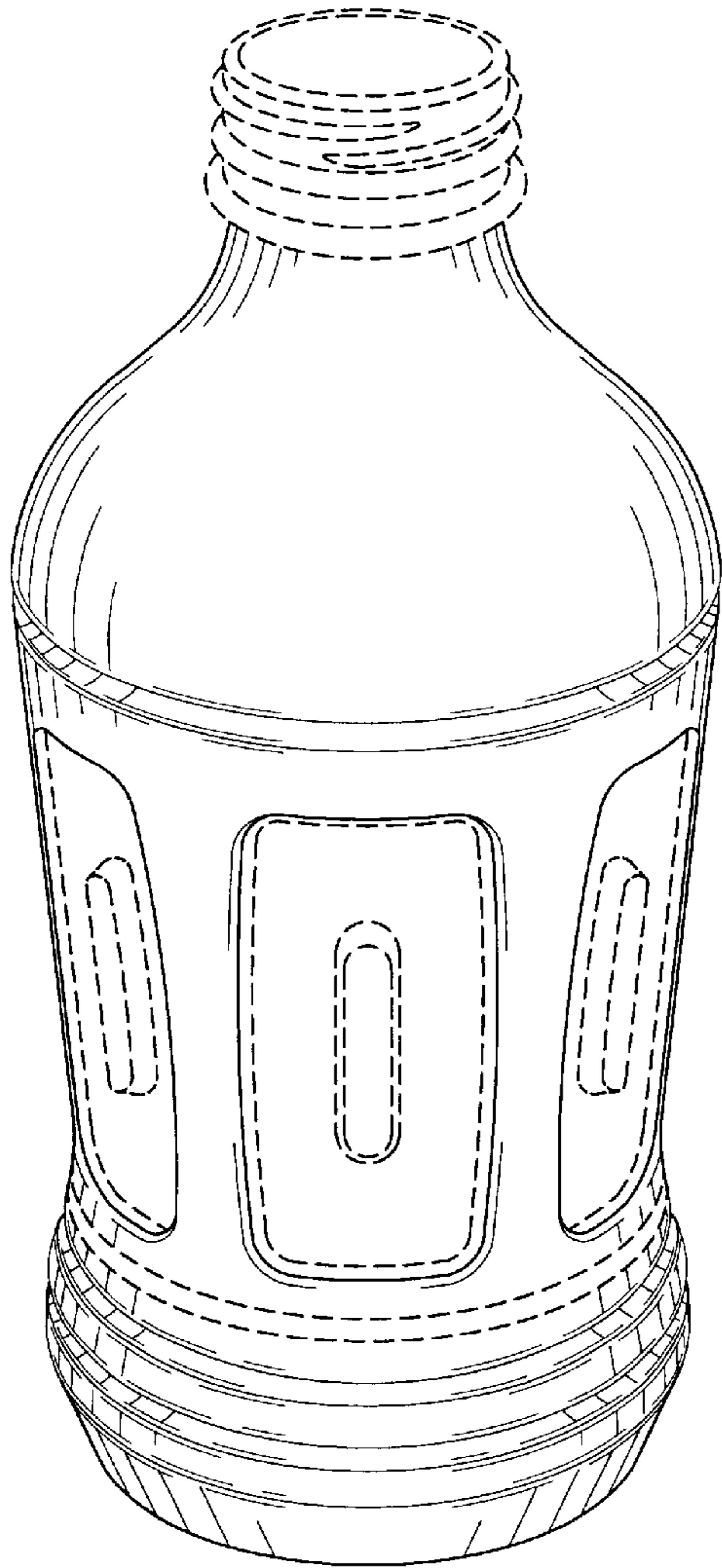


Fig-1

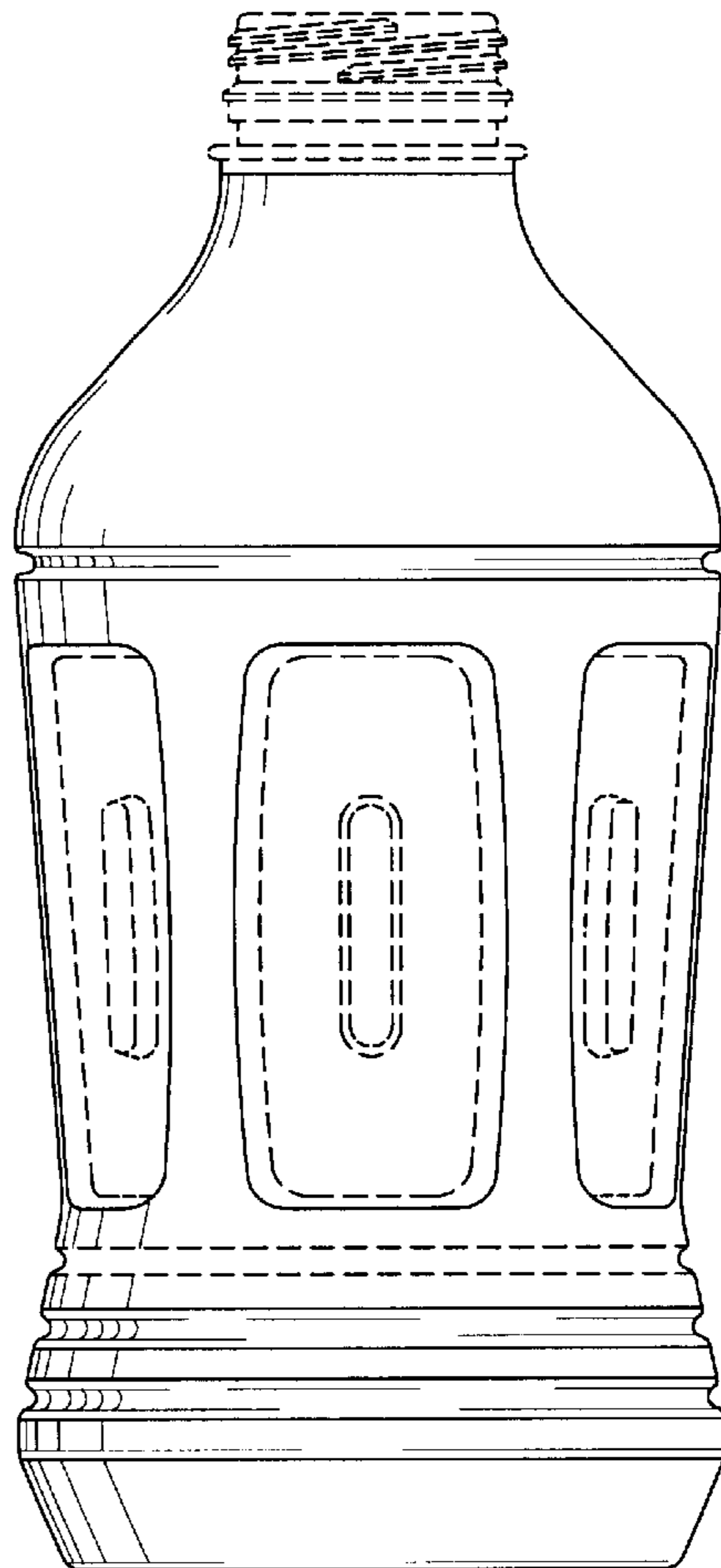


Fig-2

Fig-3

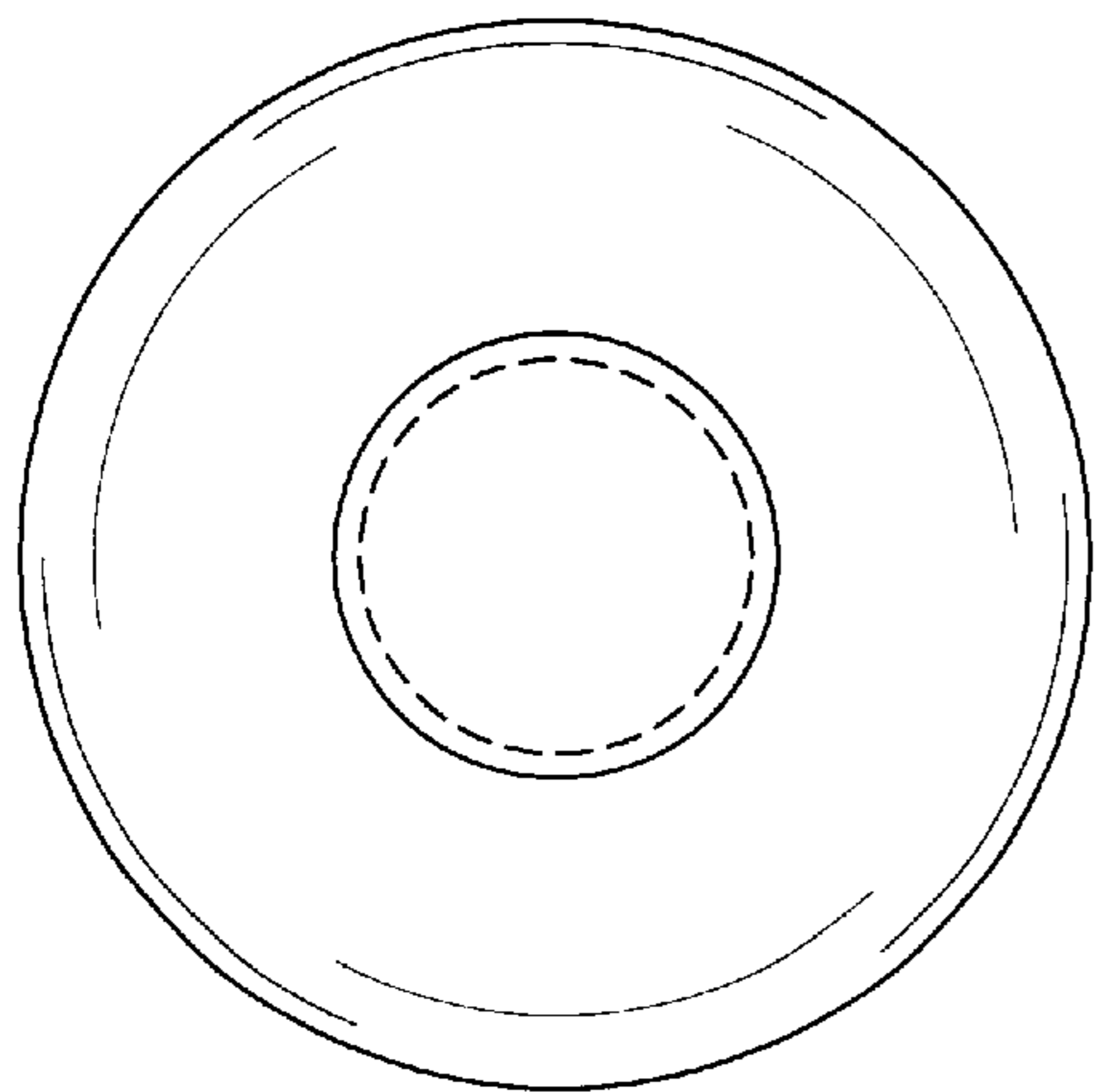
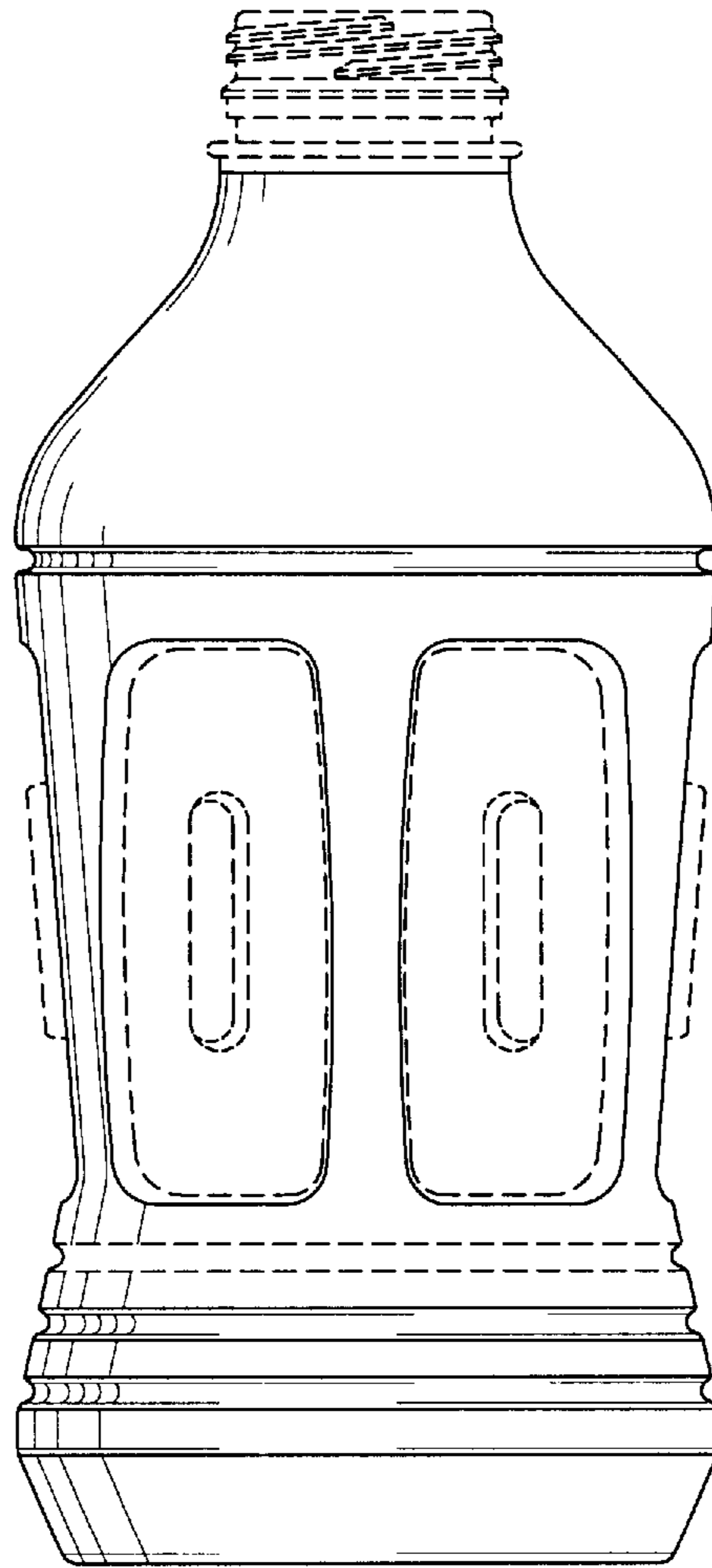


Fig-4

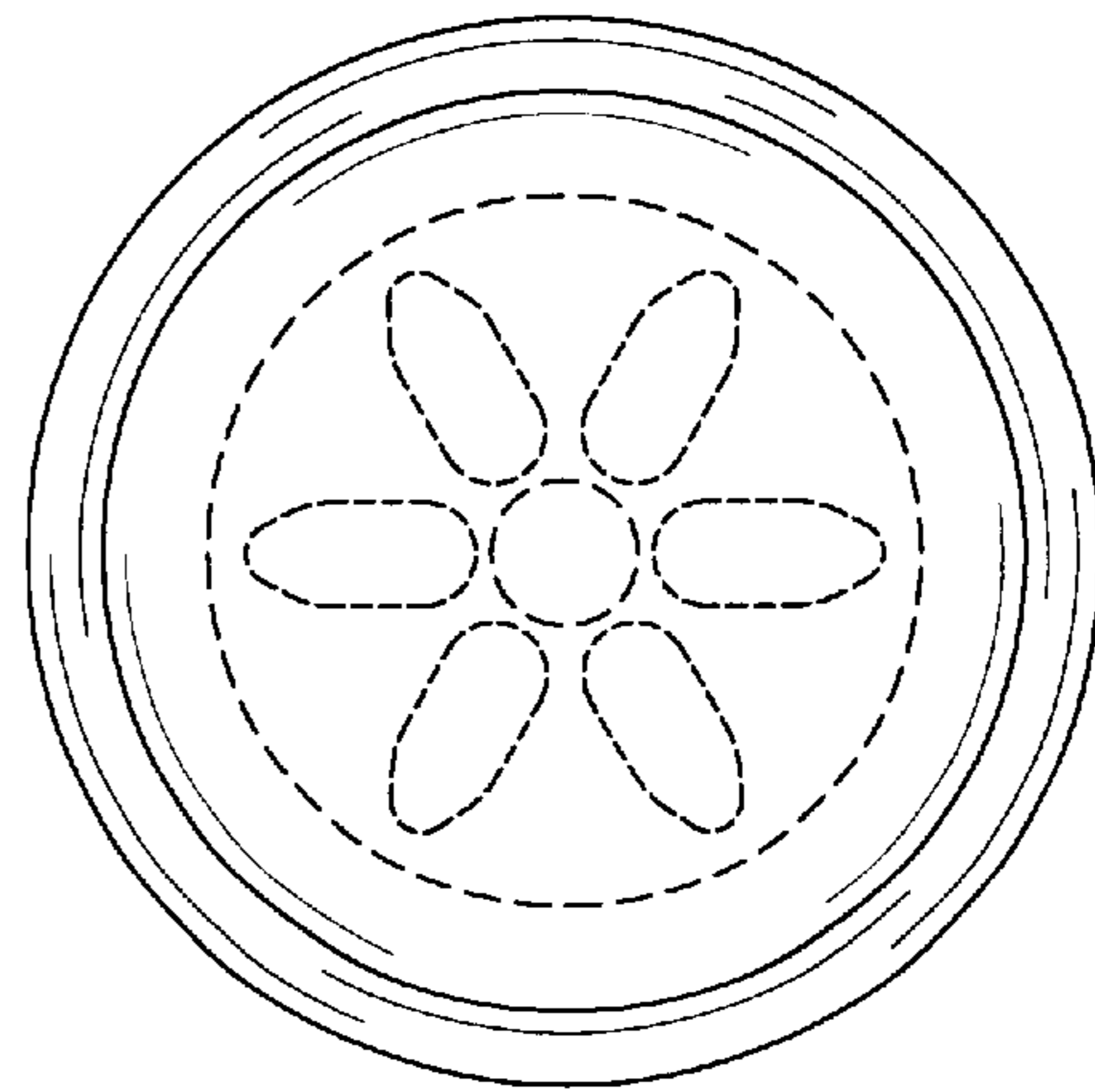


Fig-5