



US00D532684S

(12) **United States Design Patent**  
**Barnes**

(10) **Patent No.:** **US D532,684 S**

(45) **Date of Patent:** **\*\* Nov. 28, 2006**

- (54) **COLLAR**
- (75) Inventor: **Steven R. Barnes**, Phoenix, AZ (US)
- (73) Assignee: **Paramount Leisure Industries, Inc.**, Tempe, AZ (US)
- (\*\*) Term: **14 Years**
- (21) Appl. No.: **29/209,574**
- (22) Filed: **Jul. 16, 2004**
- (51) **LOC (8) Cl.** ..... **08-08**
- (52) **U.S. Cl.** ..... **D8/397**
- (58) **Field of Classification Search** ..... D8/349,  
D8/382, 393, 397, 396, 399; D13/154; 411/179,  
411/180, 427, 429, 918  
See application file for complete search history.

- D277,454 S \* 2/1985 Meinhardt ..... D8/397
- 4,505,814 A 3/1985 Marshall ..... 210/166
- D281,953 S \* 12/1985 Newman ..... D8/397
- 4,561,134 A 12/1985 Mathews et al. .... 4/496
- D284,263 S \* 6/1986 Resan ..... D8/382
- D284,264 S \* 6/1986 Resan ..... D8/382
- D284,265 S \* 6/1986 Resan ..... D8/382
- D284,266 S \* 6/1986 Resan ..... D8/382
- D288,902 S \* 3/1987 Lewis ..... D8/397
- 4,910,811 A 3/1990 Izzi, Sr. .... 4/292
- 4,939,797 A 7/1990 Goettl ..... 4/490
- 5,408,706 A 4/1995 Barnes ..... 4/507
- D367,418 S \* 2/1996 Lathrop ..... D8/349
- D448,659 S \* 10/2001 Pamer et al. .... D8/397
- D450,235 S \* 11/2001 Shinjo et al. .... D8/397
- D454,057 S \* 3/2002 Pamer et al. .... D8/397
- D457,054 S \* 5/2002 Pamer et al. .... D8/397
- D462,256 S \* 9/2002 Jaynes ..... D8/382
- D480,952 S \* 10/2003 Kovac ..... D8/399
- D484,036 S \* 12/2003 Koch ..... D8/397
- D494,056 S \* 8/2004 Clendenning ..... D8/399

(56) **References Cited**

**U.S. PATENT DOCUMENTS**

- 149,373 A 4/1874 Clapp
- 1,584,453 A 5/1926 Hess
- 1,792,345 A 2/1931 Williams
- 2,003,770 A 6/1935 Goodhart ..... 182/31
- 2,695,073 A 11/1954 Sisk ..... 182/31
- 2,695,678 A 11/1954 Sisk ..... 182/31
- 2,749,999 A 6/1956 Schmid ..... 182/31
- 2,777,532 A 1/1957 Sisk ..... 182/31
- D198,713 S \* 7/1964 Curtiss ..... D8/397
- 3,378,858 A 4/1968 Jacuzzi ..... 4/172
- D217,540 S \* 5/1970 Weise ..... D8/397
- 3,703,302 A 11/1972 Demler ..... 285/161
- D243,063 S \* 1/1977 Mooney ..... D8/397
- 4,276,163 A 6/1981 Gordon ..... 210/136
- D262,940 S \* 2/1982 Spinner ..... D8/397
- 4,391,005 A 7/1983 Goettl ..... 4/490
- D273,561 S \* 4/1984 Ozaki et al. .... D8/397

\* cited by examiner

*Primary Examiner*—Holly H. Baynham

*Assistant Examiner*—Cynthia M. Chin

(74) *Attorney, Agent, or Firm*—Cahill, von Hellens & Glazer P.L.C.

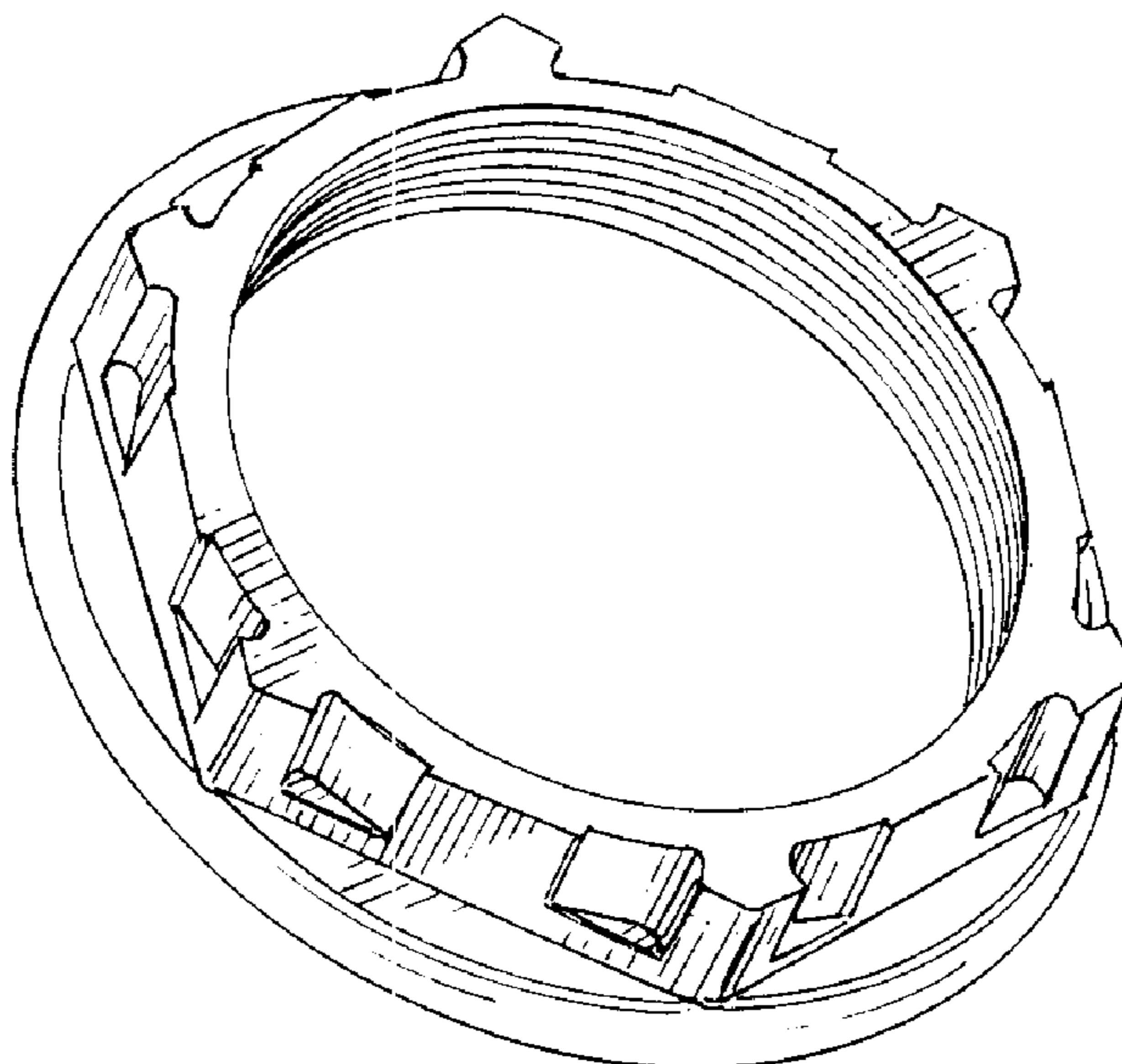
(57) **CLAIM**

The ornamental design for a collar, as shown and described.

**DESCRIPTION**

FIG. 1 is an isometric view of my collar showing my design;  
FIG. 2 is a bottom view thereof;  
FIG. 3 is an elevational view illustrating the facets attendant  
the collar; and,  
FIG. 4 is a top view thereof.

**1 Claim, 1 Drawing Sheet**



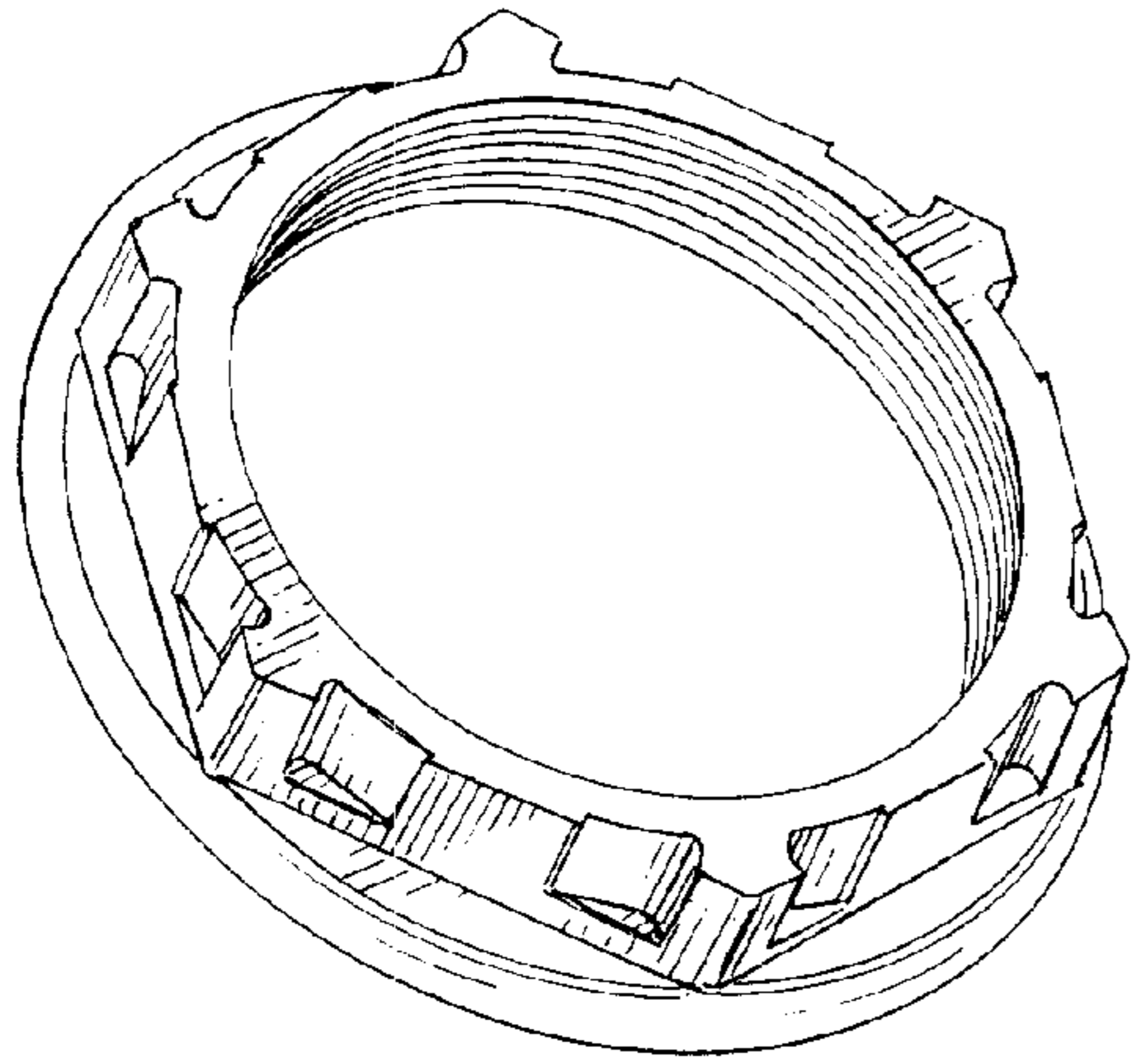


FIG. 1

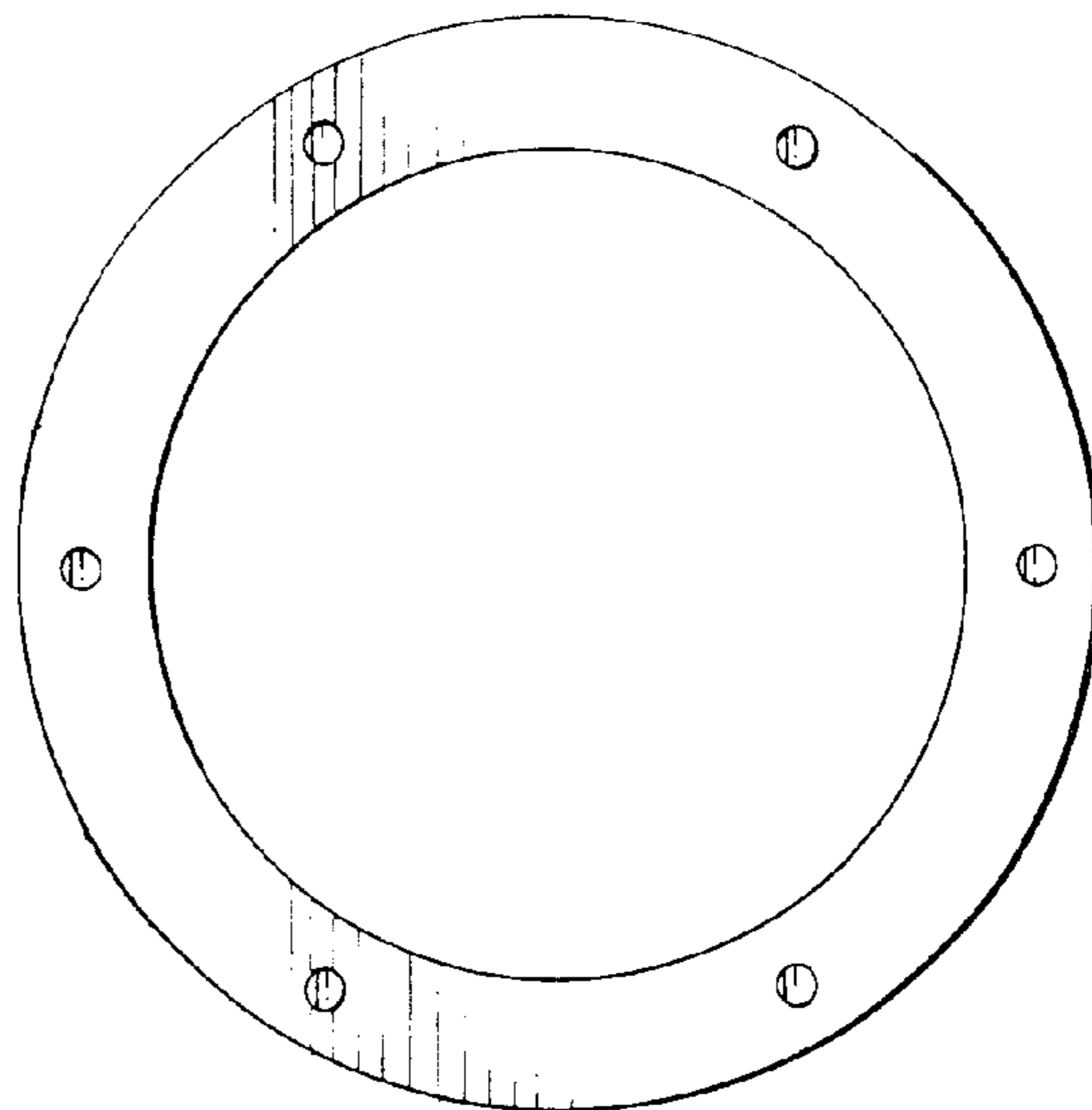


FIG. 2

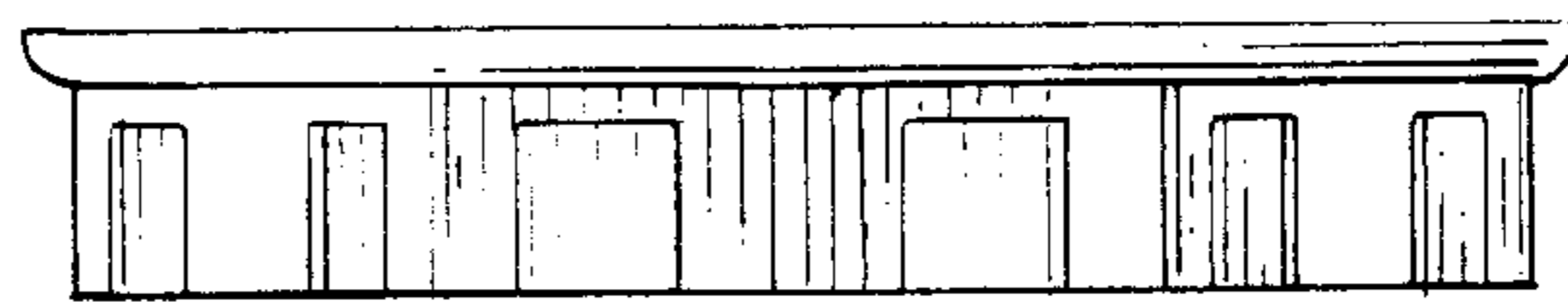


FIG. 3

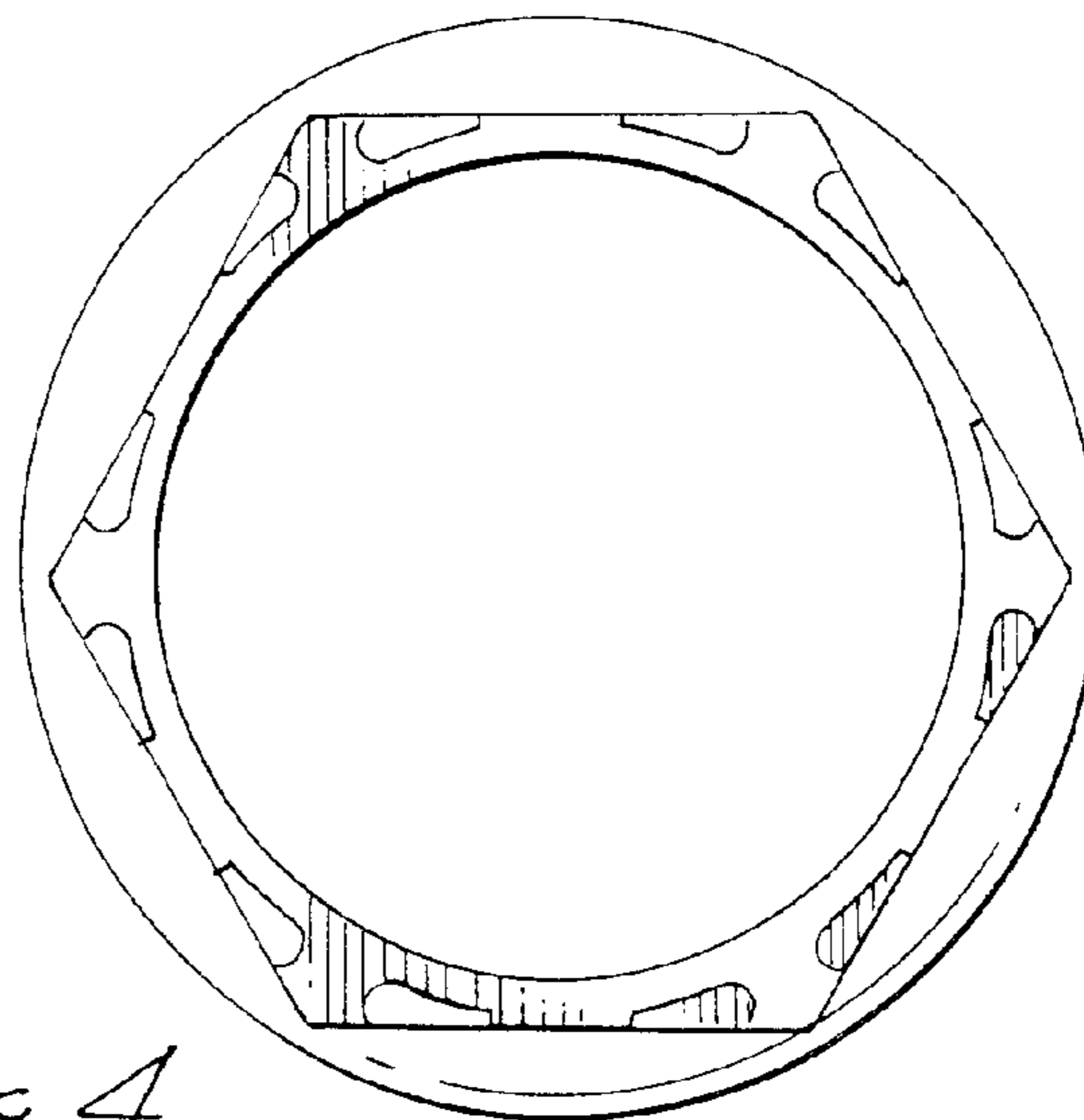


FIG. 4