



US00D532683S

(12) **United States Design Patent Case**

(10) **Patent No.:** **US D532,683 S**

(45) **Date of Patent:** **** Nov. 28, 2006**

(54) **CLAMP DEVICE**

(76) Inventor: **Thomas Edward Case**, 42 Emily St., Marks Point, New South Wales (AU), 2280

(**) Term: **14 Years**

(21) Appl. No.: **29/212,864**

(22) Filed: **Sep. 9, 2004**

(30) **Foreign Application Priority Data**

Mar. 9, 2004 (AU) 917/04

(51) **LOC (8) Cl.** **08-08**

(52) **U.S. Cl.** **D8/395**

(58) **Field of Classification Search** D8/356, D8/371, 394-396, 499, 53, 100, 365; D12/51; D19/65, 90; D28/39, 40, 42; 24/546, 563, 24/910, 327, 334, DIG. 8, DIG. 9, DIG. 13, 24/DIG. 28; 248/74.2, 300, 301, 316.7, 229.26
See application file for complete search history.

(56) **References Cited**

U.S. PATENT DOCUMENTS

3,402,442 A * 9/1968 Kruger et al. 24/557

D238,853 S * 2/1976 Kruger D8/395
D408,097 S * 4/1999 Heydt D27/183
6,276,644 B1 * 8/2001 Jennings et al. 248/49

* cited by examiner

Primary Examiner—Louis S. Zarfes

Assistant Examiner—John Windmuller

(74) *Attorney, Agent, or Firm*—Tucker Ellis & West LLP

(57) **CLAIM**

The ornamental design for a clamp device, as shown and described.

DESCRIPTION

FIG. 1 is a front perspective view of a clamp device showing my new design;

FIG. 2 is a front elevational view thereof;

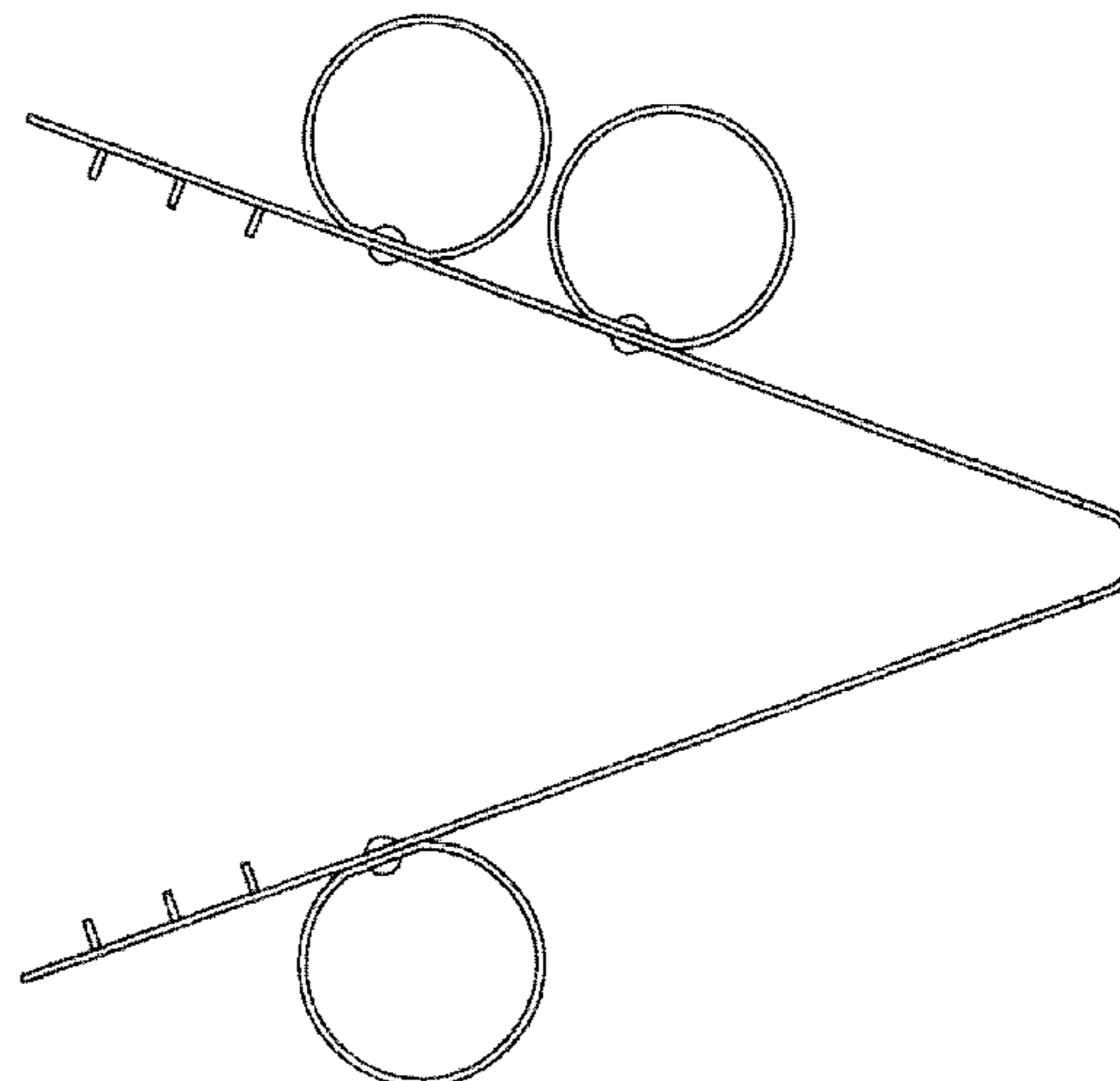
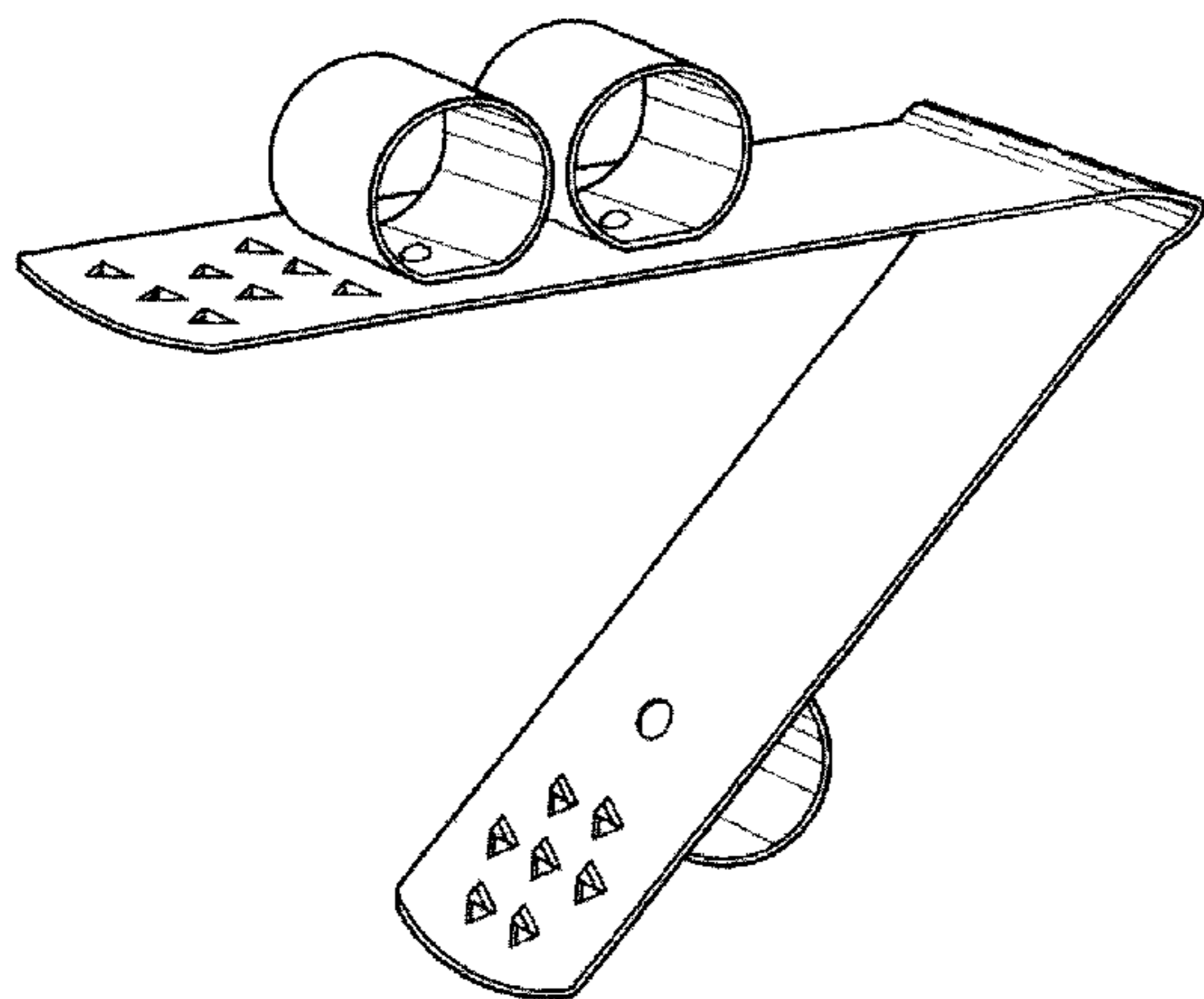
FIG. 3 is a top plan view thereof;

FIG. 4 is bottom plan view thereof;

FIG. 5 is a left side elevational view thereof; and,

FIG. 6 is a right side elevational view thereof.

1 Claim, 4 Drawing Sheets



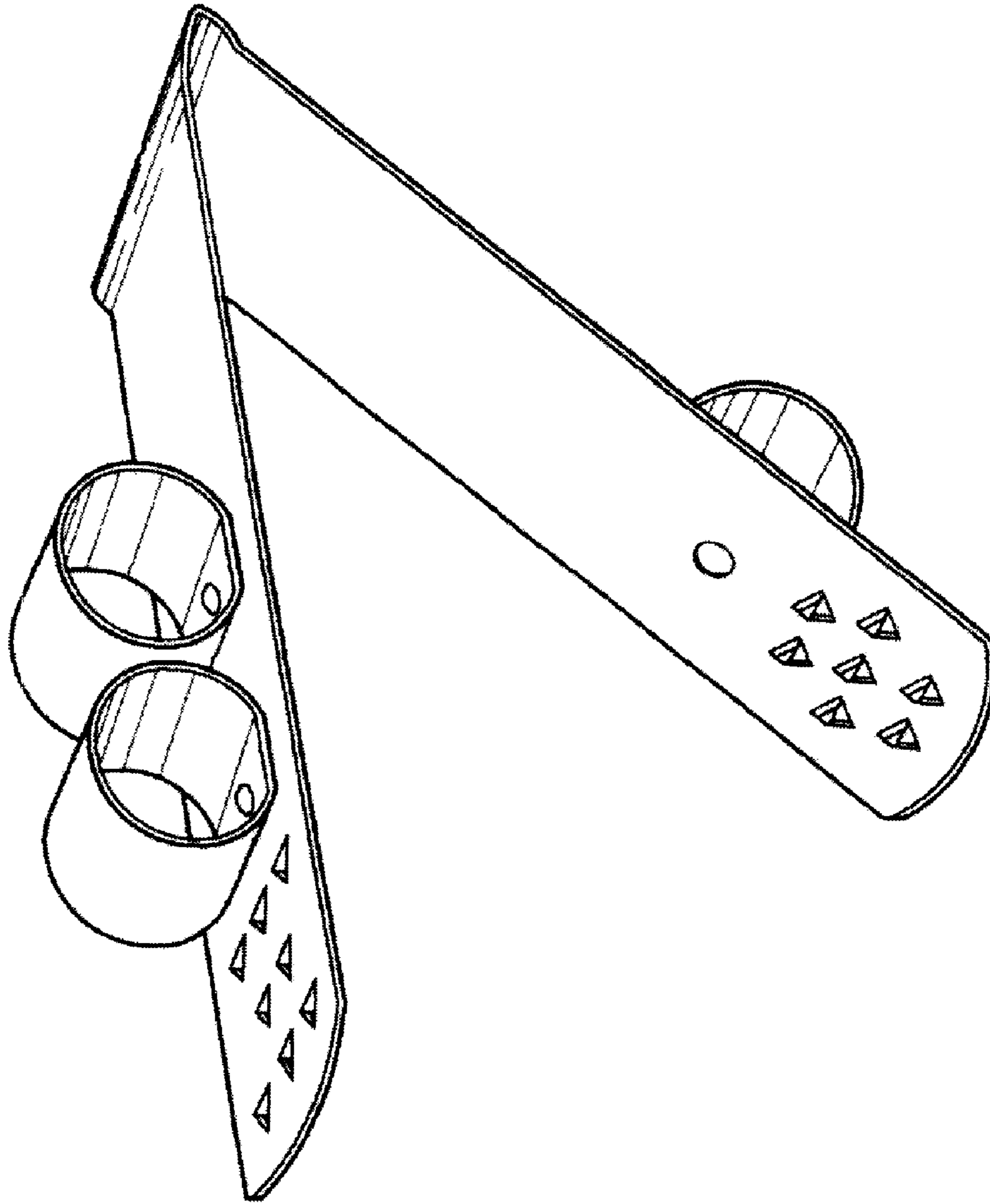


FIG. 1

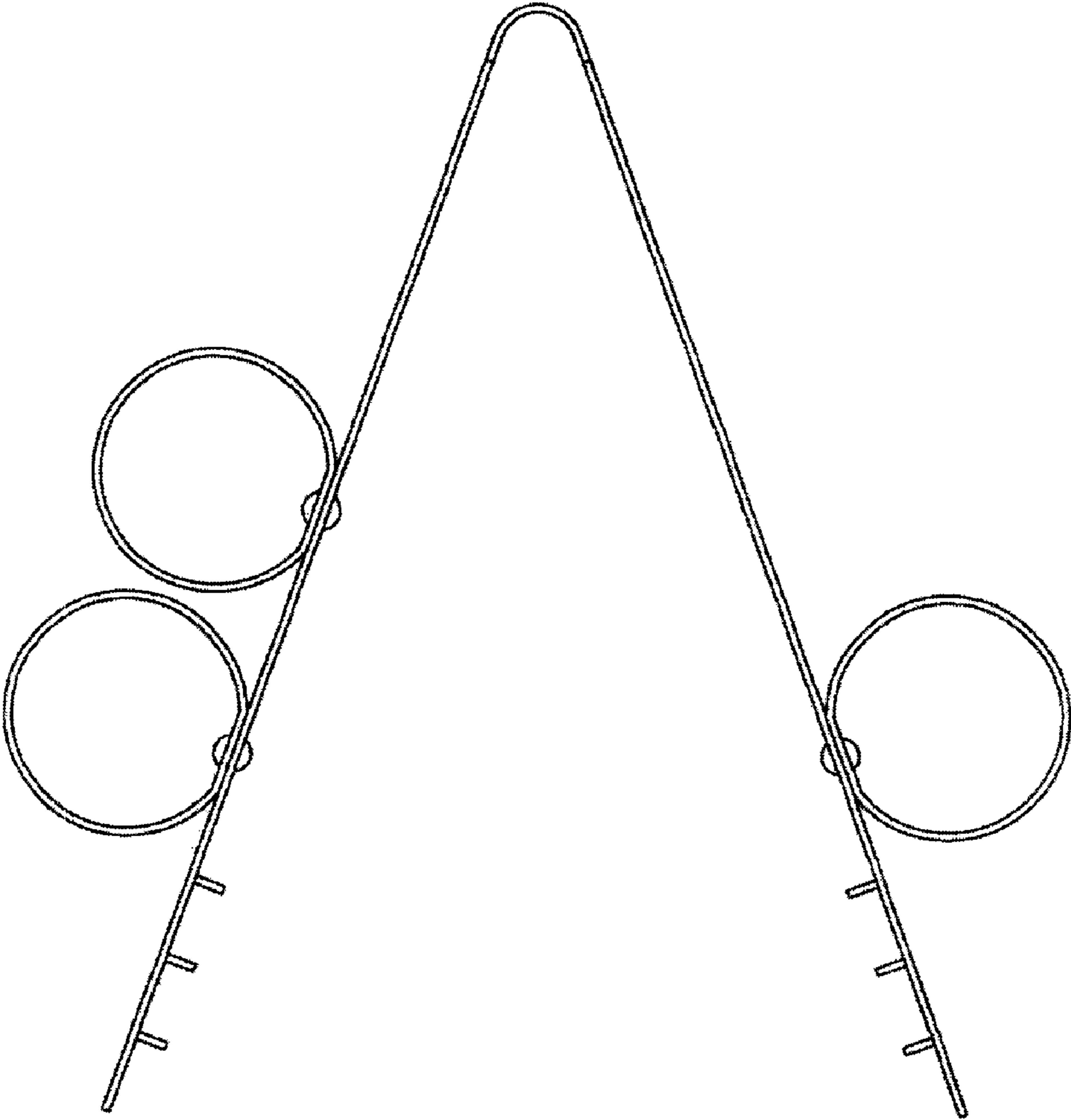


FIG. 2

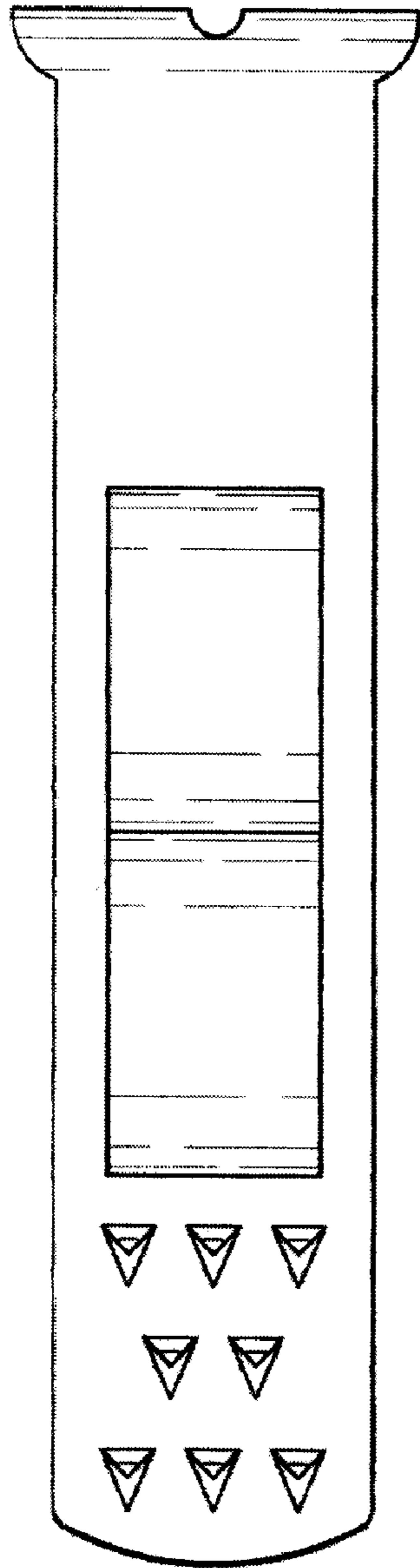


FIG. 3

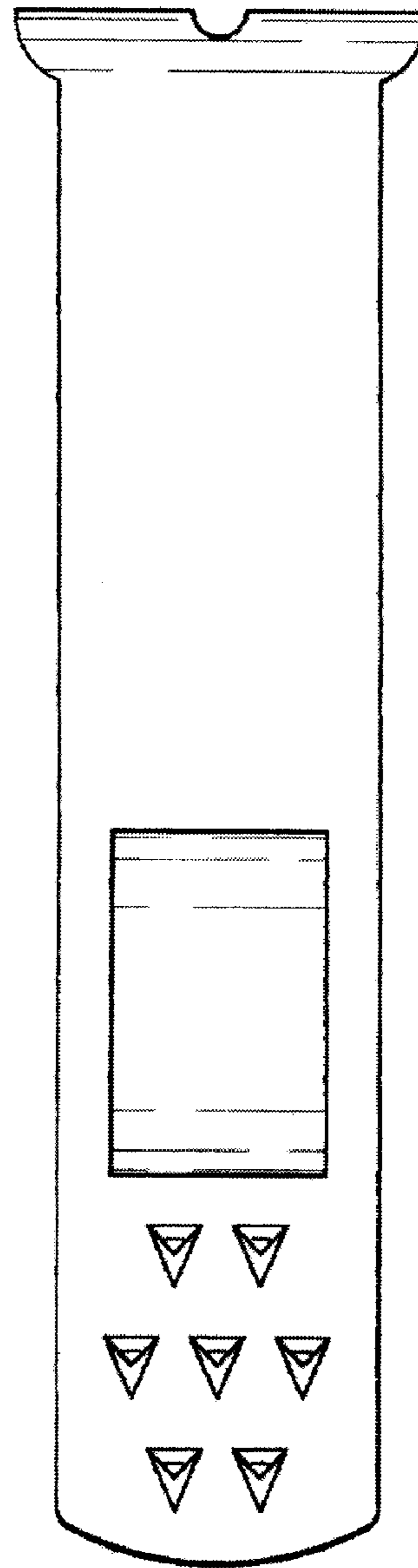


FIG. 4

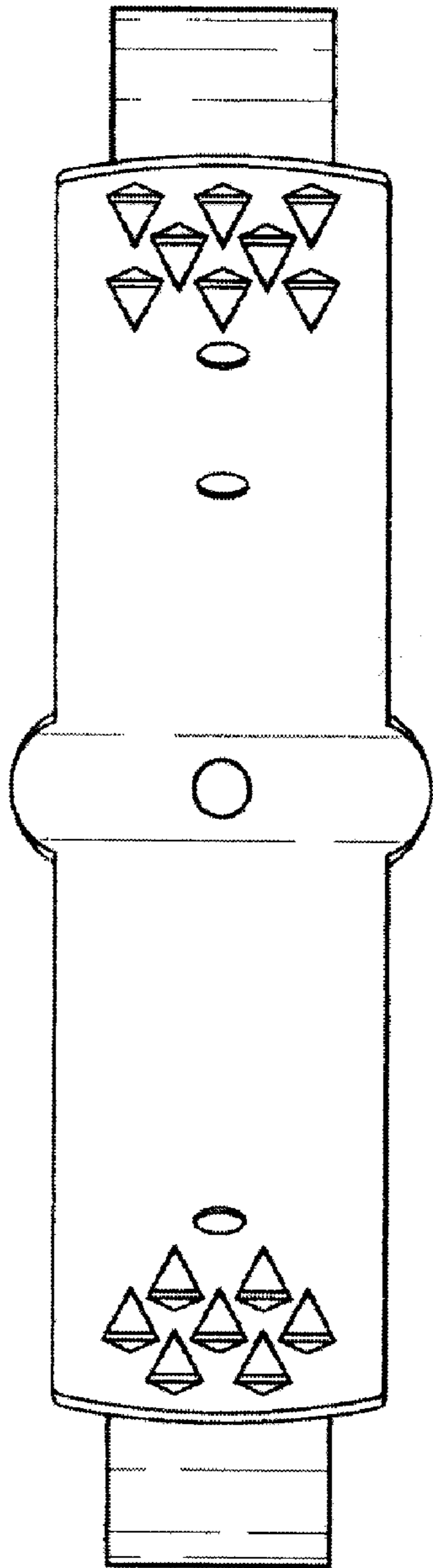


FIG. 5

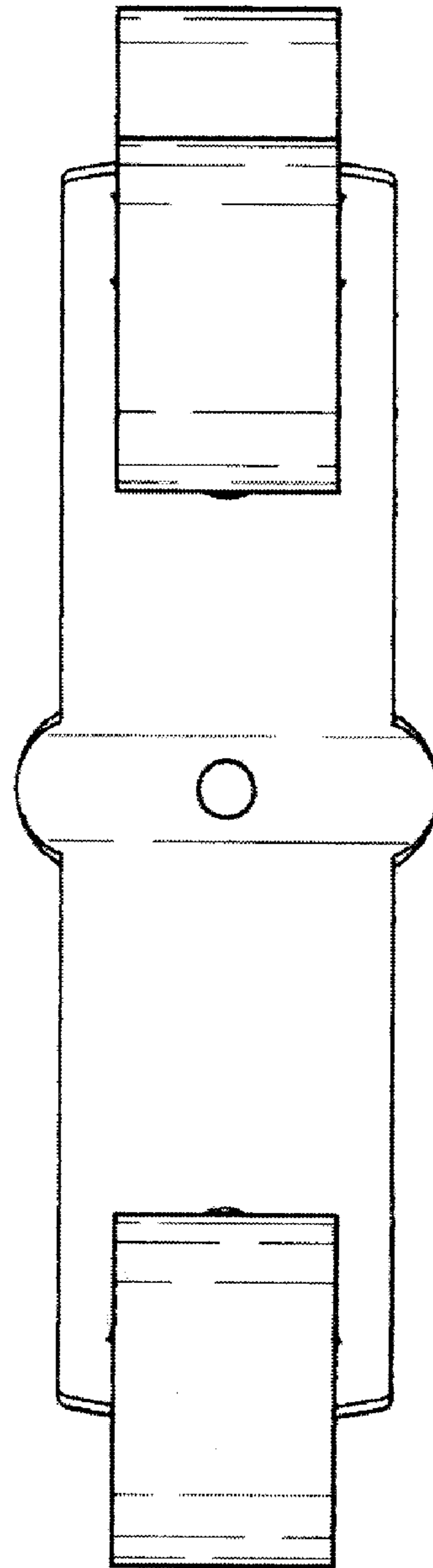


FIG. 6