

US00D532682S

(12) **United States Design Patent**
Maciag

(10) **Patent No.:** **US D532,682 S**

(45) **Date of Patent:** **** Nov. 28, 2006**

(54) **NUT AND BOLT ASSEMBLY**

(76) **Inventor:** **Dennis Maciag**, 894 Belmont Pl.,
Uniondale, NY (US) 11553

(**) **Term:** **14 Years**

(21) **Appl. No.:** **29/218,364**

(22) **Filed:** **Dec. 1, 2004**

(51) **LOC (8) Cl.** **08-08**

(52) **U.S. Cl.** **D8/387**

(58) **Field of Classification Search** D8/387,
D8/397; 411/166, 411, 402, 368, 329, 426
See application file for complete search history.

5,392,487 A	2/1995	Yang	
D363,878 S	* 11/1995	Hayabusa D8/387
D372,857 S	* 8/1996	Hirai D8/387
5,603,661 A	* 2/1997	Grey 470/3
5,715,563 A	2/1998	Marks	
5,743,496 A	* 4/1998	Atkinson, Jr. 246/463
D395,865 S	7/1998	Powell	
2004/0047709 A1	* 3/2004	DiStasio et al. 411/329

* cited by examiner

Primary Examiner—Holly H. Baynham

(74) *Attorney, Agent, or Firm*—Lawrence J. Gibney, Jr.

(57) **CLAIM**

The ornamental design for nut and bolt assembly, as shown and described.

(56) **References Cited**

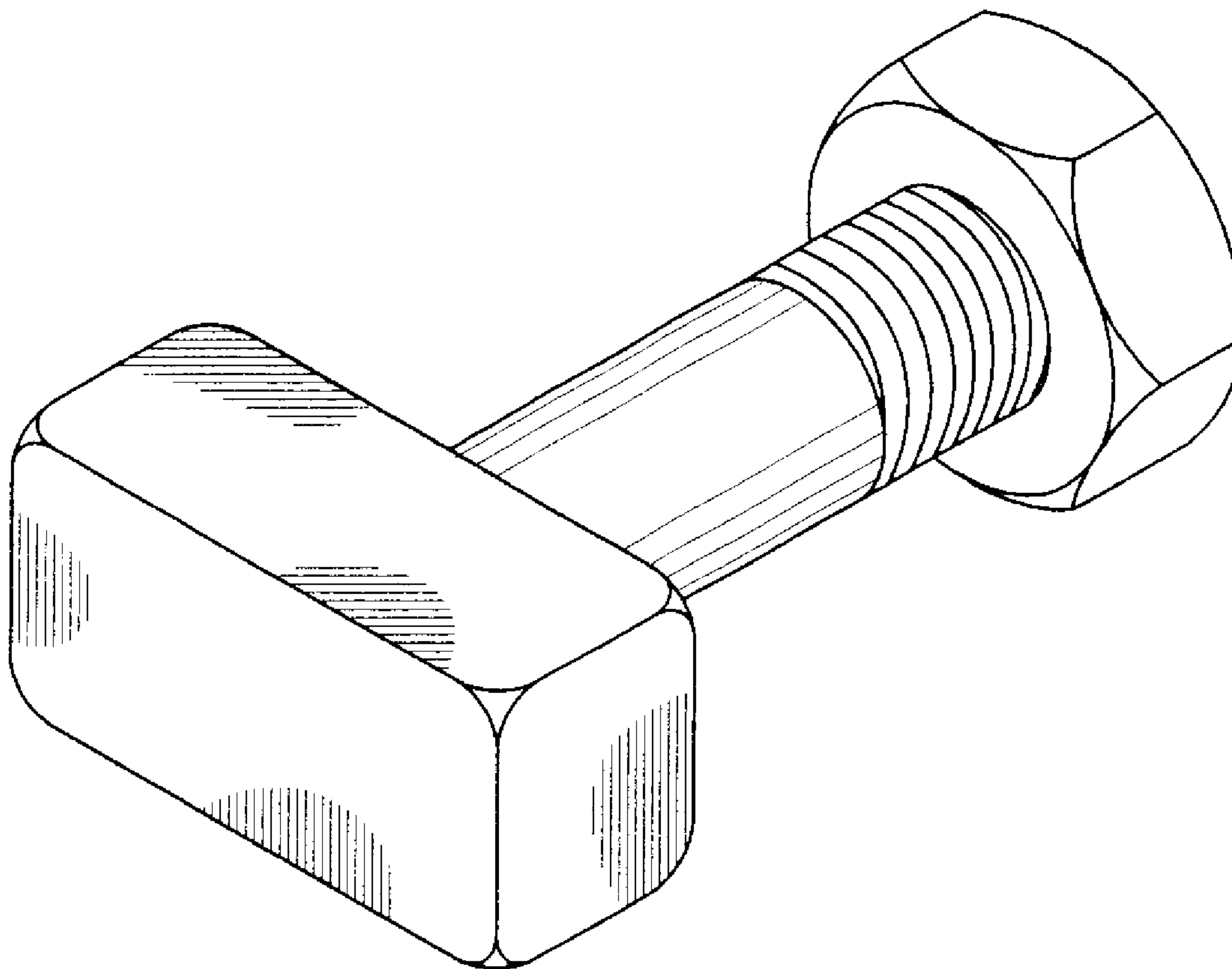
U.S. PATENT DOCUMENTS

1,226,143 A	*	5/1917	Stubblefield et al.	411/329
2,024,054 A	*	12/1935	Money	411/329
D255,647 S	*	7/1980	Ismert et al.	D8/387
4,224,001 A		9/1980	Arndt		
4,866,812 A		9/1989	Arai		
5,382,248 A		1/1995	Jacobson		

DESCRIPTION

FIG. 1 is a front view of the device.
FIG. 2 is a left side view of the device.
FIG. 3 is a top view of the device.
FIG. 4 is a bottom view of the device; and,
FIG. 5 is a perspective view of the nut and bolt assembly.

1 Claim, 2 Drawing Sheets



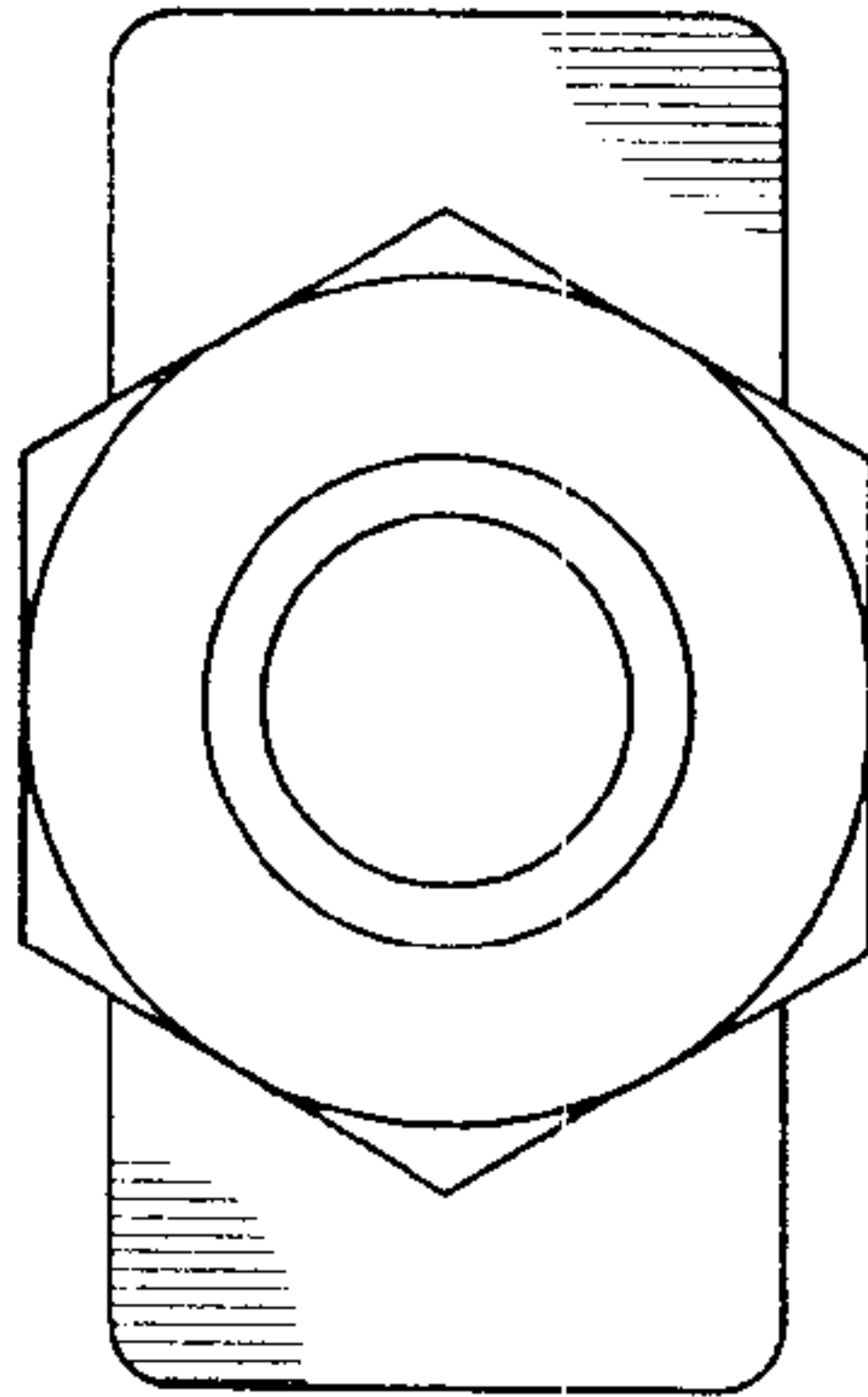


FIG.3

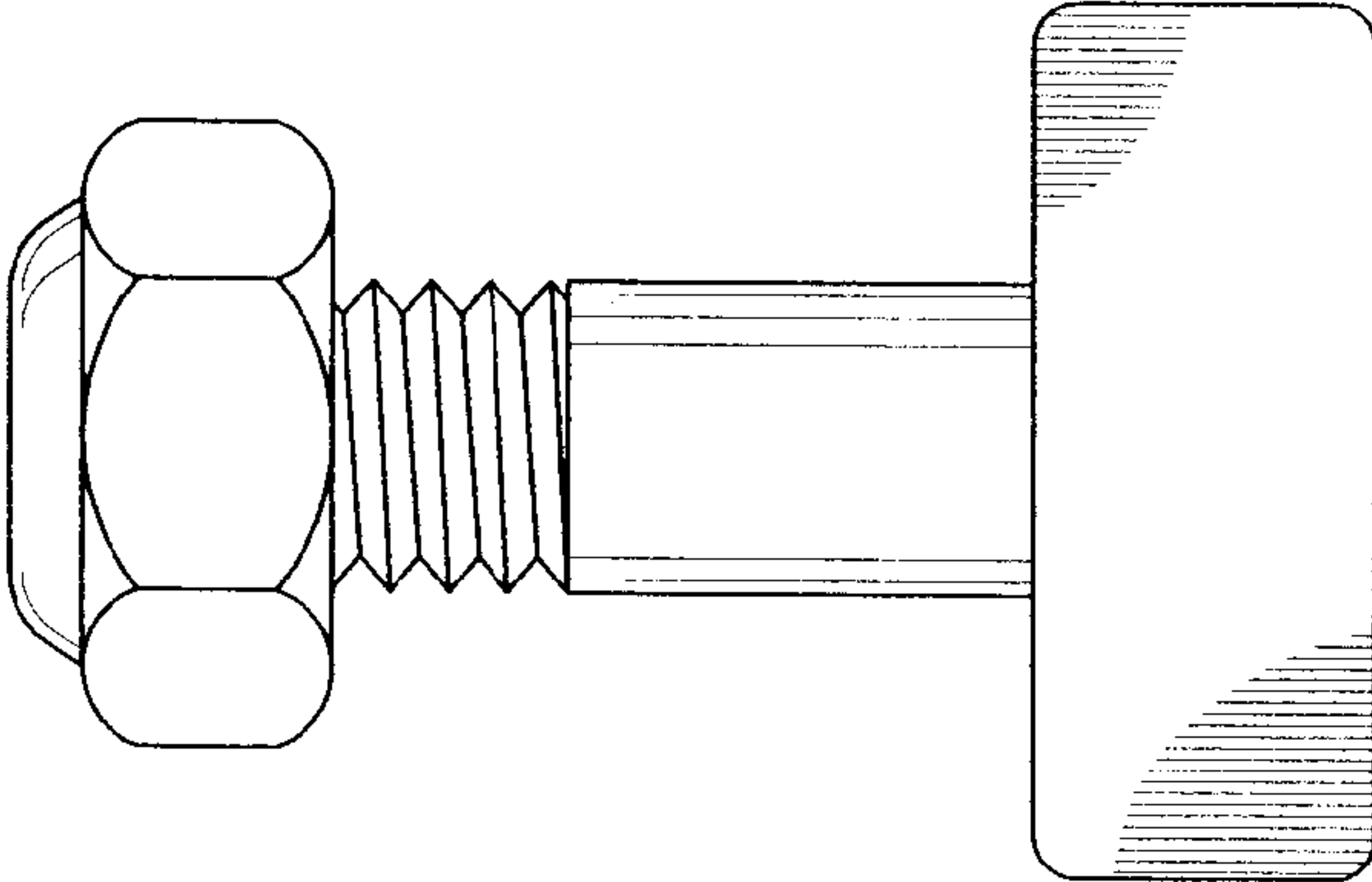


FIG.1

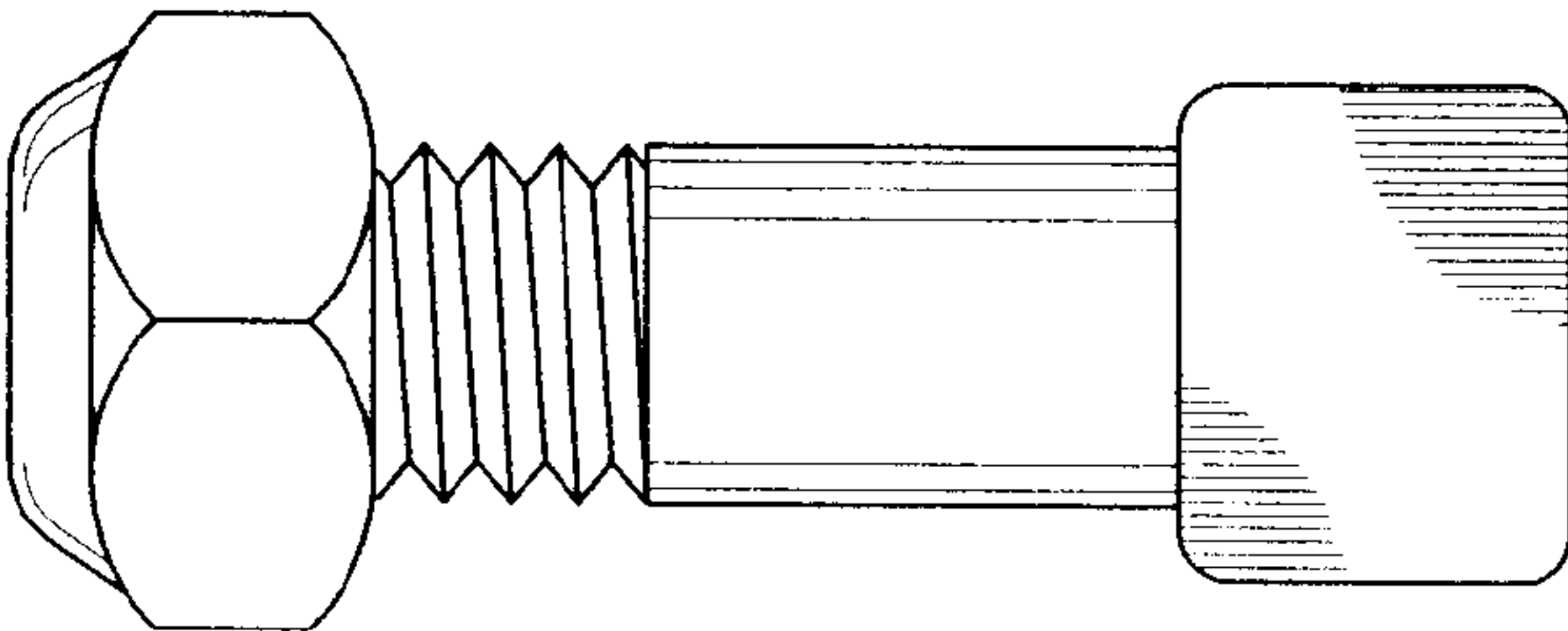


FIG.2

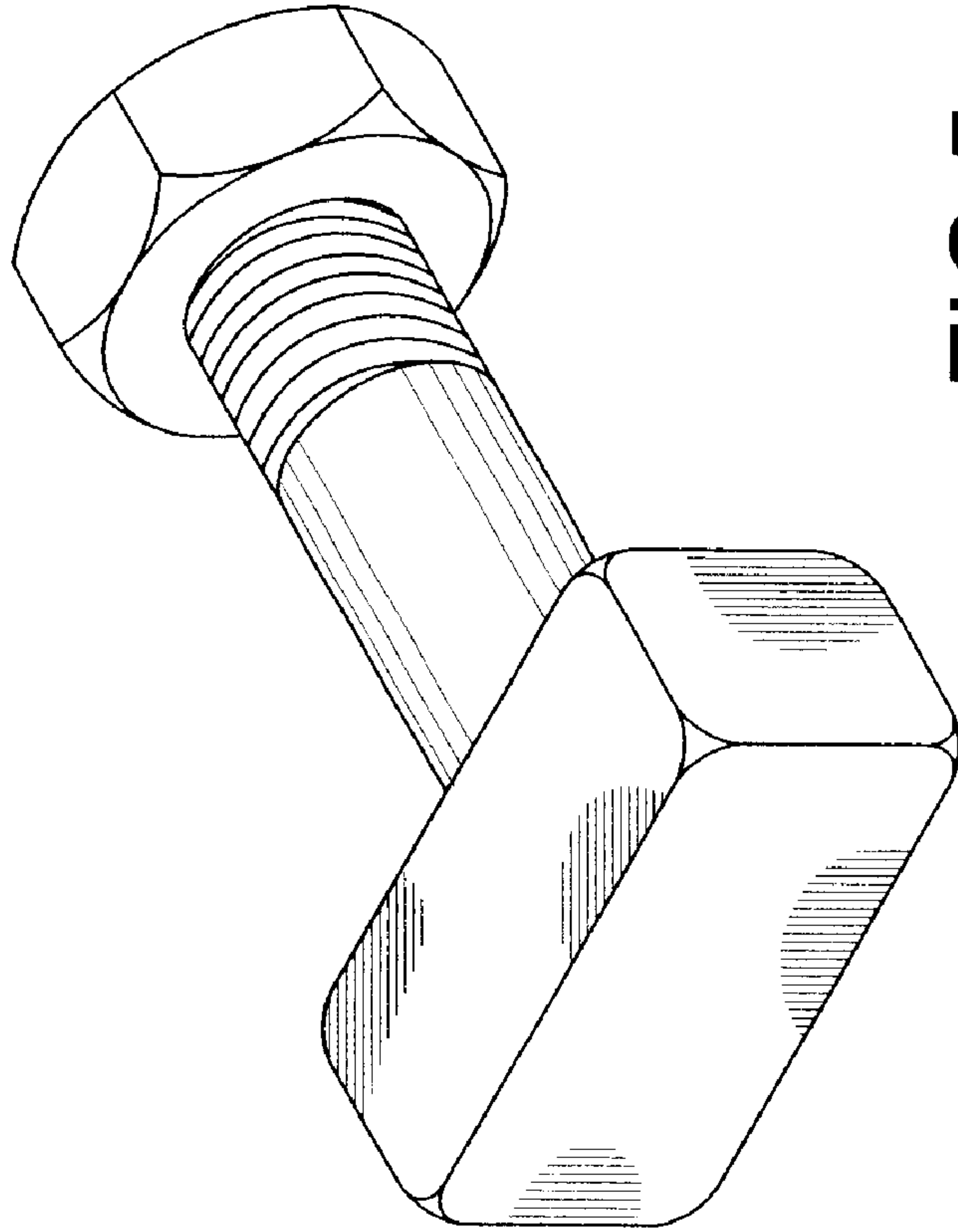


FIG. 5

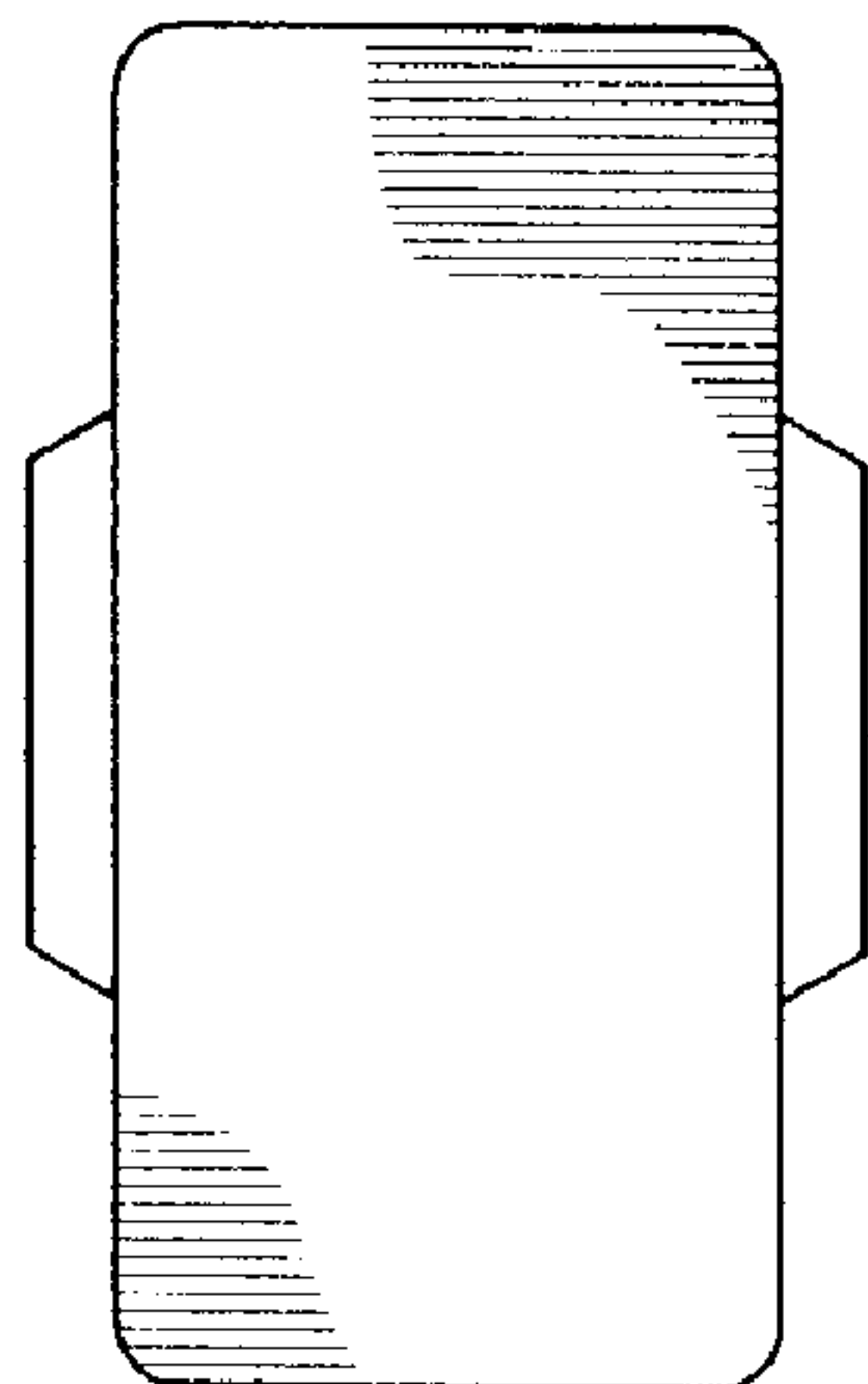


FIG. 4