

US00D532680S

(12) **United States Design Patent**  
**Jackson**

(10) **Patent No.:** **US D532,680 S**

(45) **Date of Patent:** **\*\* Nov. 28, 2006**

(54) **SUPPORT**

(75) Inventor: **Steven Peter Jackson**, Brampton (CA)

(73) Assignee: **Gracious Living Corporation**,  
Woodbridge (CA)

(\*\*) Term: **14 Years**

(21) Appl. No.: **29/245,484**

(22) Filed: **Dec. 27, 2005**

(51) **LOC (8) Cl.** ..... **08-05**

(52) **U.S. Cl.** ..... **D8/367**

(58) **Field of Classification Search** ..... D8/367,  
D8/373, 381; 248/220.41, 220.22, 220.31,  
248/300, 200

See application file for complete search history.

(56) **References Cited**

**U.S. PATENT DOCUMENTS**

3,409,260	A	*	11/1968	Bleed	.....	248/220.22
4,452,360	A	*	6/1984	Barnes	.....	211/59.1
D301,406	S		6/1989	Barbieri et al.		
D315,860	S		4/1991	Joss et al.		
D327,641	S		7/1992	Hoskinson et al.		

D406,485 S 3/1999 Paikos et al.

D497,794 S \* 11/2004 Anderson et al. .... D8/367

\* cited by examiner

*Primary Examiner*—Holly H. Baynham

(74) *Attorney, Agent, or Firm*—Bereskin & Parr

(57) **CLAIM**

The ornamental design for a support, as described and shown.

**DESCRIPTION**

FIG. 1 is a perspective view from the front and one side of the support;

FIG. 2 is a perspective view from the rear and one side of the support of FIG. 1;

FIG. 3 is a side elevation view from one side of the support of FIG. 1;

FIG. 4 is a front elevation view of the support of FIG. 1;

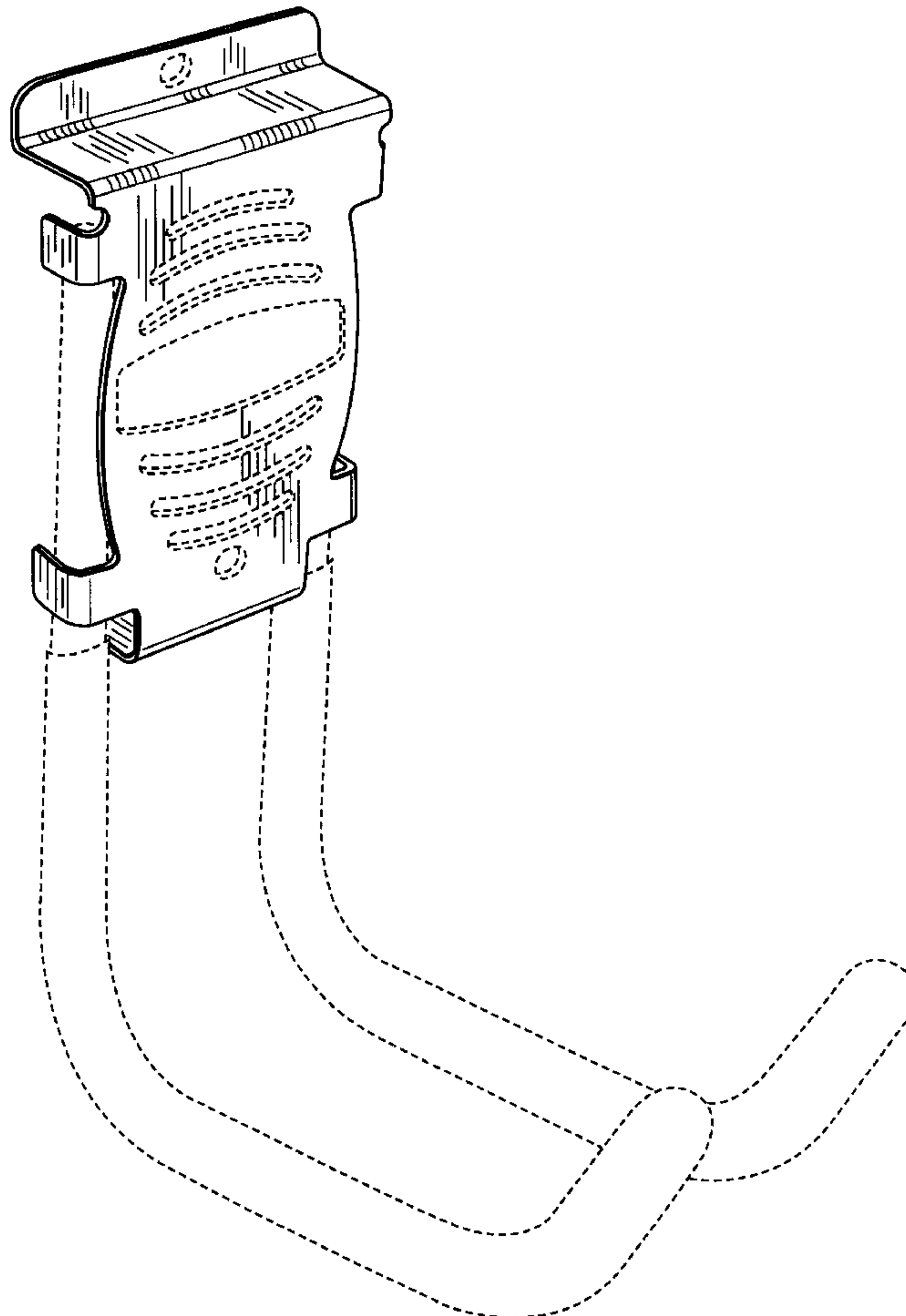
FIG. 5 is a rear elevation view of the support of FIG. 1;

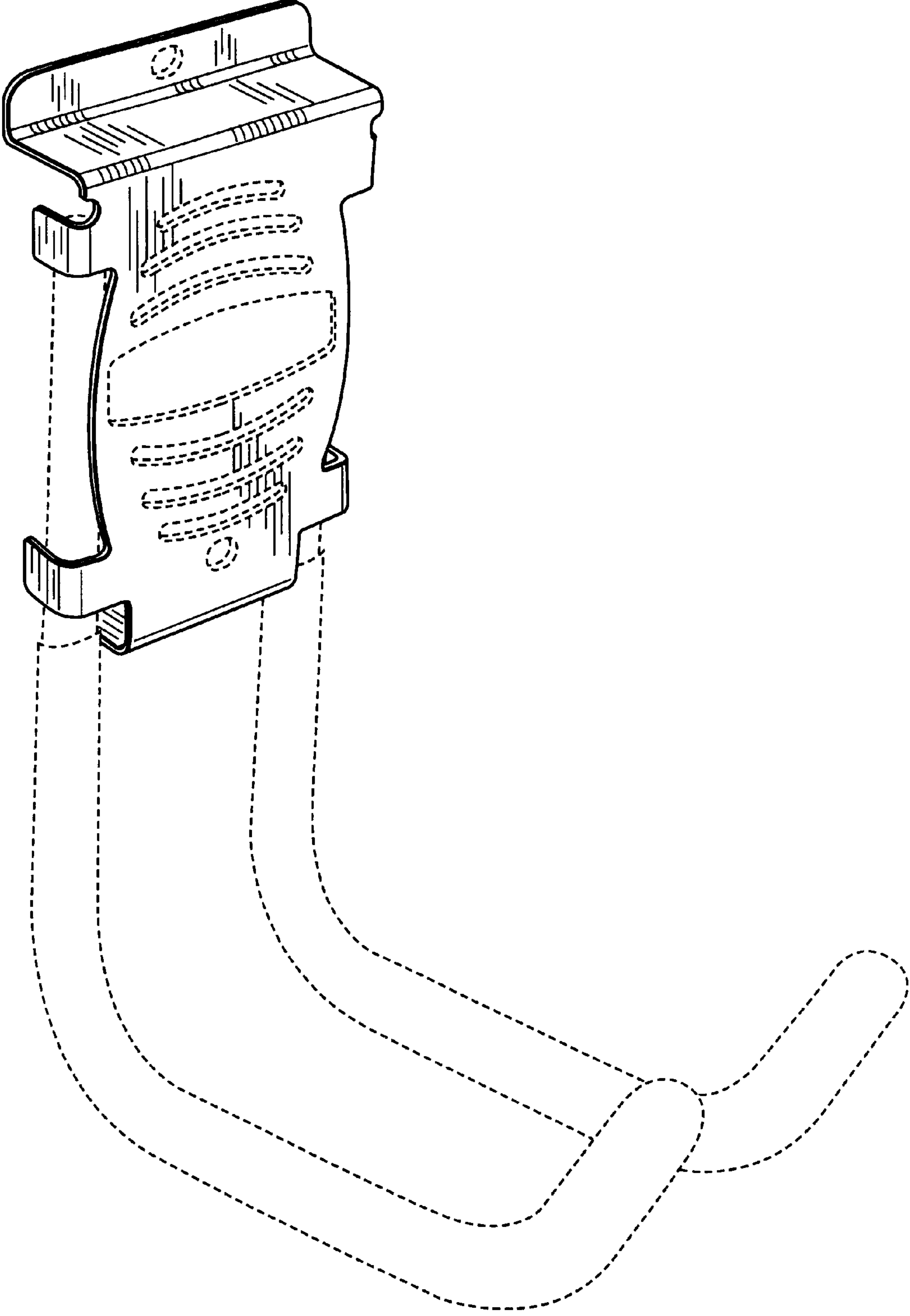
FIG. 6 is a top plan view of the support of FIG. 1; and,

FIG. 7 is a bottom plan view of the support of FIG. 1.

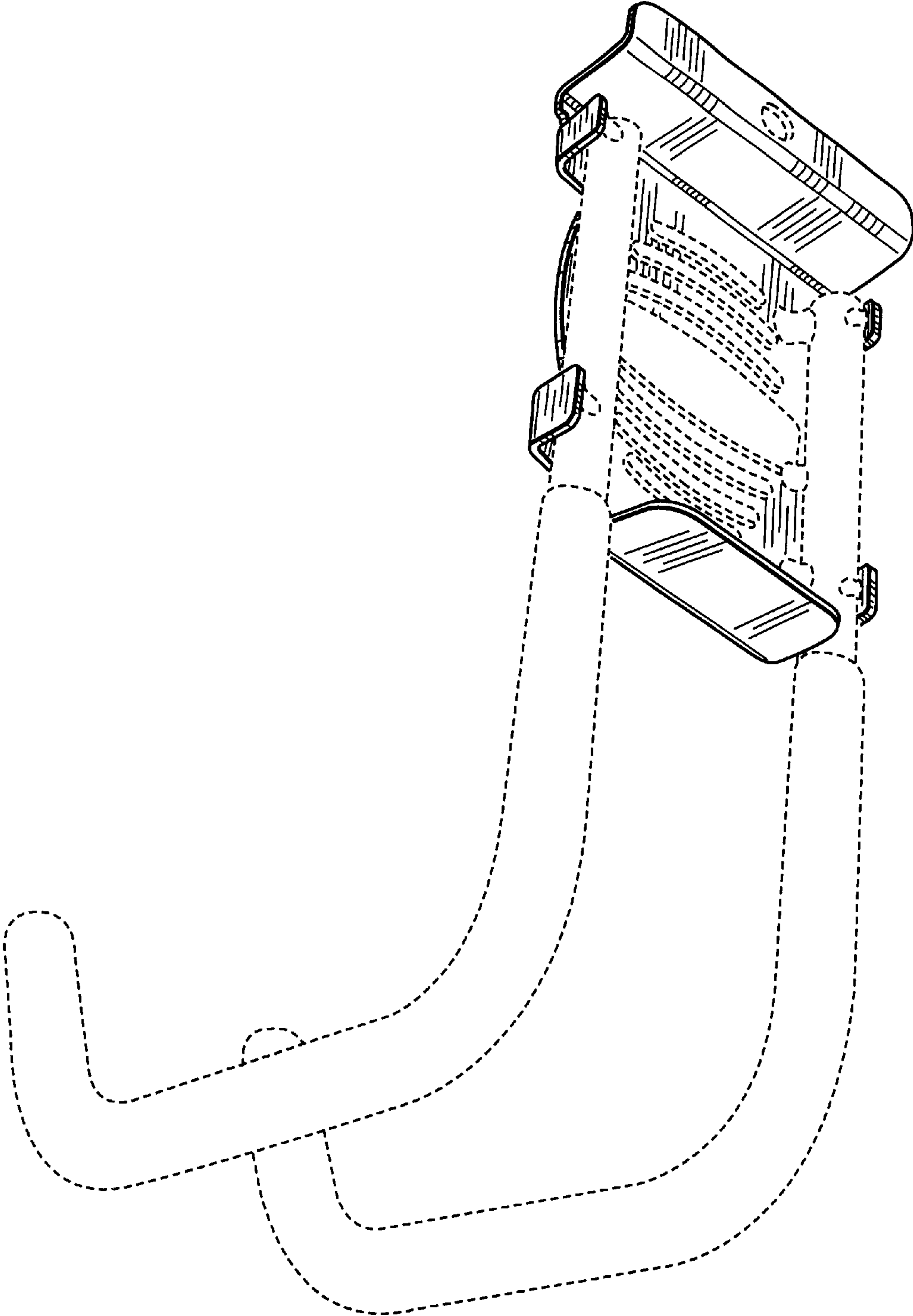
The matter shown in broken lines is environmental structure and forms no part of the claimed design.

**1 Claim, 5 Drawing Sheets**

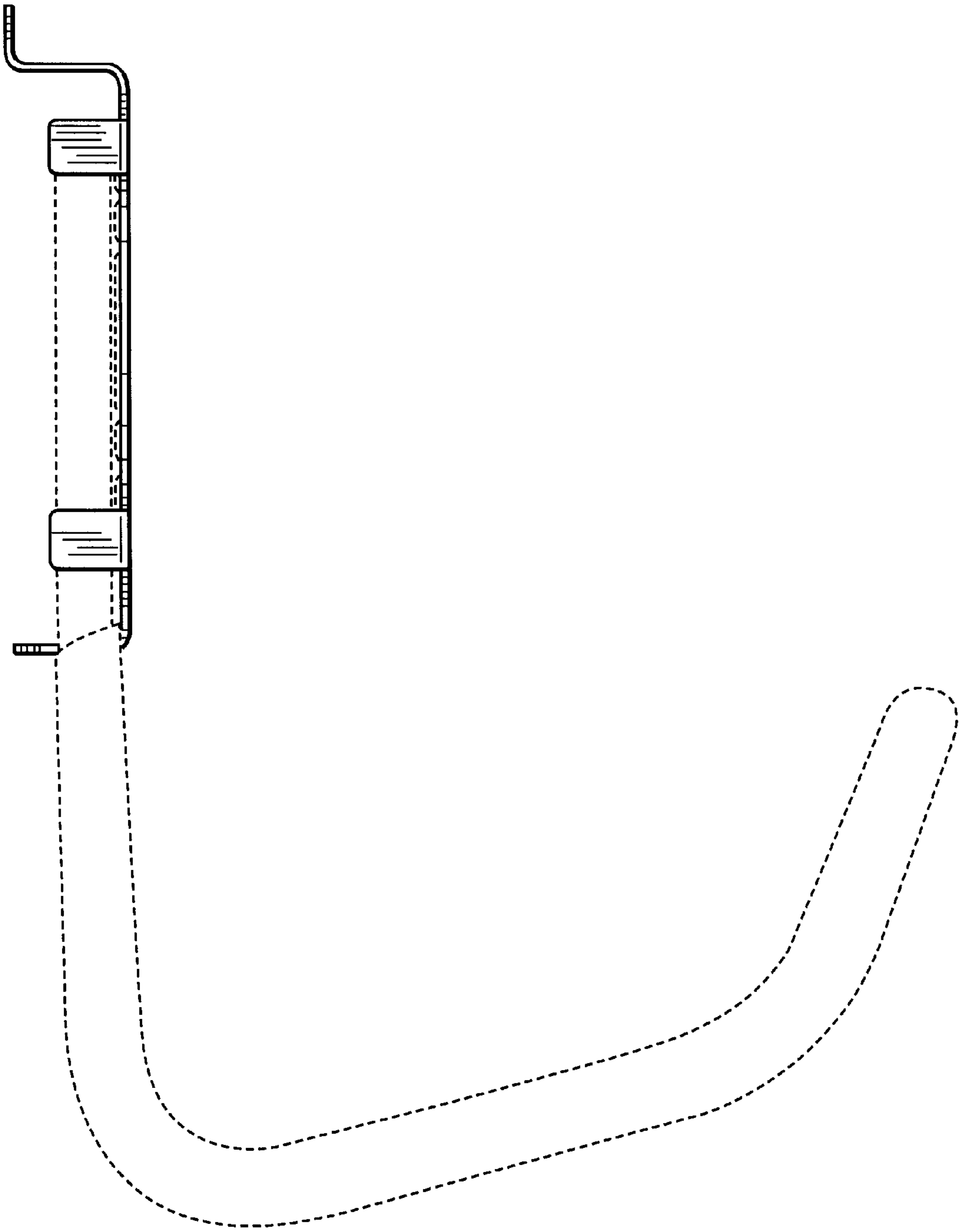




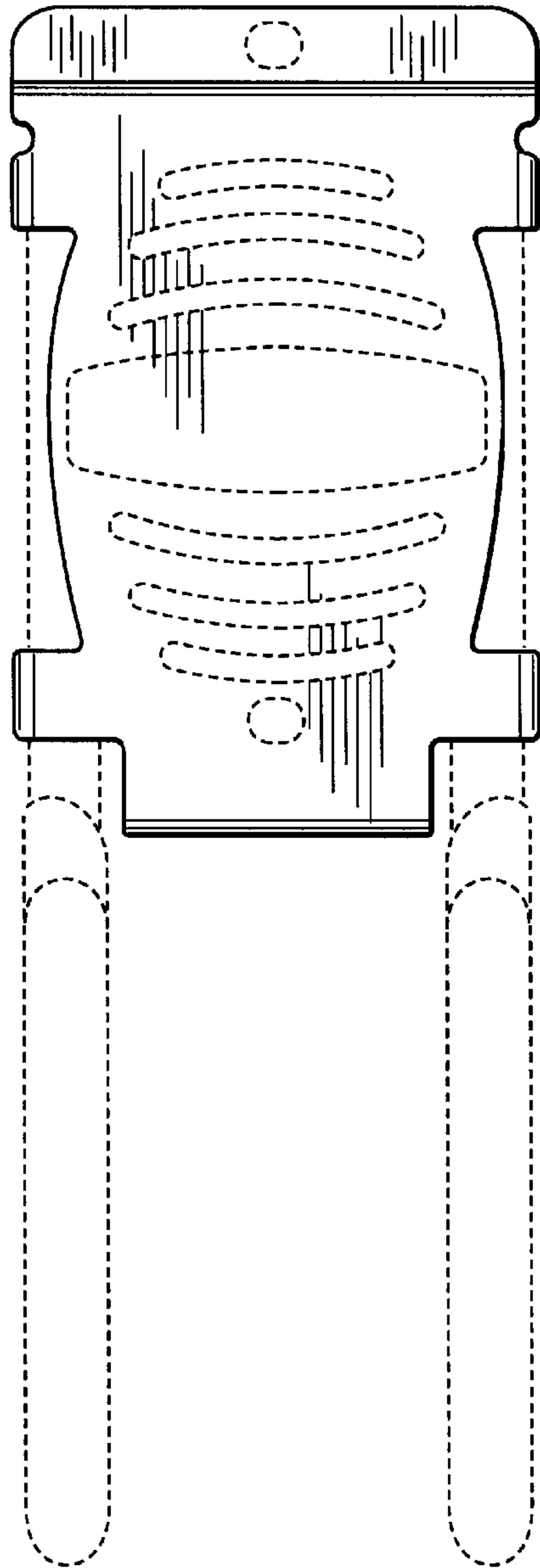
**FIG. 1**



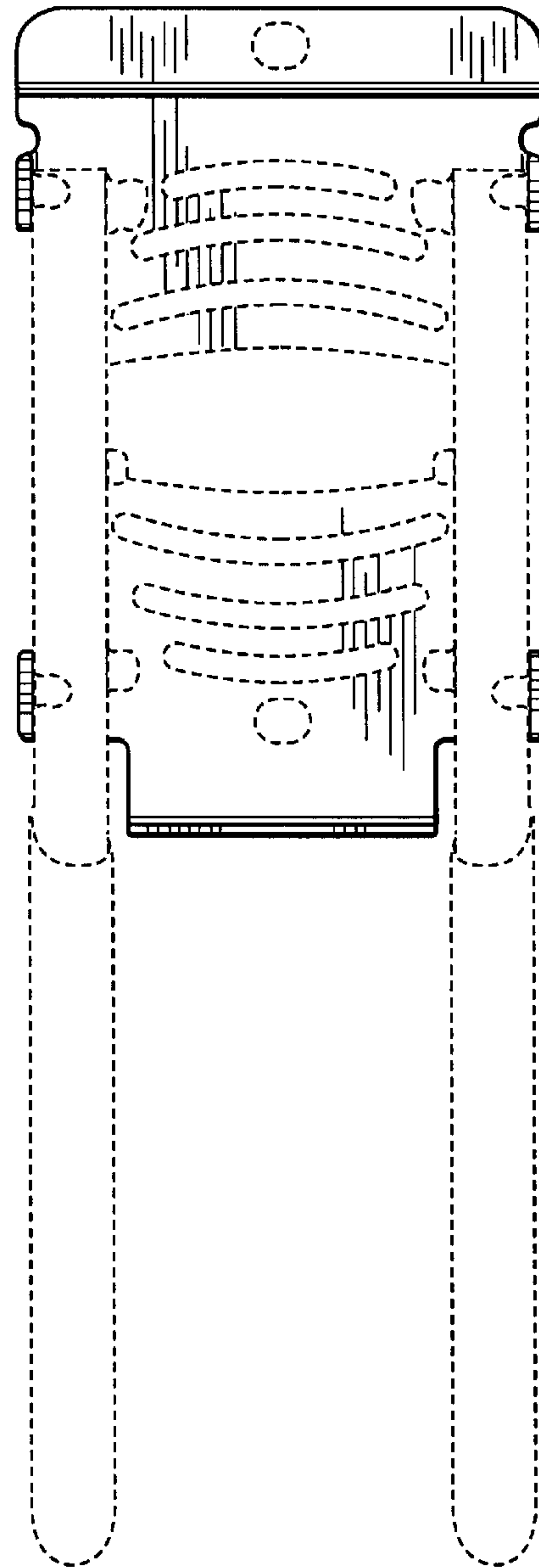
**FIG. 2**



**FIG. 3**



**FIG. 4**



**FIG. 5**

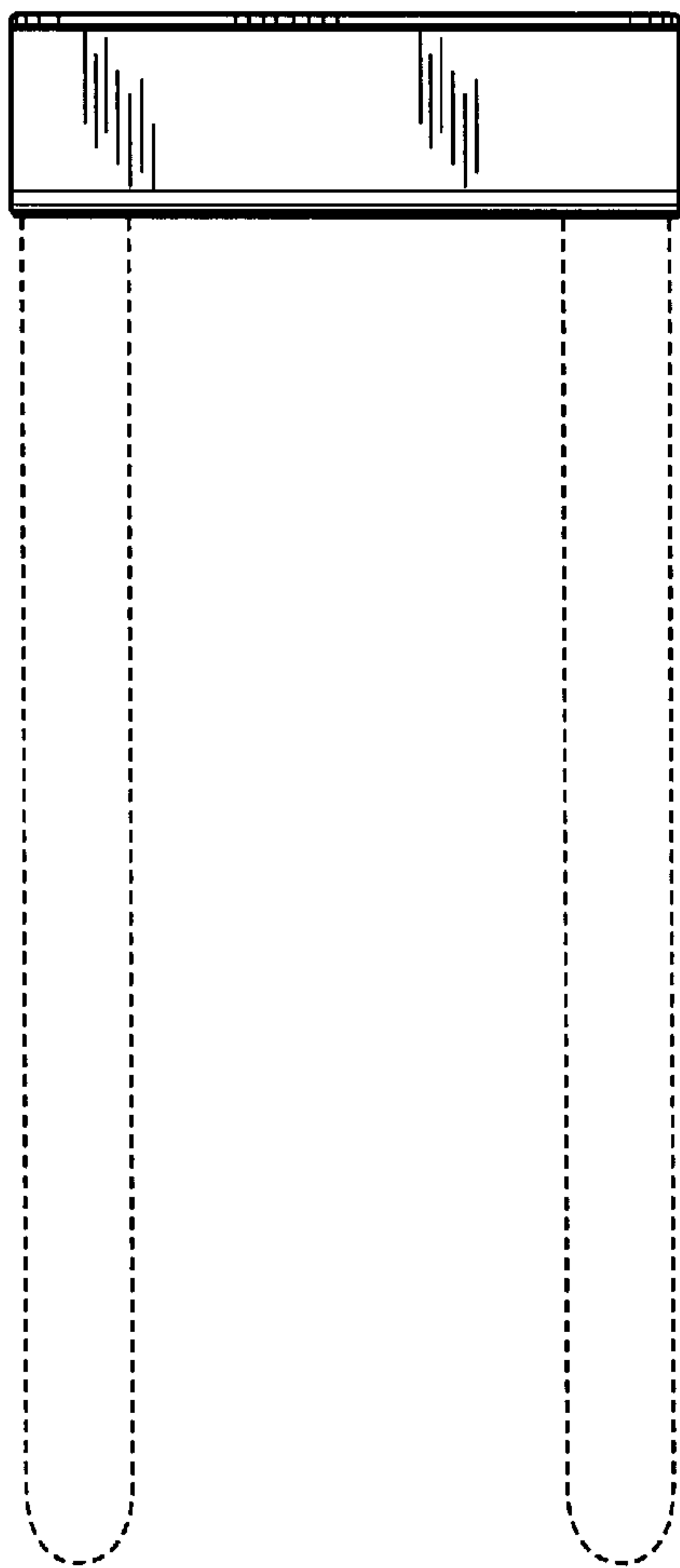


FIG. 6

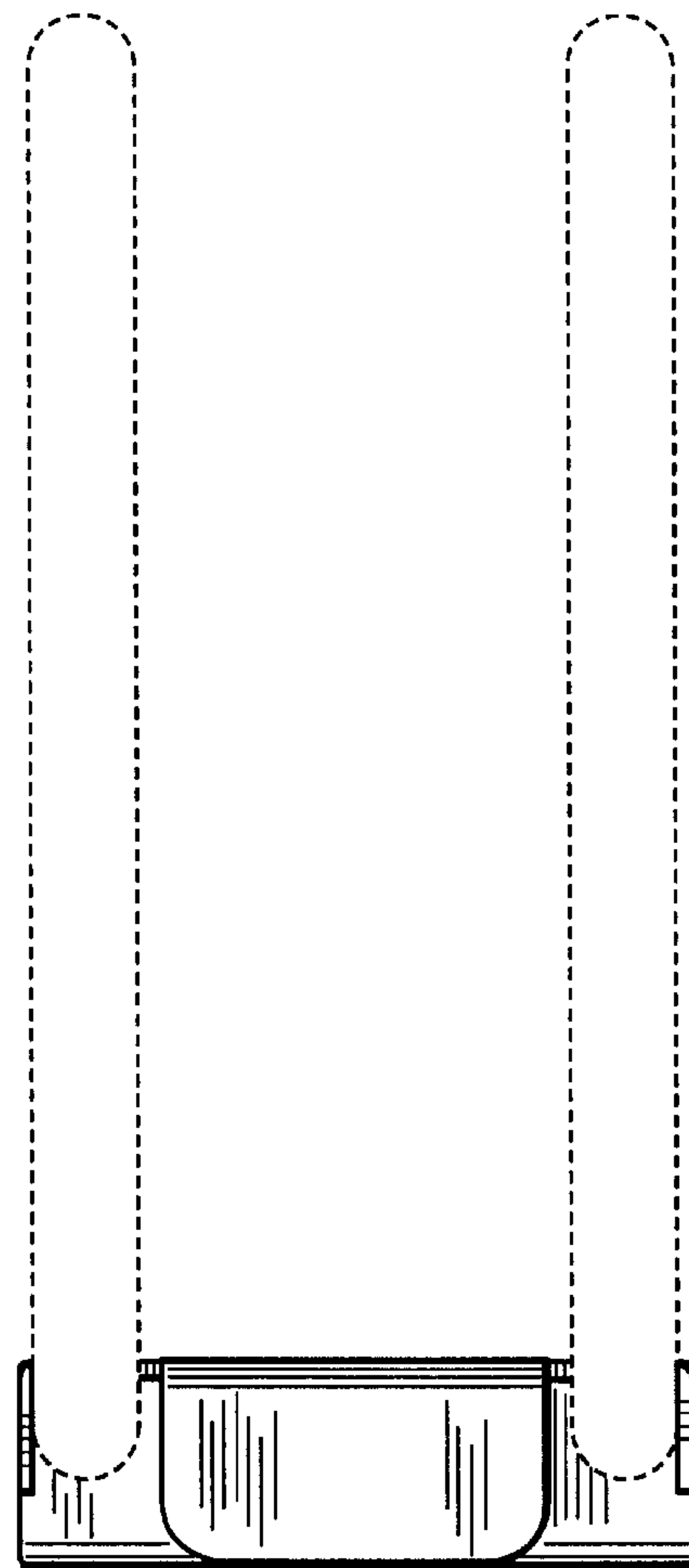


FIG. 7