



US00D532673S

(12) **United States Design Patent**
Weinerman et al.

(10) **Patent No.:** **US D532,673 S**

(45) **Date of Patent:** **** Nov. 28, 2006**

(54) **FRONT PORTION OF A HANDLE AND HOUSING ASSEMBLY**

(75) Inventors: **Lee S. Weinerman**, Medina, OH (US);
Scott S. Kalanish, Hiram, OH (US)

(73) Assignee: **The Eastern Company**, Cleveland, OH (US)

(**) Term: **14 Years**

(21) Appl. No.: **29/225,254**

(22) Filed: **Mar. 14, 2005**

(51) **LOC (8) Cl.** **08-06**

(52) **U.S. Cl.** **D8/301**

(58) **Field of Classification Search** D8/301,
D8/302, 306, 307, 321, 336, 337, 338, 350,
D8/401, 352, 353; 292/336.3, DIG. 2, DIG. 3,
292/DIG. 30, DIG. 31; 70/208, 210; 84/95.2;
220/231

See application file for complete search history.

(56) **References Cited**

U.S. PATENT DOCUMENTS

D119,418 S	3/1940	Anderson et al.	
2,402,348 A	6/1946	Schroeder	
2,729,089 A	1/1956	Pelcin	
2,735,706 A	2/1956	Pelcin	
2,991,904 A	7/1961	Carideo	
3,333,878 A	8/1967	Pelcin	
3,457,744 A	7/1969	Bisbing	
D236,875 S	* 9/1975	Tegner D8/401
3,953,061 A	4/1976	Hansen et al.	
4,370,874 A	2/1983	Munn	
4,641,865 A	2/1987	Pastva	
4,706,478 A	11/1987	Swan et al.	
4,714,283 A	12/1987	Dignan	
4,838,054 A	6/1989	Weinerman et al.	
4,892,338 A	1/1990	Weinerman et al.	
D316,365 S	4/1991	Hansen et al.	
5,015,019 A	5/1991	Razdolsky	
D317,398 S	6/1991	Hansen et al.	
5,052,869 A	10/1991	Hansen, II	
D323,776 S	2/1992	Hansen	

D323,970 S	2/1992	Schlack
D328,231 S	7/1992	Hansen
5,526,660 A	6/1996	Bennett et al.
5,585,578 A	12/1996	Shimotori
5,595,076 A	1/1997	Weinerman et al.
D389,393 S	1/1998	Hansen
5,938,248 A	8/1999	Vickers et al.
5,984,383 A	11/1999	Parikh et al.
D427,882 S	7/2000	Wytcherley et al.
D442,844 S	5/2001	Mirick
D456,237 S	4/2002	Sokurenko et al.
6,490,895 B1	12/2002	Weinerman et al.

(Continued)

Primary Examiner—Paula A. Greene

(74) *Attorney, Agent, or Firm*—David A. Burge

(57) **CLAIM**

We claim the ornamental design for front portion of a handle and housing assembly, as shown and described.

DESCRIPTION

FIG. 1 is a front perspective view of a front portion of a handle and housing assembly showing our new design;

FIG. 2 is a front view thereof;

FIG. 3 is a left side view thereof, it being understood that a right side view is identical hereto but a mirror image reversal hereof;

FIG. 4 is a top view thereof;

FIG. 5 is a bottom view thereof;

FIG. 6 is a front perspective view of a second embodiment of a front portion of a handle and housing assembly showing our new design, the only difference being the extended handle;

FIG. 7 is a front view thereof;

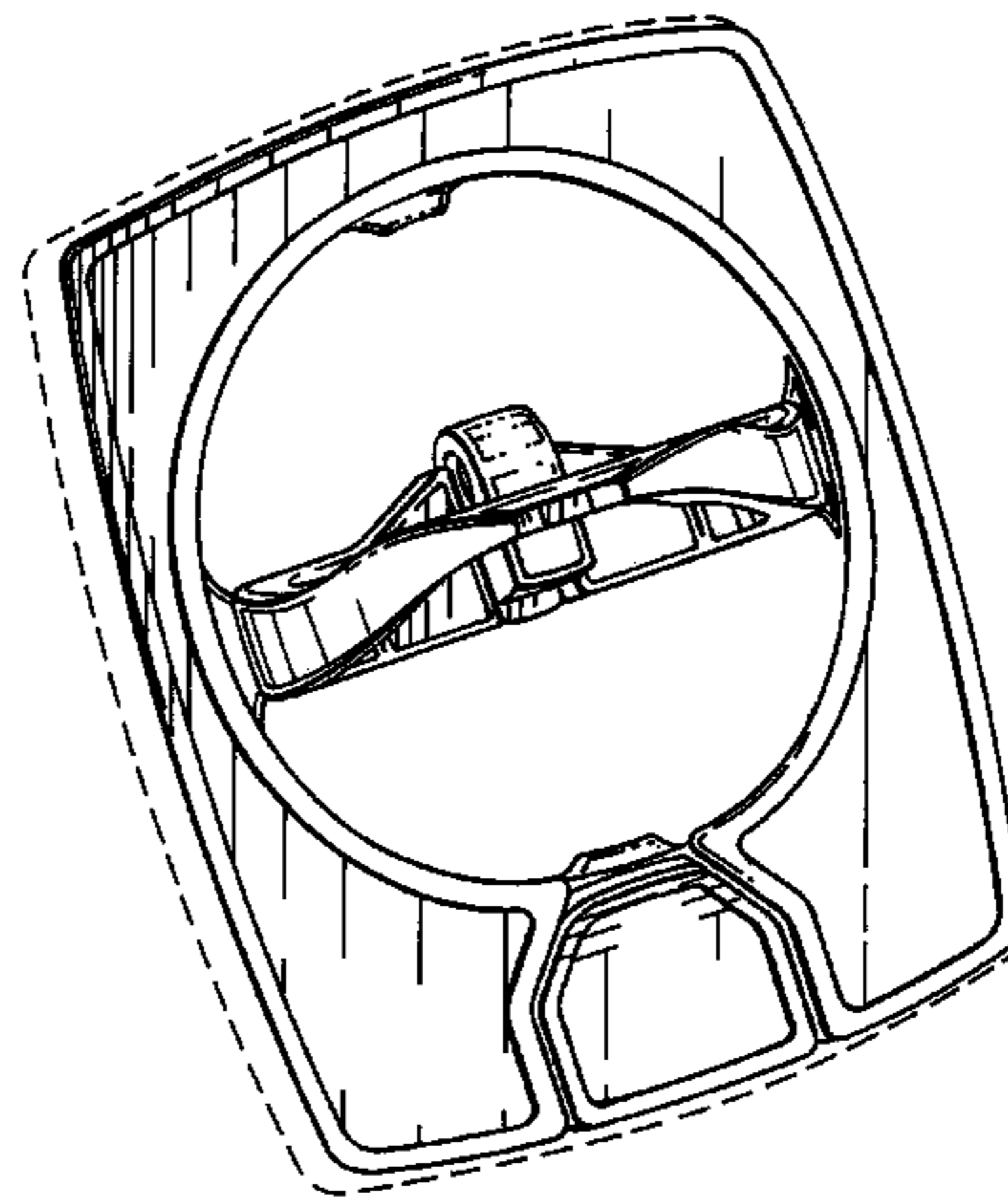
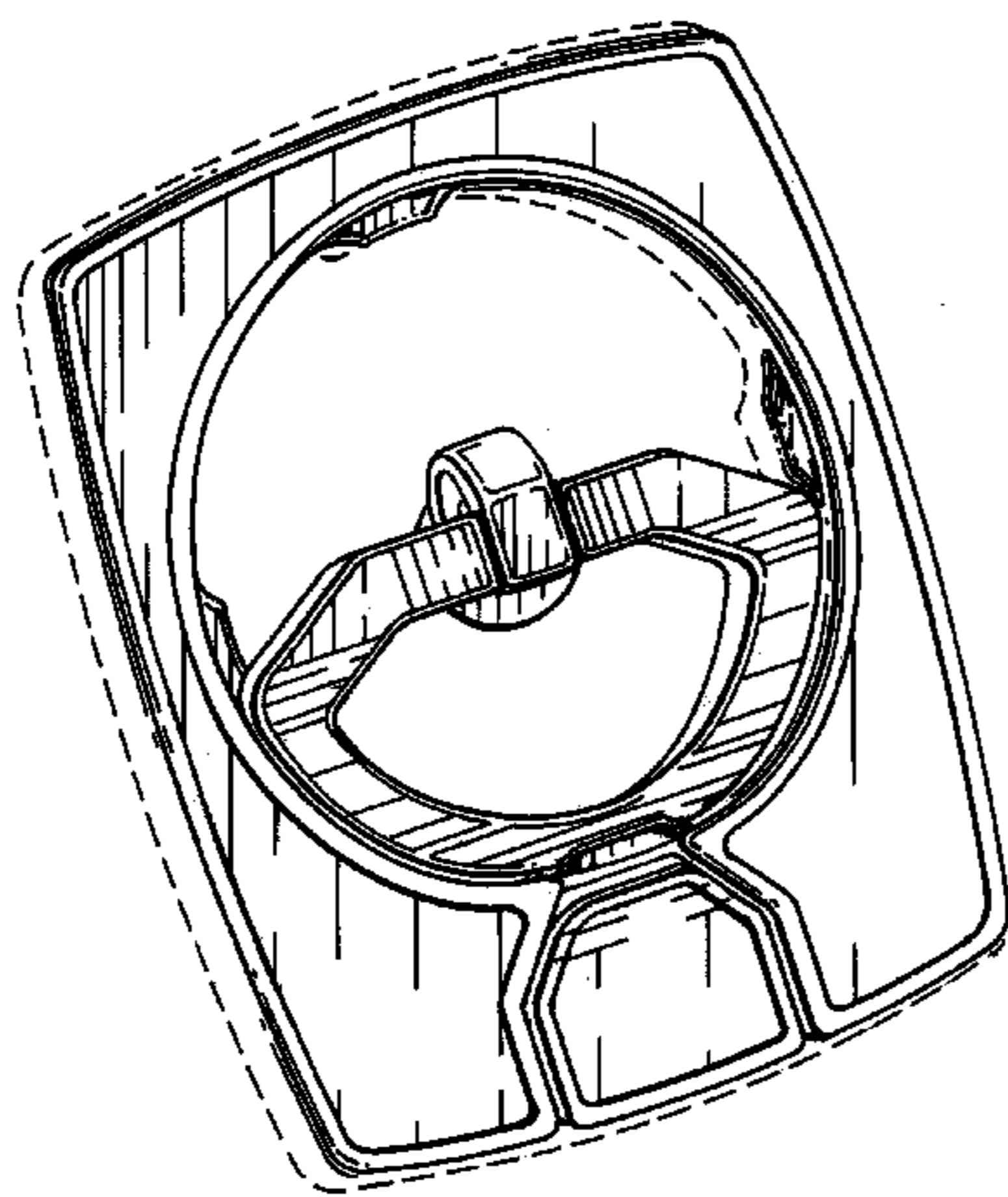
FIG. 8 is a left side view thereof, it being understood that a right side view is identical hereto but a mirror image reversal hereof;

FIG. 9 is a top view thereof; and,

FIG. 10 is a bottom view thereof.

The broken lines are for illustrative purposes only and form no part of the claimed design.

1 Claim, 6 Drawing Sheets



US D532,673 S

Page 2

U.S. PATENT DOCUMENTS

D469,678 S	2/2003	Teskey	D484,024 S	12/2003	Teskey et al.
6,513,353 B1	2/2003	Weinerman et al.	6,666,053 B1	12/2003	Sadler
6,530,250 B1	3/2003	Linares et al.	D488,994 S	4/2004	Hansen
6,532,778 B1	3/2003	Molzer et al.	D490,292 S	5/2004	Hansen
6,623,052 B1	9/2003	Hansen	6,952,940 B1	10/2005	Molzer et al.

* cited by examiner

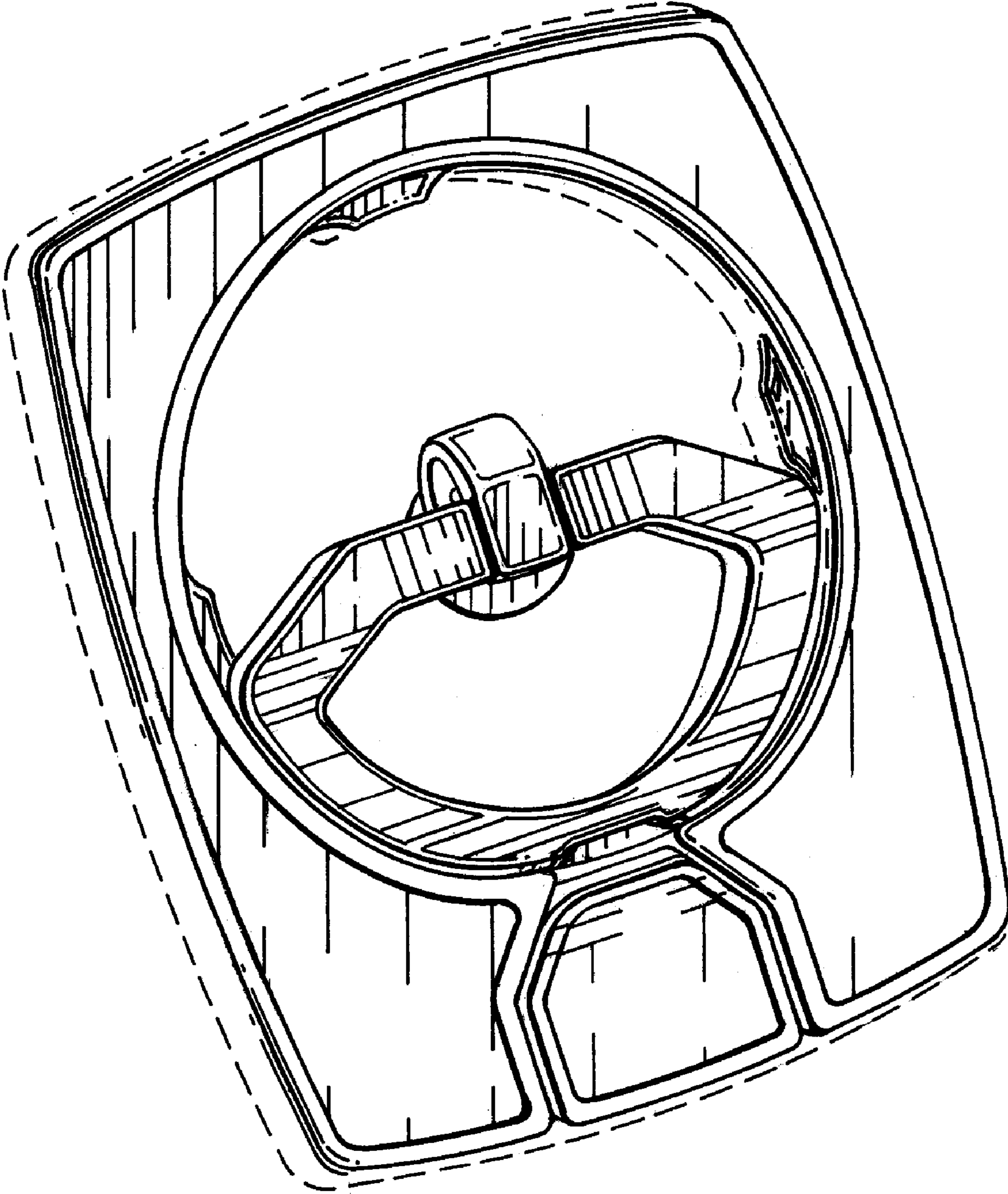


FIG. 1

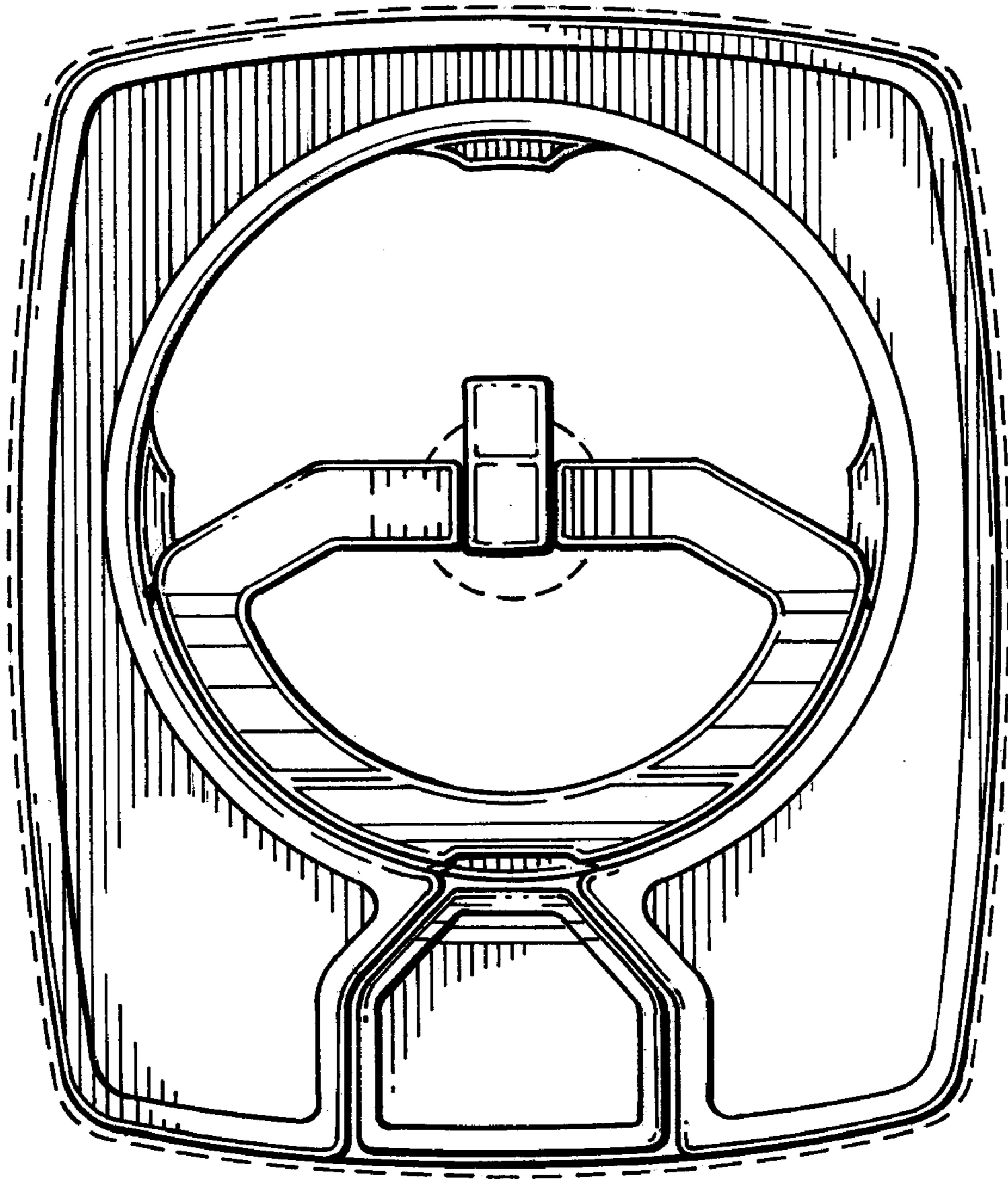


FIG. 2

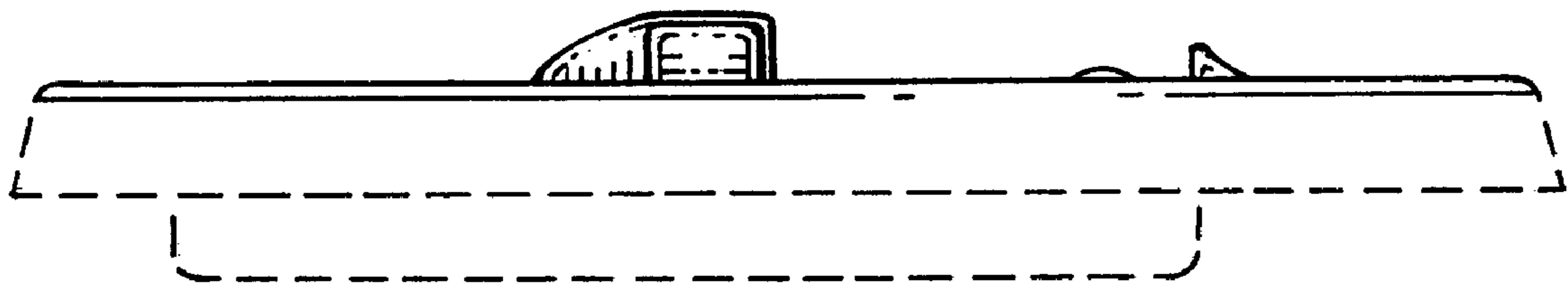


FIG. 3

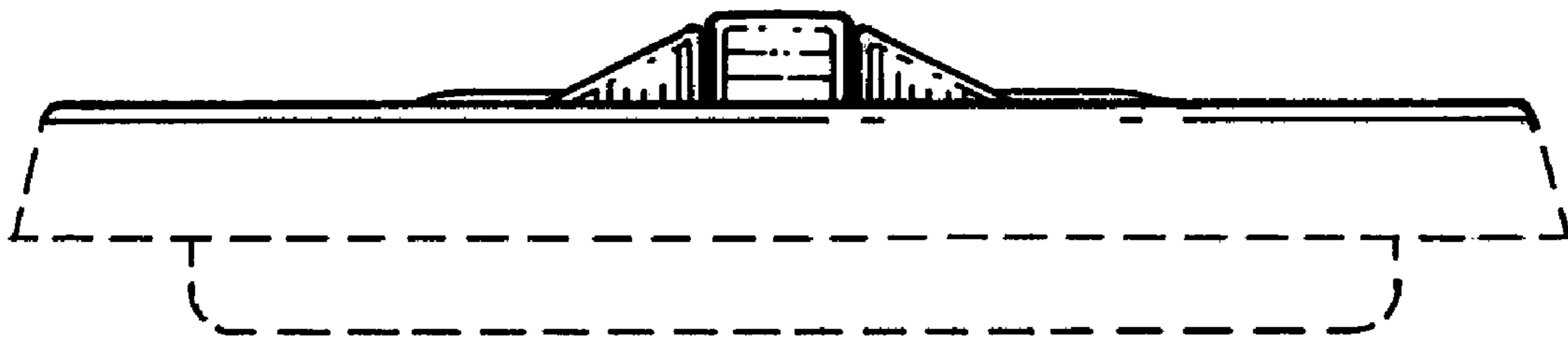


FIG. 4

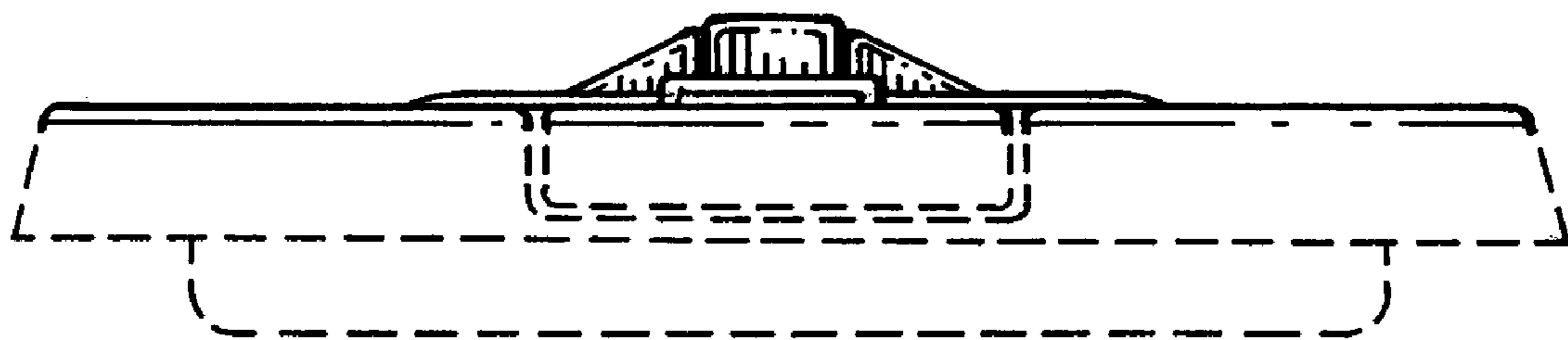


FIG. 5

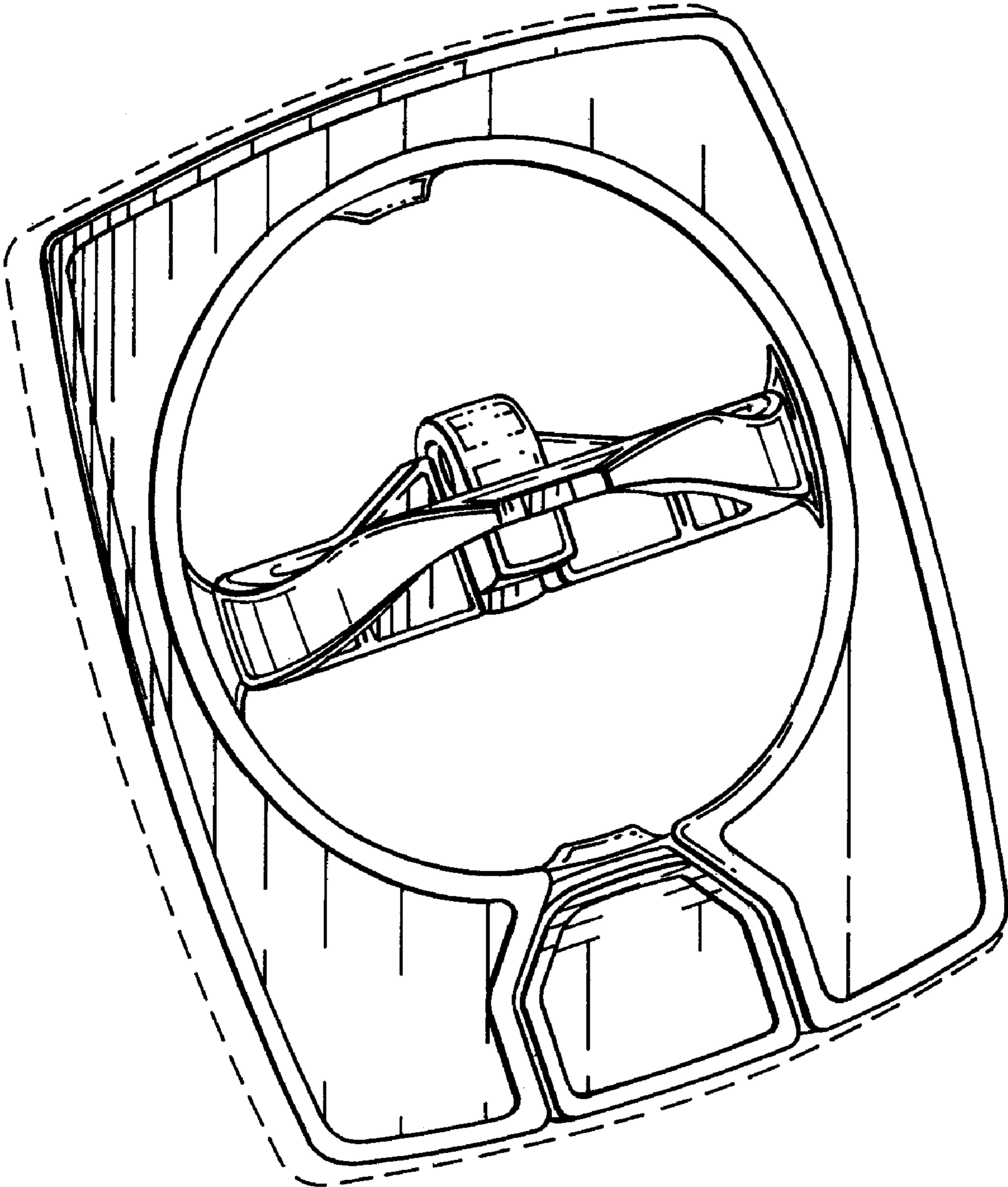


FIG. 6

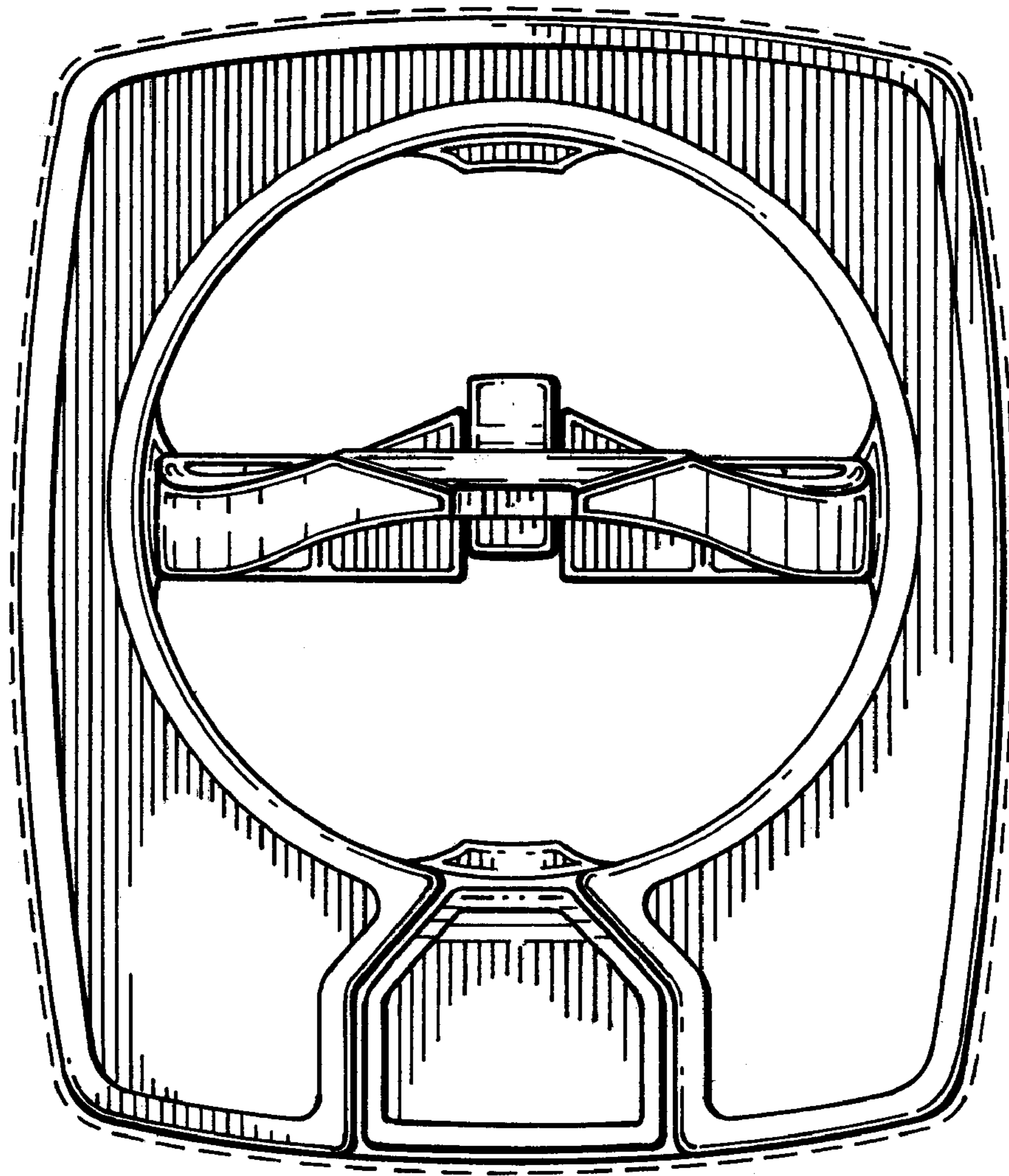


FIG. 7

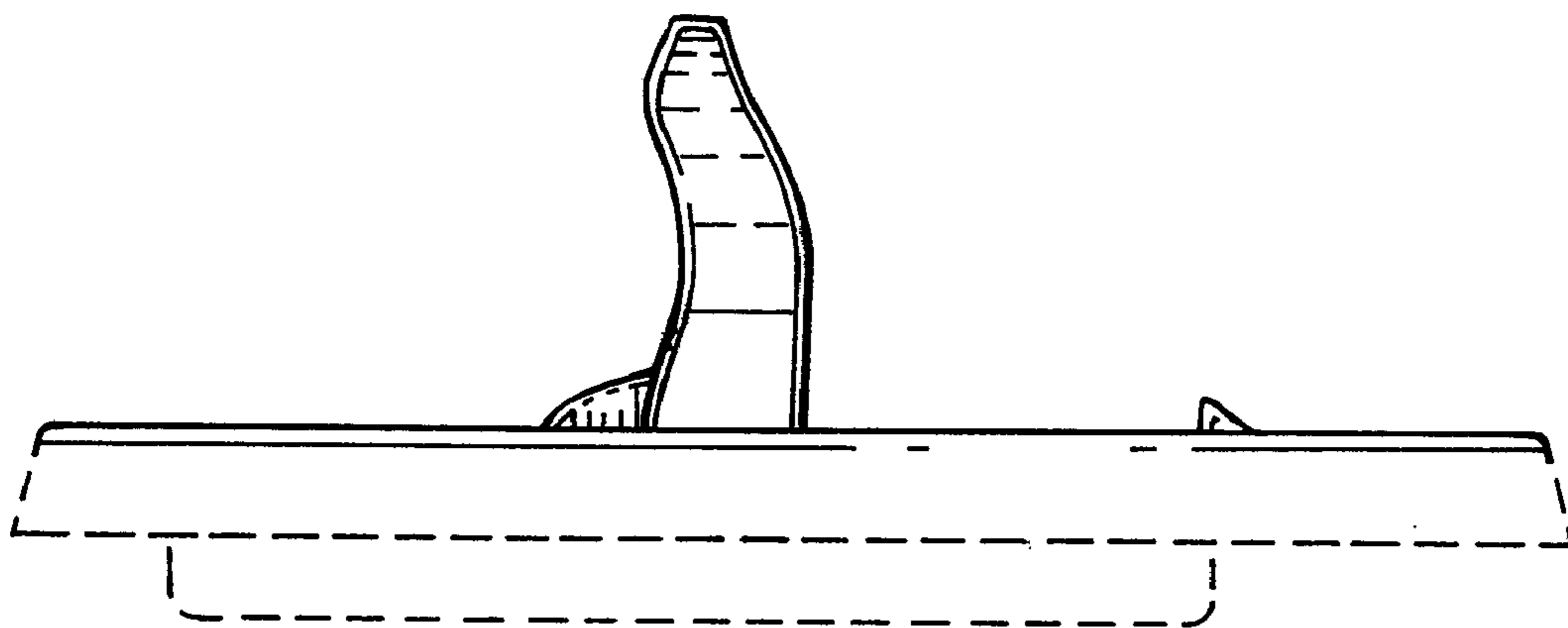


FIG. 8

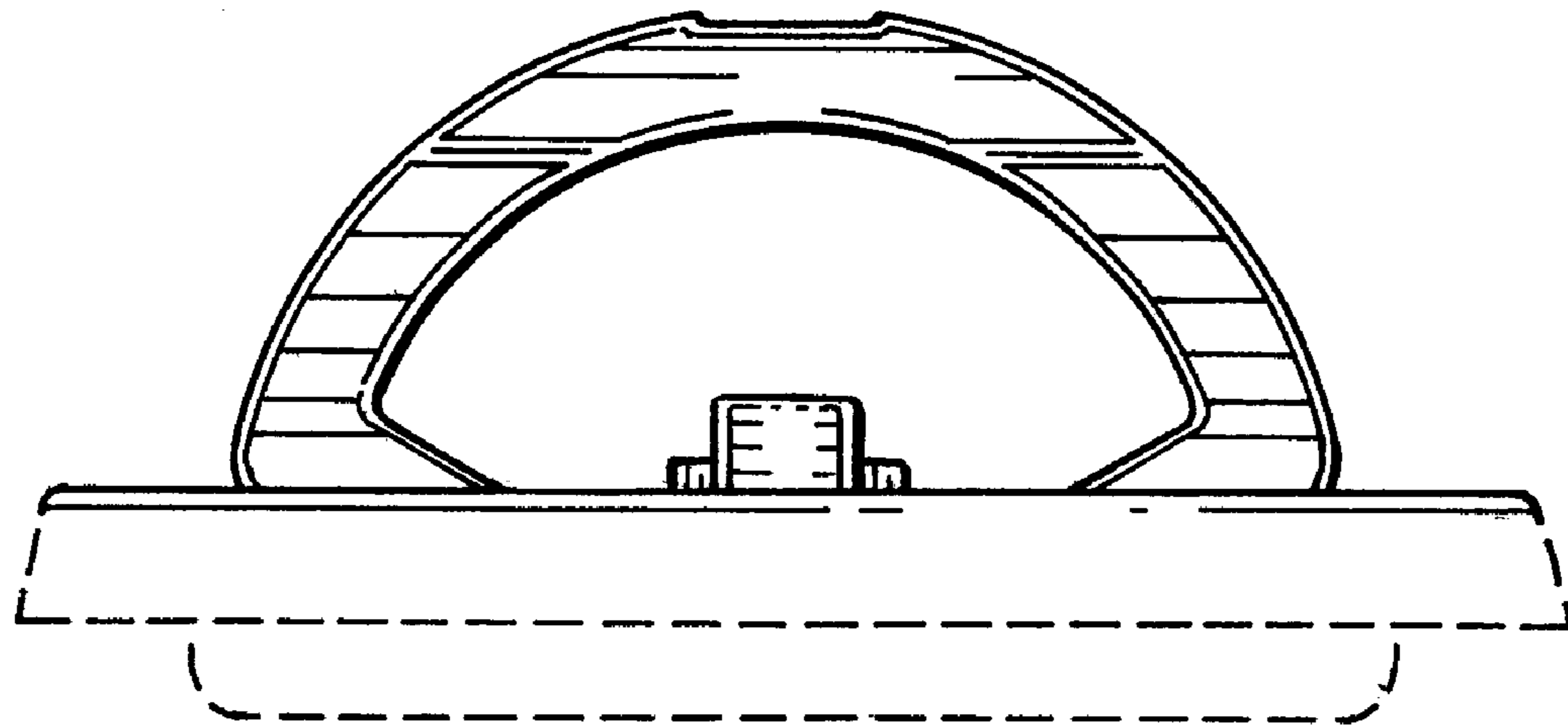


FIG. 9

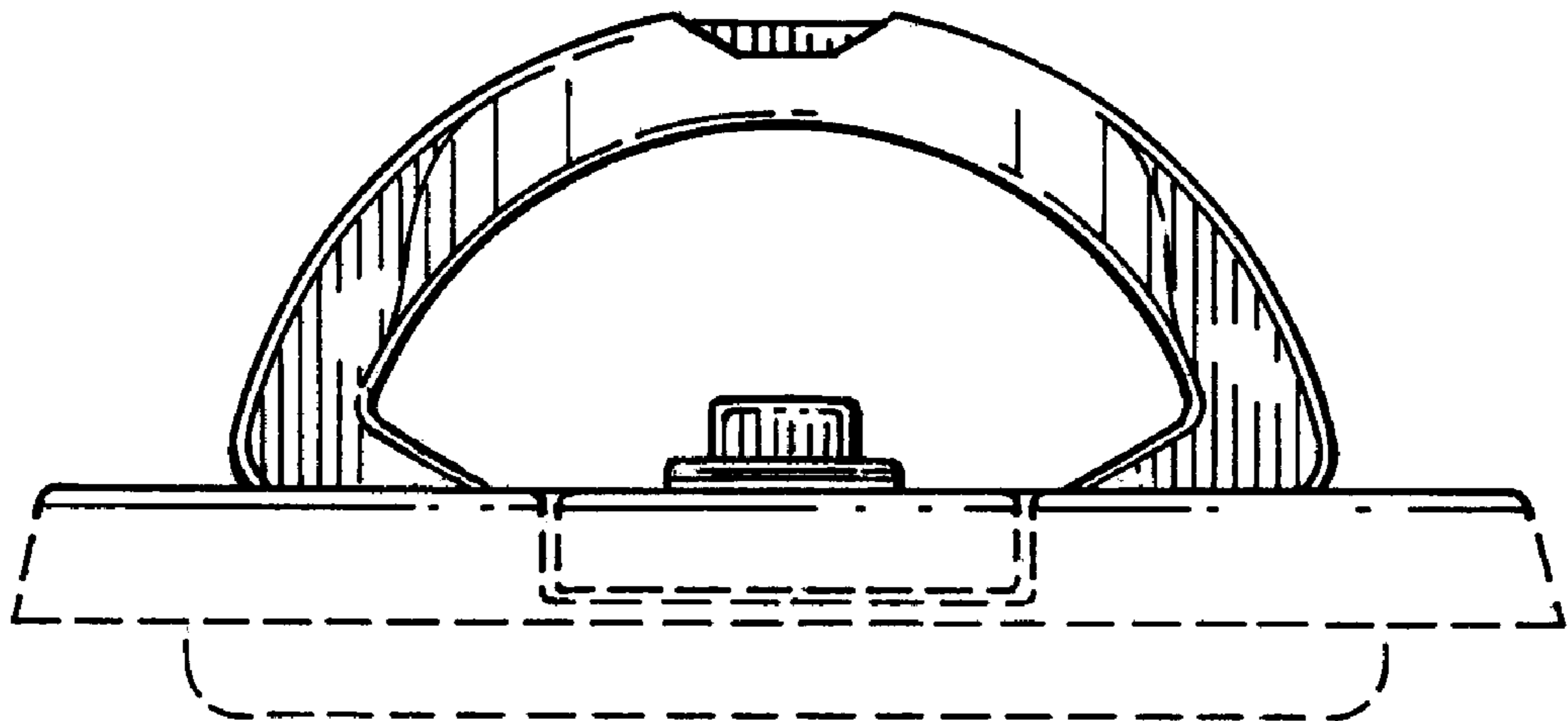


FIG. 10