



US00D532668S

(12) **United States Design Patent**  
**Wen**

(10) **Patent No.:** **US D532,668 S**

(45) **Date of Patent:** **\*\* Nov. 28, 2006**

(54) **FASTENER DRIVING TOOL**

(75) **Inventor:** **Ming Han Wen**, Bali Township, Taipei County (TW)

(73) **Assignee:** **De Poan Pneumatic Corporation**, Taipei County (TW)

(\*\*) **Term:** **14 Years**

(21) **Appl. No.:** **29/231,509**

(22) **Filed:** **Jun. 7, 2005**

(51) **LOC (8) Cl.** ..... **08-01**

(52) **U.S. Cl.** ..... **D8/69**

(58) **Field of Classification Search** ..... D8/49,  
D8/50, 68, 69, 61; D19/72; 227/120, 127,  
227/128, 131, 132, 134, 156, 7

See application file for complete search history.

(56) **References Cited**

**U.S. PATENT DOCUMENTS**

D200,876 S	*	4/1965	Kuenzi	.....	D8/22
3,858,780 A	*	1/1975	Perkins et al.	.....	227/8
D353,664 S	*	12/1994	Eminger et al.	.....	D8/69
D383,657 S	*	9/1997	Kaiser	.....	D8/69
D383,658 S	*	9/1997	Kaiser	.....	D8/69
D406,999 S	*	3/1999	Sover et al.	.....	D8/69

D432,882 S	*	10/2000	Matsuoka et al.	.....	D8/68
D463,237 S	*	9/2002	Sims et al.	.....	D8/68
D474,091 S	*	5/2003	Arai	.....	D8/69
D484,383 S	*	12/2003	Yang	.....	D8/68
D484,764 S	*	1/2004	Ho	.....	D8/68
D484,765 S	*	1/2004	Yang	.....	D8/68
D493,084 S	*	7/2004	Yang	.....	D8/68
D500,652 S	*	1/2005	Huang	.....	D8/68
D521,837 S	*	5/2006	Zhang	.....	D8/69

\* cited by examiner

*Primary Examiner*—Cathron C. Brooks

*Assistant Examiner*—Austin Murphy

(74) *Attorney, Agent, or Firm*—Rosenberg, Klein & Lee

(57) **CLAIM**

The ornamental design for a fastener driving tool, as shown.

**DESCRIPTION**

FIG. 1 is a perspective view of a fastener driving tool, showing my new design;

FIG. 2 is a front elevational view thereof;

FIG. 3 is a rear elevational view thereof;

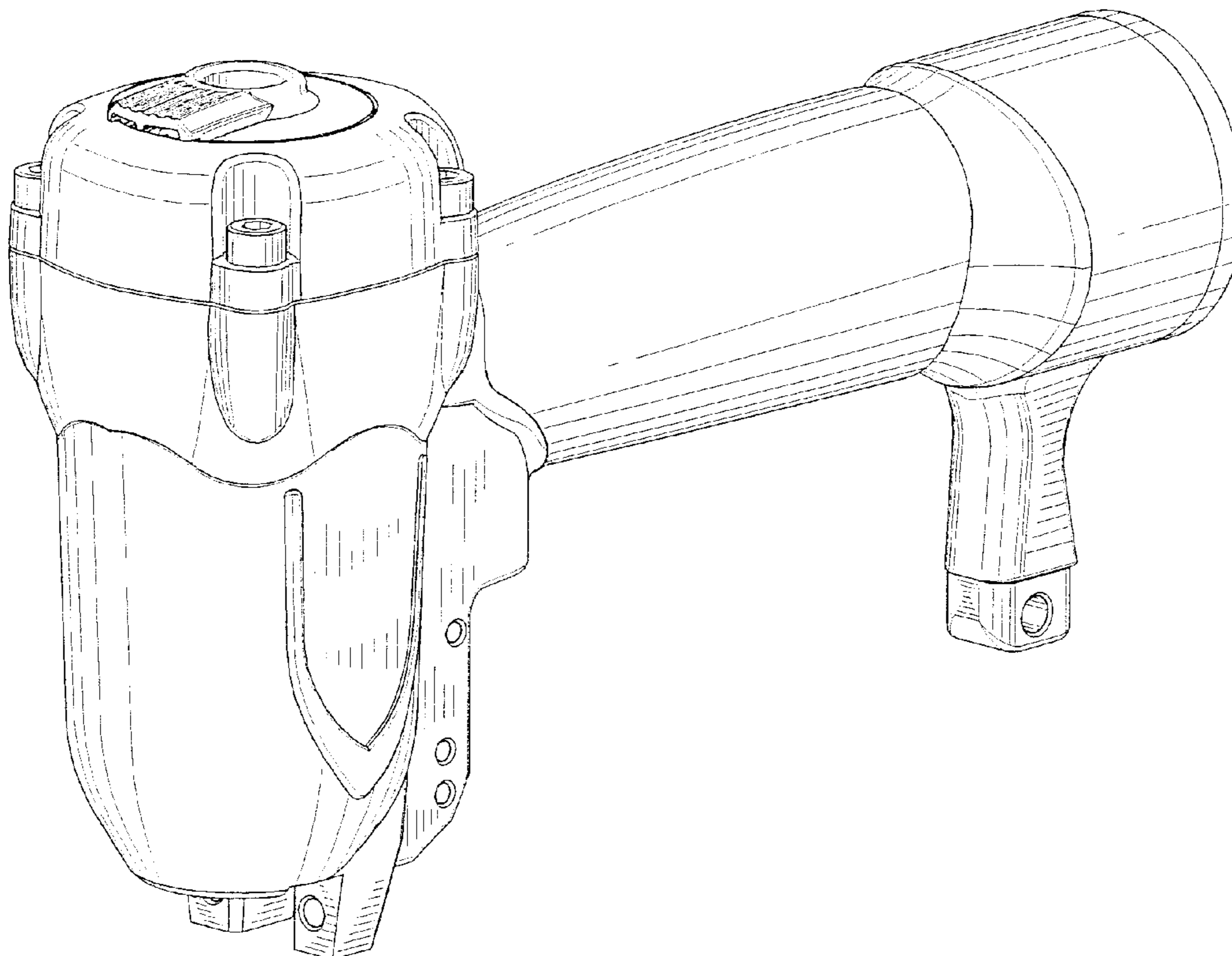
FIG. 4 is a left side view thereof;

FIG. 5 is a right side view thereof;

FIG. 6 is a top plan view thereof; and,

FIG. 7 is a bottom plan view thereof.

**1 Claim, 6 Drawing Sheets**



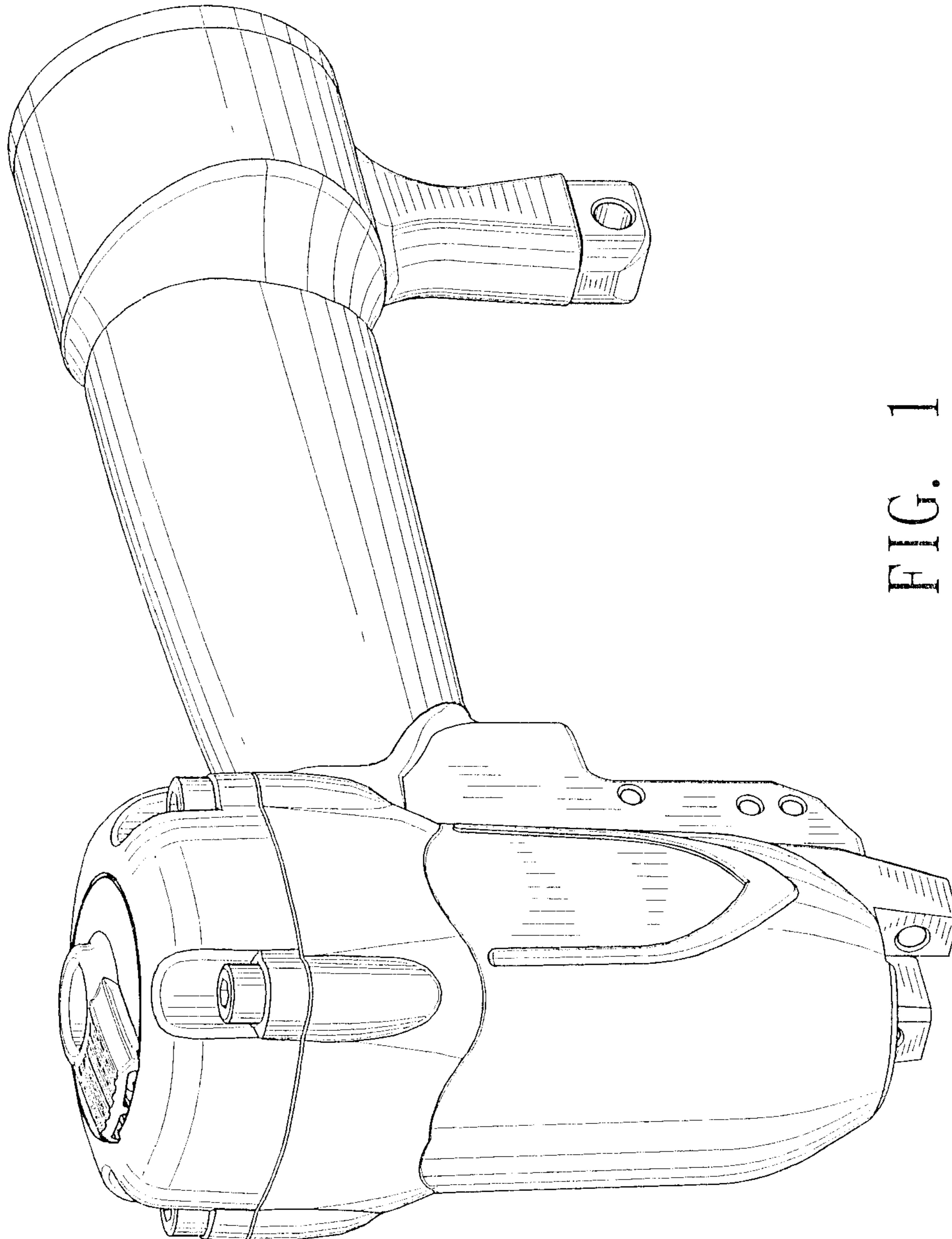


FIG. 1

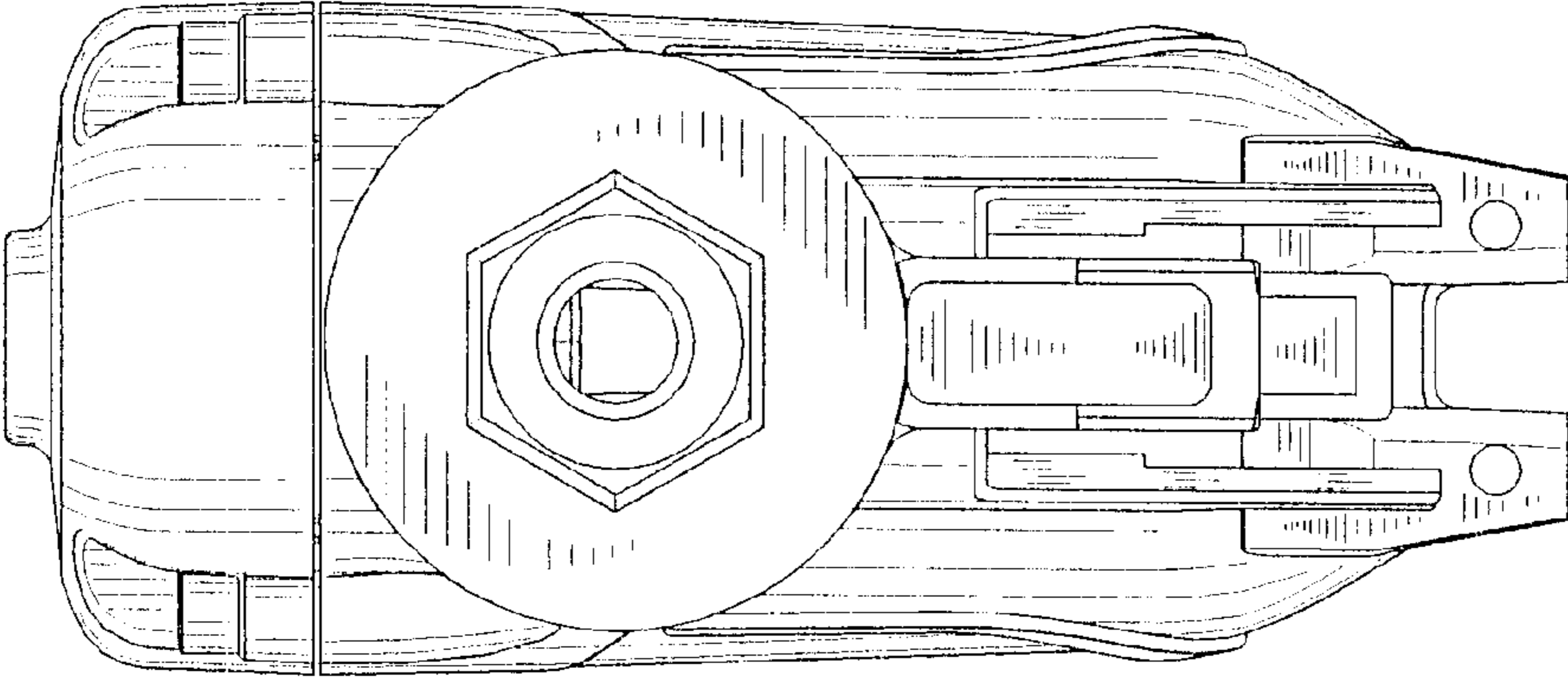


FIG. 2

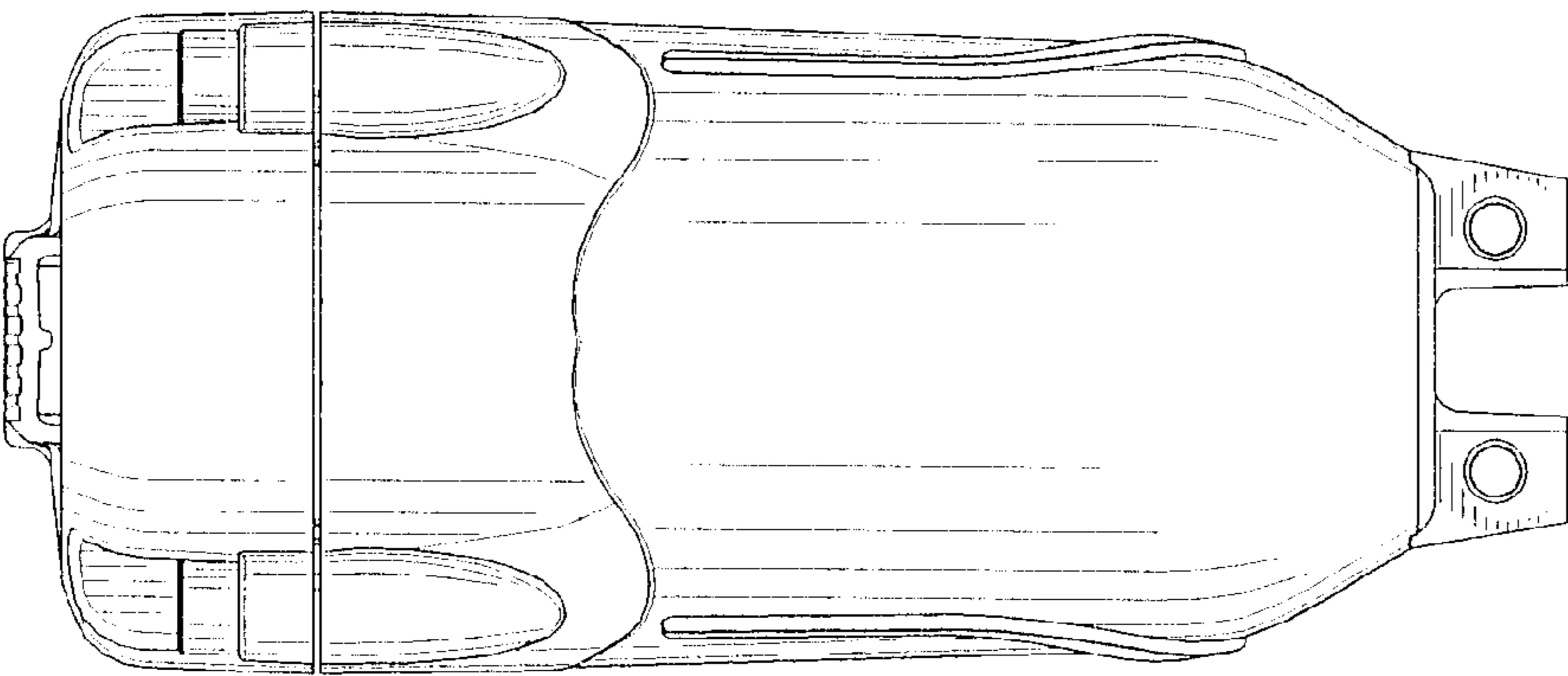


FIG. 3

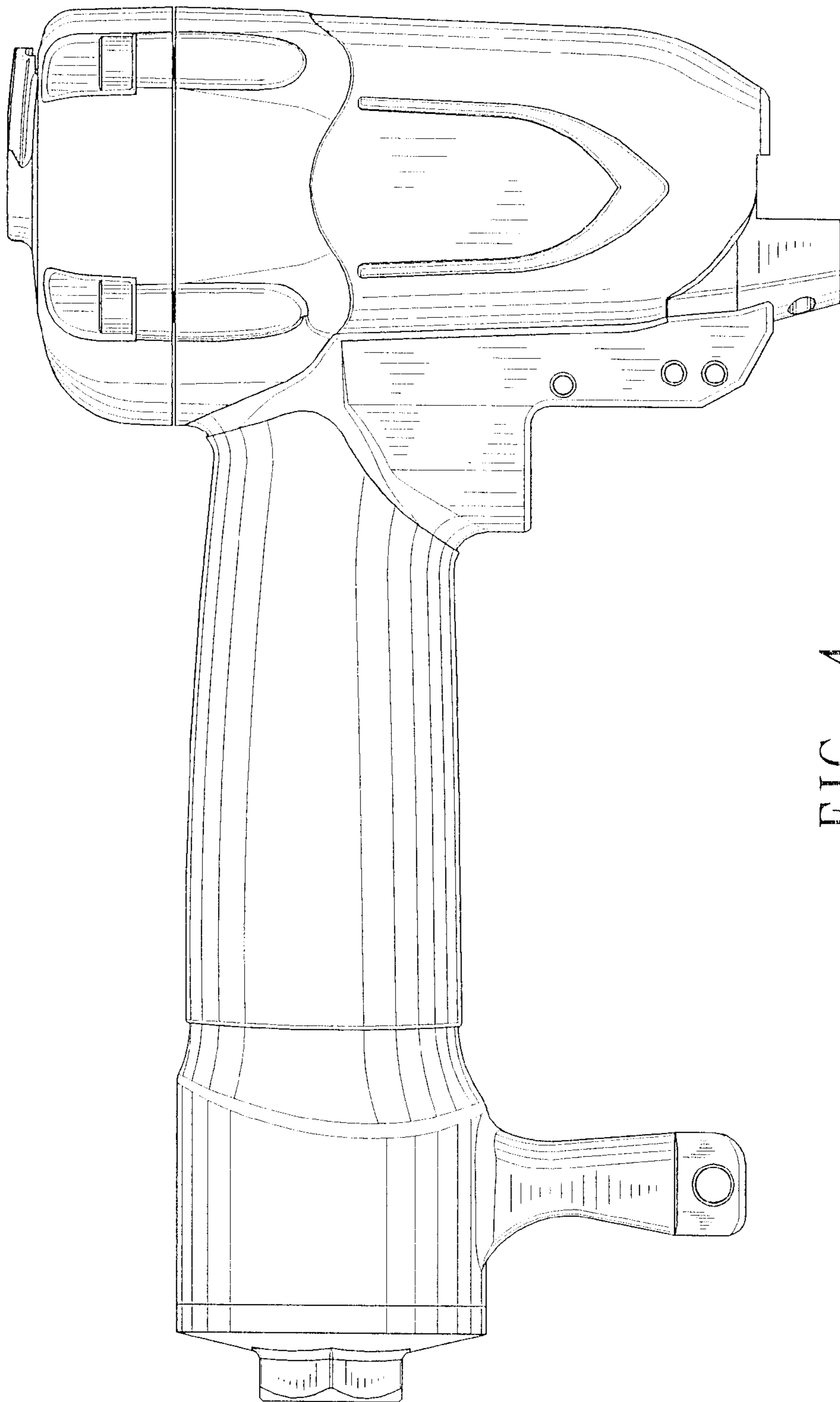


FIG. 4



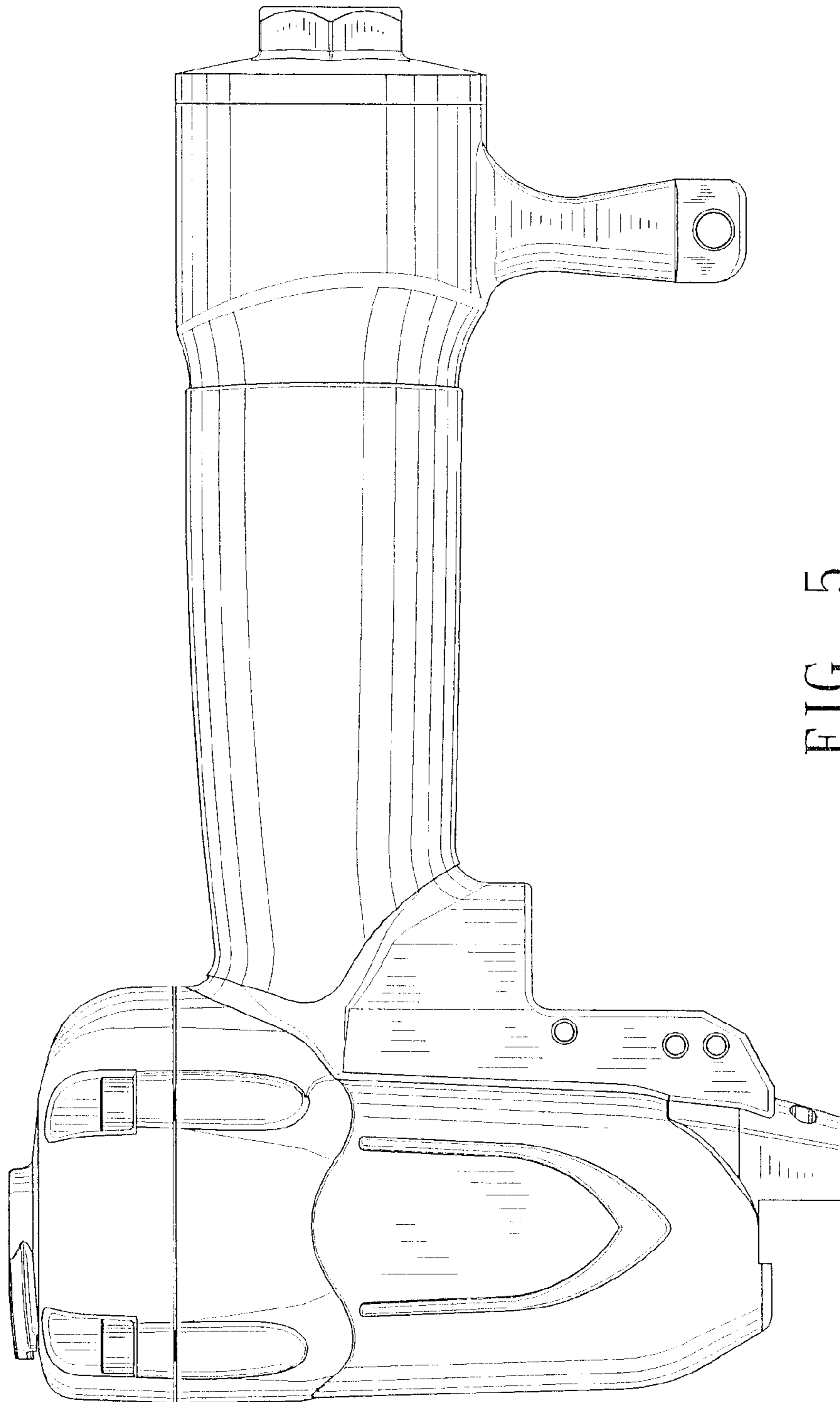


FIG. 5

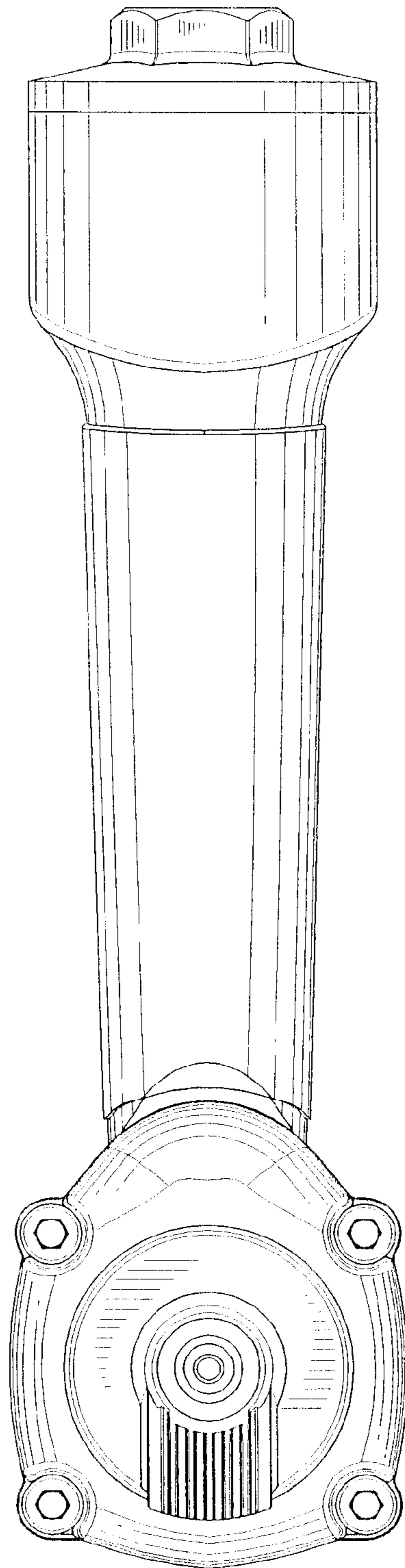


FIG. 6

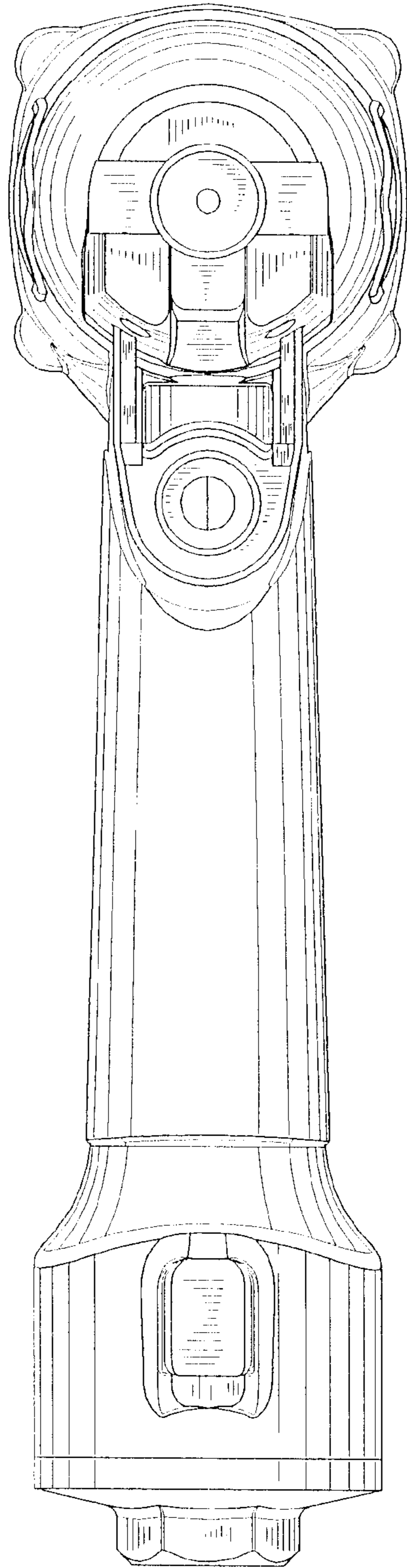


FIG. 7