



US00D532665S

(12) **United States Design Patent**
Waldron

(10) **Patent No.:** **US D532,665 S**

(45) **Date of Patent:** **** Nov. 28, 2006**

(54) **BISCUIT JOINTER POWER TOOL**

(75) **Inventor:** **Michael Waldron**, Chester le Street
(GB)

(73) **Assignee:** **GMCA PTY Ltd.** (AU)

(**) **Term:** **14 Years**

(21) **Appl. No.:** **29/222,582**

(22) **Filed:** **Feb. 1, 2005**

(30) **Foreign Application Priority Data**

Nov. 27, 2004 (EM) 000262282

(51) **LOC (8) Cl.** **08-03**

(52) **U.S. Cl.** **D8/64**

(58) **Field of Classification Search** D8/67,
D8/62, 61; D32/15, 17, 19; D4/102; 451/456,
451/451, 359, 358, 357, 356, 355, 354, 353,
451/351, 344

See application file for complete search history.

(56) **References Cited**

U.S. PATENT DOCUMENTS

- 4,913,204 A * 4/1990 Moores et al. 144/136.95
- D325,862 S * 5/1992 Sato et al. D8/69
- 5,257,654 A * 11/1993 Bean et al. 144/136.95
- D400,771 S * 11/1998 Smith et al. D8/64
- 5,865,230 A * 2/1999 Smith et al. 144/136.95

- 5,881,784 A * 3/1999 Morikawa et al. 144/136.95
- 5,988,240 A * 11/1999 Markus 144/136.95
- 6,006,802 A * 12/1999 Smith et al. 144/136.95
- 6,021,826 A * 2/2000 Daniell 144/73
- 6,125,896 A * 10/2000 Smith et al. 144/136.95
- 6,336,483 B1 * 1/2002 Smith et al. 144/136.95
- 6,422,275 B1 * 7/2002 Smith et al. 144/136.95
- 6,612,349 B1 * 9/2003 Smith et al. 144/136.95

* cited by examiner

Primary Examiner—Cathron C. Brooks

Assistant Examiner—Austin Murphy

(74) *Attorney, Agent, or Firm*—McKee, Voorhees & Sease,
P.L.C.

(57) **CLAIM**

I claim the ornamental design for a biscuit jointer power tool, as shown and described.

DESCRIPTION

FIG. 1 is a perspective view of the biscuit jointer power tool. FIG. 2 is an opposite perspective view of the biscuit jointer power tool.

FIG. 3 is a side view of the biscuit jointer power tool.

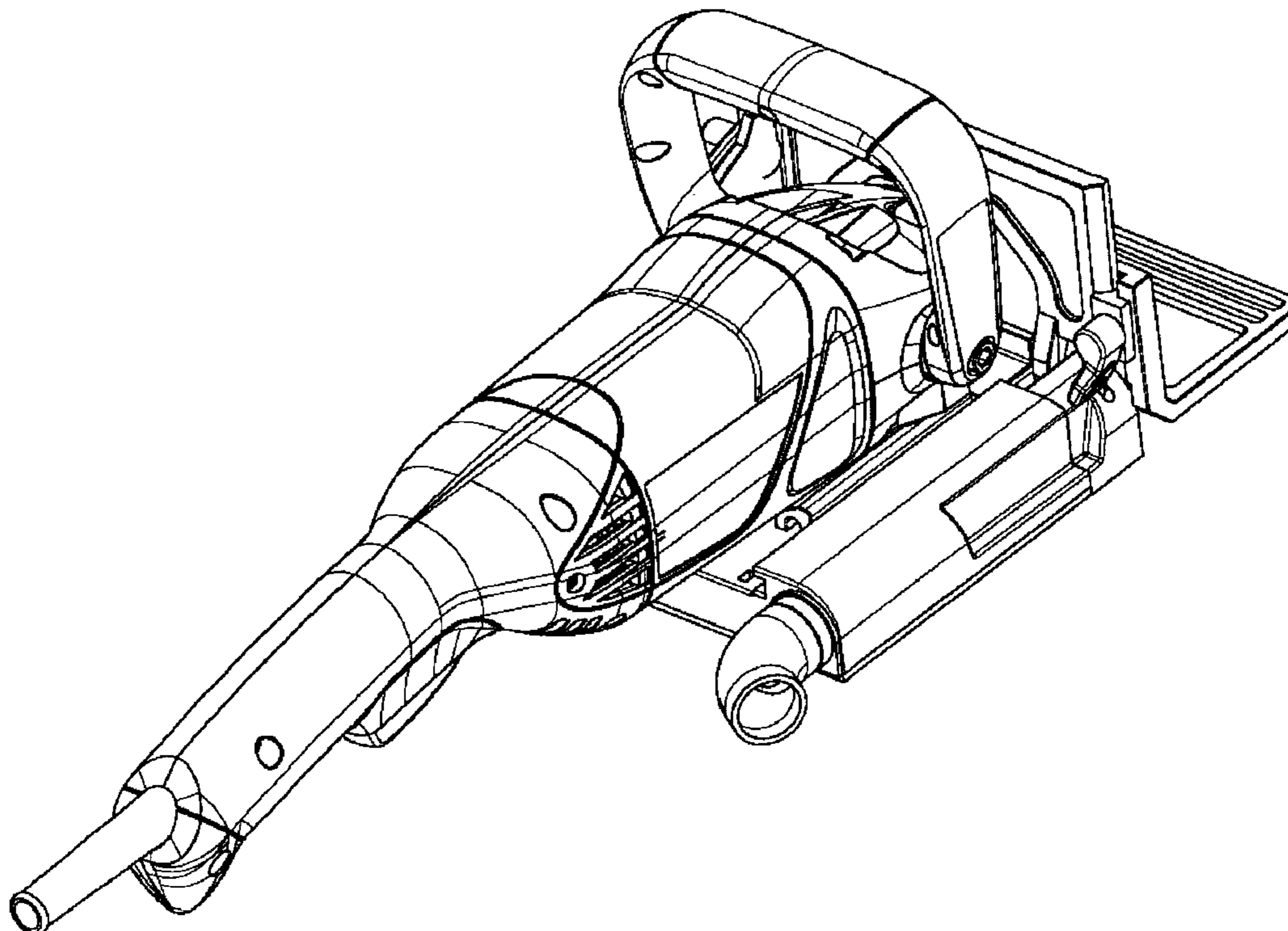
FIG. 4 is a top view of the biscuit jointer power tool.

FIG. 5 is a bottom view of the biscuit jointer power tool.

FIG. 6 is a front view of the biscuit jointer power tool; and,

FIG. 7 is a rear view of the biscuit jointer power tool.

1 Claim, 6 Drawing Sheets



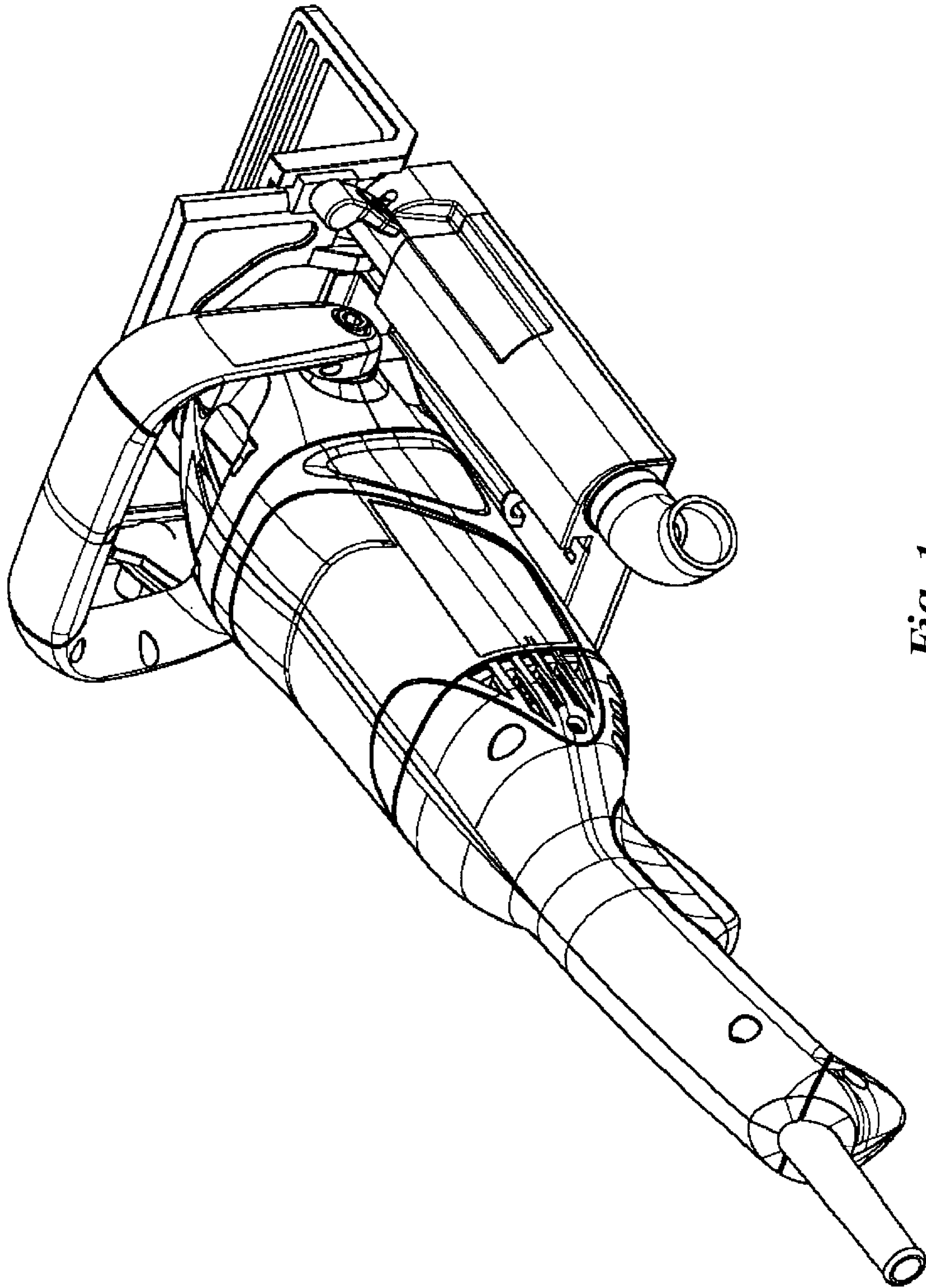


Fig. 1

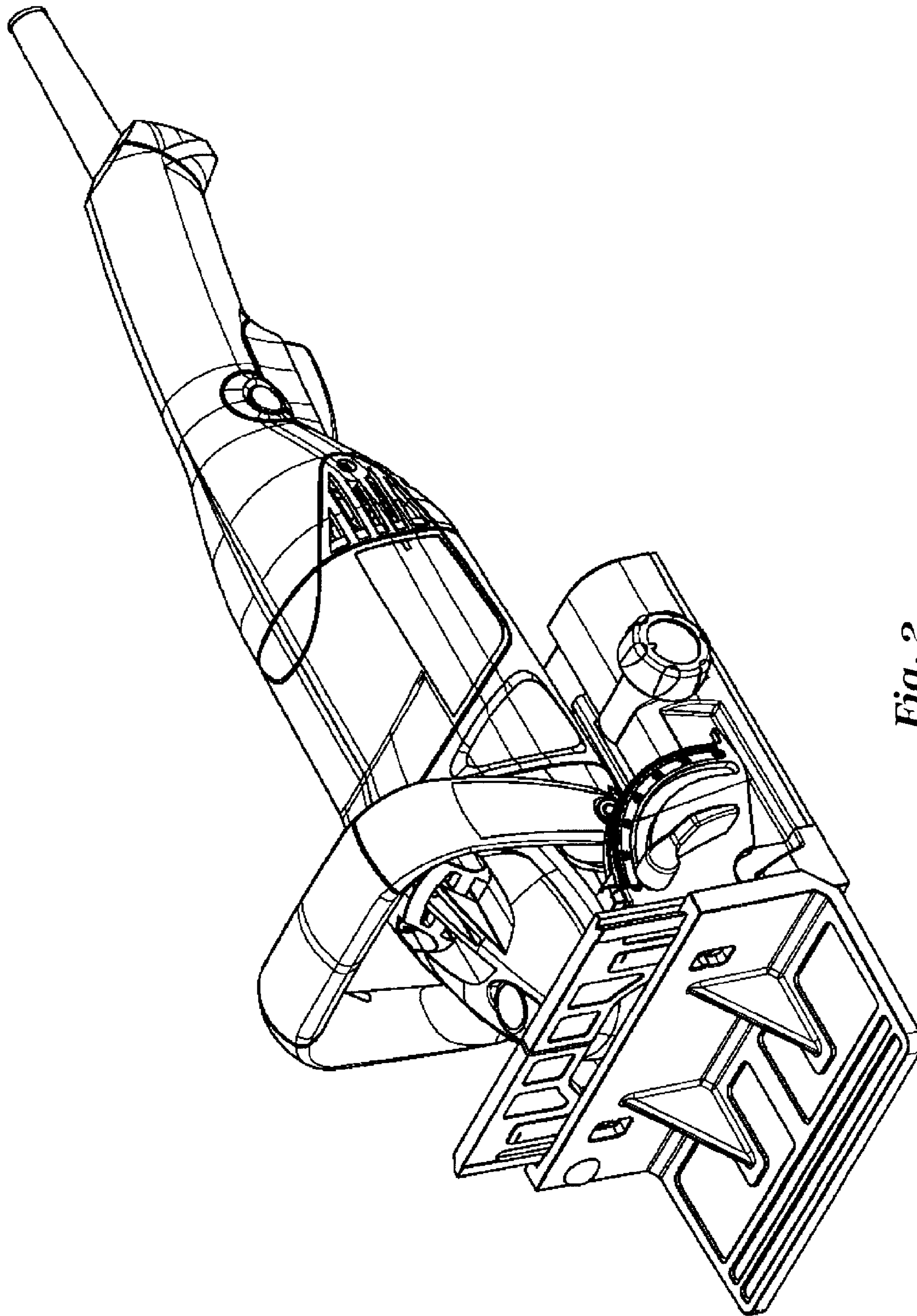


Fig. 2

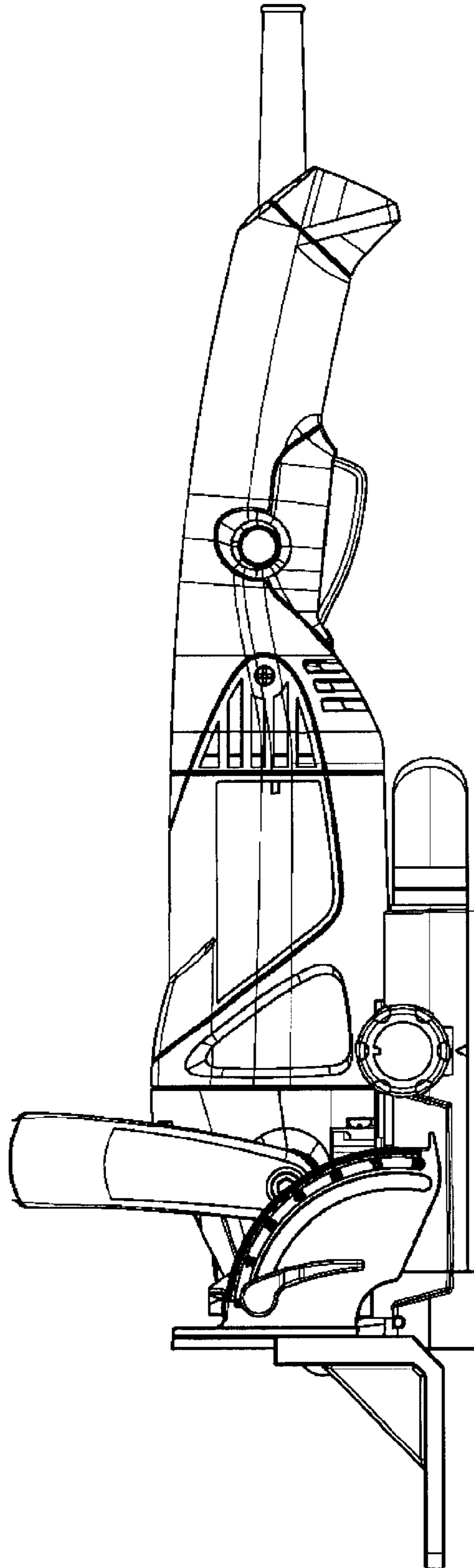


Fig. 3

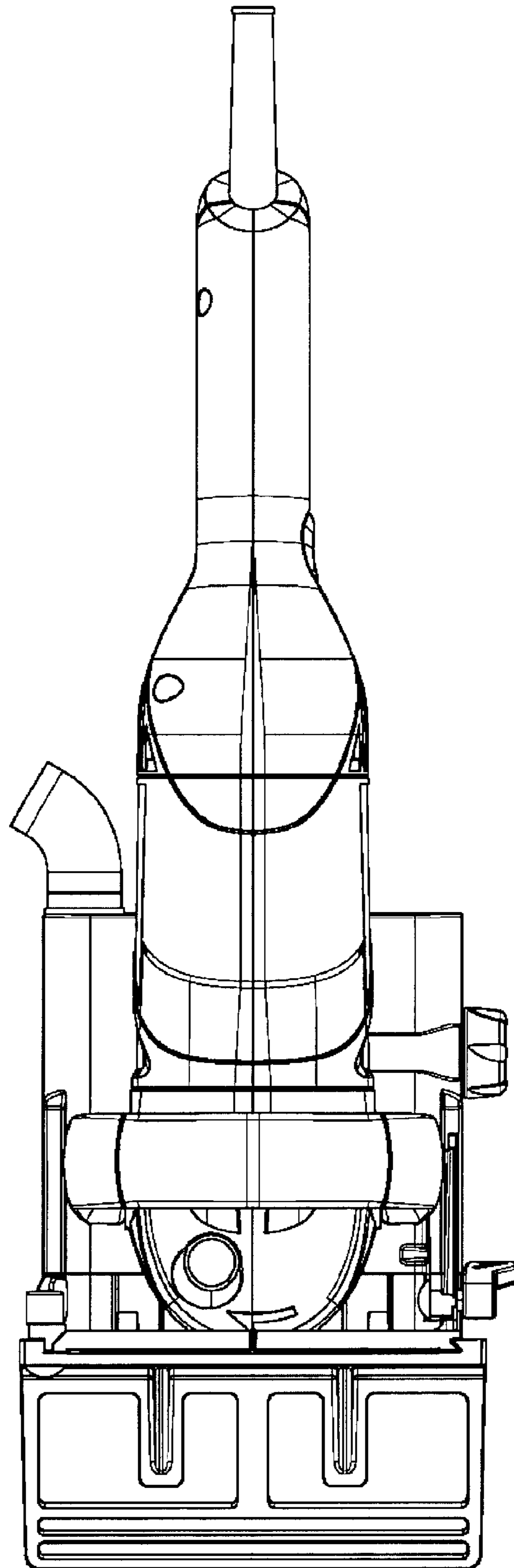


Fig. 4

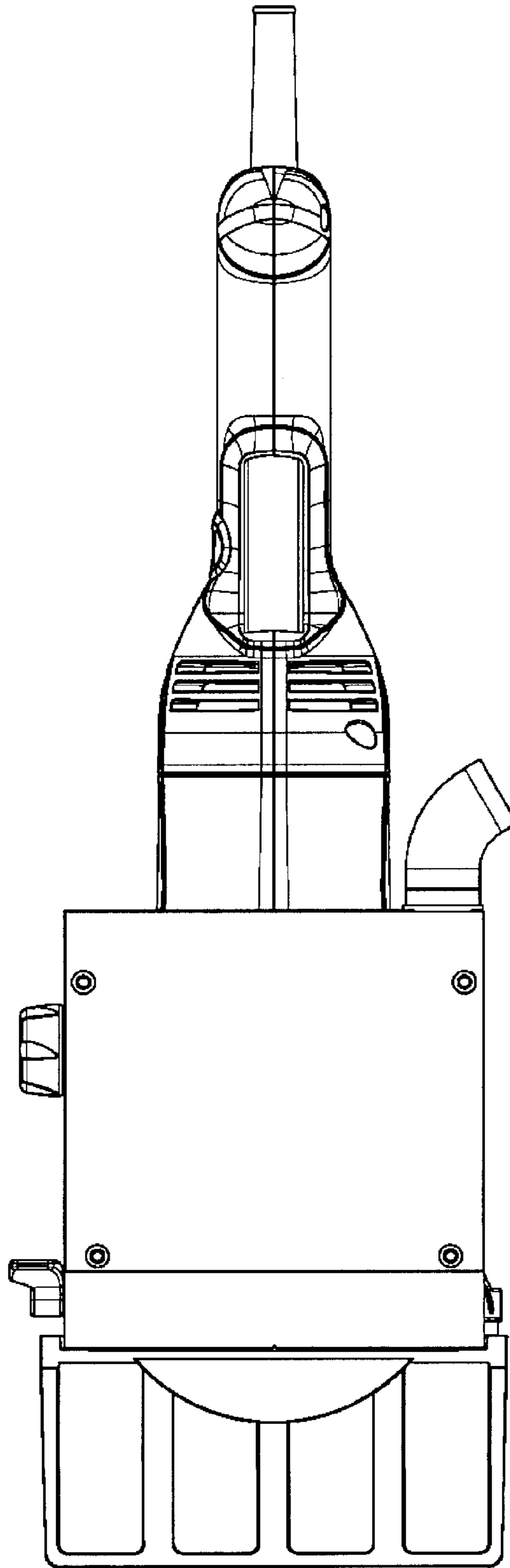


Fig. 5

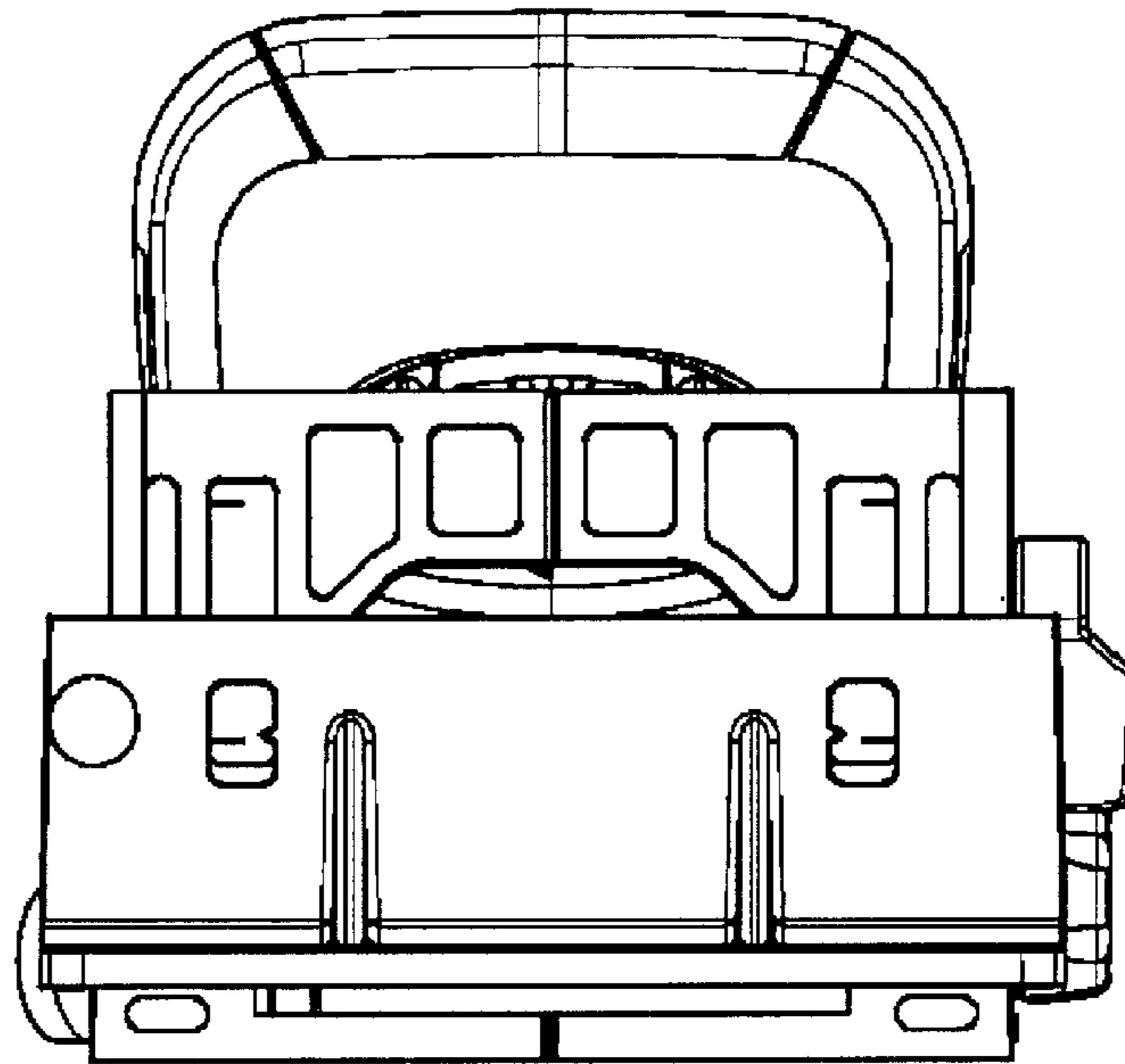


Fig. 6

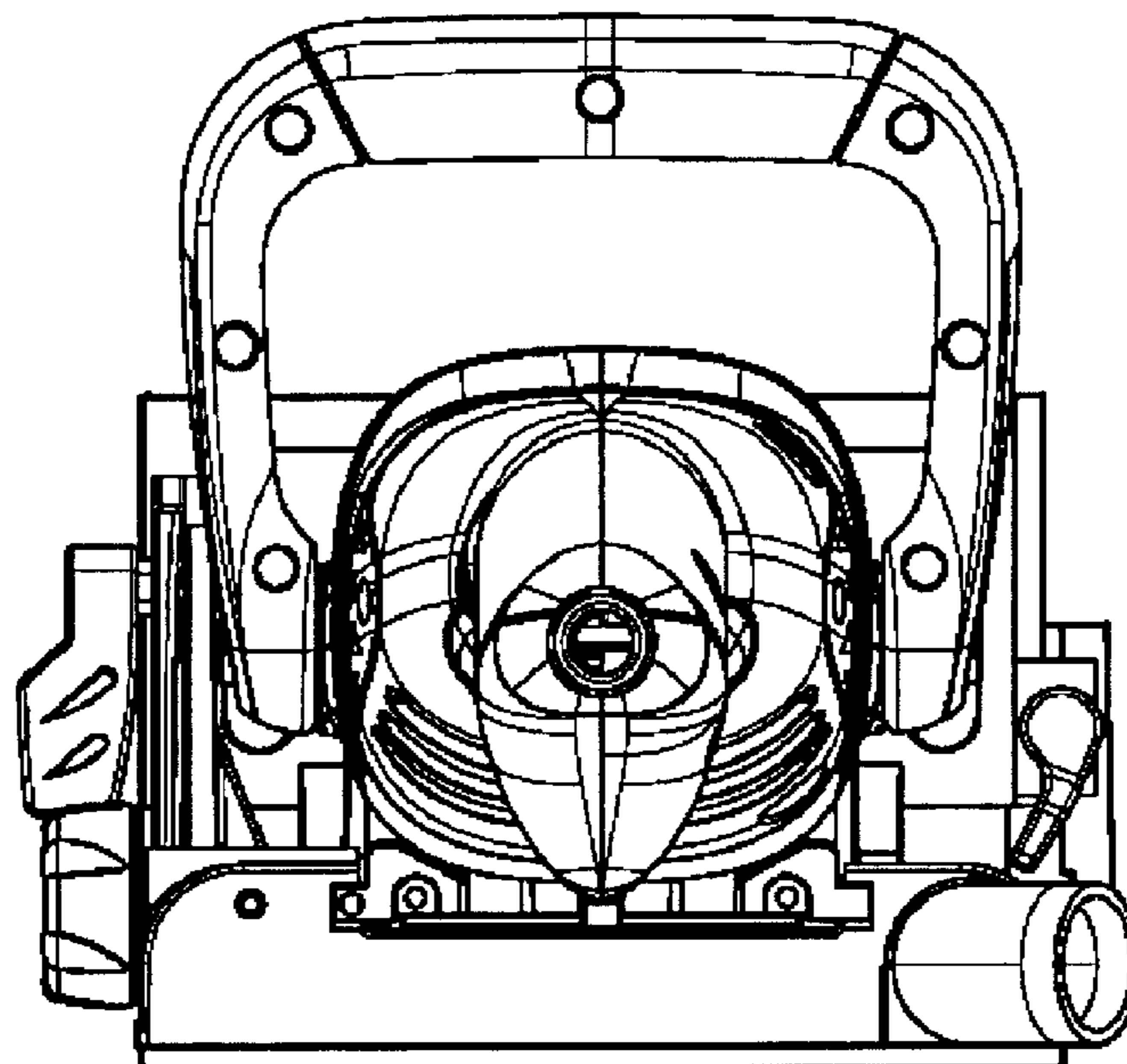


Fig. 7