



US00D532663S

(12) **United States Design Patent**  
**Waldron**

(10) **Patent No.:** **US D532,663 S**

(45) **Date of Patent:** **\*\* Nov. 28, 2006**

(54) **RANDOM ORBITAL SANDER POWER TOOL**

(75) Inventor: **Michael Waldron**, Chester le Street  
(GB)

(73) Assignee: **GMCA Pty Limited** (AU)

(\*\*) Term: **14 Years**

(21) Appl. No.: **29/222,552**

(22) Filed: **Feb. 1, 2005**

(30) **Foreign Application Priority Data**

Nov. 27, 2004 (EM) ..... 000262282

(51) **LOC (8) Cl.** ..... **08-01**

(52) **U.S. Cl.** ..... **D8/62**

(58) **Field of Classification Search** ..... D8/67,  
D8/62, 61; D32/15, 17, 19; D4/102; 451/456,  
451/451, 359, 358, 357, 356, 355, 354, 353,  
451/351, 344

See application file for complete search history.

(56) **References Cited**

**U.S. PATENT DOCUMENTS**

D352,437 S \* 11/1994 Chunn et al. .... D8/62  
6,514,131 B1 \* 2/2003 Reich et al. .... 451/344  
6,857,948 B1 \* 2/2005 Bocka et al. .... 451/356  
D503,600 S \* 4/2005 Bian ..... D8/62  
D507,731 S \* 7/2005 Robson ..... D8/62

D509,722 S \* 9/2005 Wikle et al. .... D8/62  
2002/0037691 A1 \* 3/2002 Mayr et al. .... 451/356  
2004/0002296 A1 \* 1/2004 Reich et al. .... 451/357  
2005/0085172 A1 \* 4/2005 Gansel et al. .... 451/356

\* cited by examiner

*Primary Examiner*—Cathron C. Brooks

*Assistant Examiner*—Austin Murphy

(74) *Attorney, Agent, or Firm*—McKee, Voorhees & Sease,  
P.L.C.

(57) **CLAIM**

I claim the ornamental design for a random orbital sander power tool, substantially as shown.

**DESCRIPTION**

FIG. 1 is a perspective view of the random orbital sander power tool.

FIG. 2 is an opposite perspective view of the random orbital sander power tool.

FIG. 3 is a side view of the random orbital sander power tool.

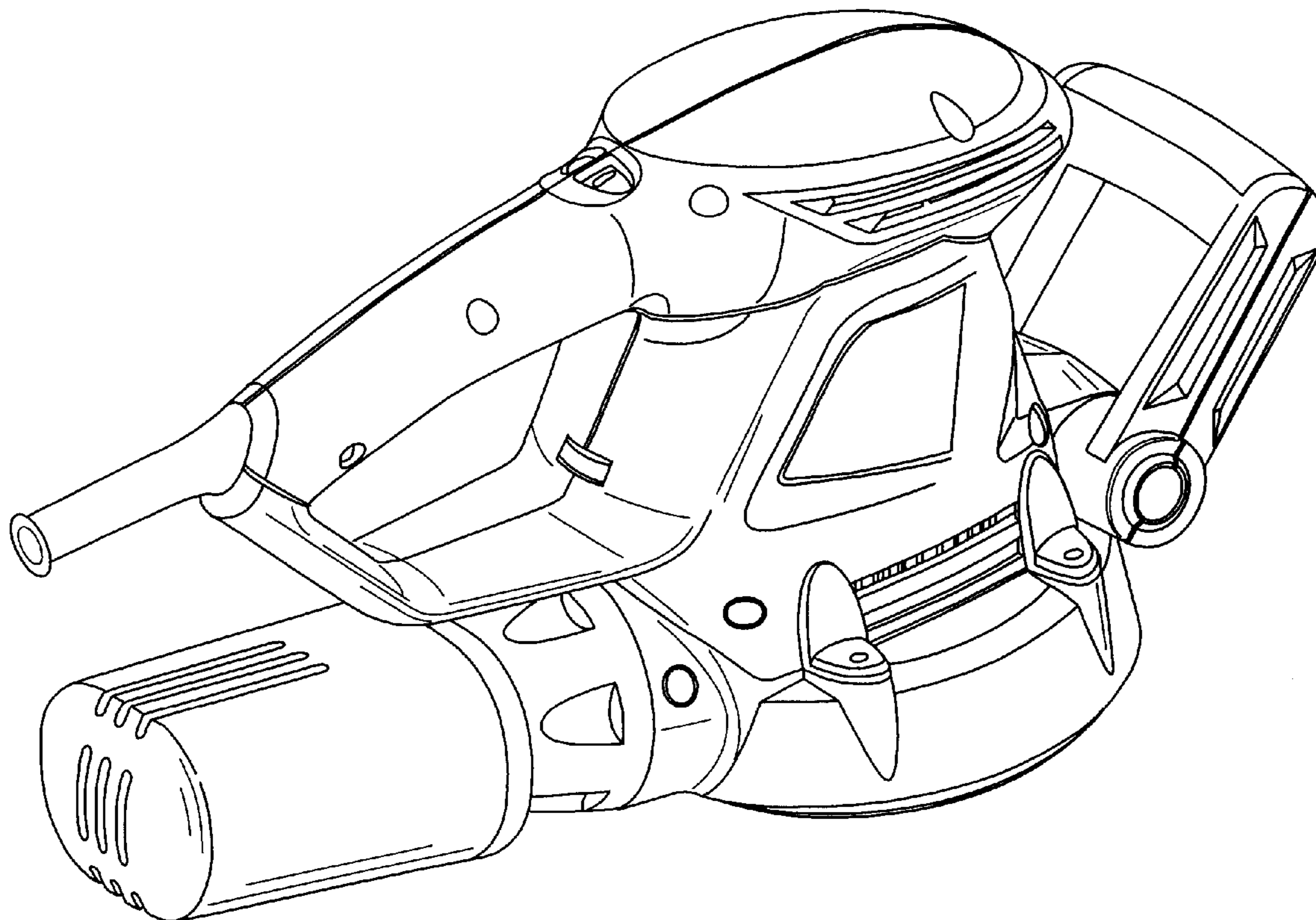
FIG. 4 is a top view of the random orbital sander power tool.

FIG. 5 is a bottom view of the random orbital sander power tool.

FIG. 6 is a front view of the random orbital sander power tool; and,

FIG. 7 is a rear view of the random orbital sander power tool.

**1 Claim, 5 Drawing Sheets**



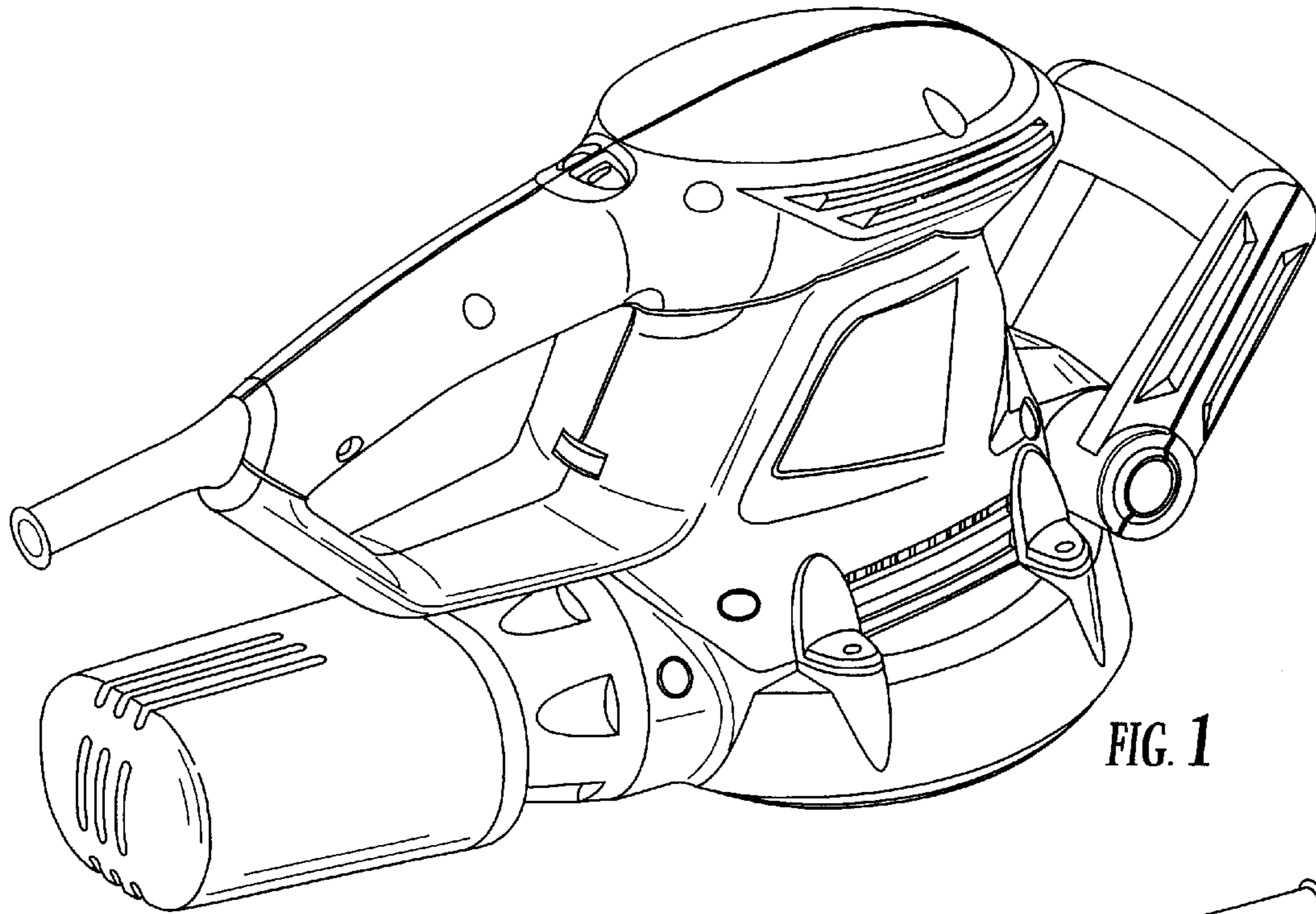


FIG. 1

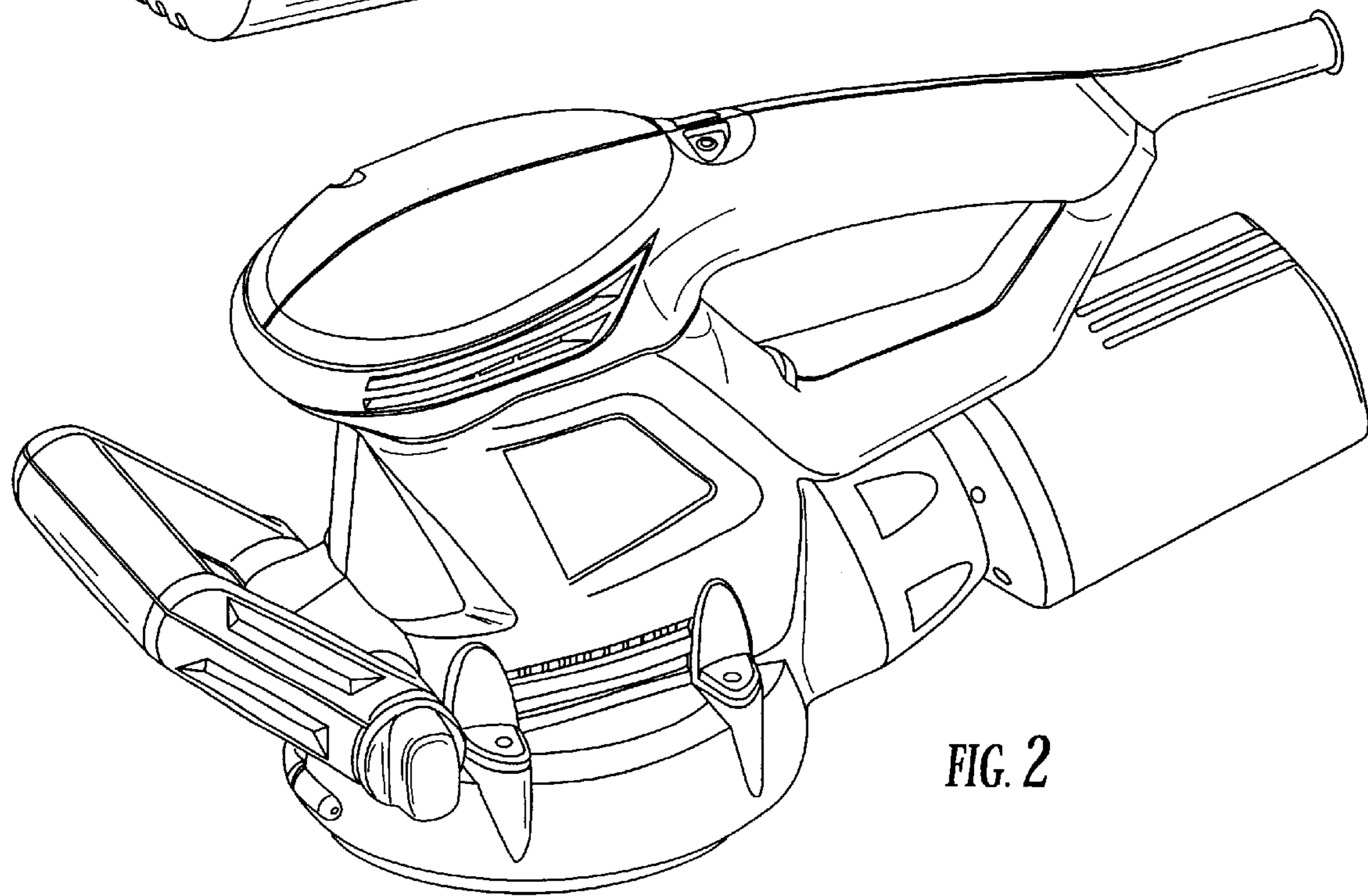


FIG. 2

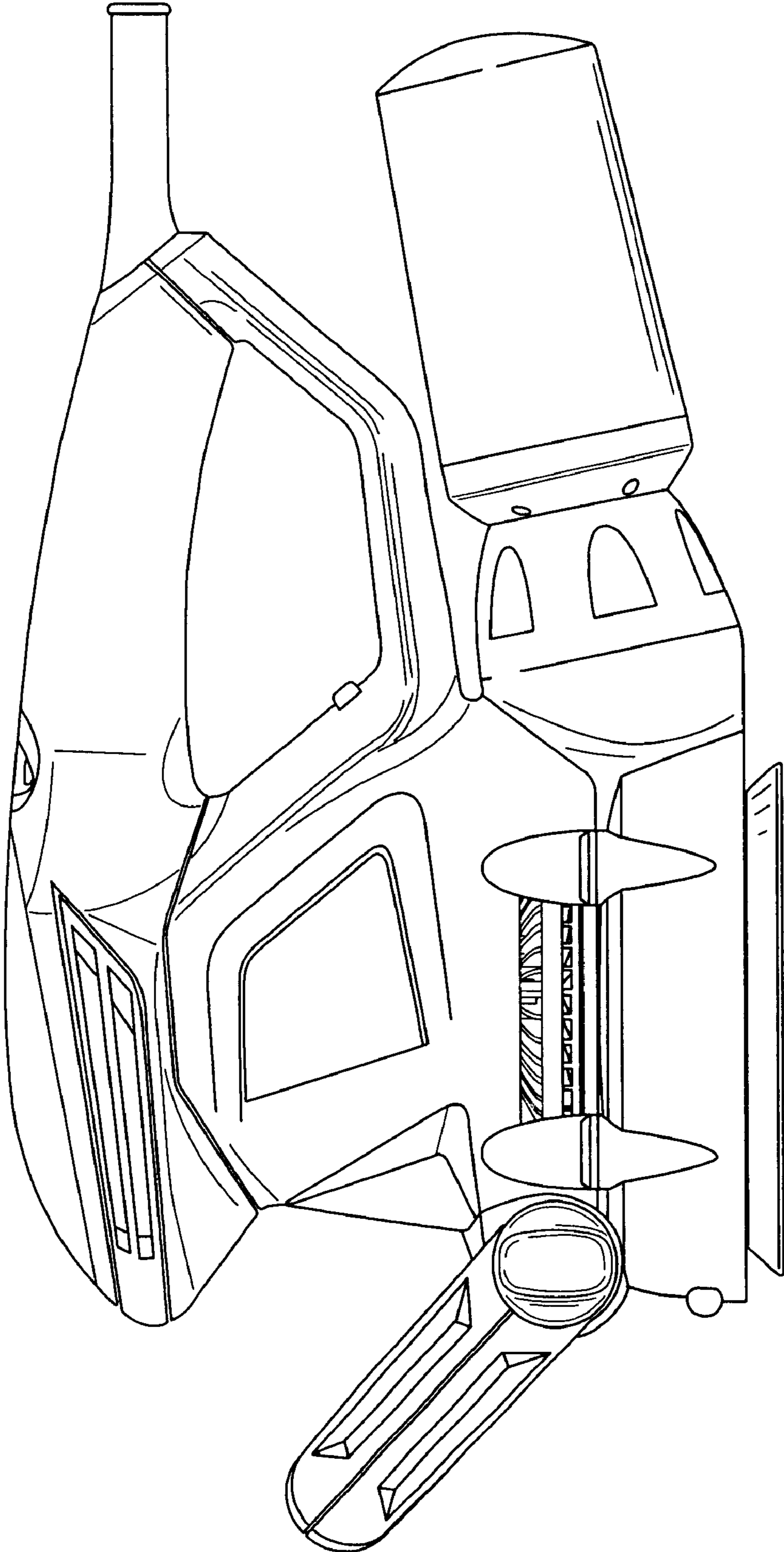


FIG. 3

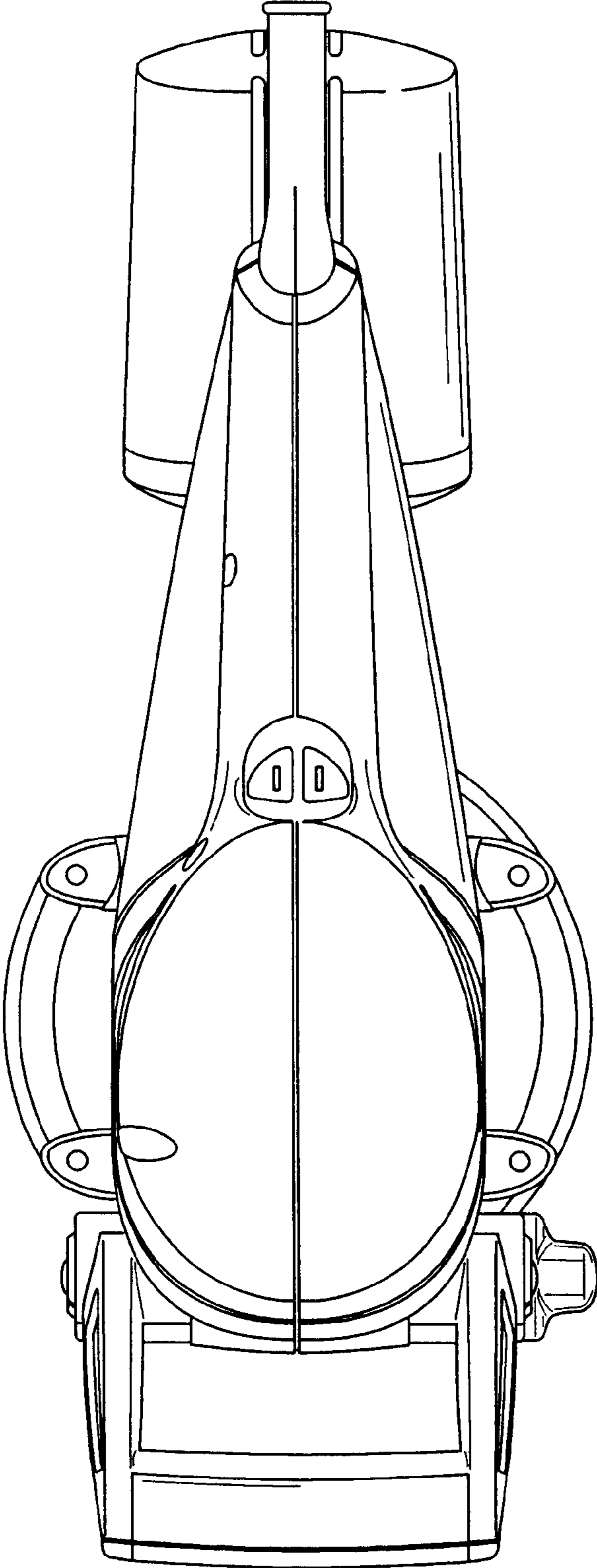


FIG. 4

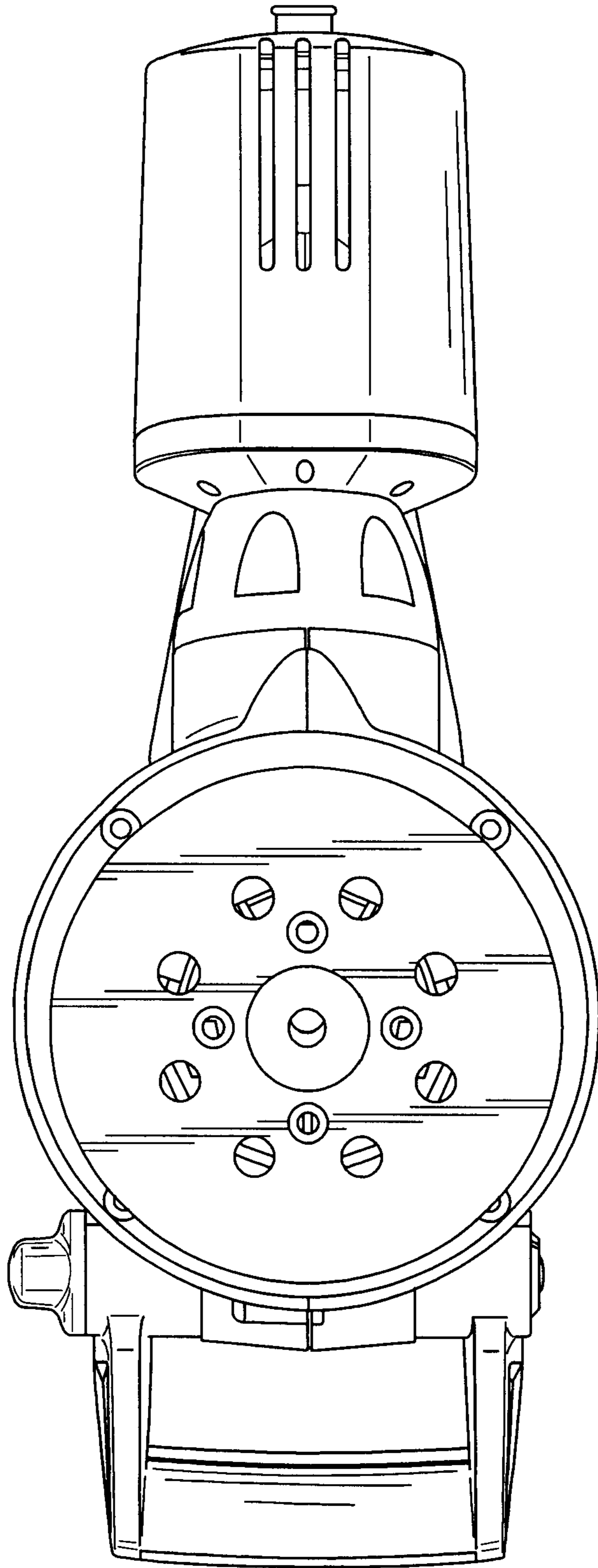


FIG. 5

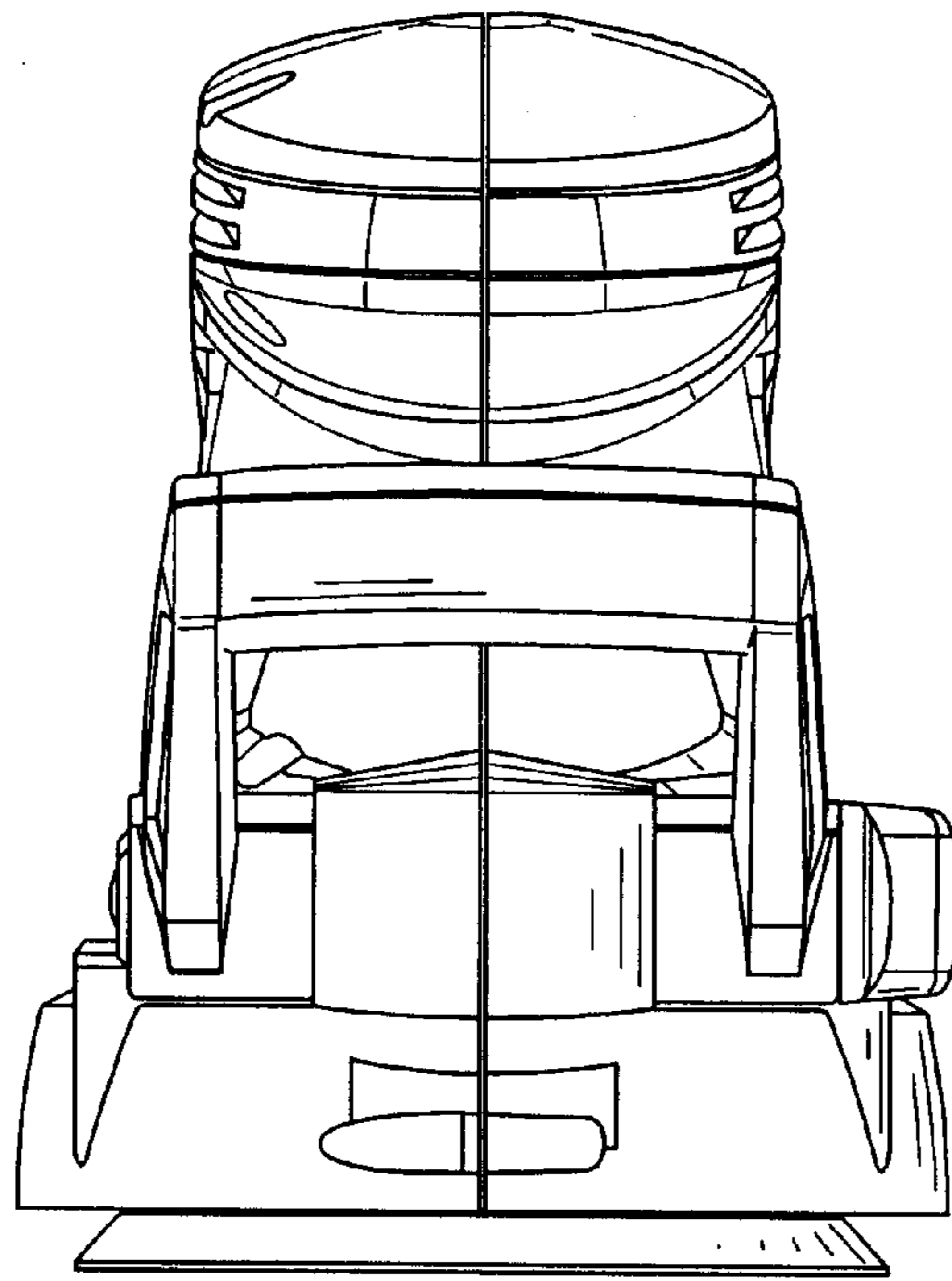


FIG. 6

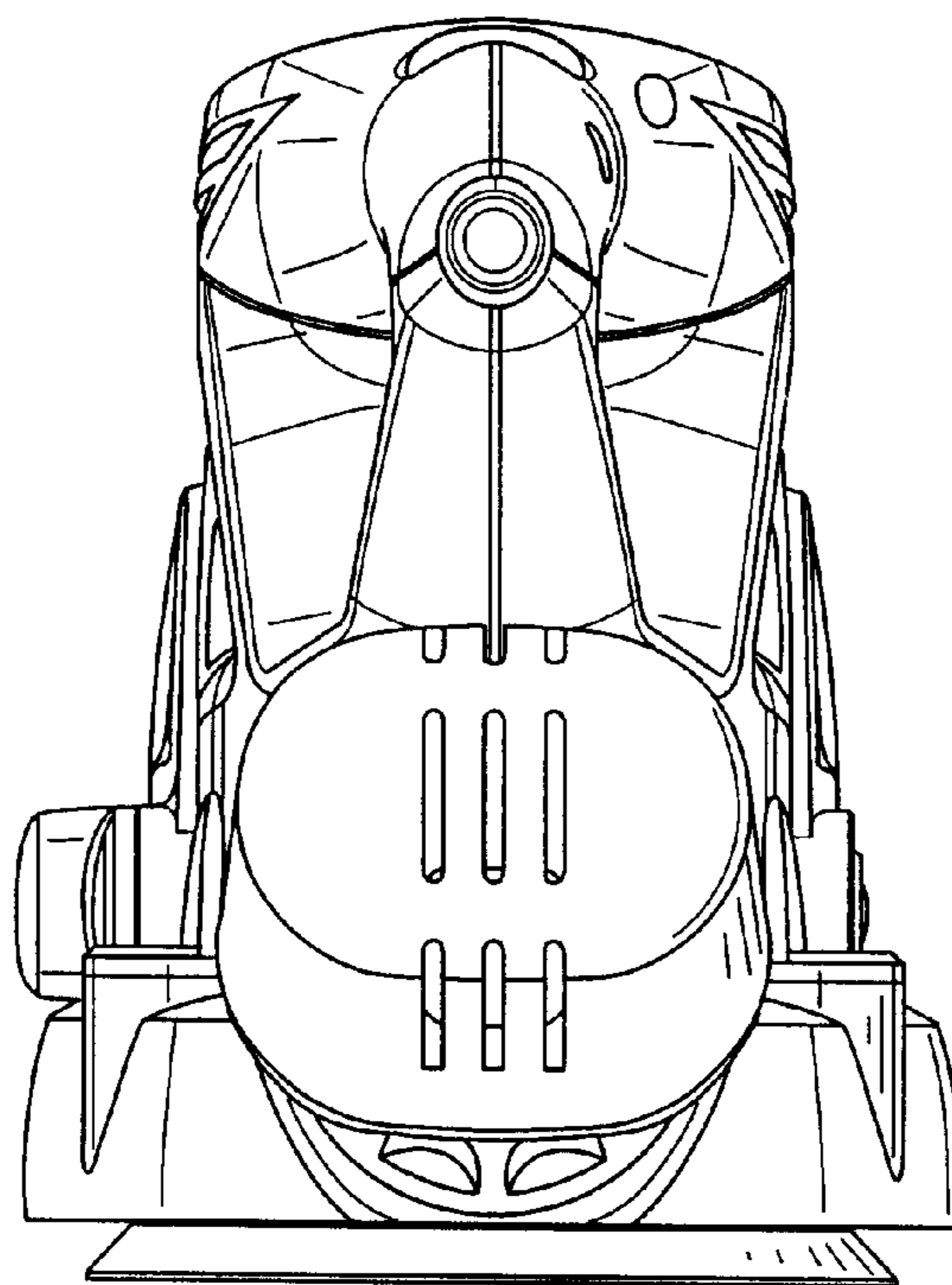


FIG. 7