

US00D532661S

(12) **United States Design Patent**
Wood

(10) **Patent No.:** **US D532,661 S**

(45) **Date of Patent:** **** Nov. 28, 2006**

(54) **HINGE PIN REMOVAL TOOL**

(76) Inventor: **Samuel T. Wood**, 2704 Cedar Dr.,
Riva, MD (US) 21140

(**) Term: **14 Years**

(21) Appl. No.: **29/219,102**

(22) Filed: **Dec. 14, 2004**

(51) **LOC (8) Cl.** **08-05**

(52) **U.S. Cl.** **D8/14; D8/89**

(58) **Field of Classification Search** D8/14,
D8/15, 17, 18, 88, 89; 29/275, 278, 253,
29/267, 270, 271; 81/488; 7/166
See application file for complete search history.

(56) **References Cited**

U.S. PATENT DOCUMENTS

441,979 A	12/1890	Rohrbach	
D55,792 S	7/1920	Hudgins	
1,355,174 A	10/1920	Shepard	
D206,516 S	12/1966	McKee	
3,602,969 A	9/1971	Provost	
4,183,133 A	1/1980	Abbott	
4,188,701 A	2/1980	Ludwig	
4,597,123 A	7/1986	Cobe, Jr.	
5,054,180 A	* 10/1991	Combs	29/275
5,099,562 A	* 3/1992	Loughban	29/275
5,303,619 A	4/1994	Cole, Sr.	
D350,270 S	9/1994	Jensen	
5,435,030 A	7/1995	Phillips	
5,438,743 A	* 8/1995	Simington et al.	29/275

5,875,535 A	3/1999	Canoy	
5,896,607 A	4/1999	Hagen	
D410,178 S	* 5/1999	Clayson	D8/16
D419,848 S	2/2000	Kirby	
D420,261 S	2/2000	Carter, Jr.	
D439,490 S	3/2001	Bagley	
6,298,512 B1	10/2001	Hagen	
6,308,390 B1	* 10/2001	Sullivan	29/275
6,351,881 B1	3/2002	Peckich	
6,409,152 B1	6/2002	Bagley	
6,901,644 B1	* 6/2005	Rich	29/275
6,922,880 B1	* 8/2005	Green	29/267

* cited by examiner

Primary Examiner—Philip S. Hyder
(74) *Attorney, Agent, or Firm*—Berenato, White & Stavish,
LLC

(57) **CLAIM**

I claim, the ornamental design for a hinge pin removal tool,
as shown and described.

DESCRIPTION

FIG. 1 is a perspective view of my new hinge pin removal tool;
FIG. 2 is a top plan view;
FIG. 3 is a bottom plan view;
FIG. 4 is a left side elevational view;
FIG. 5 is a right side elevational view;
FIG. 6 is a front elevational view; and,
FIG. 7 is a rear elevational view.

1 Claim, 3 Drawing Sheets

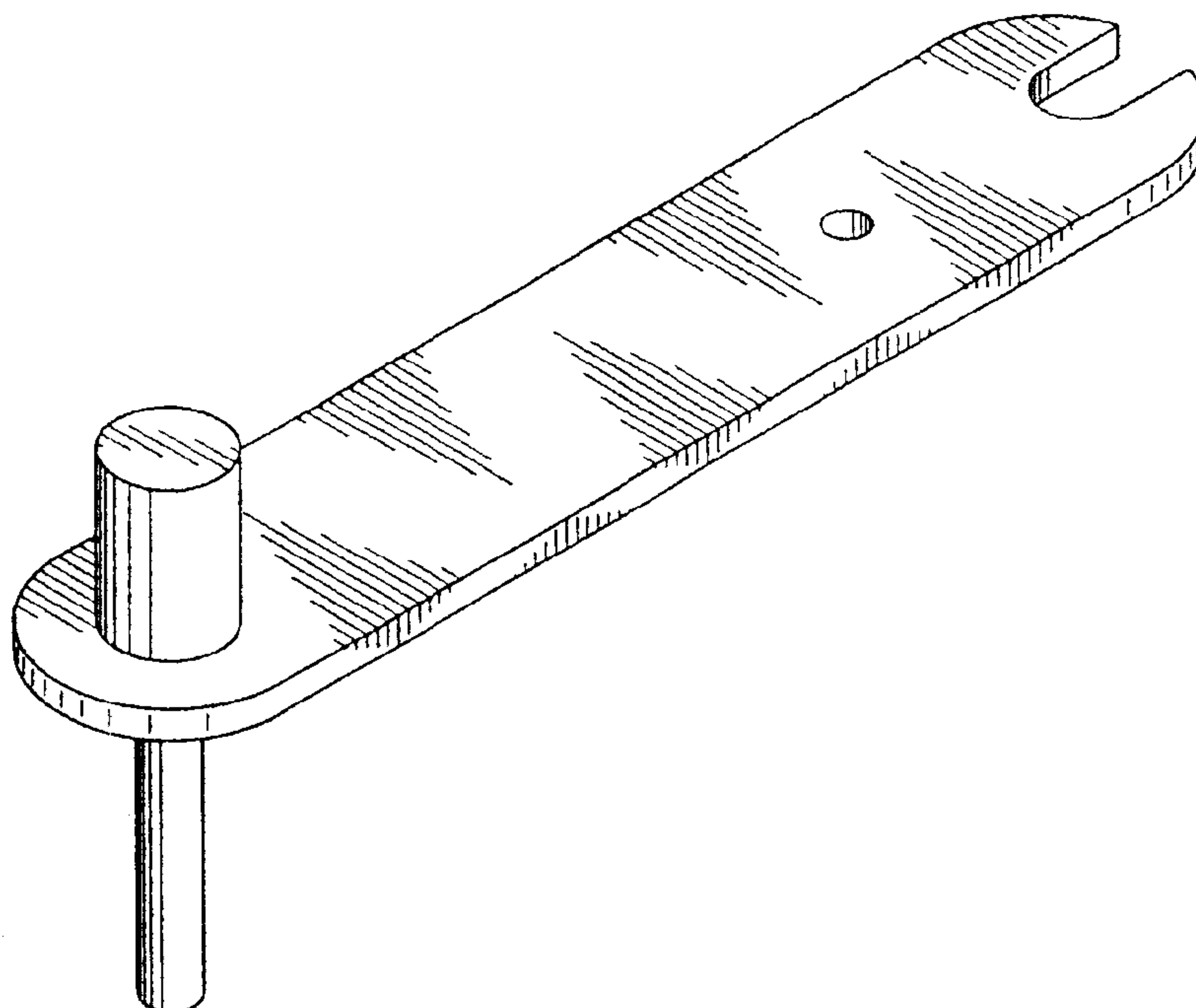


Fig. 1

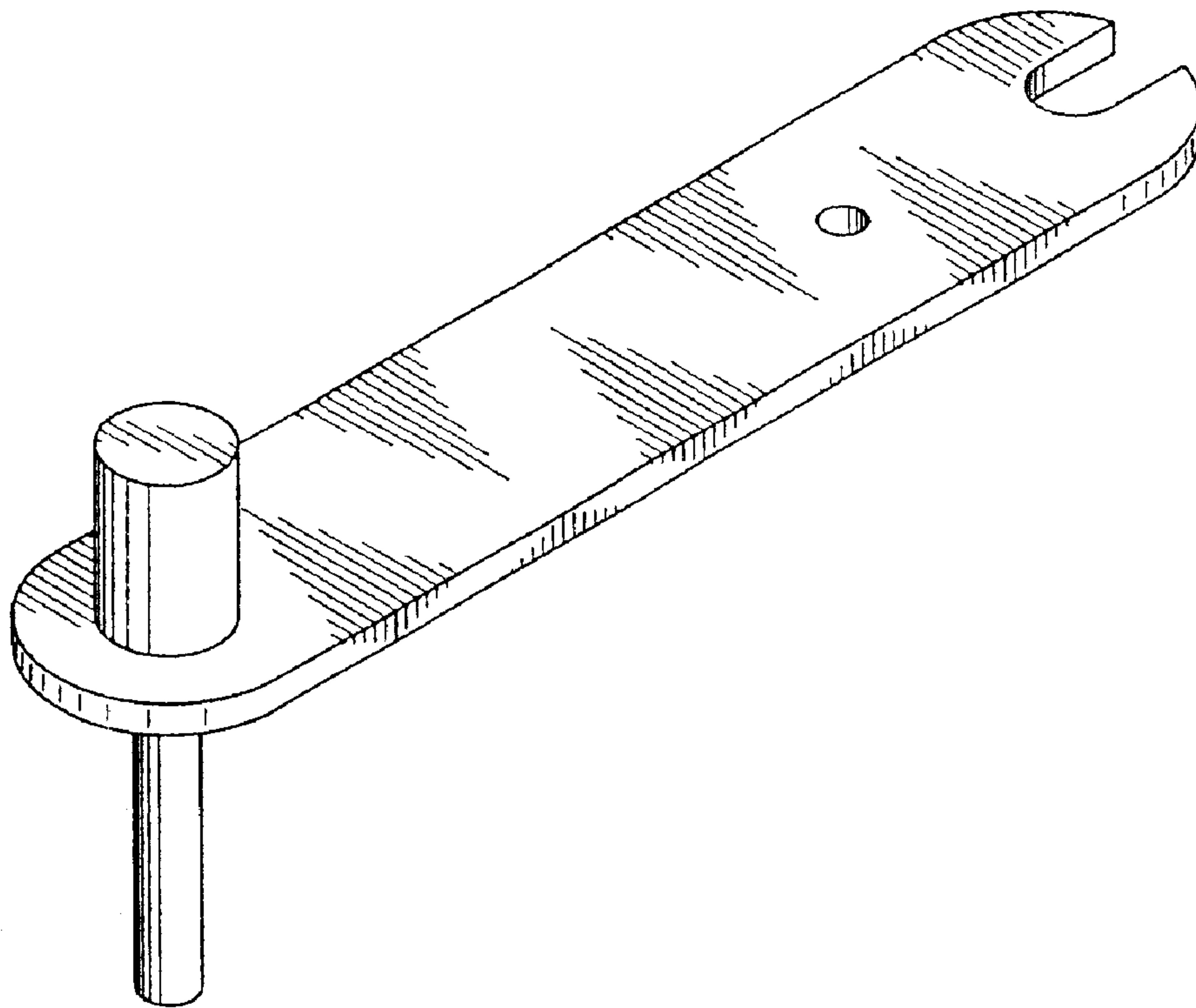


Fig. 2

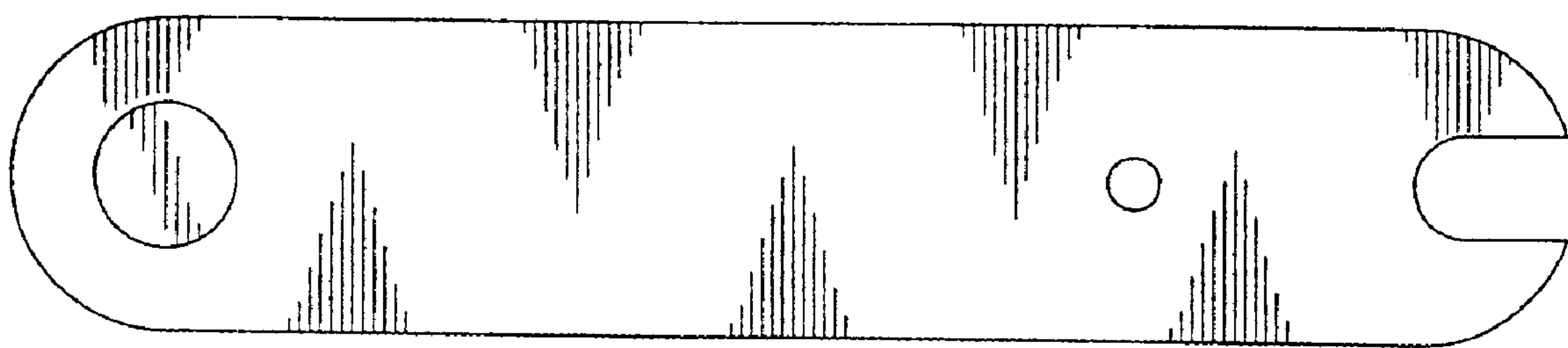


Fig. 3

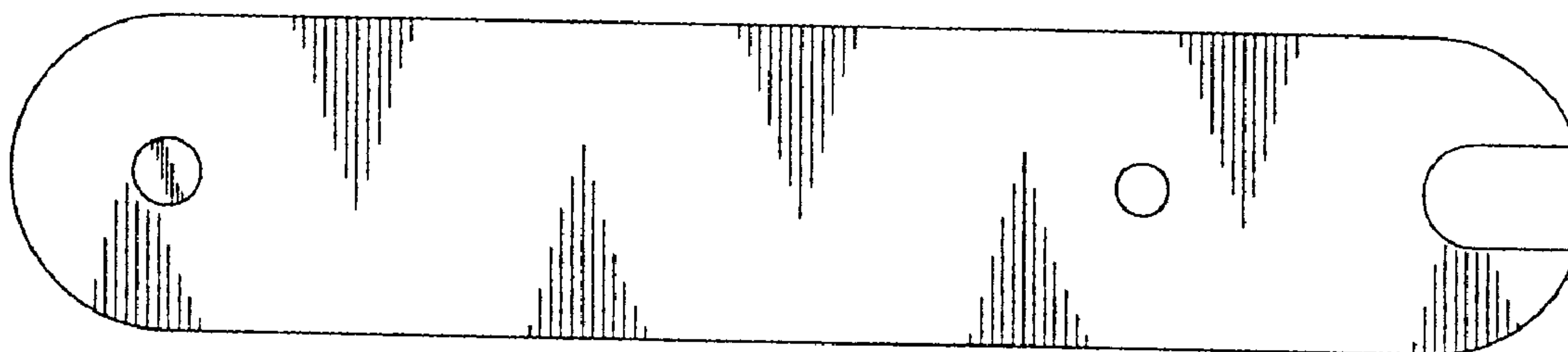


Fig. 4

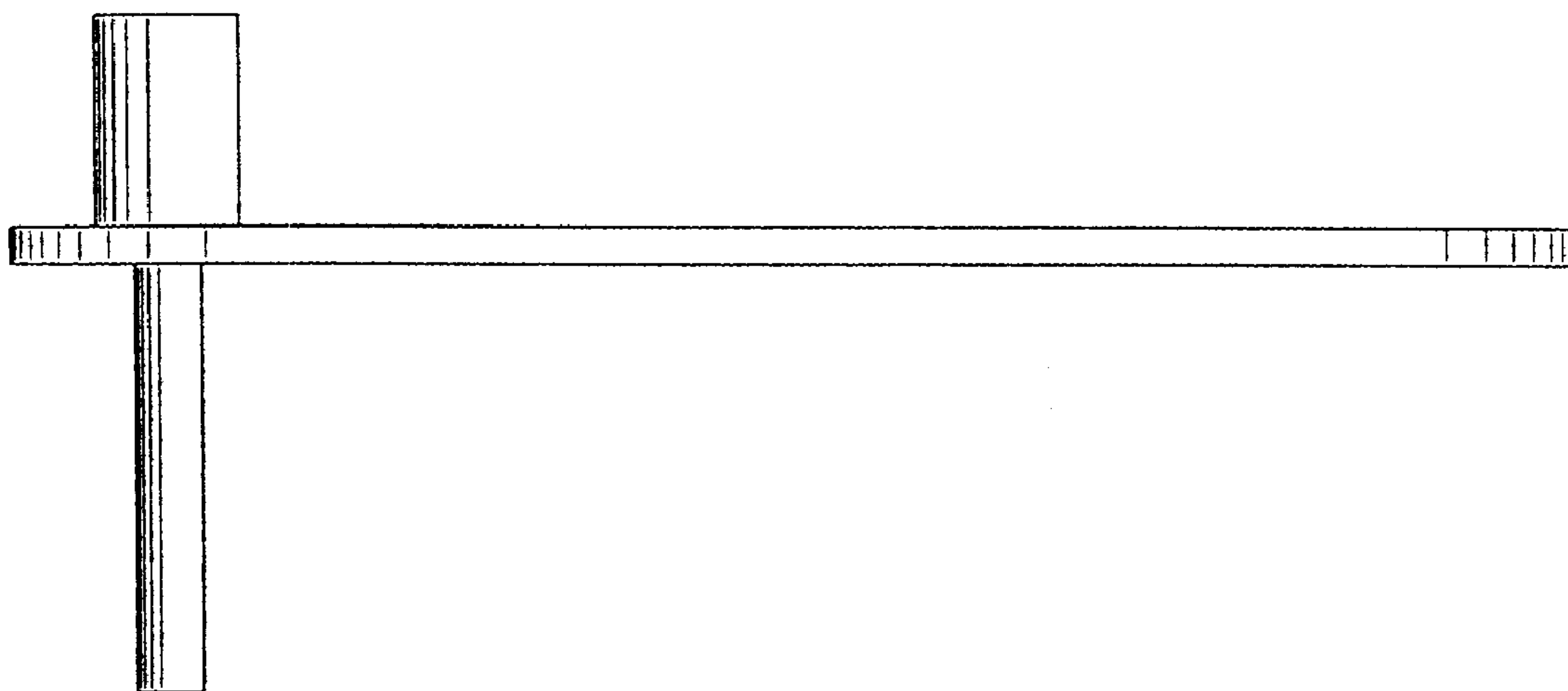


Fig. 5

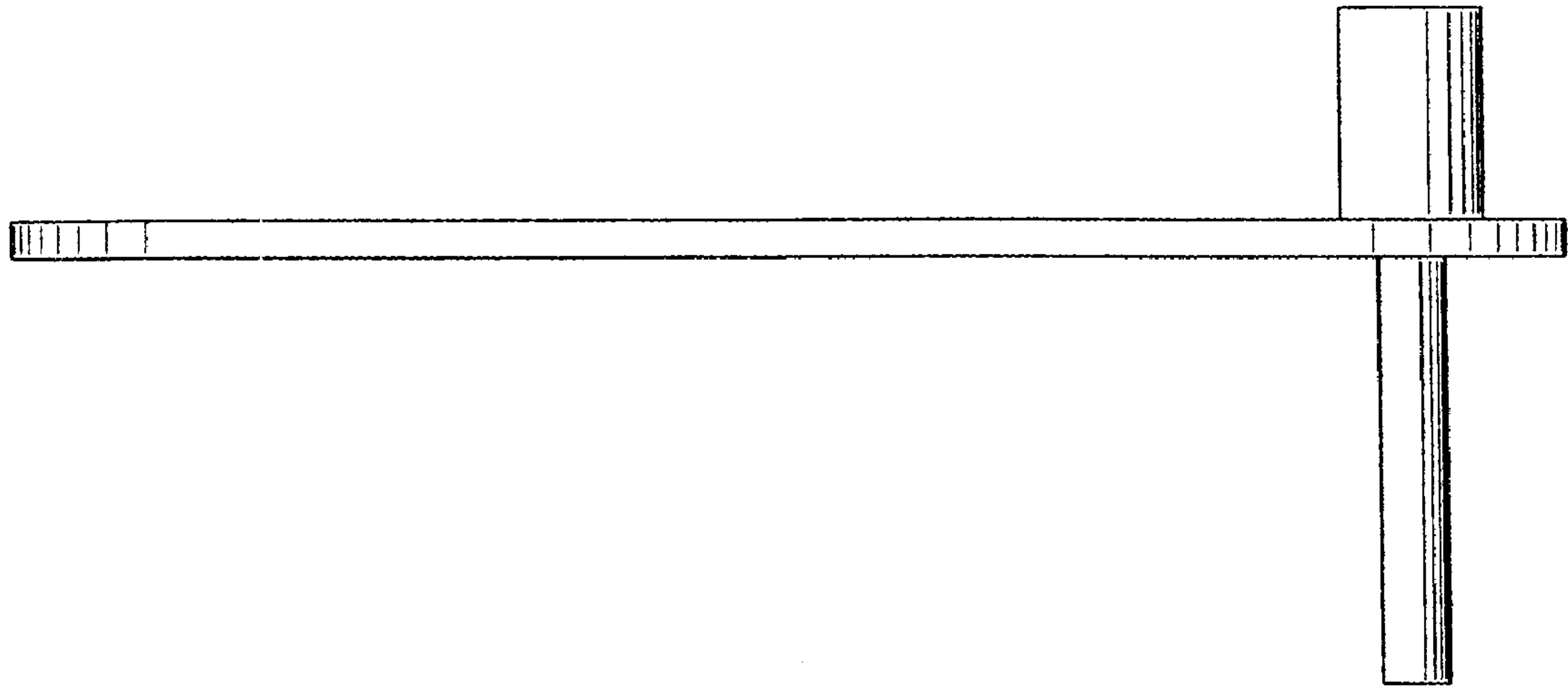


Fig. 6

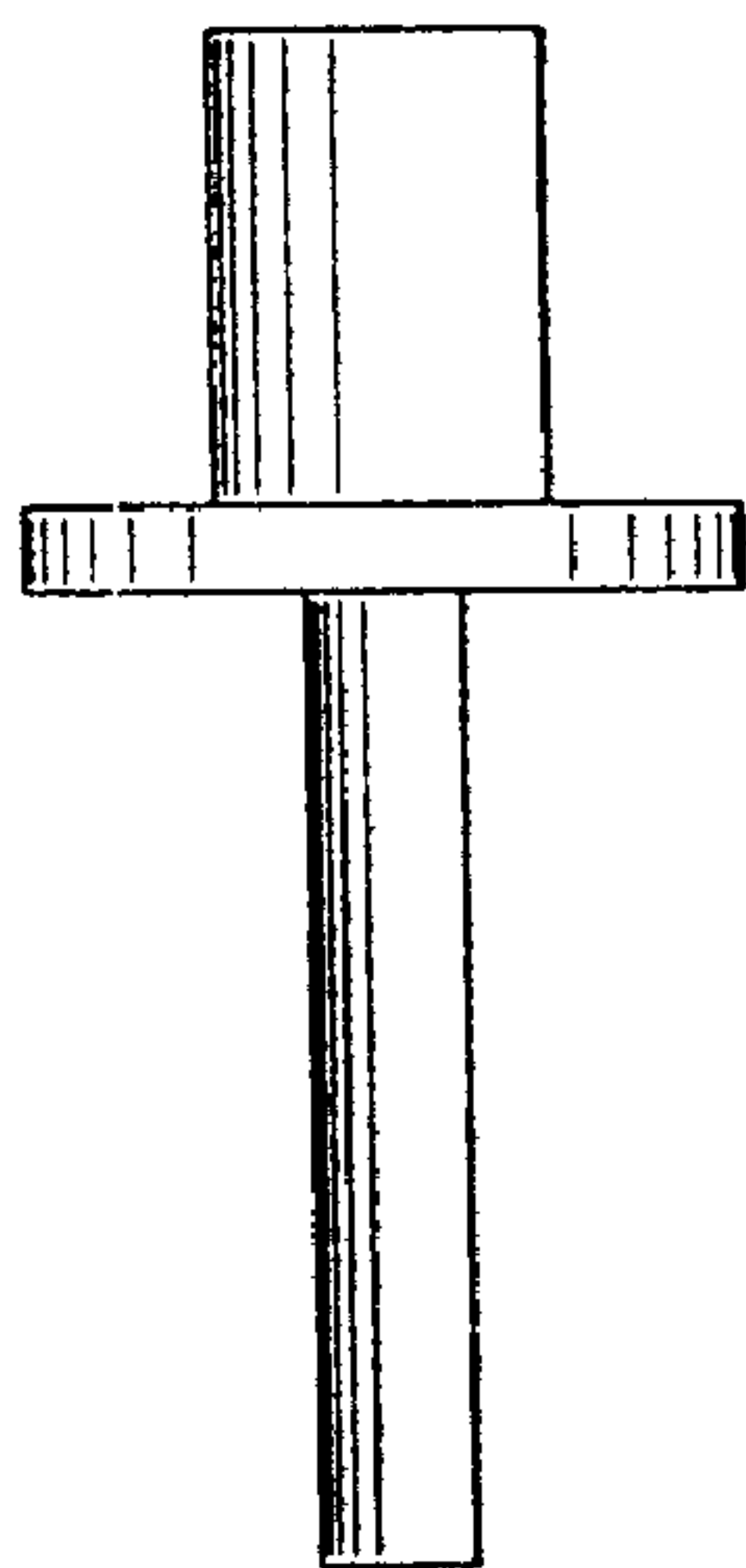


Fig. 7

