



US00D532660S

(12) **United States Design Patent**
Raichlen et al.

(10) **Patent No.:** **US D532,660 S**

(45) **Date of Patent:** **** Nov. 28, 2006**

(54) **FOOD HOLDER**

(75) Inventors: **Steven Raichlen**, Miami, FL (US);
Charles Adams, Berkeley, CA (US)

(73) Assignee: **Charcoal Companion Incorporated**,
Emeryville, CA (US)

(**) Term: **14 Years**

(21) Appl. No.: **29/235,756**

(22) Filed: **Aug. 5, 2005**

(51) **LOC (8) Cl.** **07-06**

(52) **U.S. Cl.** **D7/669; D7/683**

(58) **Field of Classification Search** D7/683,
D7/368, 669, 601; 99/340, 347, 345, 425,
99/426, 421 R, 421 V, 415-419

See application file for complete search history.

(56) **References Cited**

U.S. PATENT DOCUMENTS

6,192,792 B1 * 2/2001 Gremillion 99/426

6,272,976 B1 * 8/2001 Berryman 99/340

6,467,399 B1 * 10/2002 Boutte 99/347

6,502,501 B1 * 1/2003 Simon 99/345

* cited by examiner

Primary Examiner—Terry A. Wallace

(74) *Attorney, Agent, or Firm*—Donald L. Beeson; Beeson
Skinner Beverly, LLP

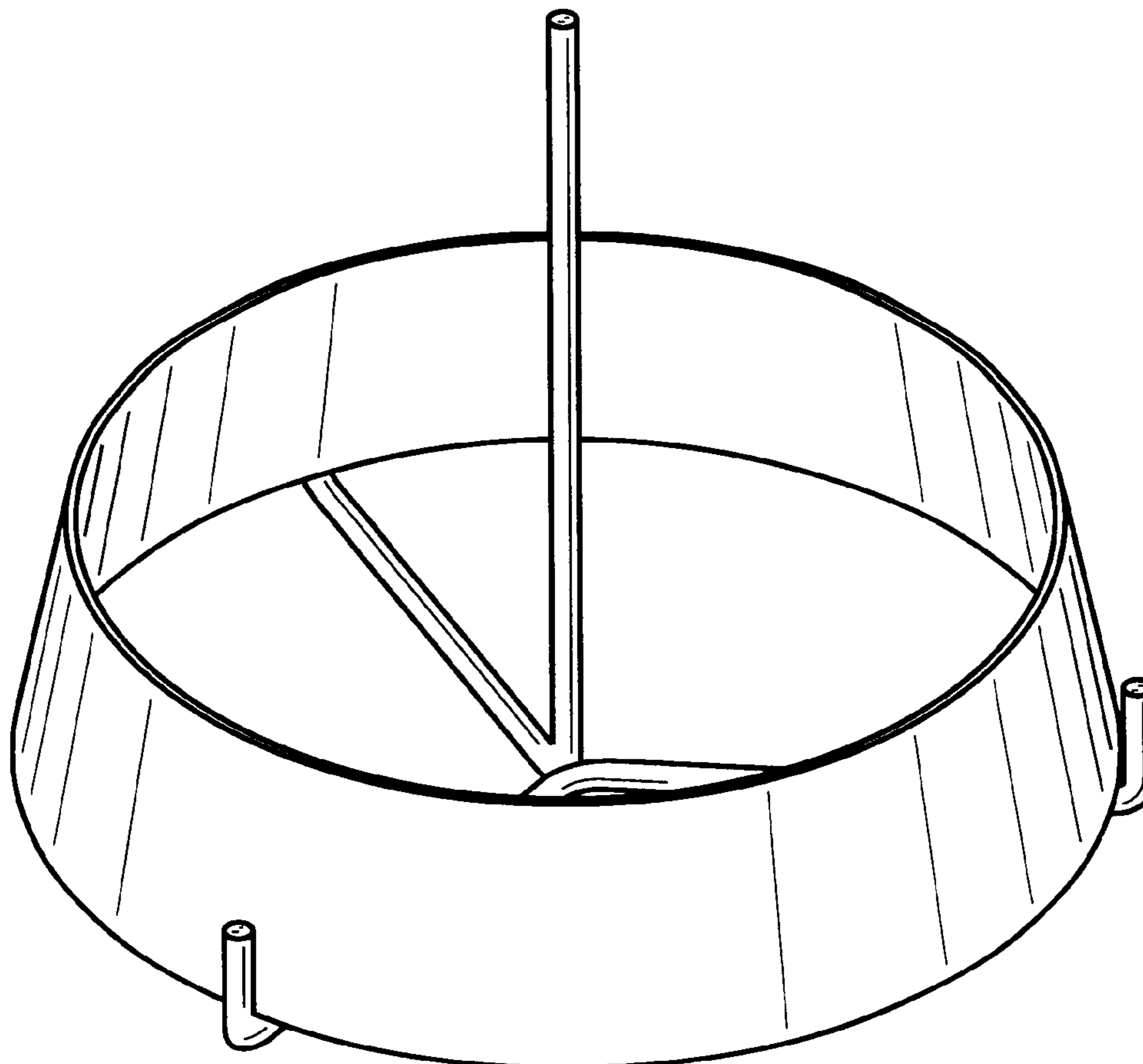
(57) **CLAIM**

The ornamental design for a food holder, as shown and
described.

DESCRIPTION

FIG. 1 is a top perspective view of a food holder for
supporting food items on a grill showing our new design;
FIG. 2 is a front elevational view thereof;
FIG. 3 is a right side elevational view thereof, the left side
being a mirror image;
FIG. 4 is a rear elevational view thereof;
FIG. 5 is a top plan view thereof; and,
FIG. 6 is a bottom plan view thereof.

1 Claim, 3 Drawing Sheets



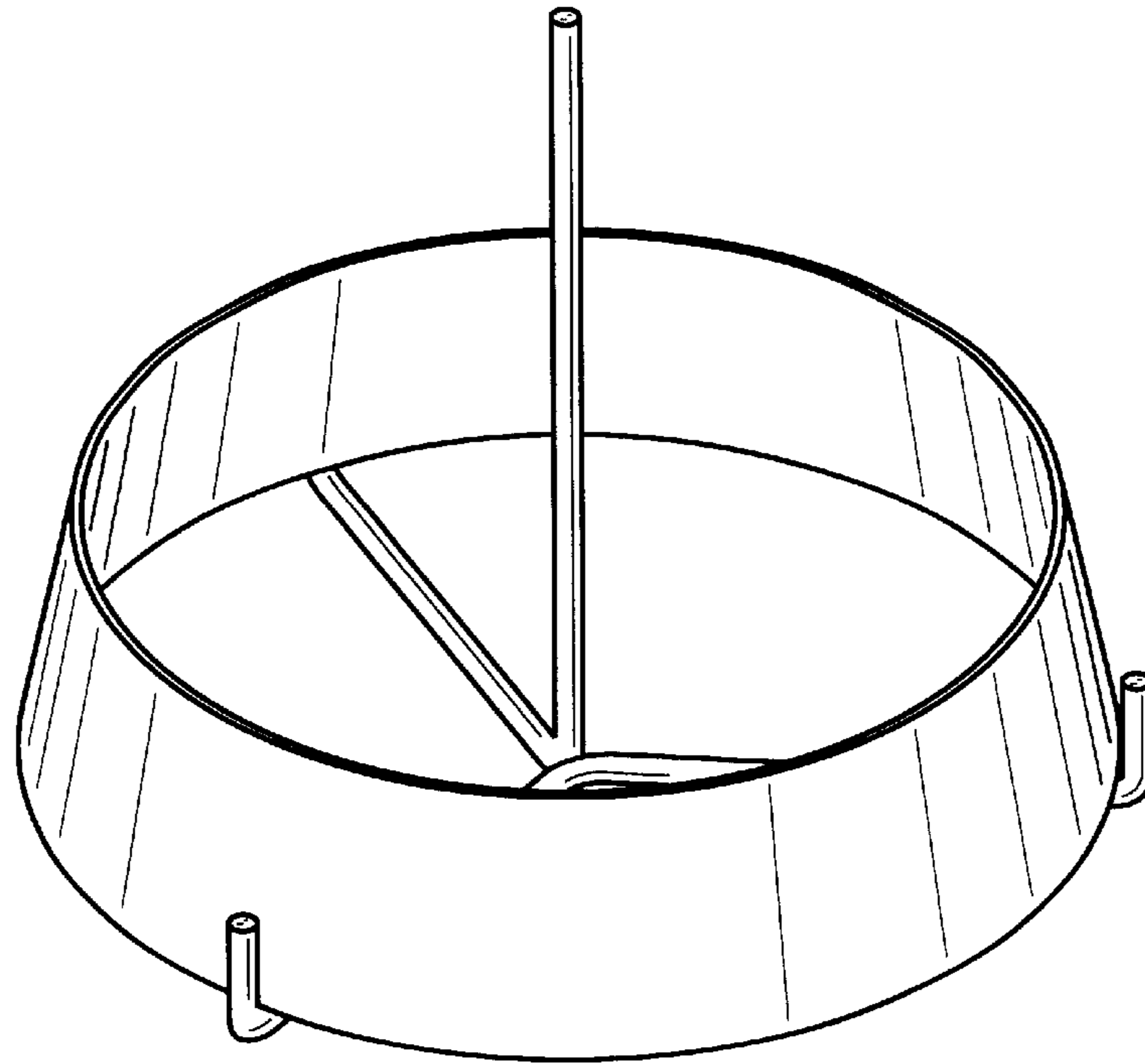


FIG._1

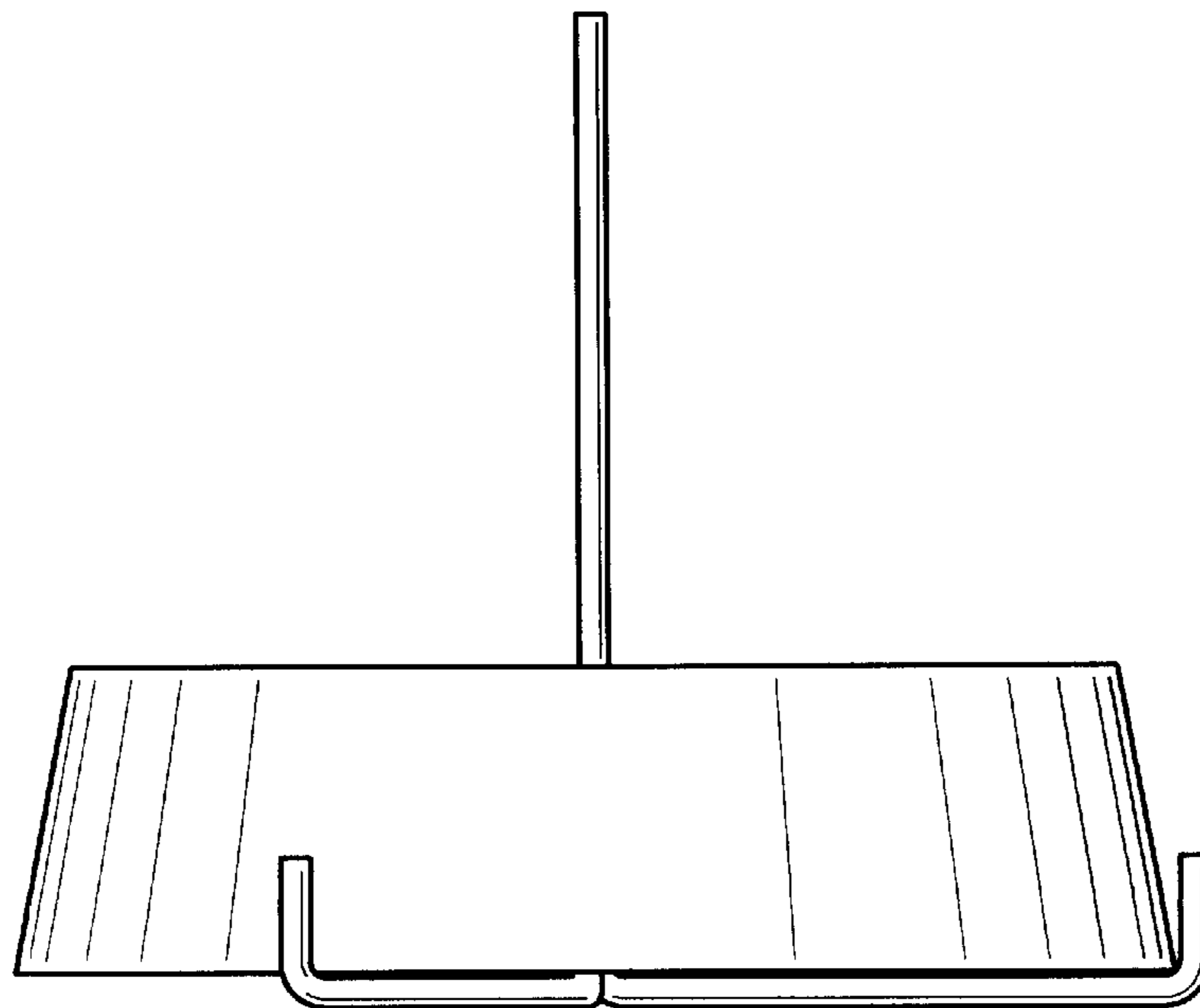


FIG._3

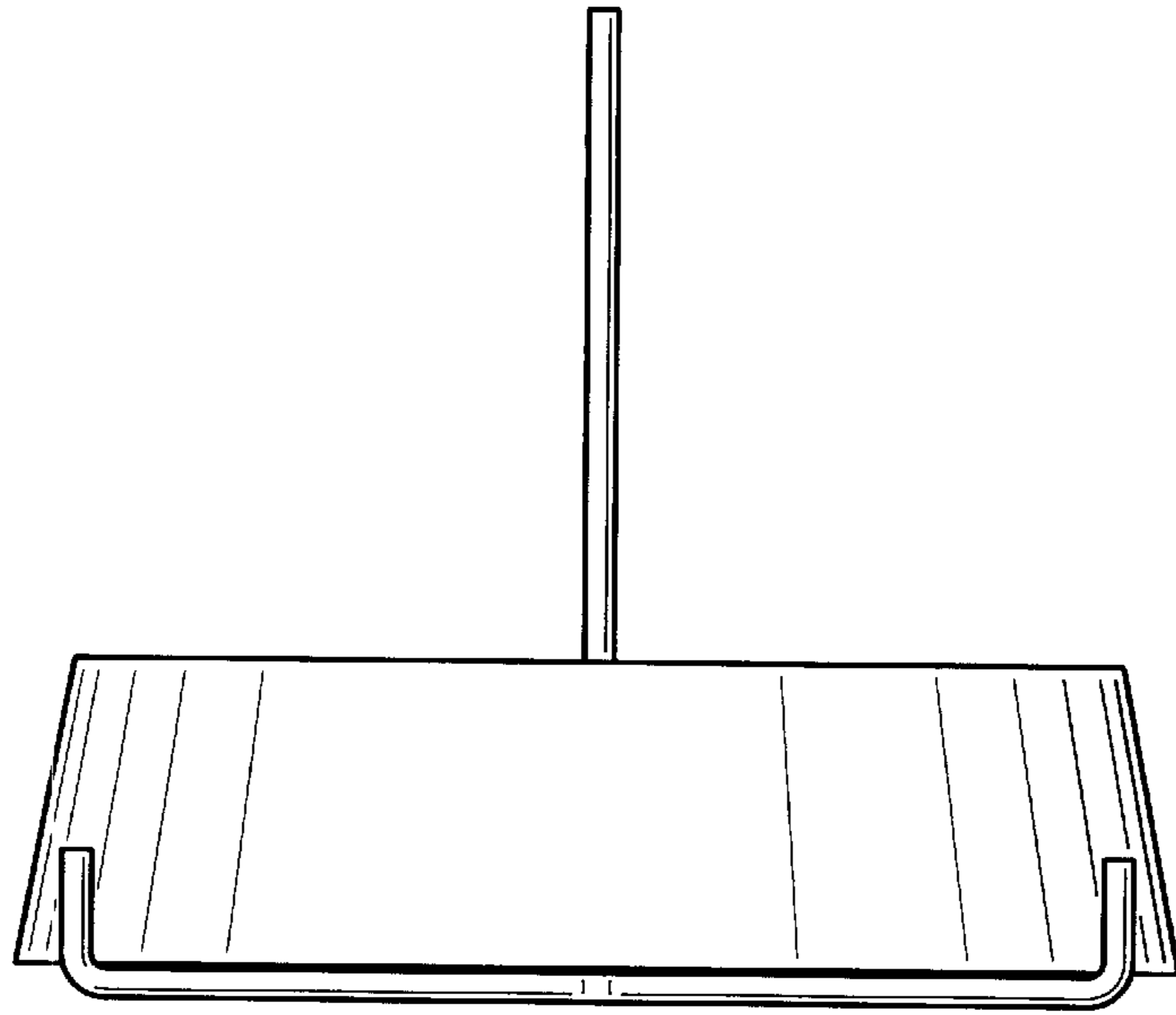


FIG._2

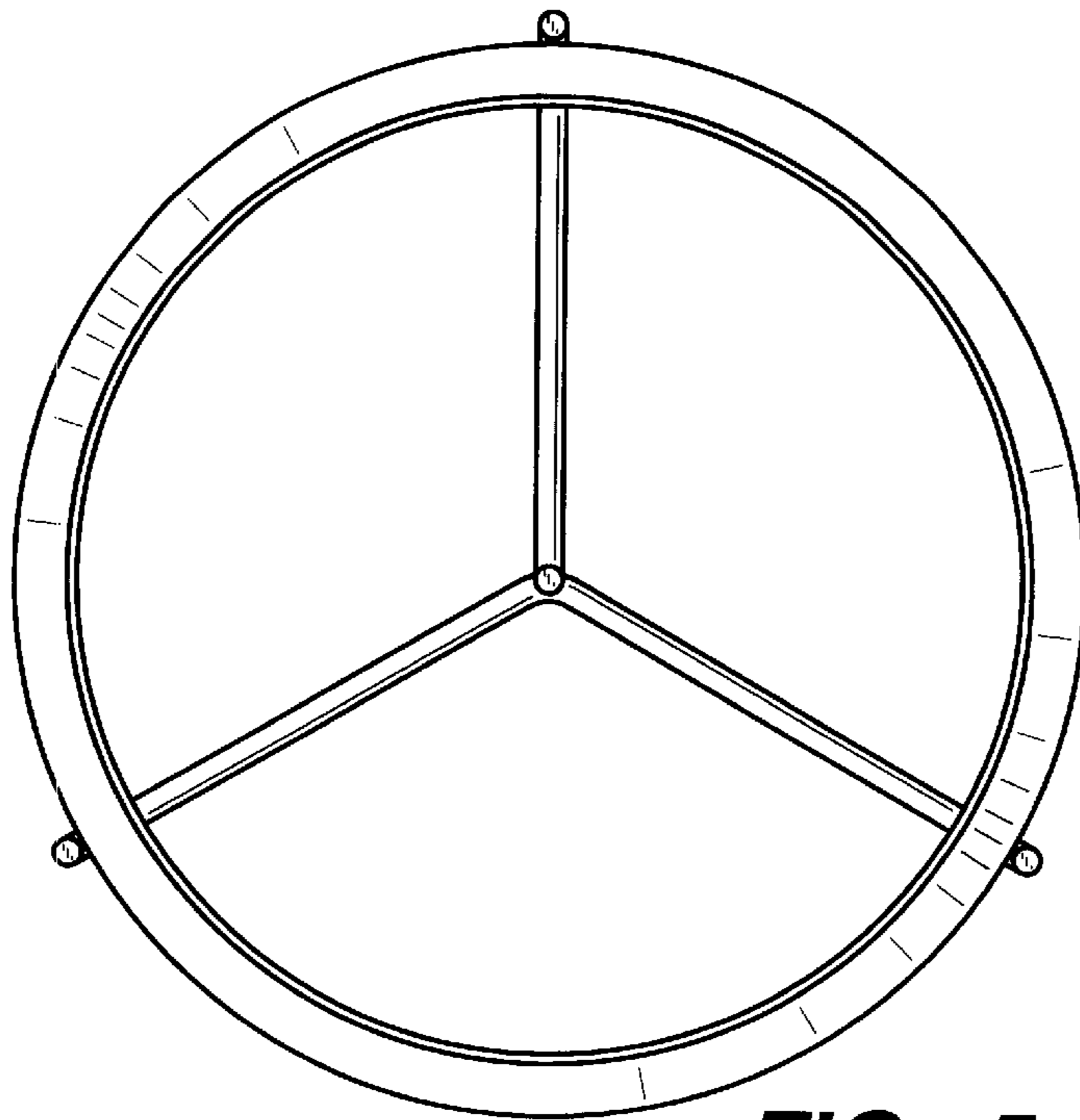


FIG._5

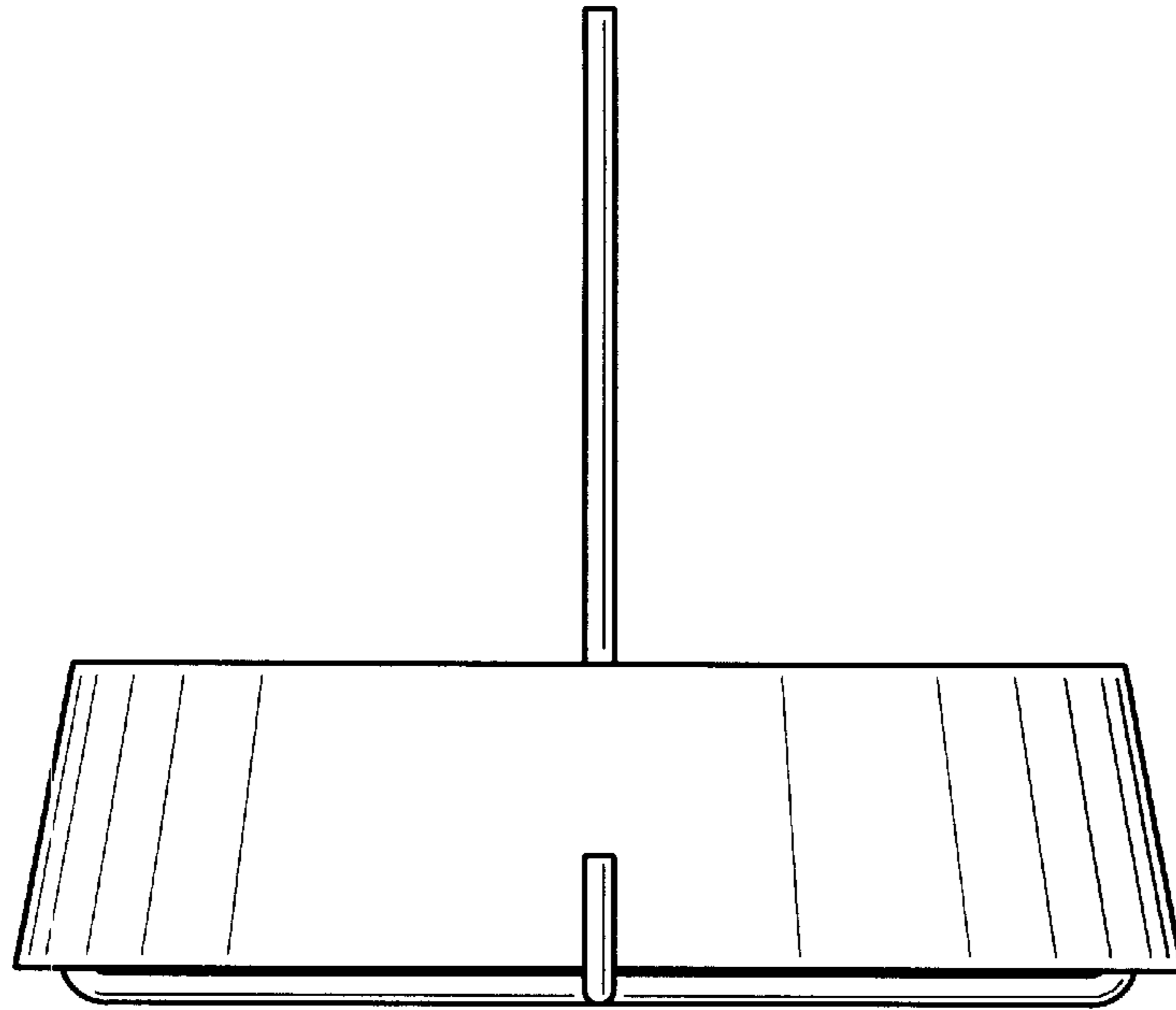


FIG._4

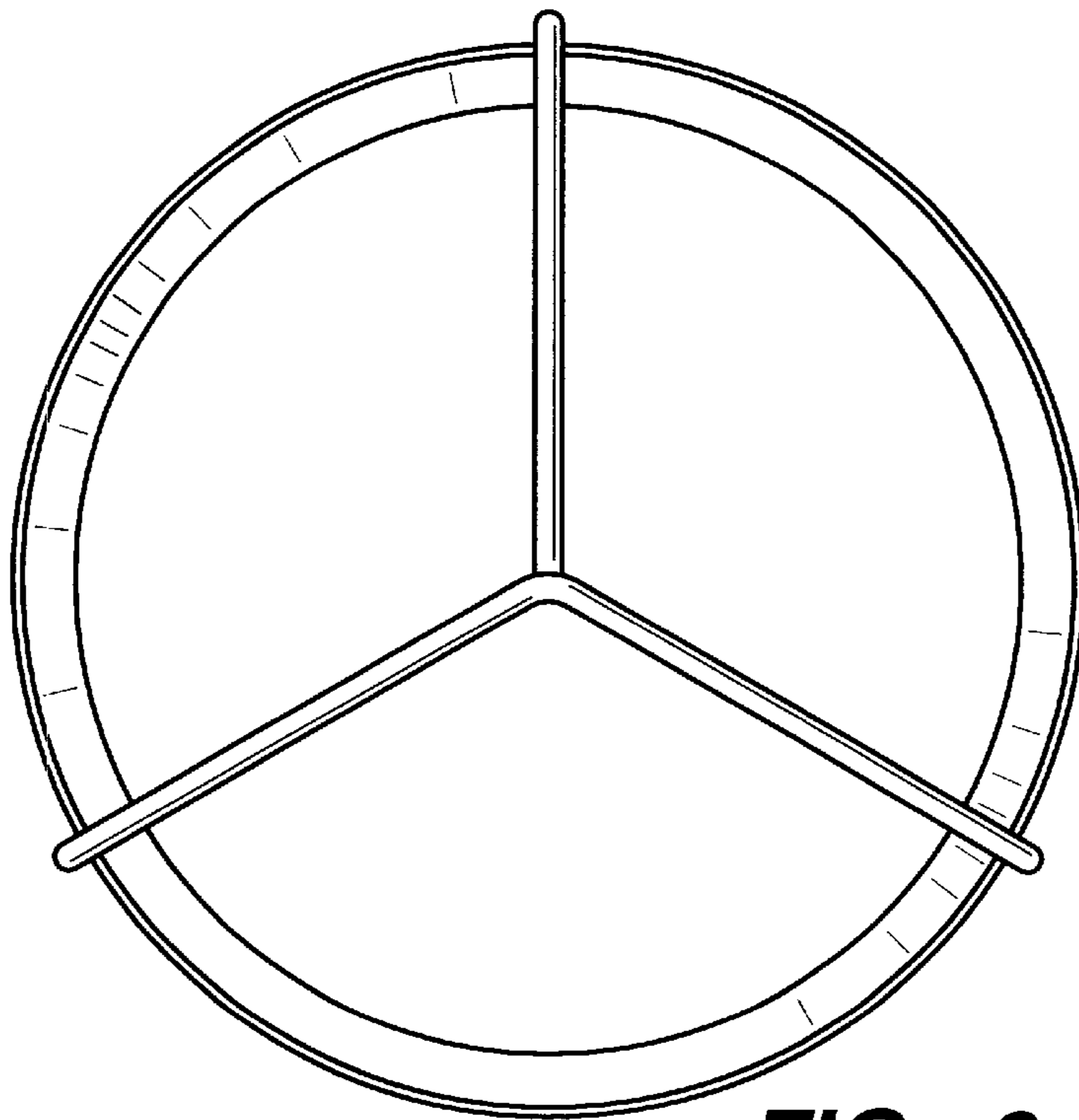


FIG._6