



US00D532658S

(12) **United States Design Patent**  
**Shen et al.**

(10) **Patent No.:** **US D532,658 S**

(45) **Date of Patent:** **\*\* Nov. 28, 2006**

(54) **FEATHERED KNIFE BLOCK**

(75) Inventors: **Wei Shen**, San Gabriel, CA (US);  
**Barbara Ayon**, Los Angeles, CA (US)

(73) Assignee: **Tabletops Unlimited, Inc.**, Carson, CA (US)

(\*\*) Term: **14 Years**

(21) Appl. No.: **29/239,345**

(22) Filed: **Sep. 28, 2005**

**Related U.S. Application Data**

(63) Continuation-in-part of application No. 29/215,917, filed on Oct. 26, 2004, now abandoned.

(51) **LOC (8) Cl.** ..... **07-06**

(52) **U.S. Cl.** ..... **D7/637**

(58) **Field of Classification Search** ..... D7/637-641;  
30/298.4; 211/70.6, 70.7; 248/37.3, 37.6;  
269/16, 289 R

See application file for complete search history.

(56) **References Cited**

**U.S. PATENT DOCUMENTS**

D360,810 S \* 8/1995 Humaj ..... D7/637  
5,655,672 A \* 8/1997 Stuchlik, III ..... 211/70.7  
D443,799 S \* 6/2001 Stuchlik, III ..... D7/637  
6,371,312 B1 \* 4/2002 Tsuchida ..... 211/70.7

\* cited by examiner

*Primary Examiner*—Terry A. Wallace

(74) *Attorney, Agent, or Firm*—Blakely, Sokoloff, Taylor & Zafman LLP

(57) **CLAIM**

The ornamental design for a feathered knife block, as shown and described.

**DESCRIPTION**

FIG. 1 is a left side view of the feathered knife block.

FIG. 2 is a back side view of the feathered knife block.

FIG. 3 is a right side view of the feathered knife block.

FIG. 4 is a front side view of the feathered knife block.

FIG. 5 is a left perspective view of the feathered knife block.

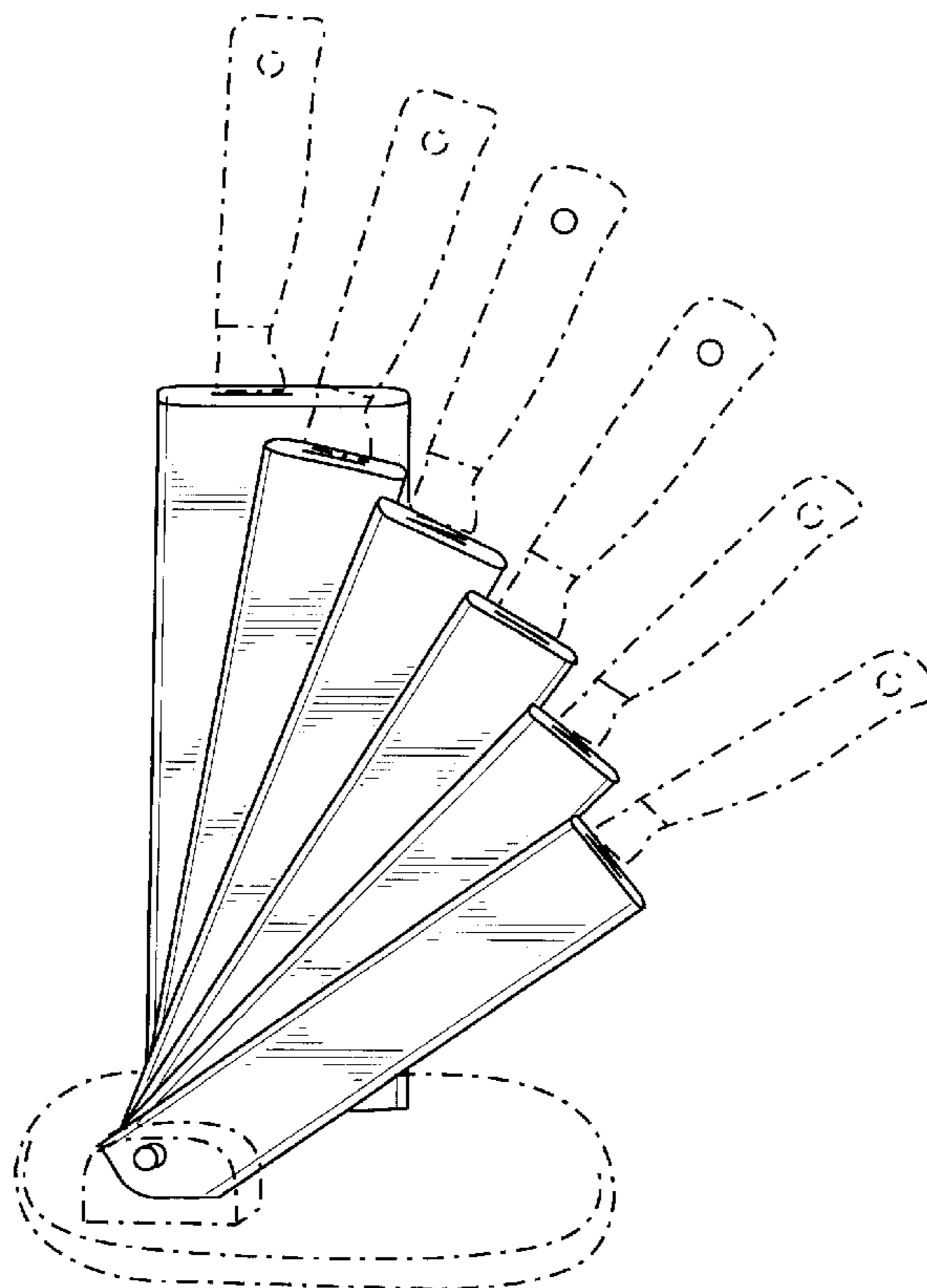
FIG. 6 is a left side view of another embodiment of the feathered knife block; and,

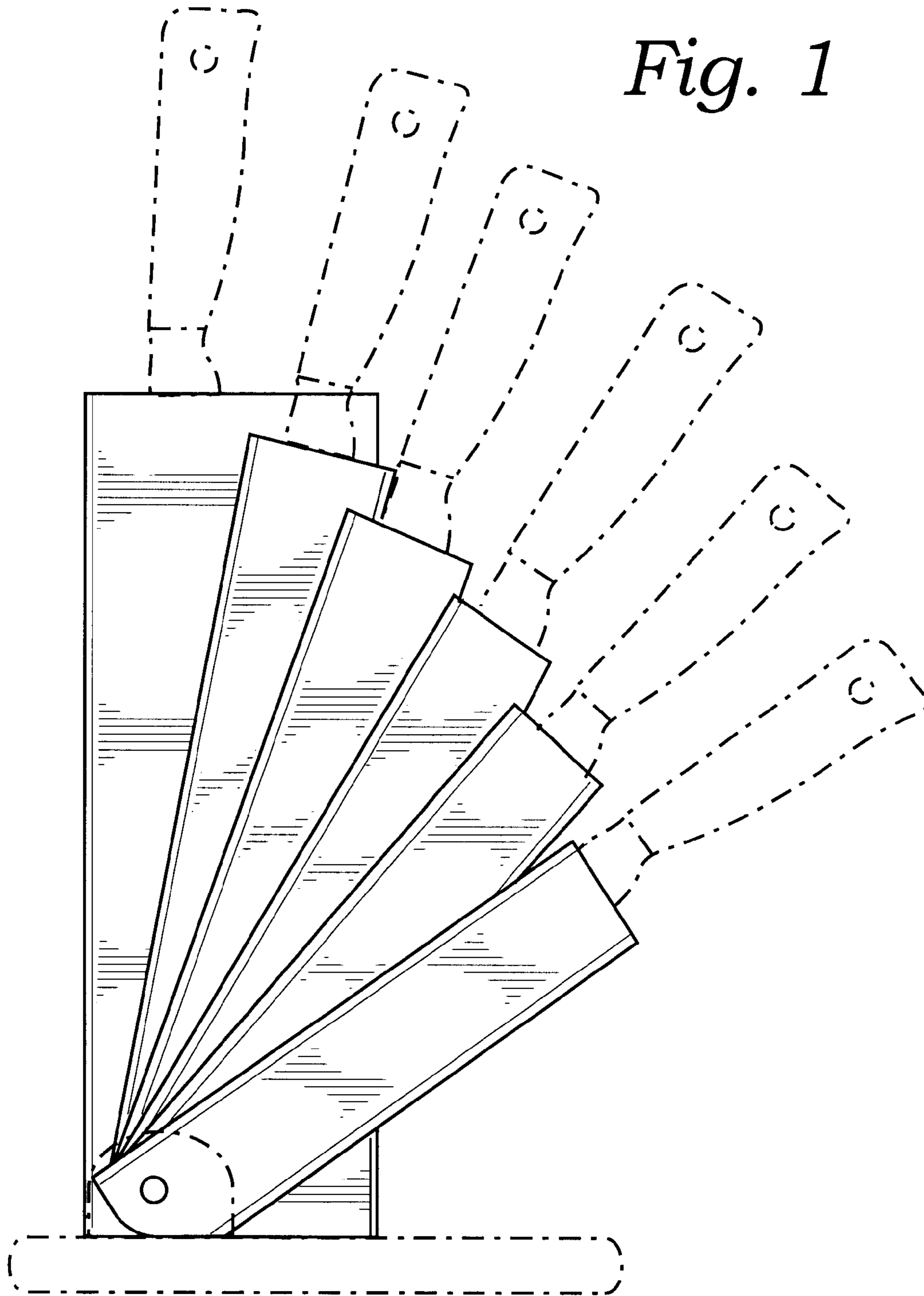
FIG. 7 is a left side view of yet another embodiment of the feathered knife block.

The broken lines in the figures are for environmental purpose only and form no part of the claimed design.

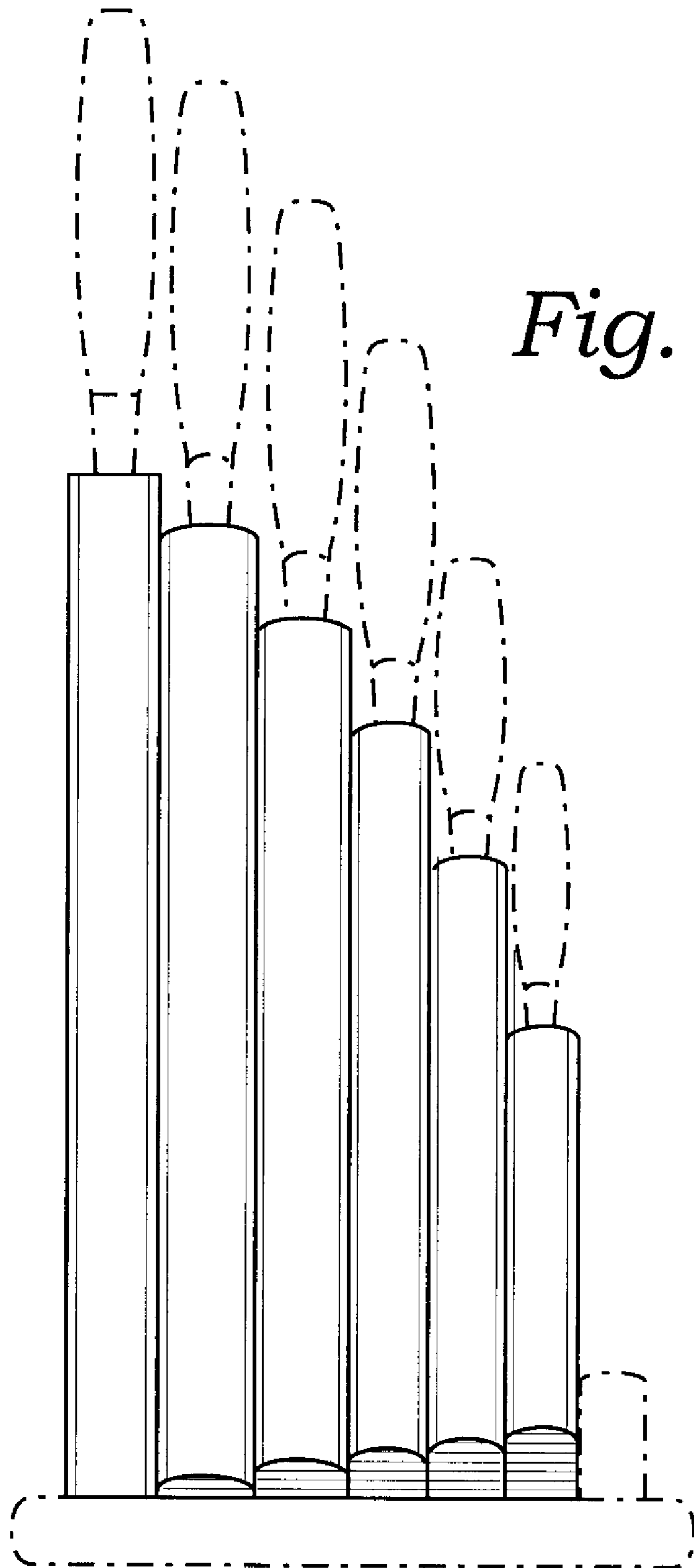
The embodiments of FIGS. 6 and 7 are shown in single views, where the only differences between these embodiments and the first (FIGS. 1-5) are in the number of segments (seven in FIG. 6, five in FIG. 7, as compared to six in FIGS. 1-5), it being understood that all other surfaces are the same as those of the first embodiment.

**1 Claim, 7 Drawing Sheets**



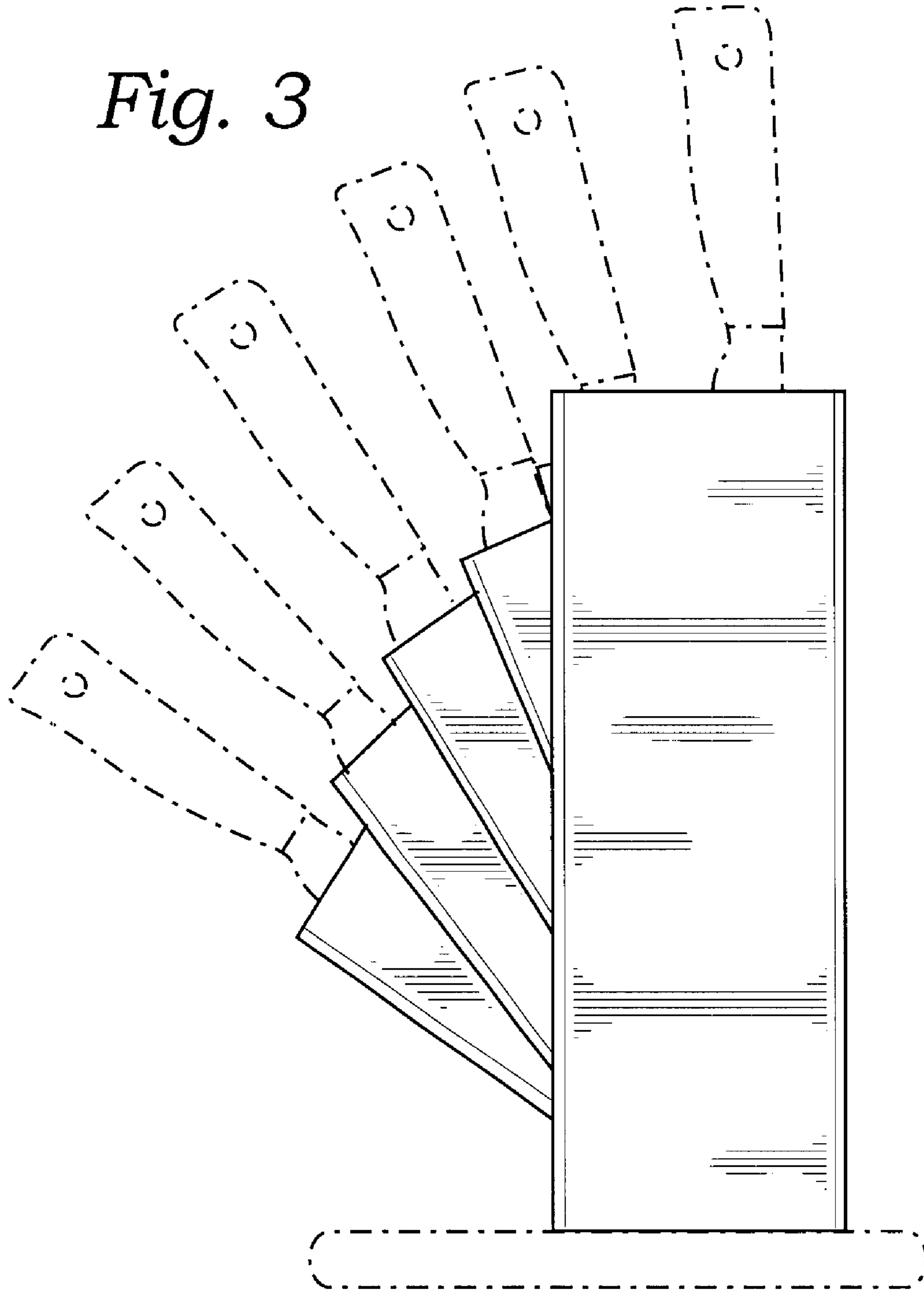


*Fig. 1*

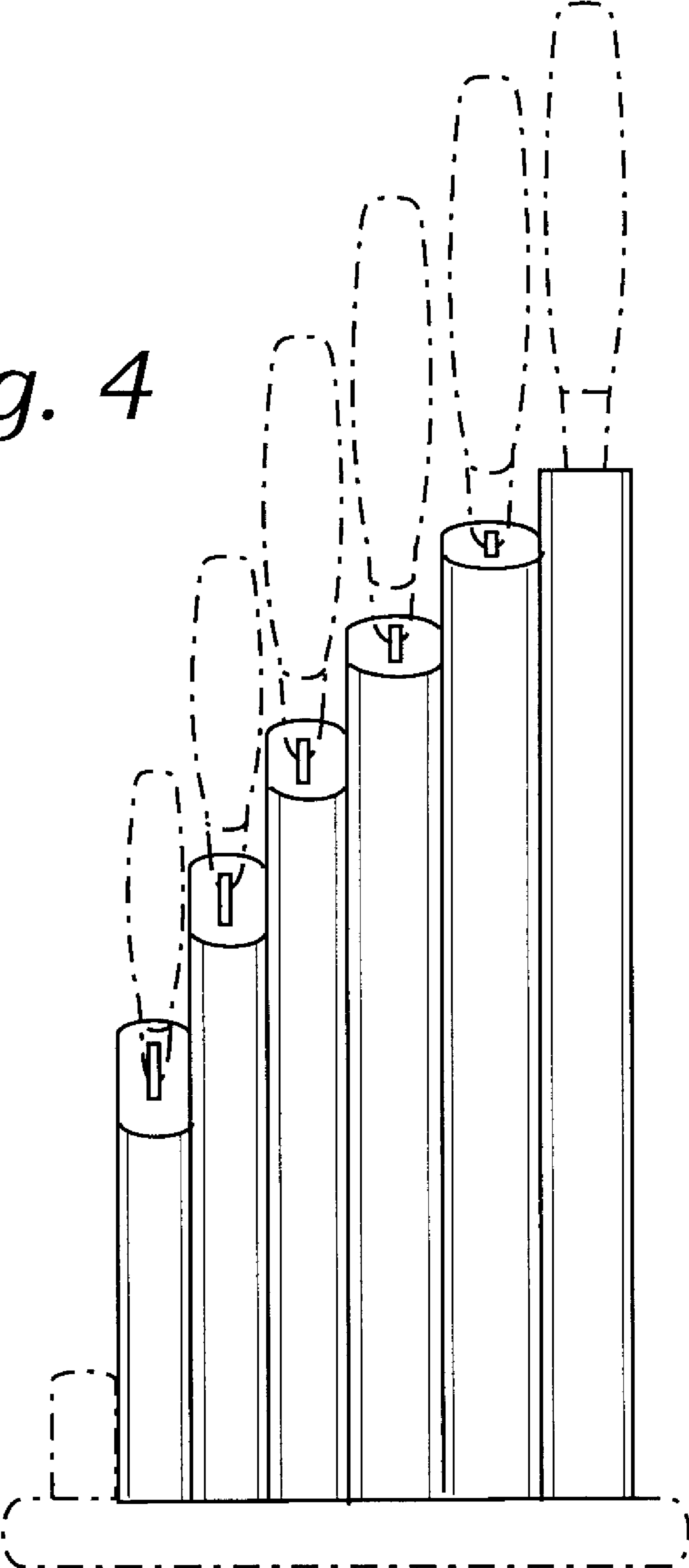


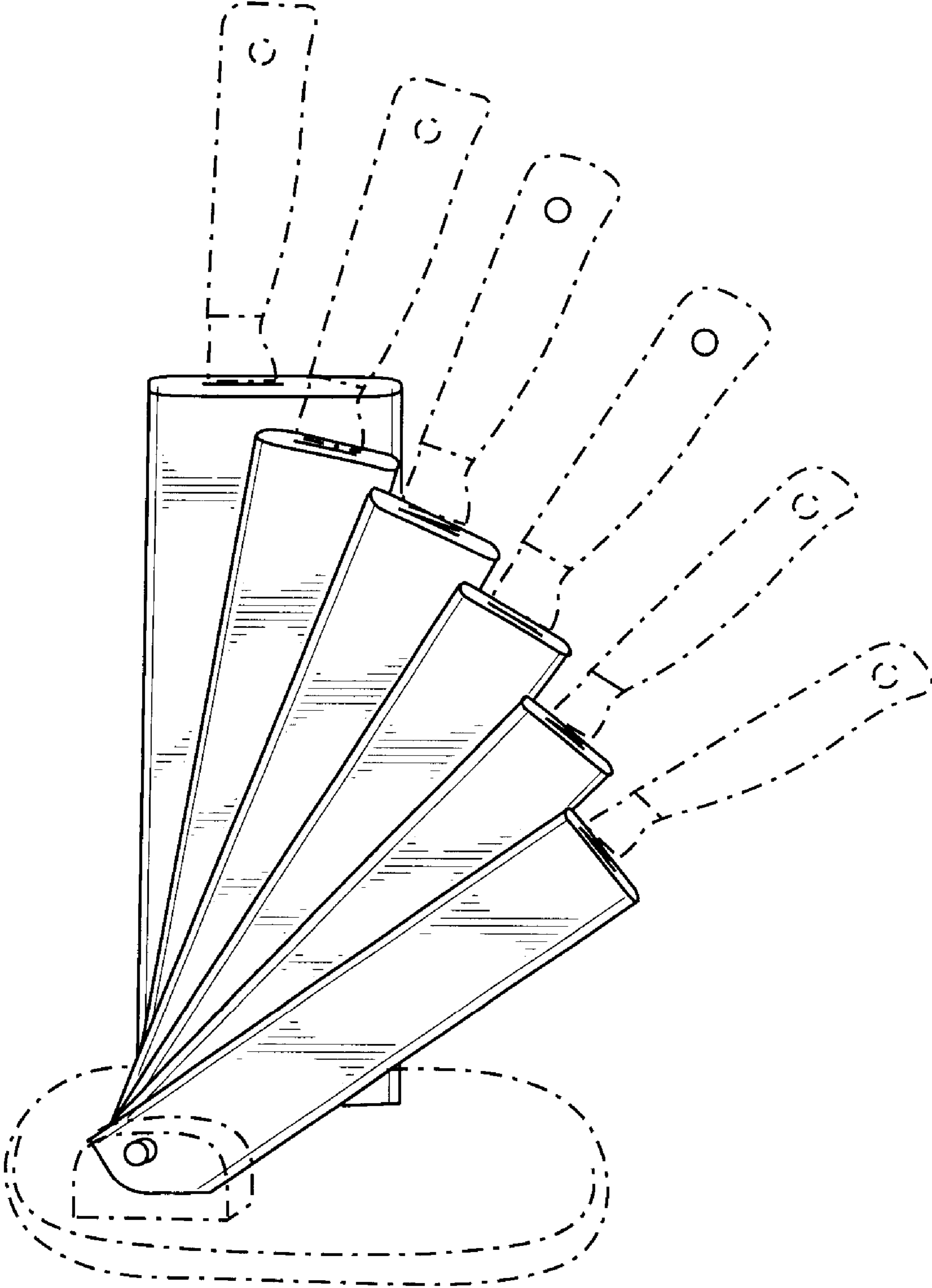
*Fig. 2*

*Fig. 3*

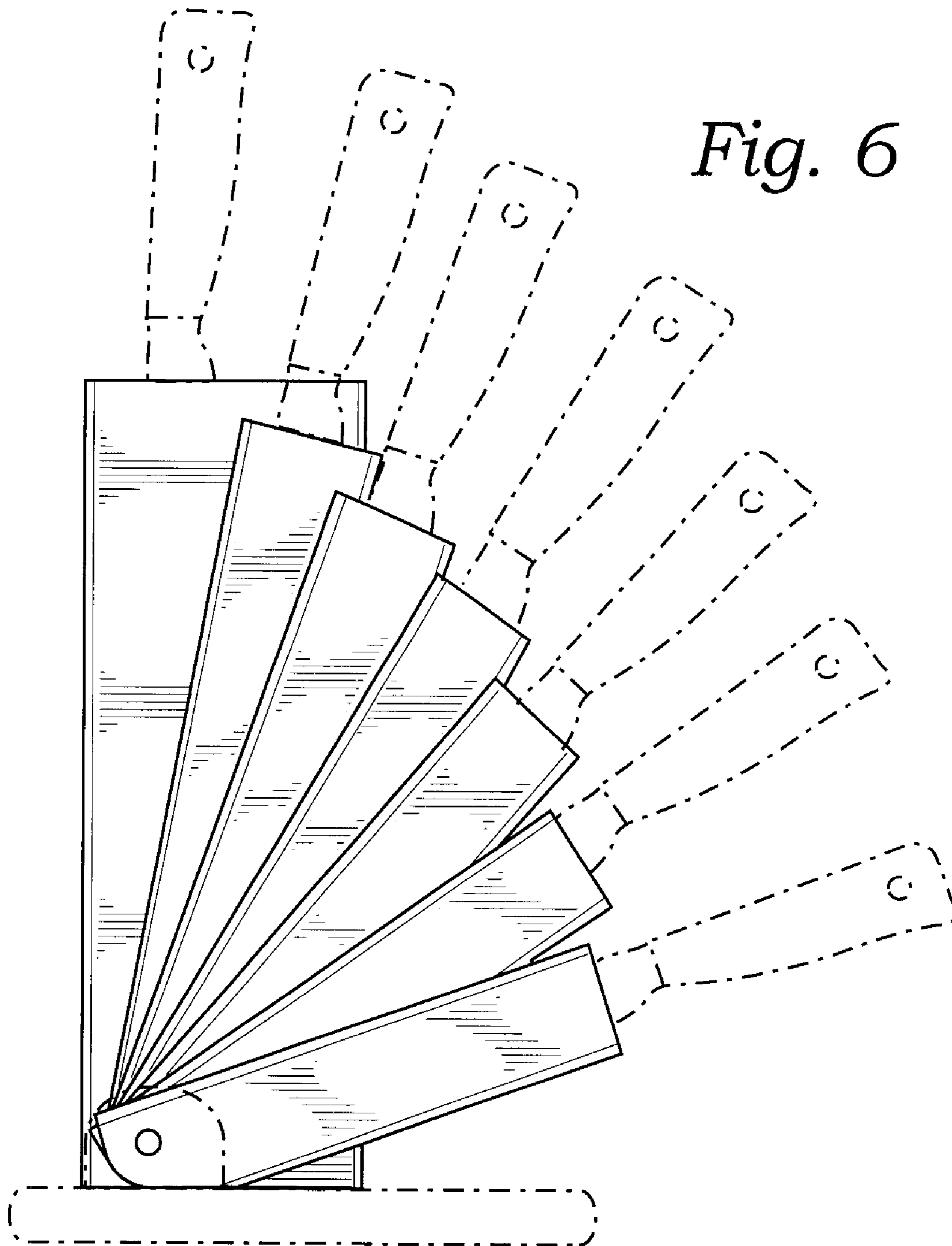


*Fig. 4*





*Fig. 5*



*Fig. 6*

