



US00D532655S

(12) **United States Design Patent** (10) **Patent No.:** **US D532,655 S**
Elwell et al. (45) **Date of Patent:** **** Nov. 28, 2006**

(54) **RACK**

(75) Inventors: **Eric S. Elwell**, Louisville, KY (US);
Esther Chui Lian Ang, Louisville, KY
(US); **Lonita Barron**, New Albany, IN
(US); **Michael E. Harlamert**,
Louisville, KY (US); **John C. Murray**,
Louisville, KY (US); **Paul Shuter**,
Louisville, KY (US)

(73) Assignee: **KFC Corp.**, Louisville, KY (US)

(**) Term: **14 Years**

(21) Appl. No.: **29/254,954**

(22) Filed: **Mar. 2, 2006**

(51) **LOC (8) Cl.** **07-02**

(52) **U.S. Cl.** **D7/409**

(58) **Field of Classification Search** D7/323,
D7/354-361, 409; 99/324, 402, 422, 427,
99/421 A, 421 HH, 421 H, 421 R, 449, 450;
211/85.4; 220/573.1, 485, 491-494, 752,
220/759, 769, 912; 126/275 R; D6/462, 475;
D23/398

See application file for complete search history.

(56) **References Cited**

U.S. PATENT DOCUMENTS

1,279,668 A	9/1918	DeGanner	
D95,859 S	3/1935	Minard	
2,066,749 A	1/1937	Trank	
D118,234 S	12/1939	Grundstrom	
3,252,407 A	5/1966	Buerki	
3,358,120 A	12/1967	Schibley	
3,738,255 A	6/1973	Laigo	
3,972,318 A	8/1976	Lenoir	
4,290,349 A	9/1981	Fiorenza	
4,355,570 A	10/1982	Martin et al.	
4,398,077 A	8/1983	Freedman et al.	
D286,496 S	* 11/1986	Daenen et al.	D7/388
D286,497 S	* 11/1986	Daenen et al.	D7/388
5,105,725 A	4/1992	Haglund	

D340,835 S	* 11/1993	Lupa et al.	D7/409
5,355,779 A	* 10/1994	O'Brien et al.	99/446
D363,196 S	* 10/1995	Kristiansen	D7/698
D364,995 S	* 12/1995	Koziol	D7/409

(Continued)

OTHER PUBLICATIONS

NordicWare® online catalog product information/order page available at www.nordicware.com/foodservice/product_details.cfm?prodid=89&prod_master_cat=3&prod_cat=11 (2 pgs); accessed on Jul. 26, 2005.

Villaware online catalog product information page available at www.kasbahouse.com/villaware/modernoseries.asp (6 pgs.); accessed on Dec. 29, 2005.

Convotherm online catalog product information page available at www.clevelandrange.com/nafemproducts.asp?article=Convotherm_OGS_6_20&epdds=no®ion=us (4 pages); accessed on Dec. 29, 2005.

Primary Examiner—Cathron C. Brooks

Assistant Examiner—Ricky Pham

(74) *Attorney, Agent, or Firm*—Dicke, Billig & Czaja, PLLC

(57) **CLAIM**

The ornamental design for a rack, as shown and described.

DESCRIPTION

FIG. 1 is a perspective view of a rack, according to an embodiment of the invention.

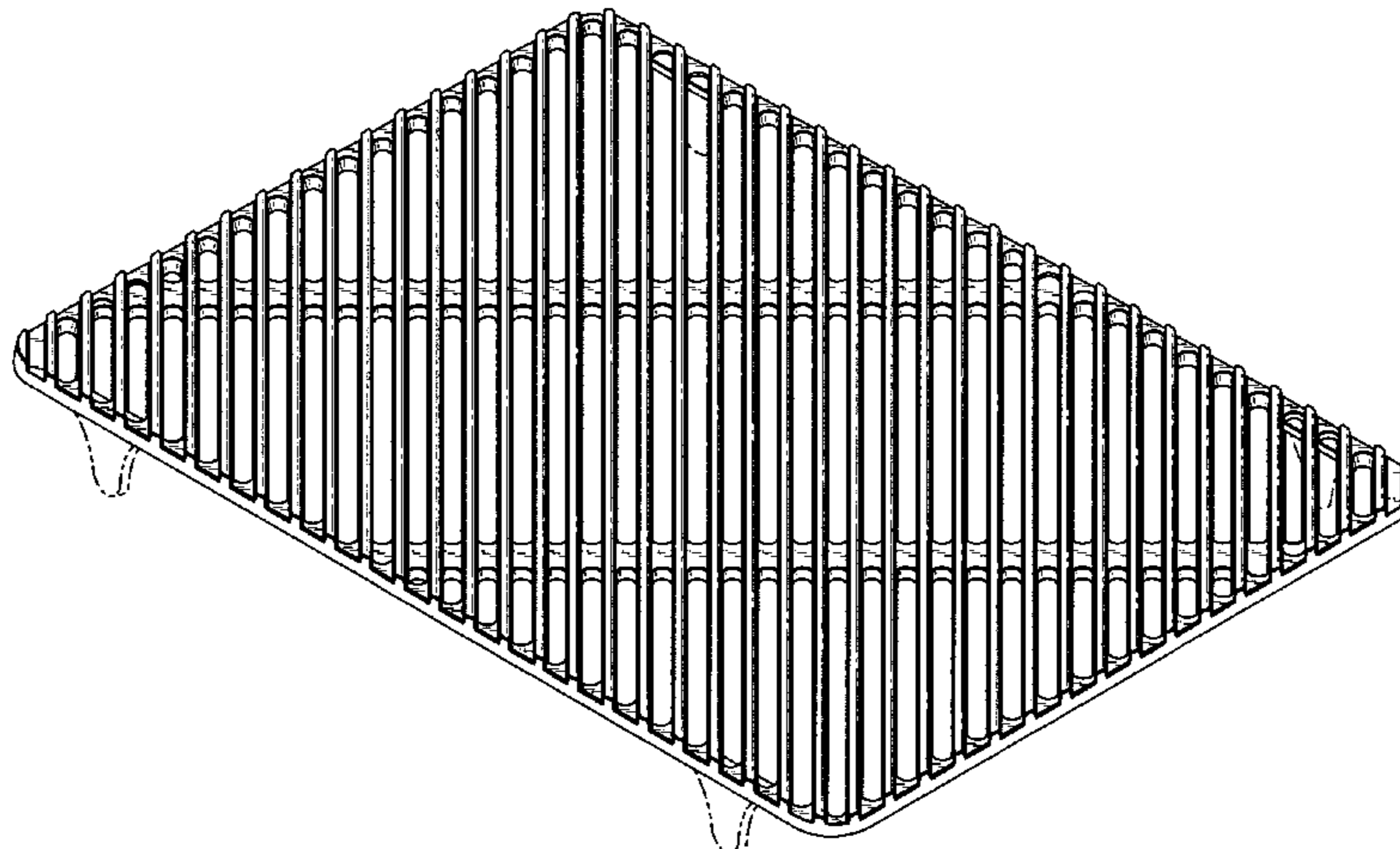
FIG. 2 is a top view of a rack, according to an embodiment of the invention.

FIG. 3 is a bottom view of a rack, according to an embodiment of the invention.

FIG. 4 is a front view of a rack, according to an embodiment of the invention; the rear view being identical thereto; and, FIG. 5 is a right view of a rack, according to an embodiment of the invention; the left view being identical thereto.

The broken lines shown in the drawings are for illustrative purposes only and form no part of the claimed design.

1 Claim, 4 Drawing Sheets



US D532,655 S

Page 2

U.S. PATENT DOCUMENTS

D377,579 S	*	1/1997	O'Brien et al.	D7/362	RE37,152 E	*	5/2001	O'Brien et al.	99/446
D380,342 S	*	7/1997	Edmonds	D7/363	6,362,458 B1		3/2002	Sargunam et al.	
D414,074 S	*	9/1999	Jalayer	D7/402	D473,098 S	*	4/2003	Wingeier	D7/359
D424,367 S	*	5/2000	Choi	D7/363	D519,781 S	*	5/2006	Carlson	D7/409
D433,875 S		11/2000	Schroeter						

* cited by examiner

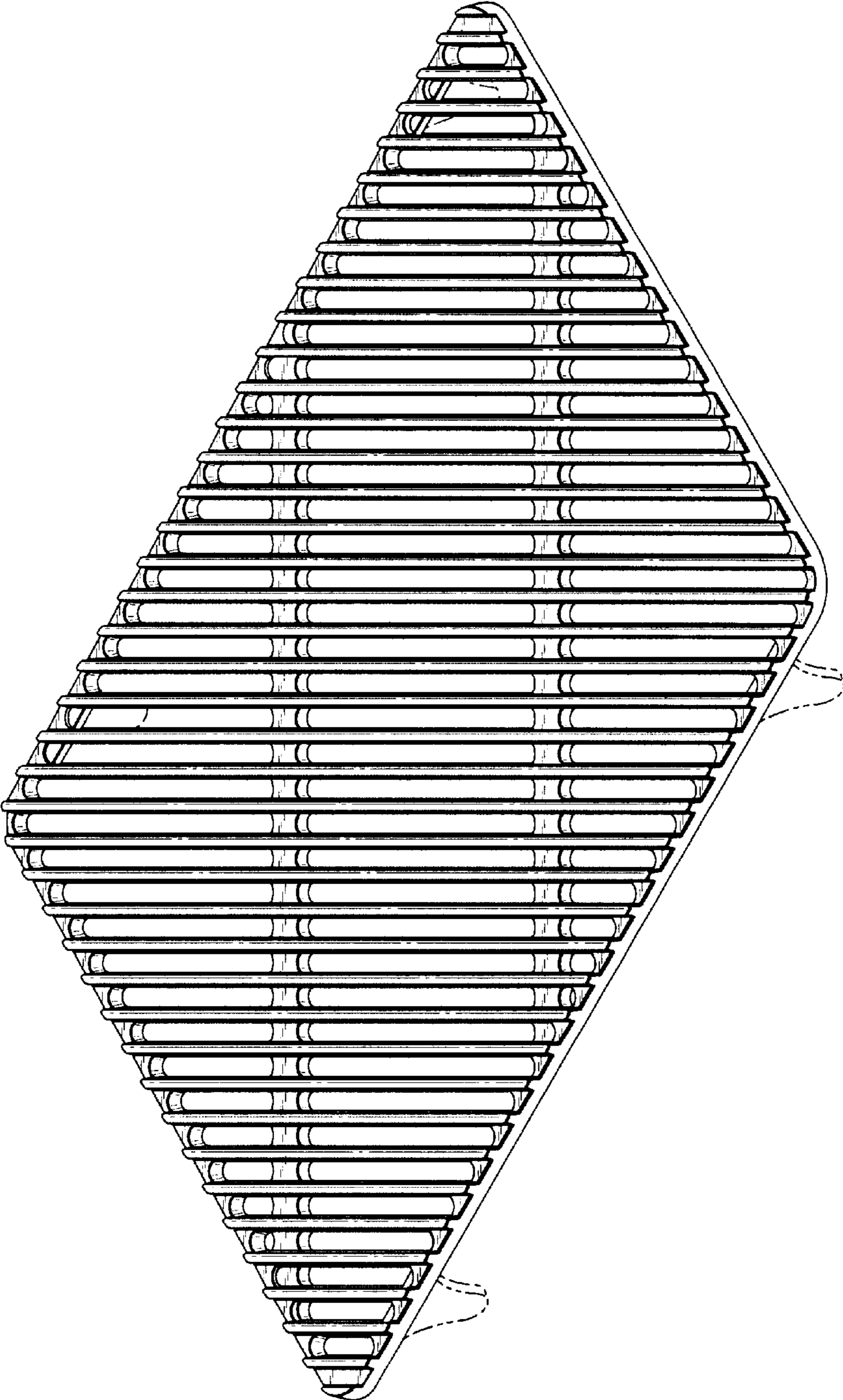


Fig. 1

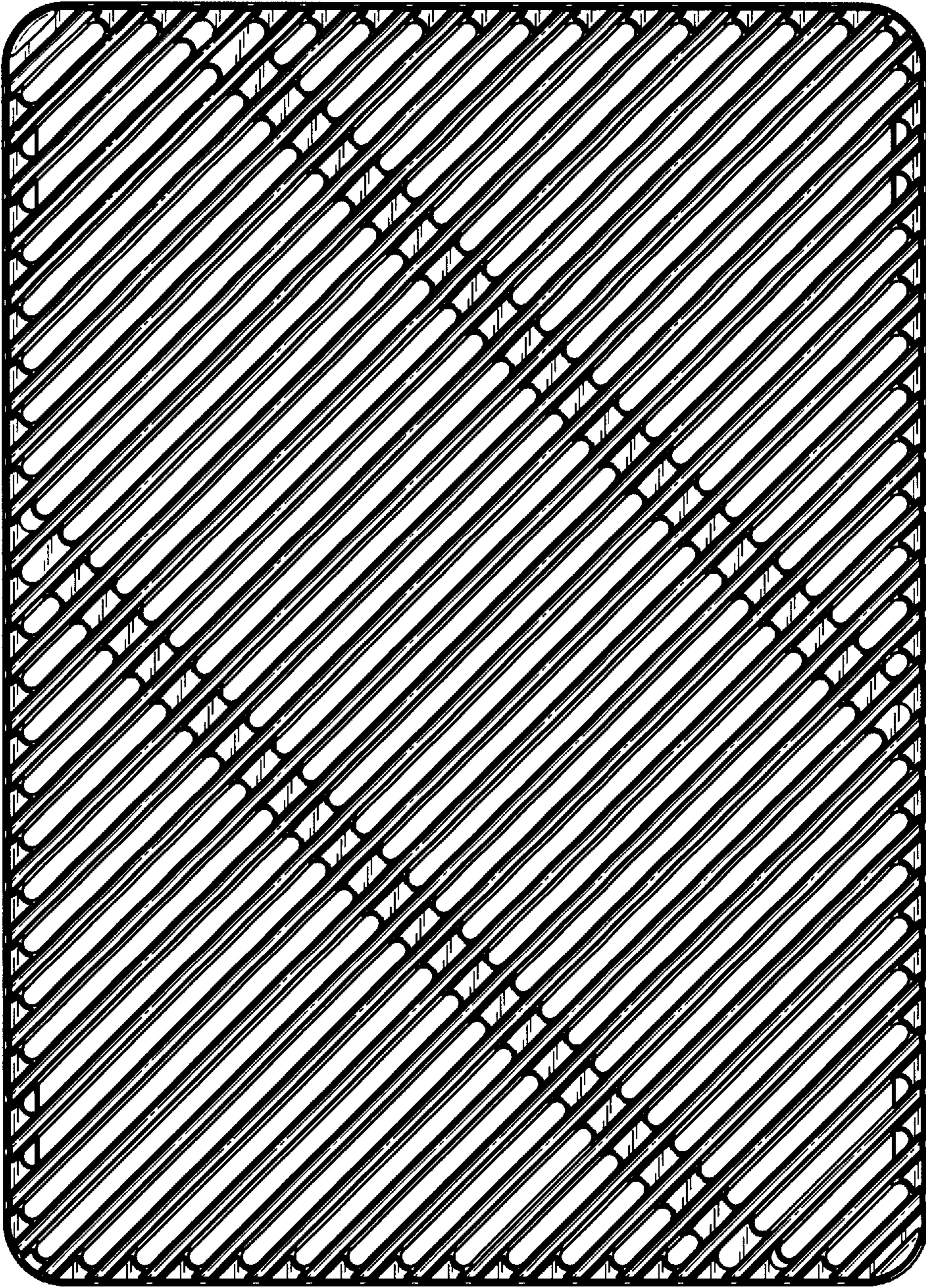


Fig. 2

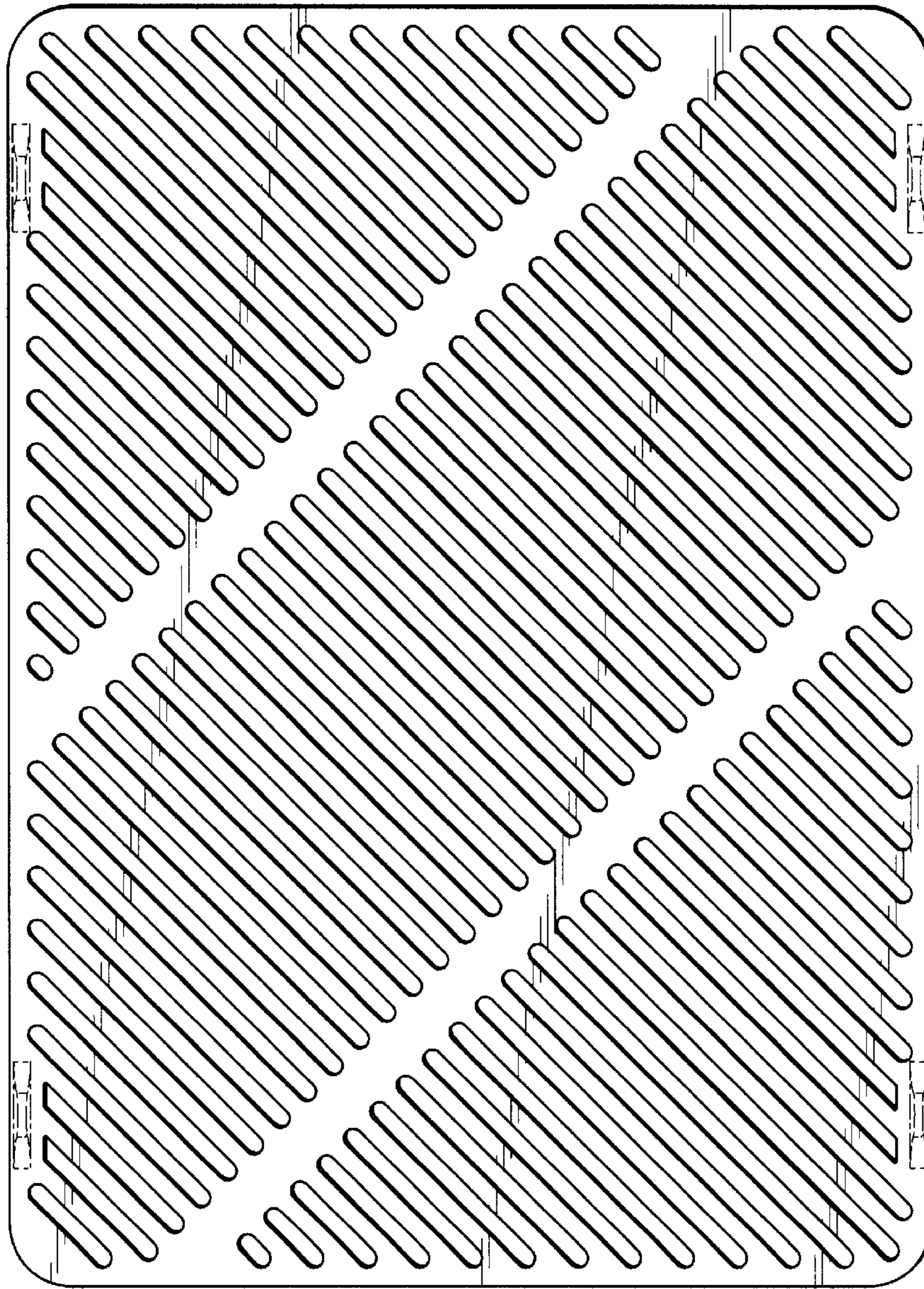


Fig. 3

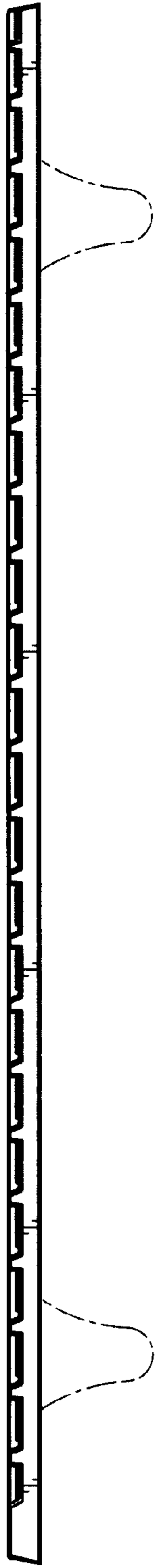


Fig. 4

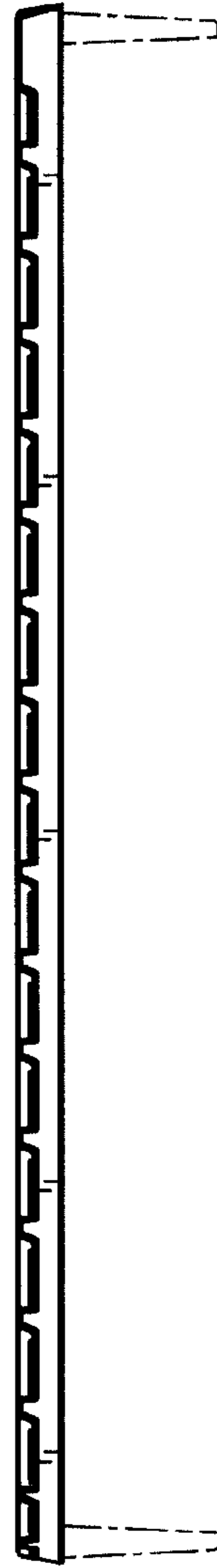


Fig. 5