



US00D532654S

(12) **United States Design Patent**  
**Raichlen et al.**

(10) **Patent No.:** **US D532,654 S**

(45) **Date of Patent:** **\*\* Nov. 28, 2006**

(54) **GRILL BASKET**

(75) Inventors: **Steven Raichlen**, Miami, FL (US);  
**Charles Adams**, Berkeley, CA (US)

(73) Assignee: **Charcoal Companion Incorporated**,  
Emeryville, CA (US)

(\*\*) Term: **14 Years**

(21) Appl. No.: **29/252,304**

(22) Filed: **Jan. 20, 2006**

(51) **LOC (8) Cl.** ..... **07-02**

(52) **U.S. Cl.** ..... **D7/409**

(58) **Field of Classification Search** ..... D7/323,  
D7/354-361, 409; 99/324, 402, 422, 427,  
99/421 A, 421 HH, 421 H, 421 R, 449, 450;  
211/85.4; 220/573.1, 485, 491-494, 752,  
220/759, 769, 912; 126/275 R; D6/462, 475;  
D23/398

See application file for complete search history.

(56) **References Cited**

**U.S. PATENT DOCUMENTS**

171,032 A	12/1875	Meyers	
2,048,769 A *	7/1936	Anderson	126/25 R
2,983,218 A *	5/1961	Persinger et al.	99/427
3,188,939 A *	6/1965	Smith	99/393
3,604,408 A *	9/1971	Tescula	126/25 R
4,625,634 A *	12/1986	Kruper	99/427
5,048,882 A	9/1991	Fielding et al.	
5,307,797 A *	5/1994	Kleefeld	126/30
5,325,767 A *	7/1994	Beller	99/421 R
5,353,694 A *	10/1994	Fins	99/393

D416,165 S *	11/1999	Zemel	D7/359
6,173,645 B1 *	1/2001	Backus et al.	99/427
6,196,116 B1 *	3/2001	O'Grady et al.	99/340
D444,340 S *	7/2001	Wang	D7/323
6,526,876 B1 *	3/2003	Kahler et al.	99/394

**OTHER PUBLICATIONS**

Crate & Barrel Best Buys Summer 2001 Item A, Grill Basket.\*

\* cited by examiner

*Primary Examiner*—Cathron C. Brooks

*Assistant Examiner*—Ricky Pham

(74) *Attorney, Agent, or Firm*—Donald L. Beeson; Beeson Skinner Beverly, LLP

(57) **CLAIM**

The ornamental design for a grill basket, as shown and described.

**DESCRIPTION**

FIG. 1 is a top perspective view of a grill basket showing our new design;

FIG. 2 is a left side elevational view thereof; the right side being a mirror image;

FIG. 3 is a rear elevational view thereof;

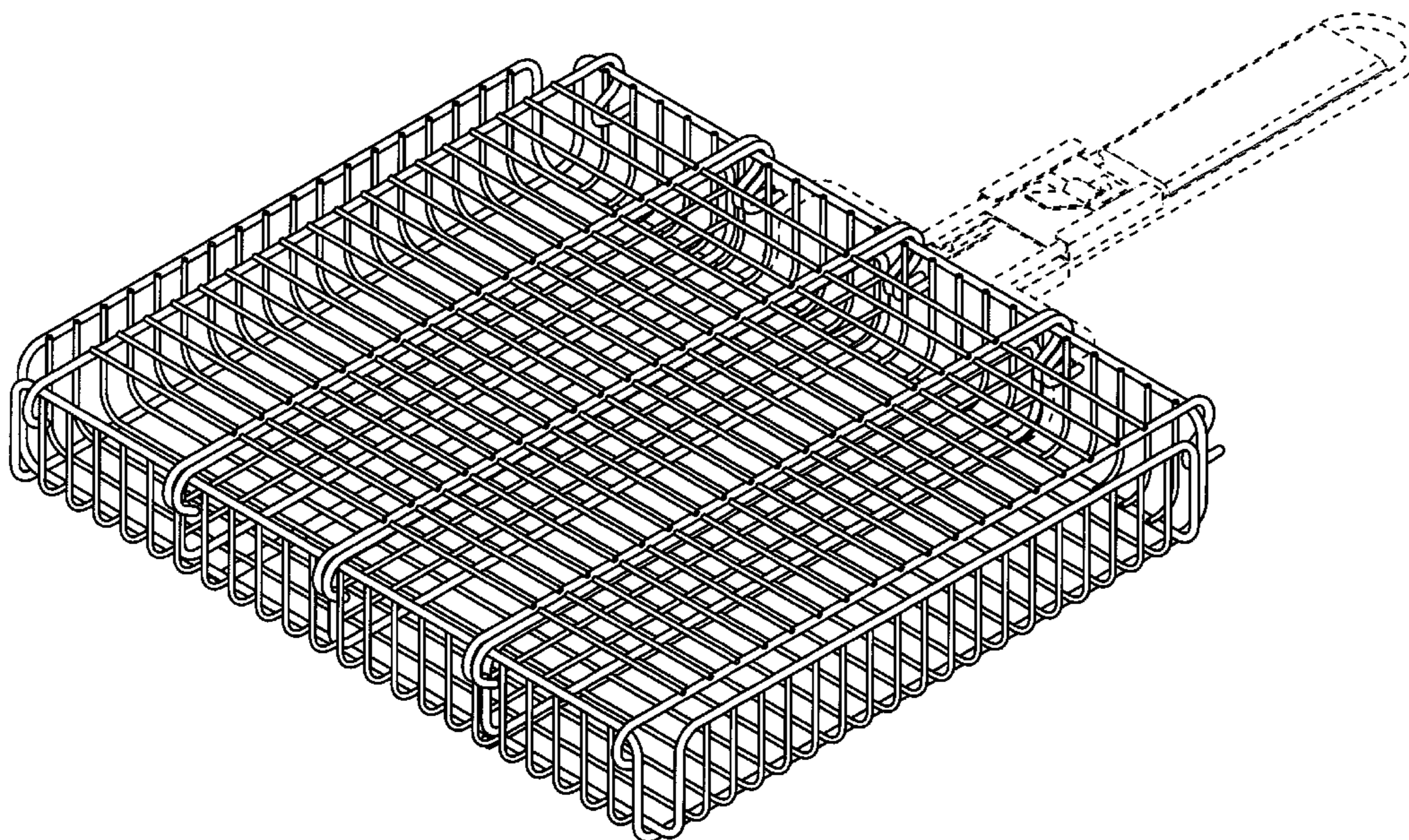
FIG. 4 is a front elevational view thereof;

FIG. 5 is a top plan view thereof; and,

FIG. 6 is a bottom plan view thereof.

The broken lines shown in FIGS. 1, 2, 5 and 6 are for illustrative purposes only and form no part of the claimed design.

**1 Claim, 4 Drawing Sheets**



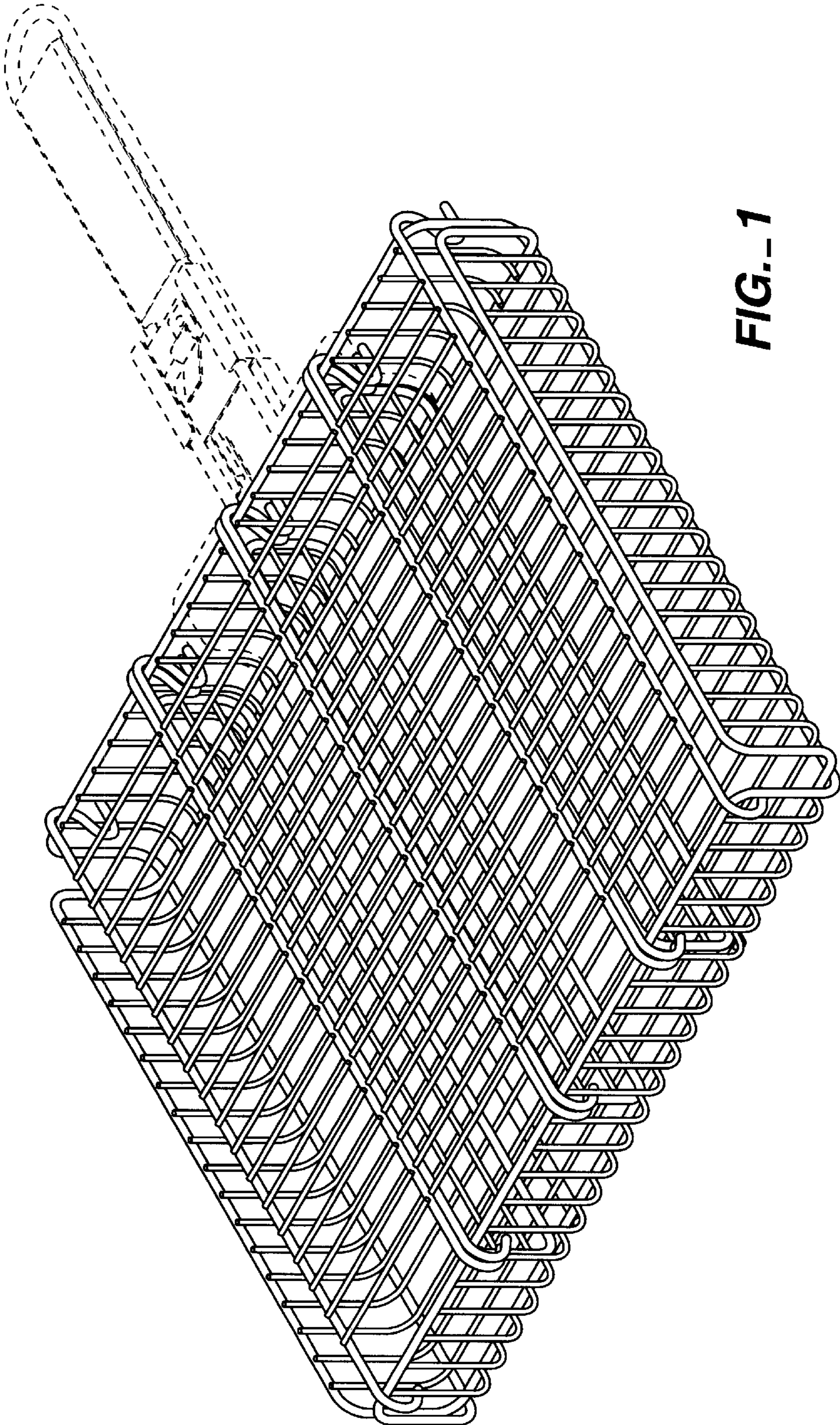
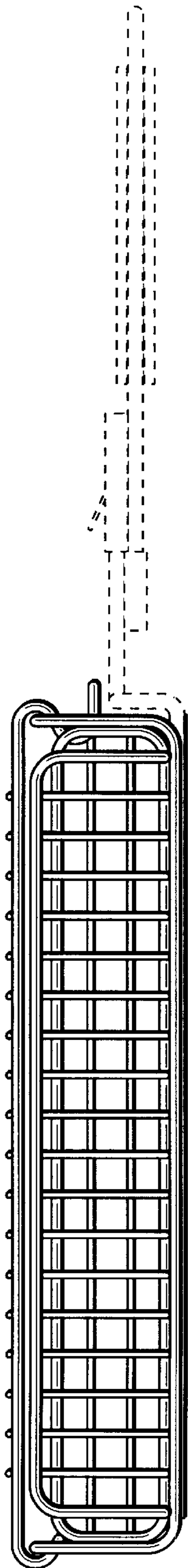
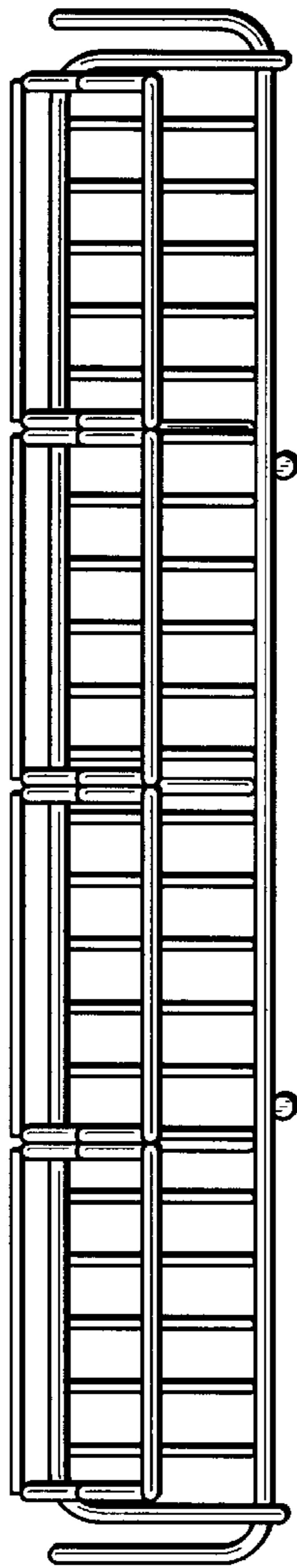


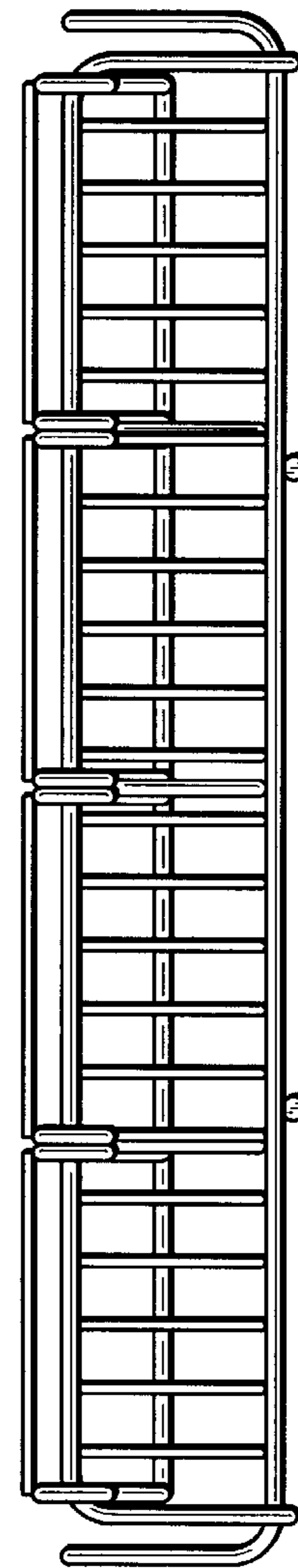
FIG.-1



**FIG. 2**



**FIG. 3**



**FIG. 4**

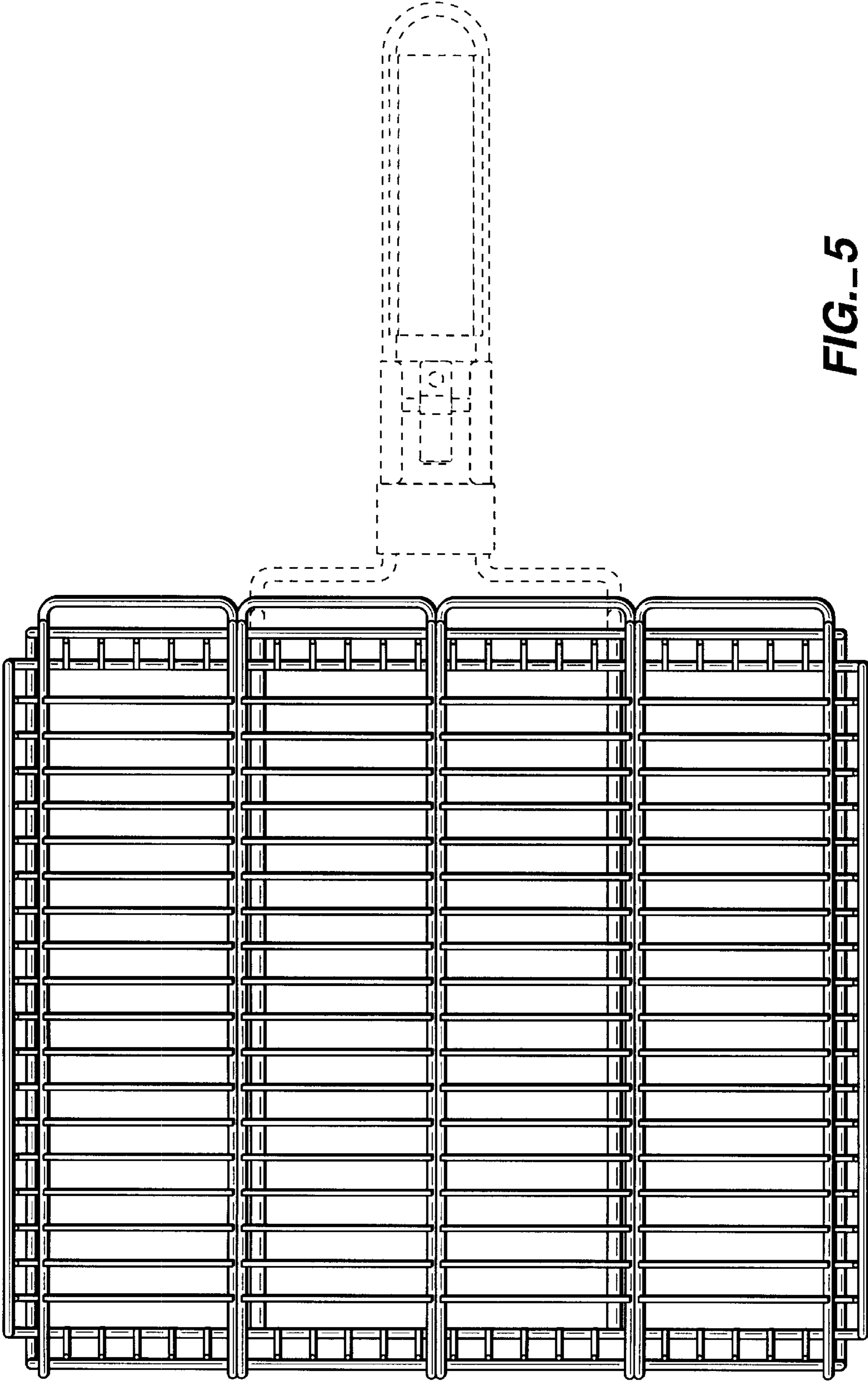


FIG. 5

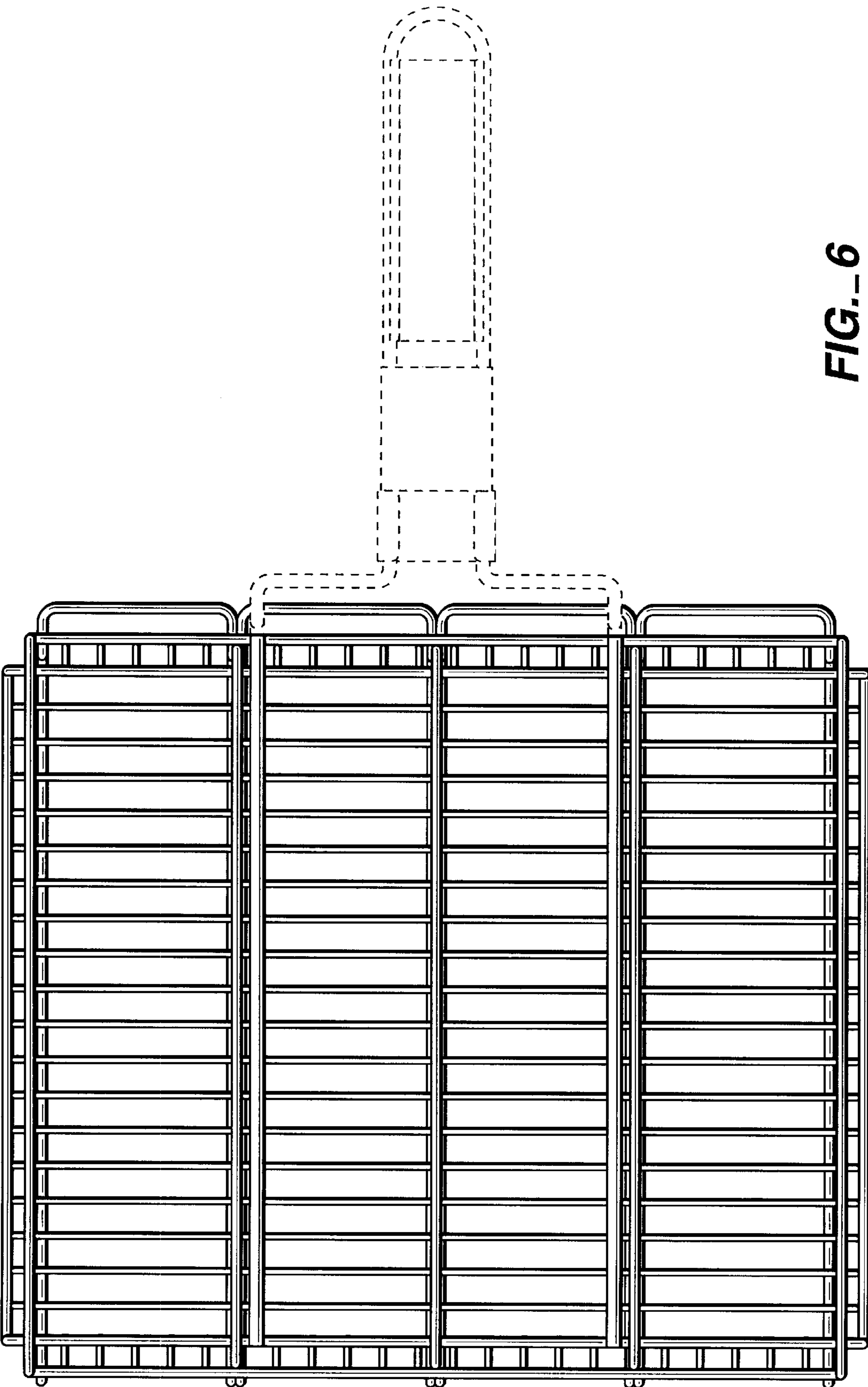


FIG. 6