



US00D532653S

(12) **United States Design Patent**
Molayem

(10) **Patent No.:** **US D532,653 S**

(45) **Date of Patent:** **** Nov. 28, 2006**

(54) **ROASTING RACK**

(75) **Inventor:** **Daryoosh Molayem**, Beverly Hills, CA (US)

(73) **Assignee:** **Tabletops Unlimited, Inc.**, Carson, CA (US)

(**) **Term:** **14 Years**

(21) **Appl. No.:** **29/232,365**

(22) **Filed:** **Jun. 16, 2005**

(51) **LOC (8) Cl.** **07-02**

(52) **U.S. Cl.** **D7/409**

(58) **Field of Classification Search** D7/323,
D7/354-361, 409; 99/324, 402, 422, 427,
99/421 A, 421 HH, 421 H, 421 R, 449, 450;
211/85.4; 220/573.1, 485, 491-494, 752,
220/759, 769, 912; 126/275 R; D6/462, 475;
D23/398

See application file for complete search history.

(56) **References Cited**

U.S. PATENT DOCUMENTS

| | | | | | |
|-------------|---|---------|-------------------|-------|--------|
| D131,059 S | * | 1/1942 | Lynch | | D7/409 |
| 3,585,922 A | * | 6/1971 | Peterson et al. | | 99/355 |
| D242,516 S | * | 11/1976 | Burns, Sr. et al. | | D7/409 |
| 4,005,646 A | * | 2/1977 | Kruper | | 99/427 |
| D260,227 S | * | 8/1981 | Bentson | | D7/409 |
| 4,848,217 A | * | 7/1989 | Koziol | | 99/426 |

| | | | | | |
|-----------------|---|---------|-----------------|-------|--------|
| D308,317 S | * | 6/1990 | Koziol | | D7/409 |
| D359,880 S | * | 7/1995 | Fielding et al. | | D7/409 |
| D364,994 S | * | 12/1995 | Tiemann | | D7/409 |
| 5,503,062 A | * | 4/1996 | Buff, IV | | 99/426 |
| D479,435 S | * | 9/2003 | Siegel et al. | | D7/409 |
| 6,668,708 B1 | * | 12/2003 | Swinford et al. | | 99/426 |
| 2006/0130673 A1 | * | 6/2006 | Kaliveh et al. | | 99/450 |

* cited by examiner

Primary Examiner—Cathron C. Brooks

Assistant Examiner—Ricky Pham

(74) *Attorney, Agent, or Firm*—Blakely, Sokoloff, Taylor & Zafman LLP

(57) **CLAIM**

The ornamental design for a roasting rack, as shown and described.

DESCRIPTION

FIG. 1 is an end perspective view of an embodiment of the roasting rack showing my new design.

FIG. 2 is a top view of an embodiment of the roasting rack.

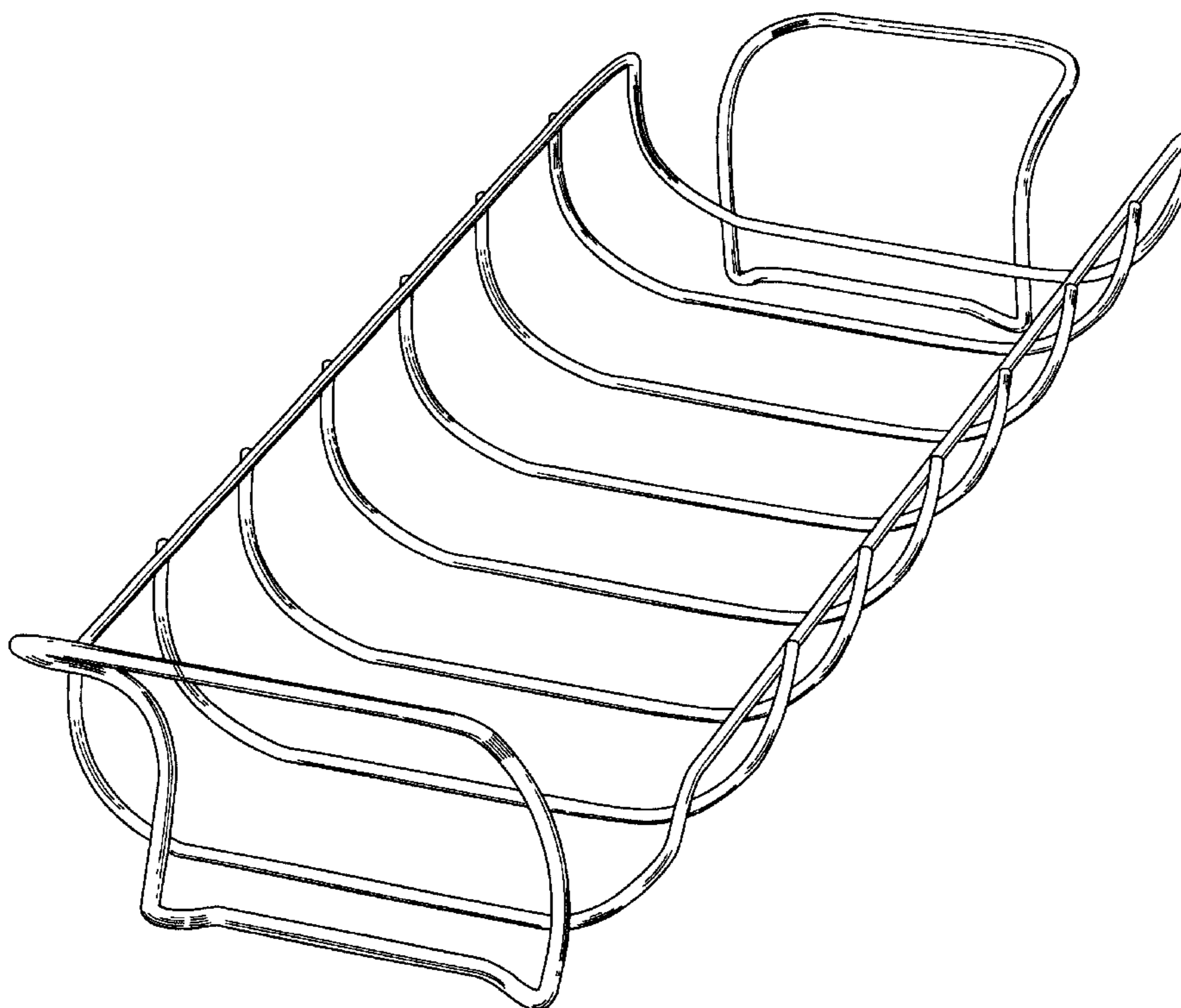
FIG. 3 is a bottom view of an embodiment of the roasting rack.

FIG. 4 is an end view of an embodiment of the roasting rack.

FIG. 5 is a side view of an embodiment of the roasting rack; and,

FIG. 6 is a side perspective view of an embodiment of the roasting rack.

1 Claim, 5 Drawing Sheets



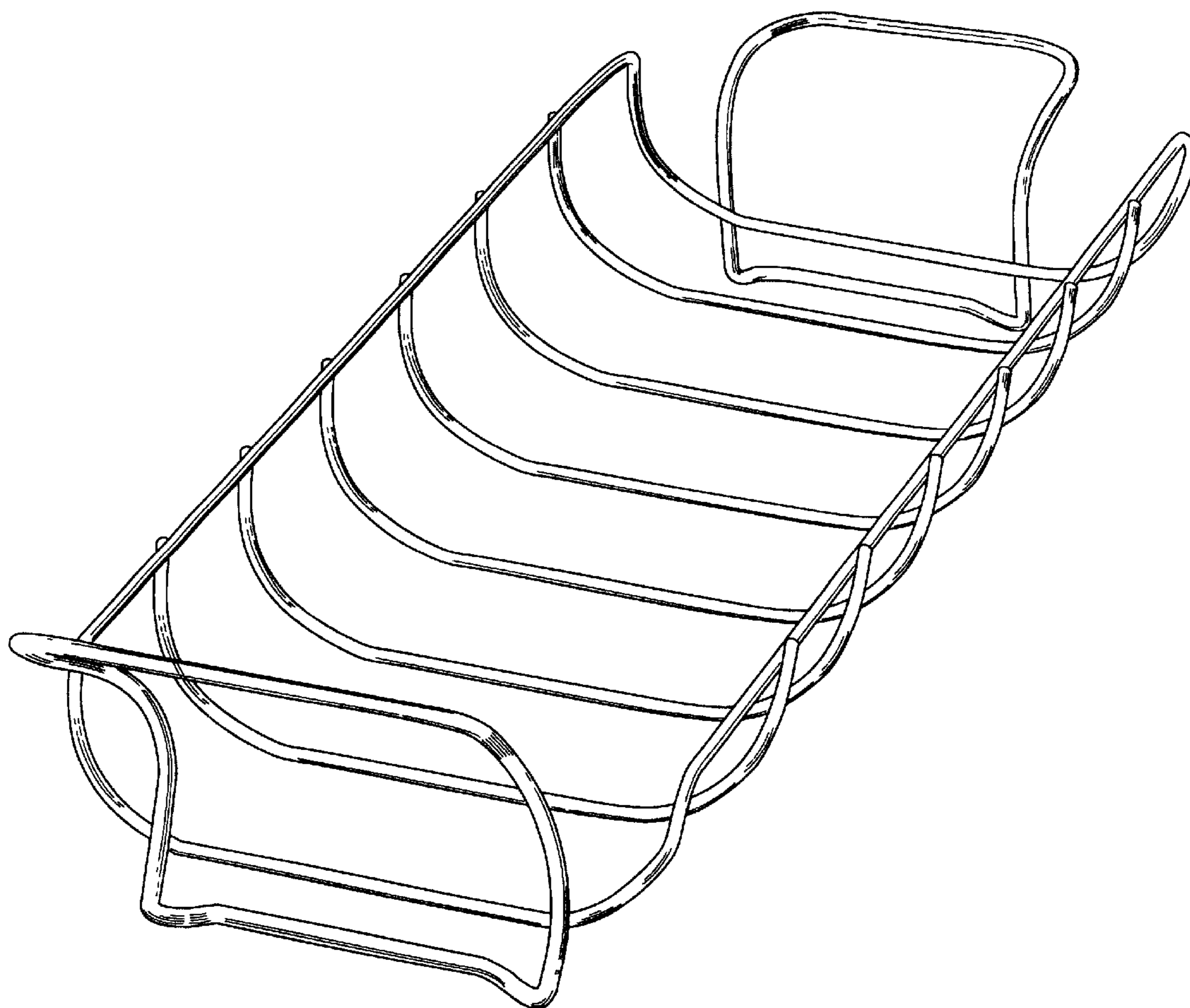


FIG. 1

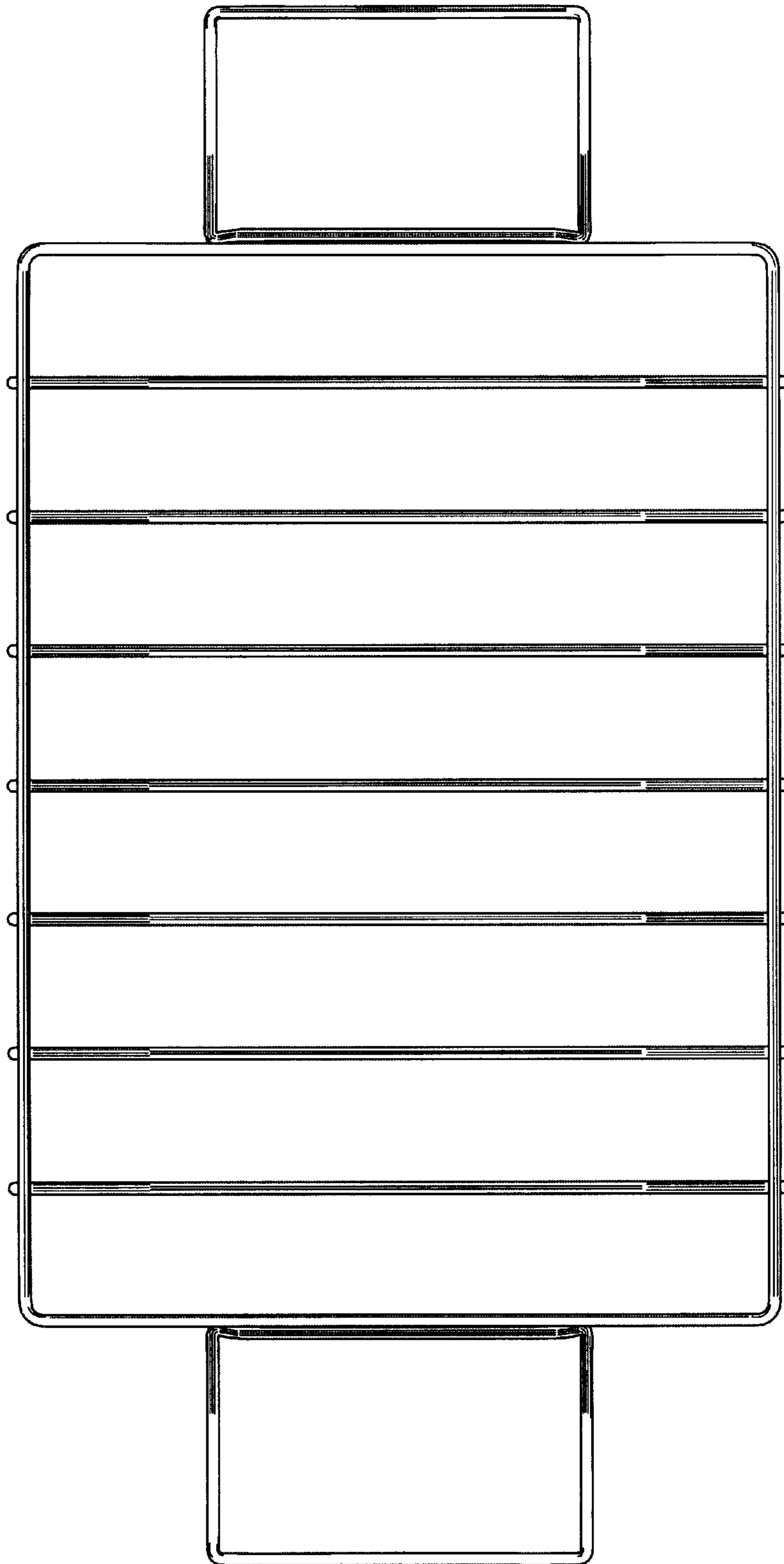


FIG. 2

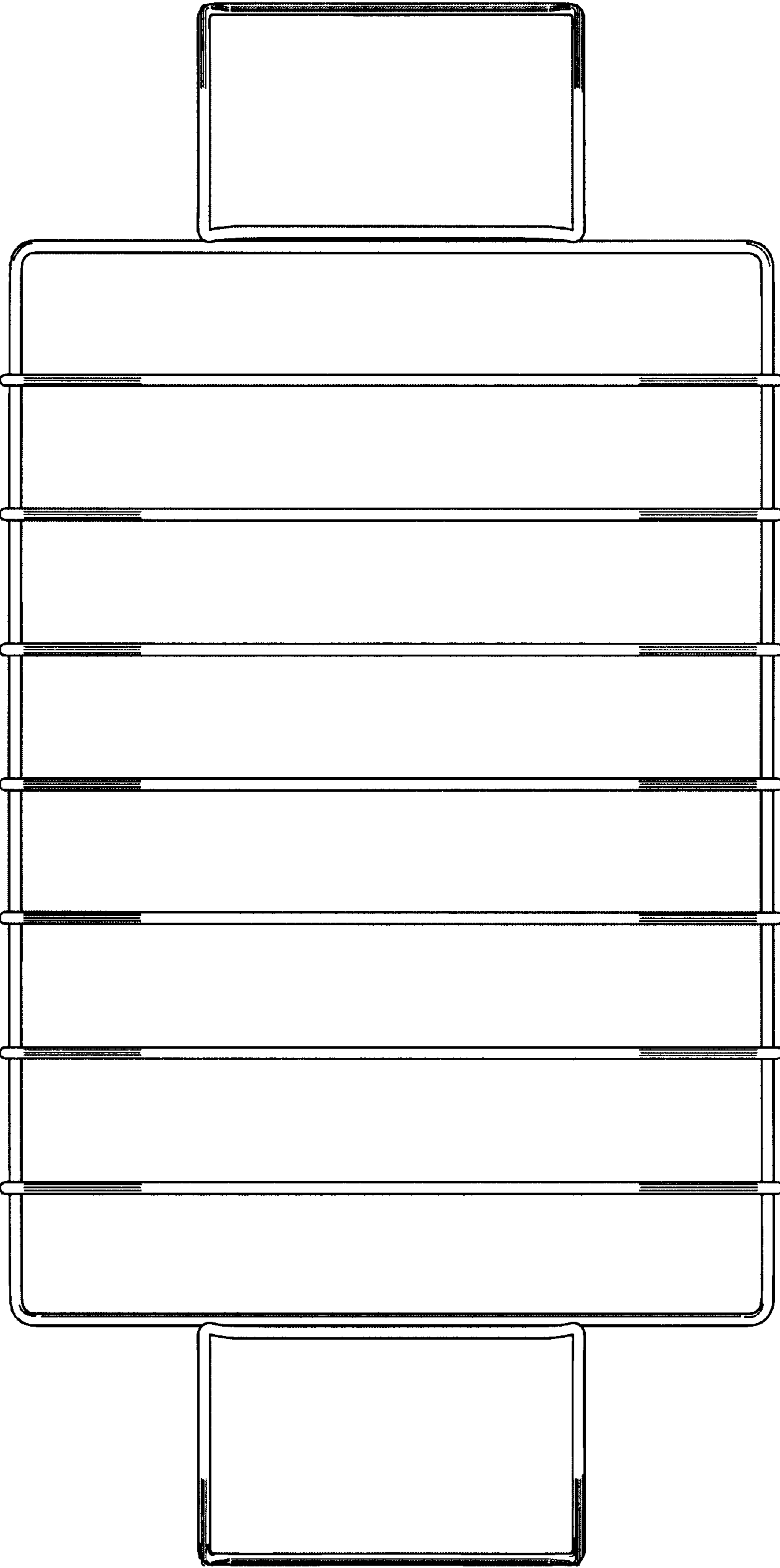


FIG. 3

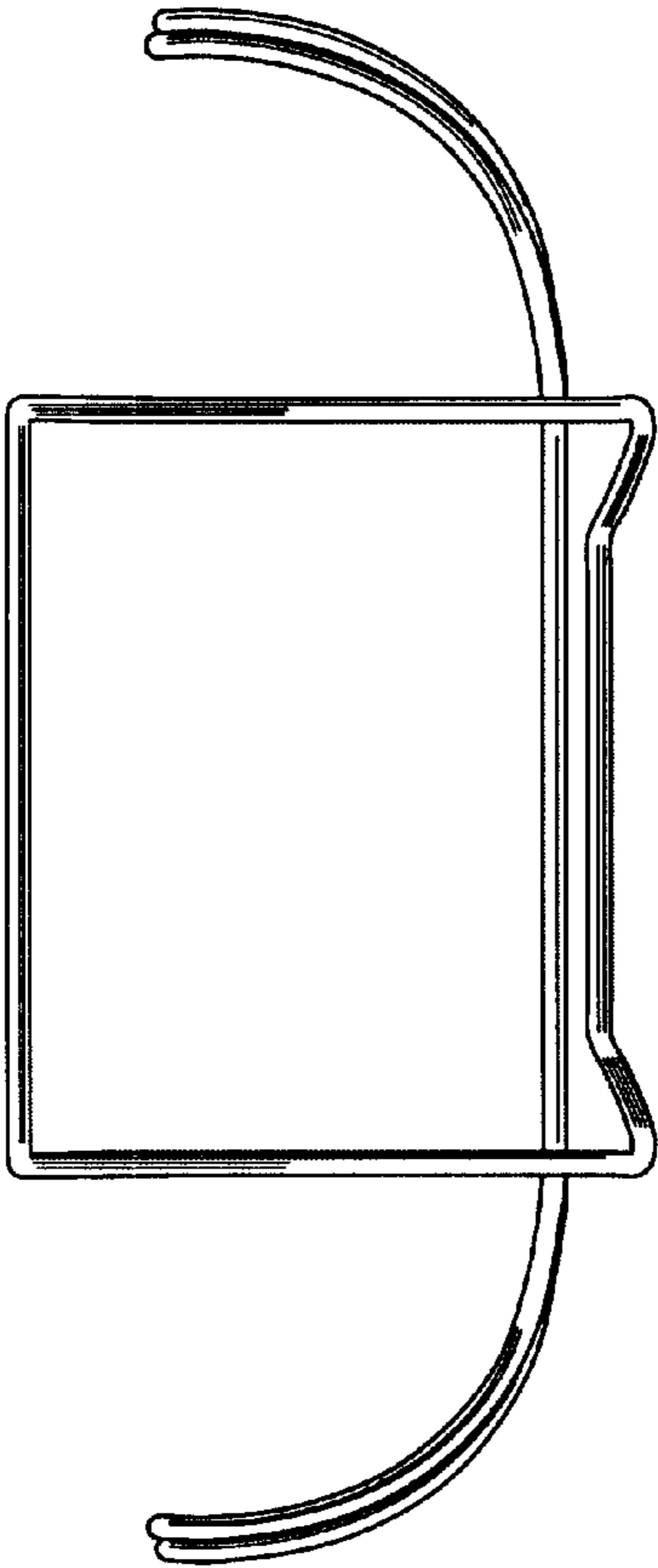


FIG. 4

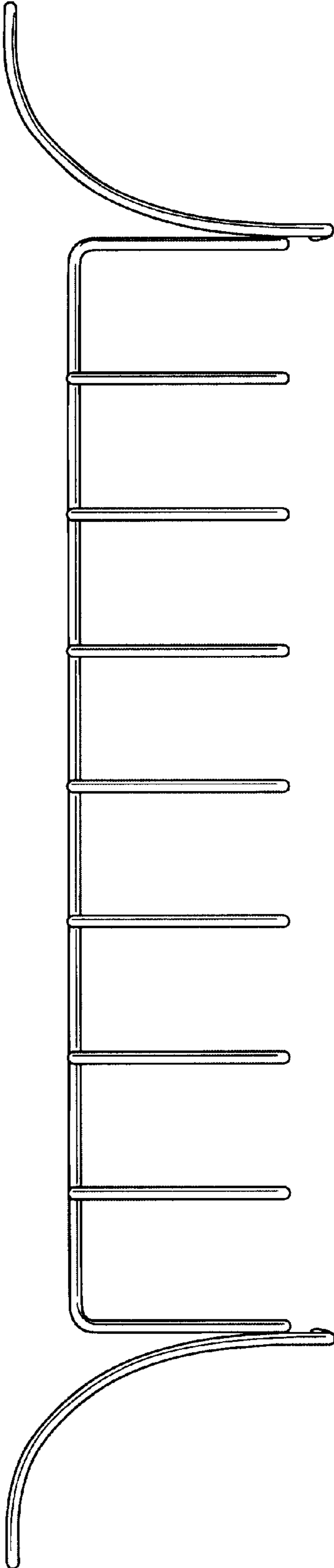


FIG. 5

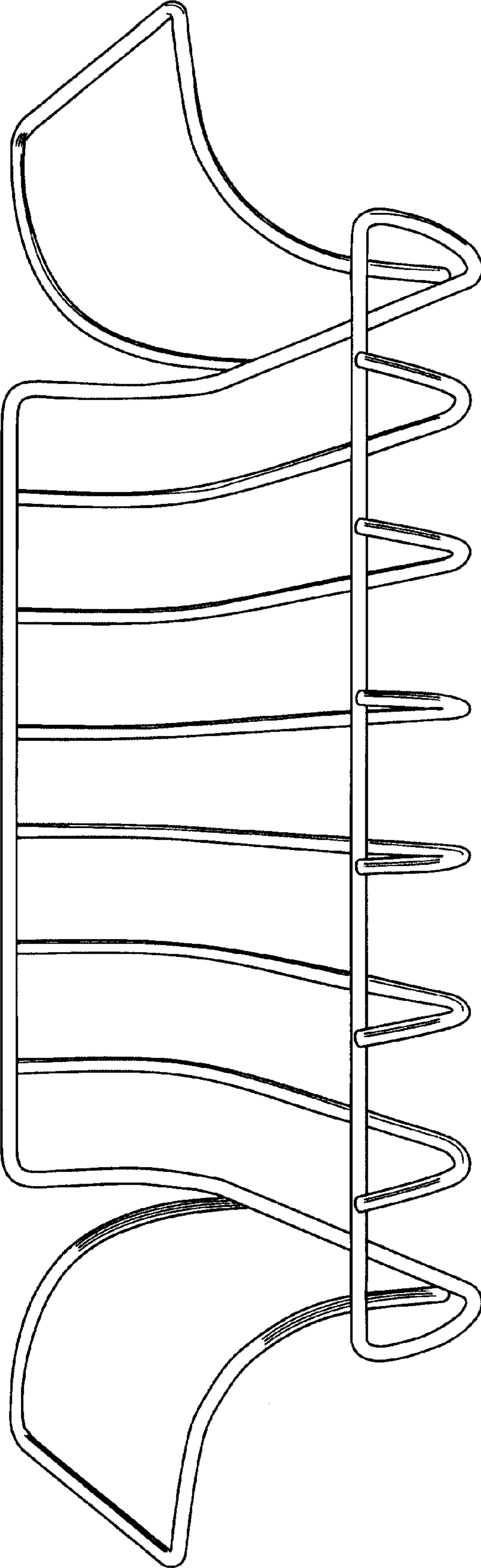


FIG. 6