



US00D532650S

(12) **United States Design Patent**
de Groote

(10) **Patent No.:** **US D532,650 S**

(45) **Date of Patent:** **** Nov. 28, 2006**

(54) **FOOD SHAKER COVER**

(75) Inventor: **Jan-Hendrik de Groote**, Brussels (BE)

(73) Assignee: **Dart Industries Inc.**, Orlando, FL (US)

(**) Term: **14 Years**

(21) Appl. No.: **29/245,172**

(22) Filed: **Dec. 20, 2005**

(51) **LOC (8) Cl.** **07-02**

(52) **U.S. Cl.** **D7/392**

(58) **Field of Classification Search** D7/317,
D7/392, 392.1, 396.2, 510, 511, 538, 629;
D9/435, 440, 447, 449, 454, 503, 504; 215/211,
215/200, 224; 220/700, 701, 703, 719; 222/544,
222/545

See application file for complete search history.

(56) **References Cited**

U.S. PATENT DOCUMENTS

3,297,208	A	*	1/1967	Swett	222/111
3,419,198	A	*	12/1968	Petterson	222/541.2
3,820,692	A		6/1974	Swett et al.		
D233,116	S		10/1974	Swett et al.		
D374,147	S		10/1996	Lillelund et al.		
D397,613	S	*	9/1998	Haley	D9/448
D409,043	S		5/1999	Lillelund et al.		
D412,640	S	*	8/1999	Much	D7/392

D421,547	S		3/2000	Demers		
D425,362	S	*	5/2000	Meyers et al.	D7/392
D476,892	S	*	7/2003	Martin et al.	D9/449
D480,641	S	*	10/2003	Hurlbut et al.	D9/447
D482,936	S	*	12/2003	Miller et al.	D7/629

OTHER PUBLICATIONS

Rubbermaid; Elegan MixerMate Shaker; © 2004.

* cited by examiner

Primary Examiner—Holly H. Baynham

Assistant Examiner—Cynthia M. Chin

(74) *Attorney, Agent, or Firm*—John A. Doninger

(57) **CLAIM**

The ornamental design for a food shaker cover, as shown and described.

DESCRIPTION

FIG. 1 is a top, right side and front perspective view of a food shaker showing my new design;

FIG. 2 is a front elevation view; the rear elevation being a mirror image thereof;

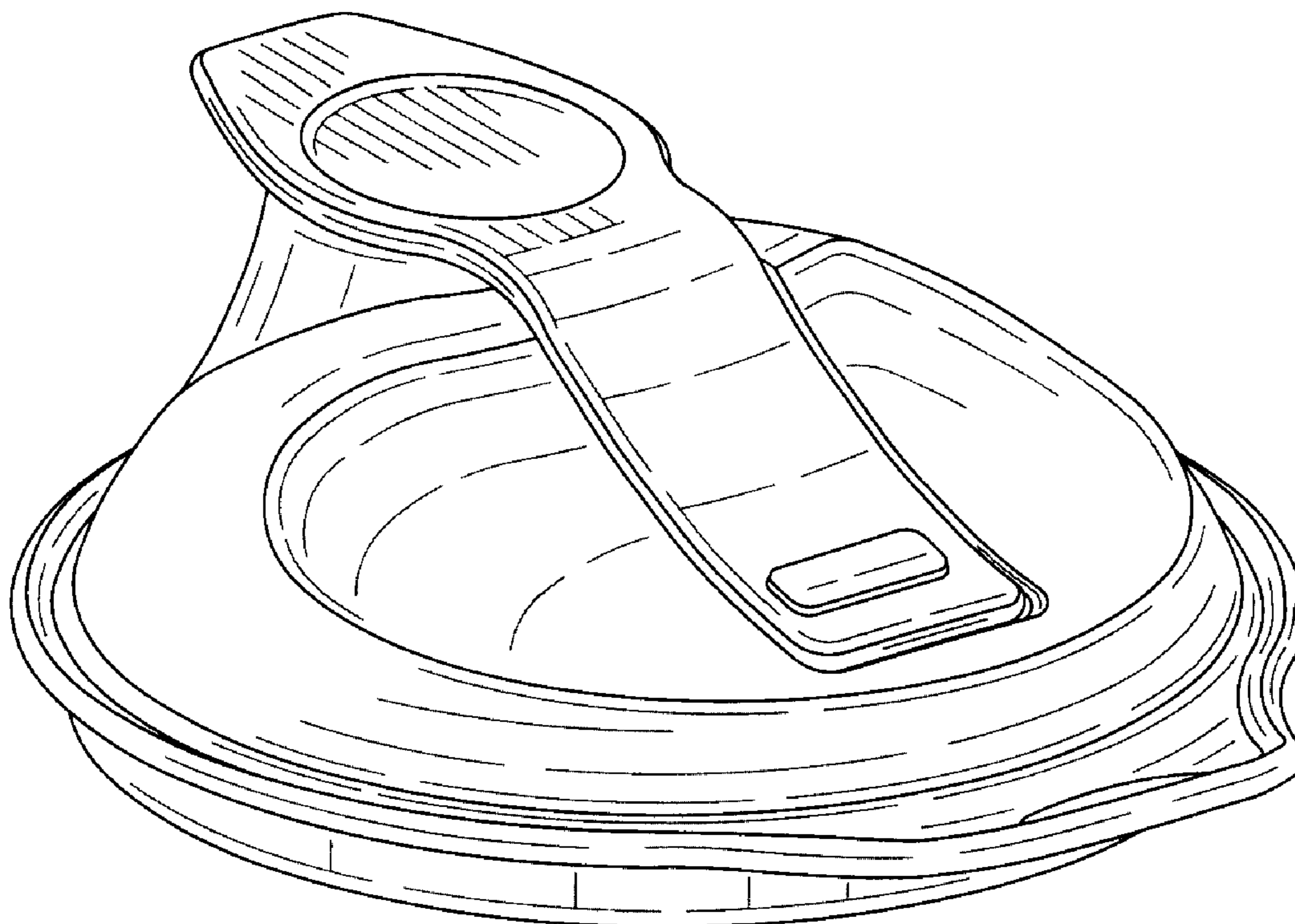
FIG. 3 is a right side elevation view thereof;

FIG. 4 is a left side elevation view thereof;

FIG. 5 is an enlarged top plan view thereof; and,

FIG. 6 is an enlarged bottom plan view thereof.

1 Claim, 3 Drawing Sheets



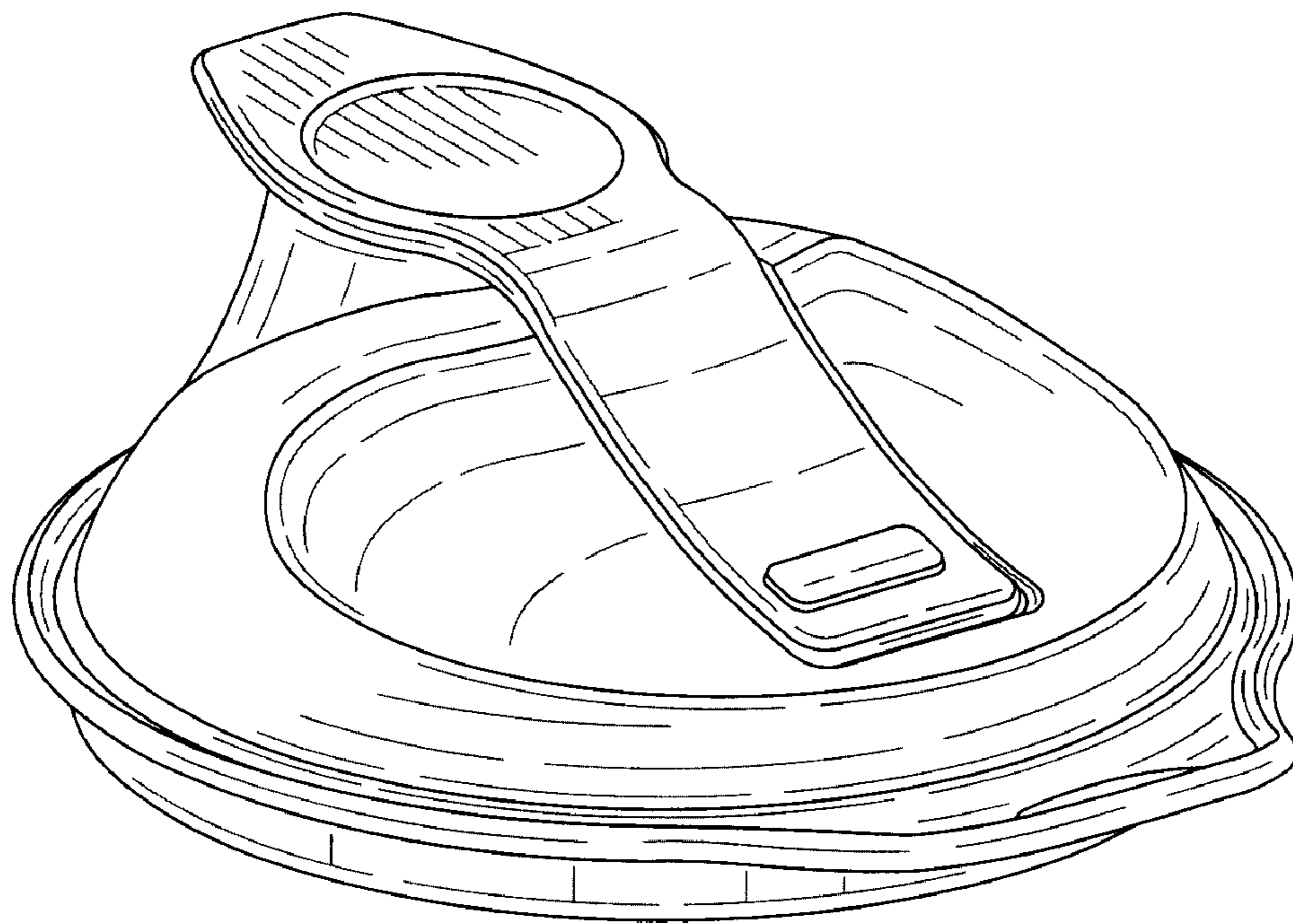


FIG. 1

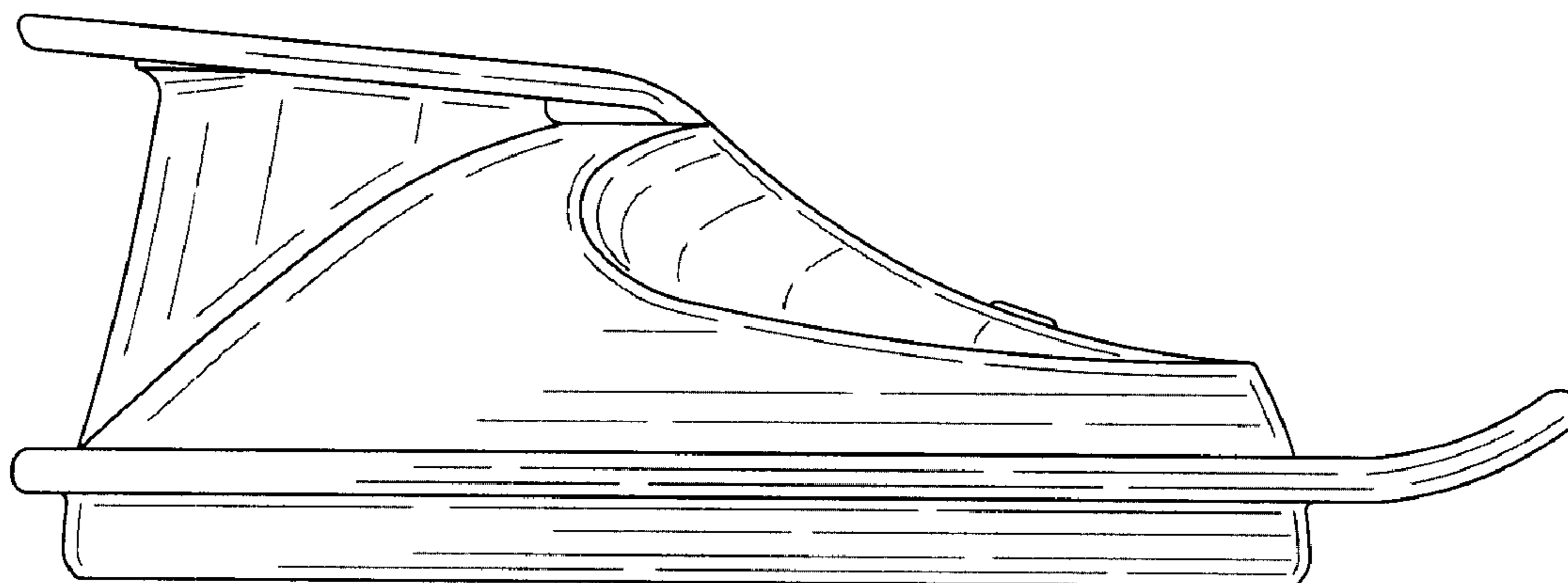


FIG. 2

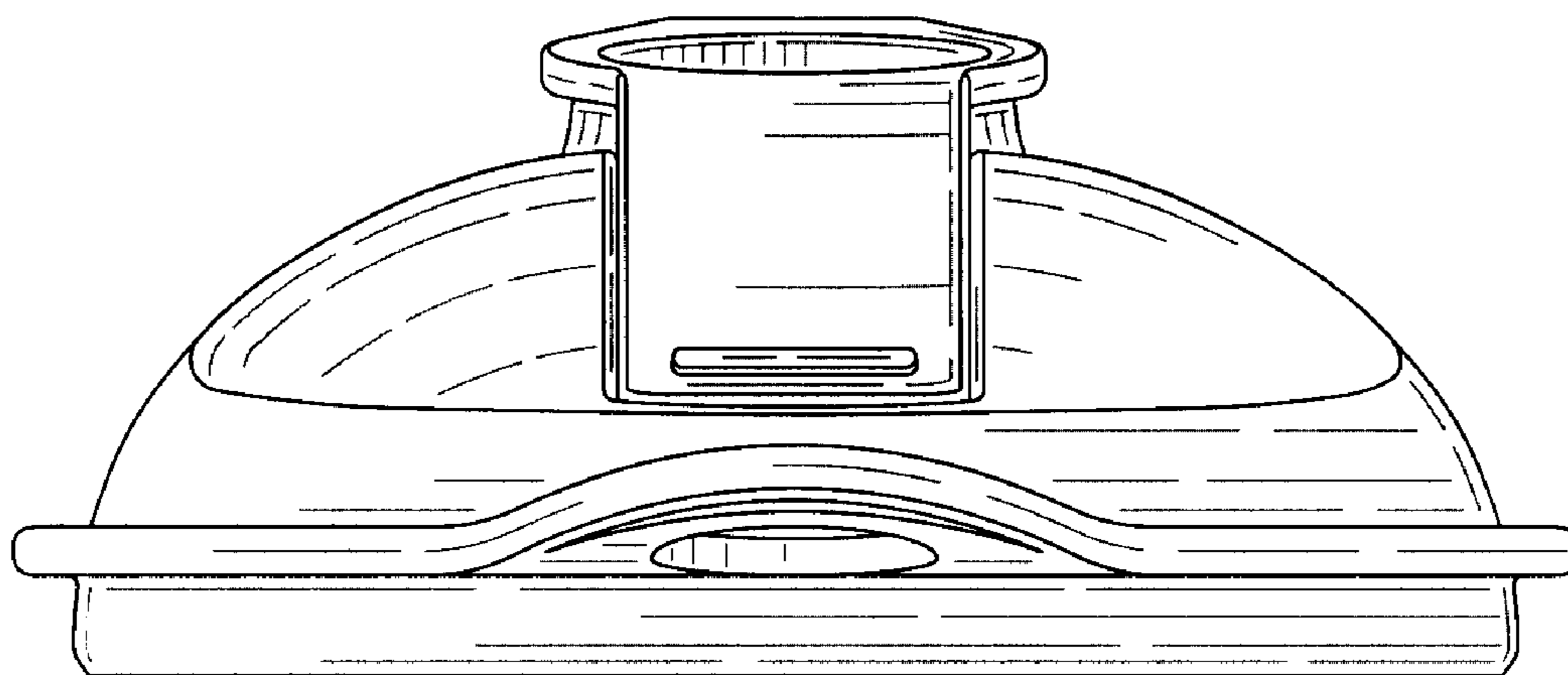


FIG. 3

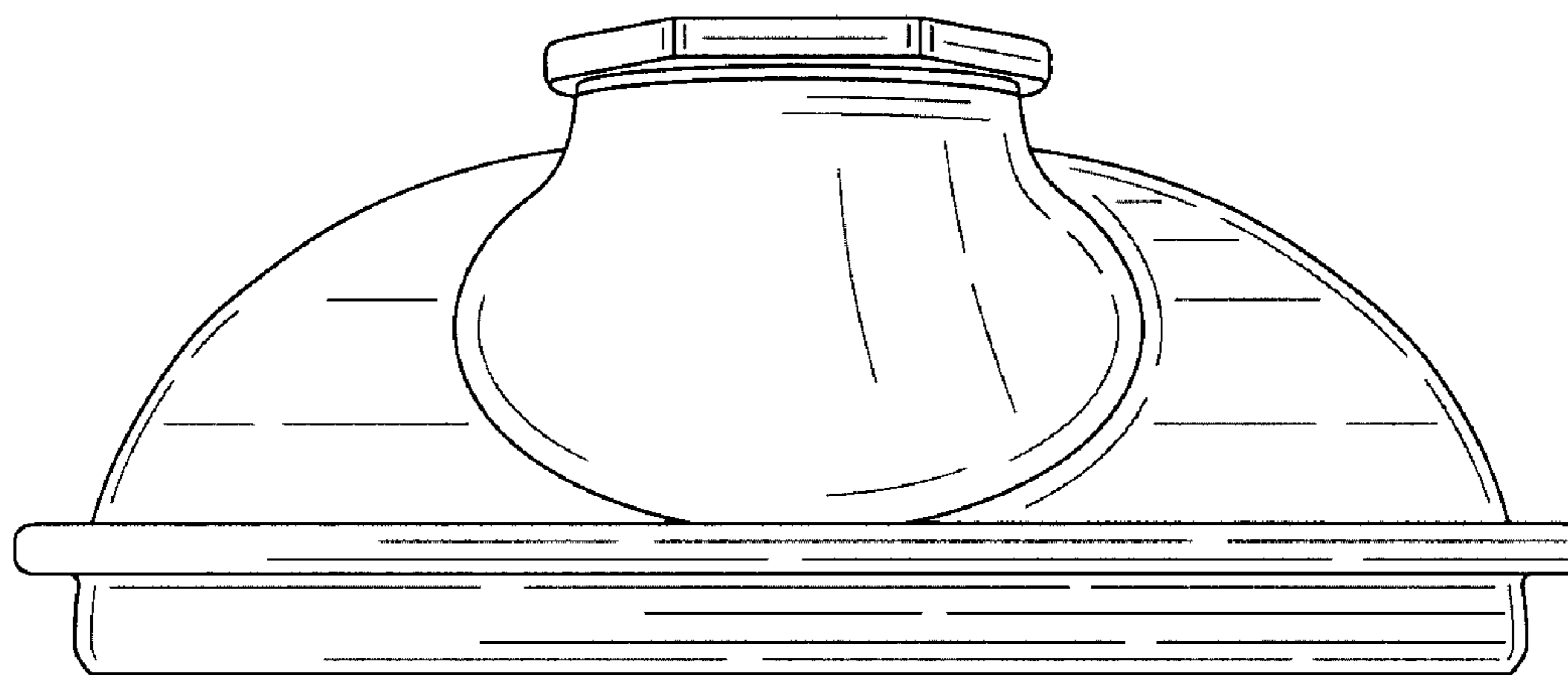


FIG. 4

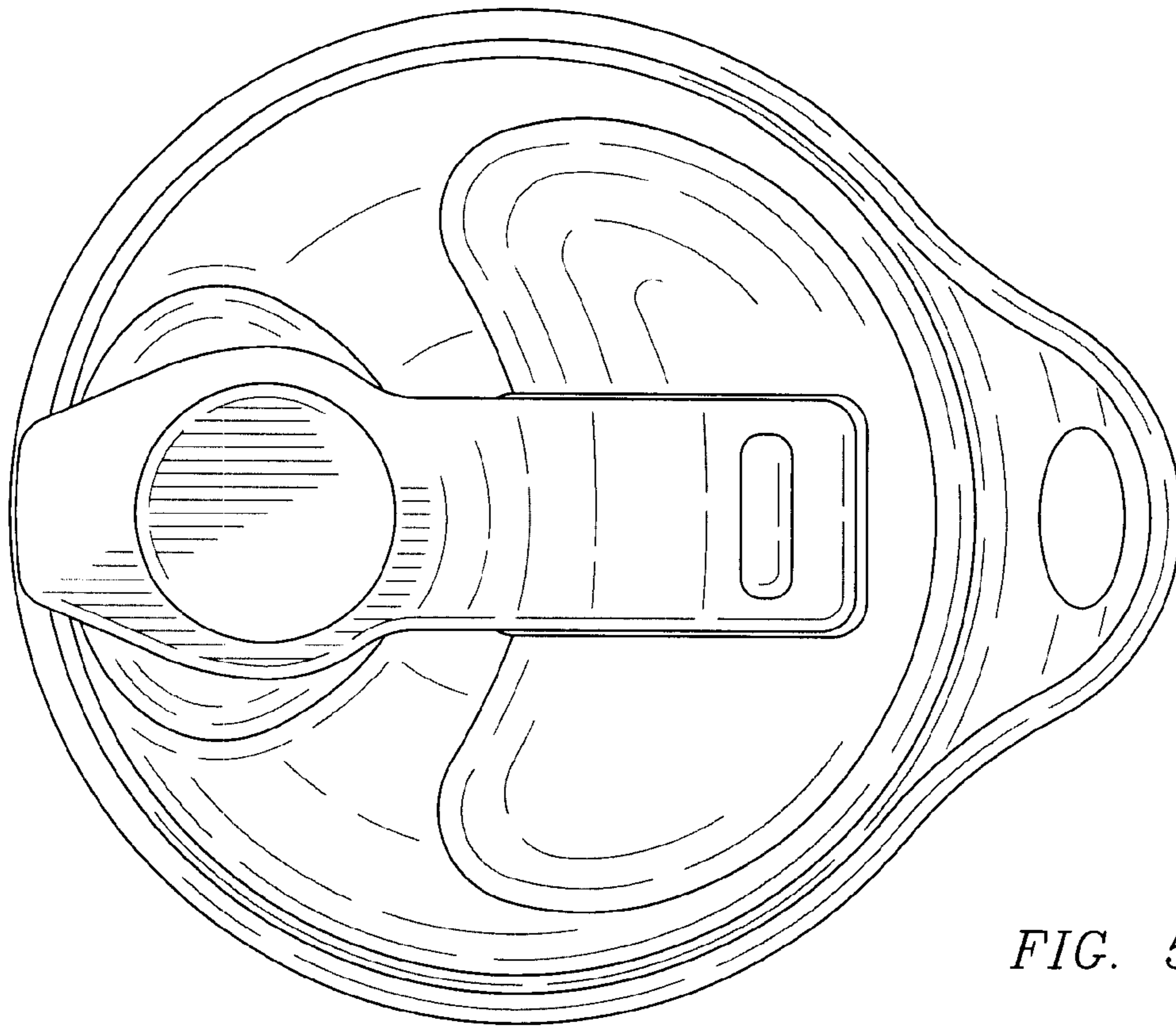


FIG. 5

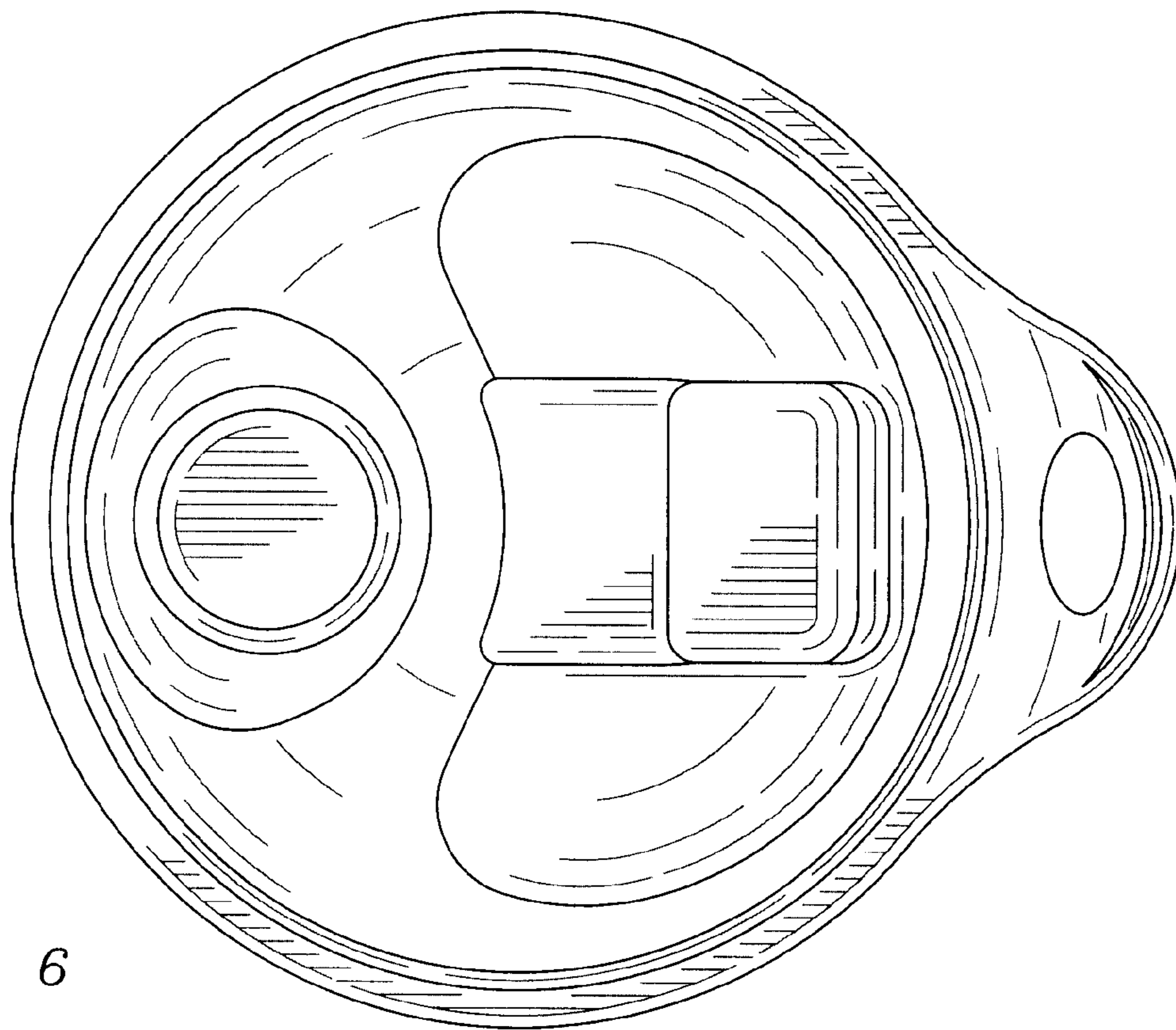


FIG. 6