



US00D532648S

(12) **United States Design Patent** (10) **Patent No.:** **US D532,648 S**
Sands (45) **Date of Patent:** **** Nov. 28, 2006**

(54) **PORTABLE BLENDER**
(75) Inventor: **Lenny Sands**, Encino, CA (US)
(73) Assignee: **Homeland Housewares, LLC**, Los Angeles, CA (US)
(**) Term: **14 Years**
(21) Appl. No.: **29/253,225**
(22) Filed: **Feb. 2, 2006**
(51) **LOC (8) Cl.** **31-00**
(52) **U.S. Cl.** **D7/376**
(58) **Field of Classification Search** D7/376-386, D7/412, 413, 665; 99/509-511; 241/30, 33, 241/37.5, 101.01-101.02, 166-169.1, 274-278.2, 241/282.1-282.2, 285.1-285.3, 291, 292.1, 241/301; 366/64-67, 98, 100, 129, 197-201, 366/205-207, 219-221, 241-254, 279-292, 366/325.94, 330.4, 341-343
See application file for complete search history.

D422,208 S * 4/2000 Brose D9/668
D423,872 S * 5/2000 Blaise D7/378
6,193,407 B1 2/2001 Kubicz
D445,634 S 7/2001 Feil
D446,995 S 8/2001 Porsche et al.
D487,668 S 3/2004 Sands
6,817,750 B1 11/2004 Sands
D499,603 S 12/2004 Nikkhah
D501,756 S * 2/2005 Nikkhah D7/413
D501,759 S * 2/2005 Sands D7/536
2004/0173105 A1 9/2004 Kim et al.
2005/0068847 A1 * 3/2005 Sands 366/205
2005/0122837 A1 6/2005 Bravard et al.
2005/0229795 A1 10/2005 Stuckey

* cited by examiner

Primary Examiner—Cathron C. Brooks
Assistant Examiner—Ricky Pham
(74) *Attorney, Agent, or Firm*—Cislo & Thomas, LLP

(57) **CLAIM**

The ornamental design for a portable blender, as shown and described.

(56) **References Cited**

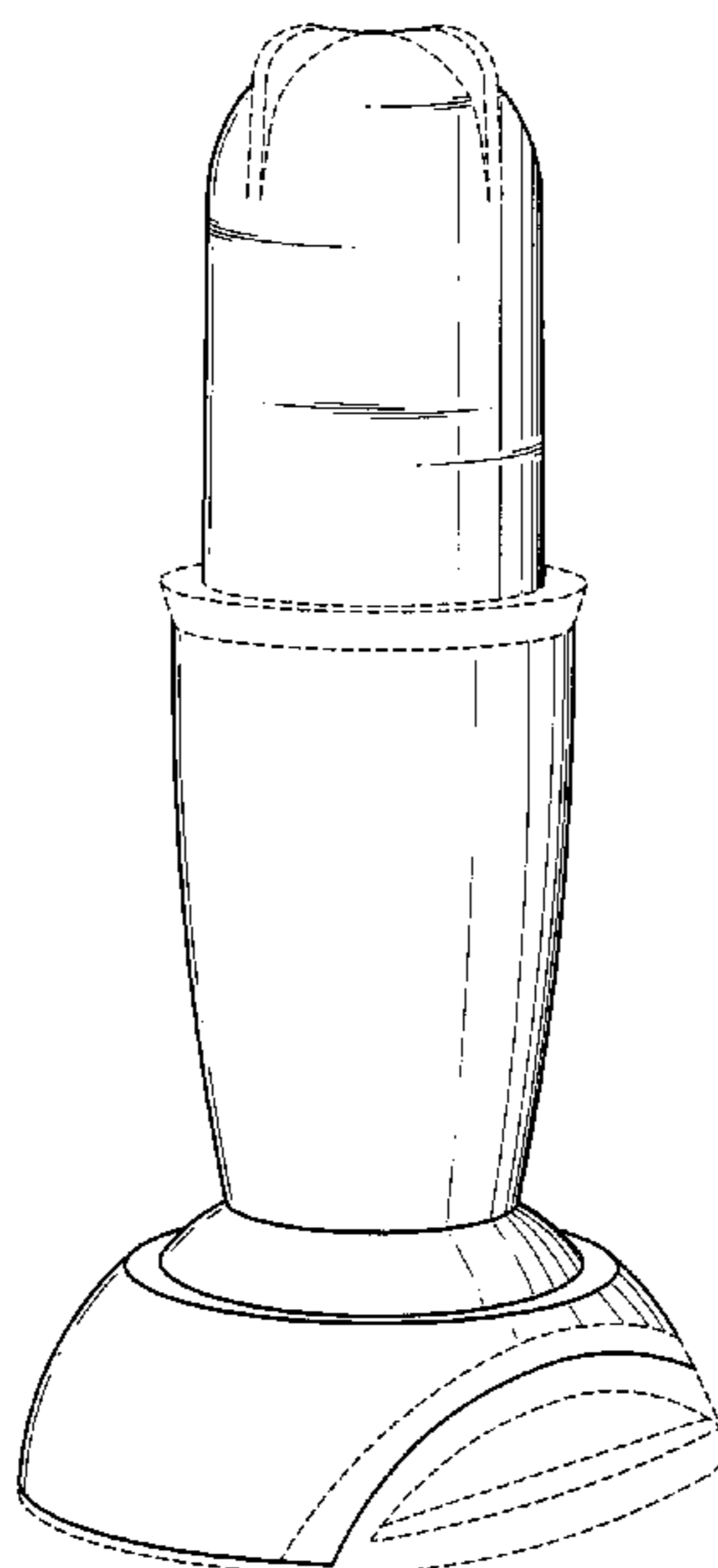
U.S. PATENT DOCUMENTS

D114,673 S * 5/1939 Cravaritis D7/300.1
2,920,875 A * 1/1960 Marfuggi 366/197
D195,073 S * 4/1963 Freedman D7/378
3,504,816 A 4/1970 Weichsel
3,627,008 A * 12/1971 Samuelian 241/199.12
3,704,864 A * 12/1972 Lee 366/205
D233,929 S * 12/1974 Yuen D7/376
D260,350 S 8/1981 Kahlcke
4,487,509 A 12/1984 Boyce
D281,945 S 12/1985 Boyce
5,636,923 A * 6/1997 Nejat-Bina 366/205
5,720,552 A * 2/1998 Schindlegger 366/197
5,863,118 A 1/1999 Ackels et al.

DESCRIPTION

FIG. 1 is a perspective view of a portable blender, in accordance with the present invention.
FIG. 2 is a rear view thereof.
FIG. 3 is a front view thereof.
FIG. 4 is a left side view thereof.
FIG. 5 is a right side view thereof.
FIG. 6 is a top view thereof; and,
FIG. 7 is a bottom view thereof.
Any broken lines, shown throughout in the drawing figures, are included for the purpose of illustrating environmental structures only and form no part of the claimed design.

1 Claim, 4 Drawing Sheets



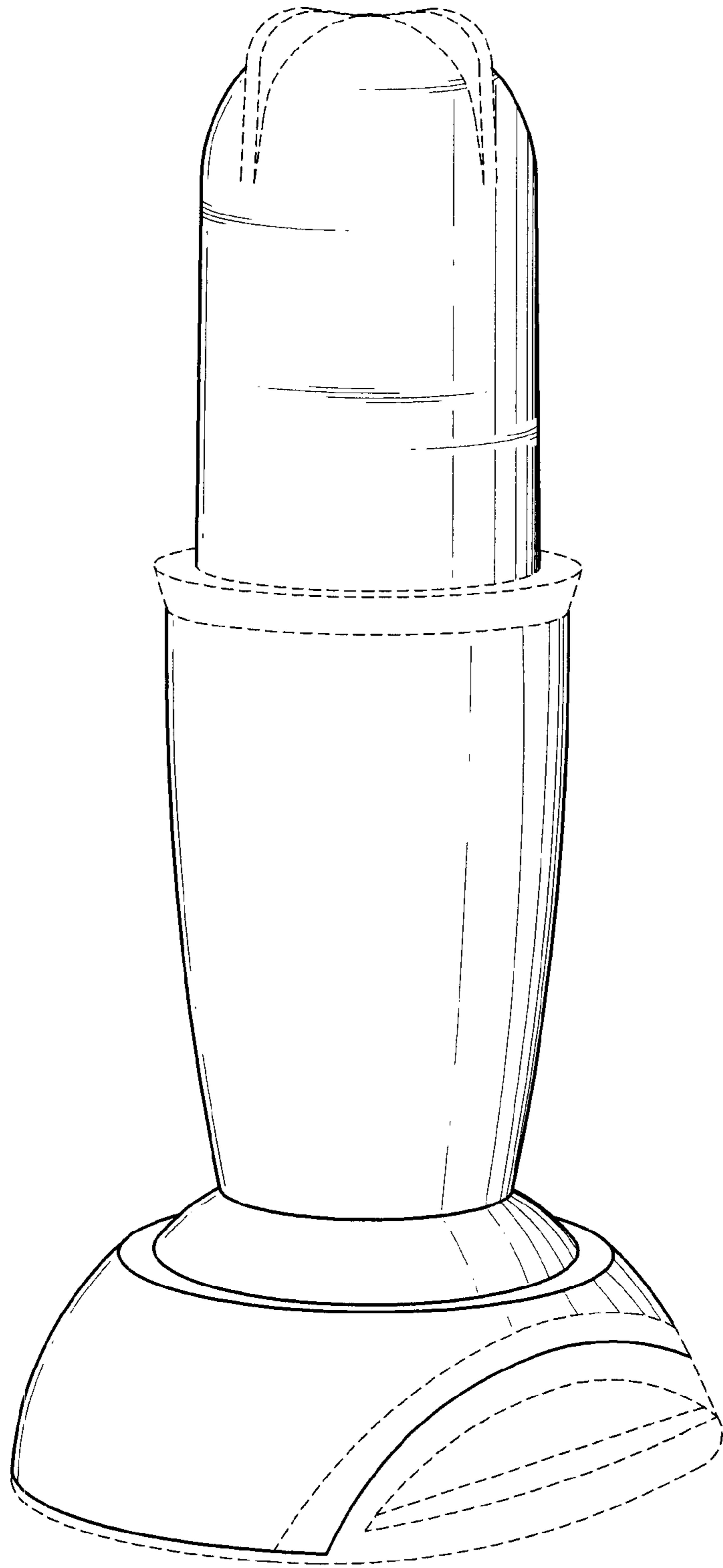


FIG. 1

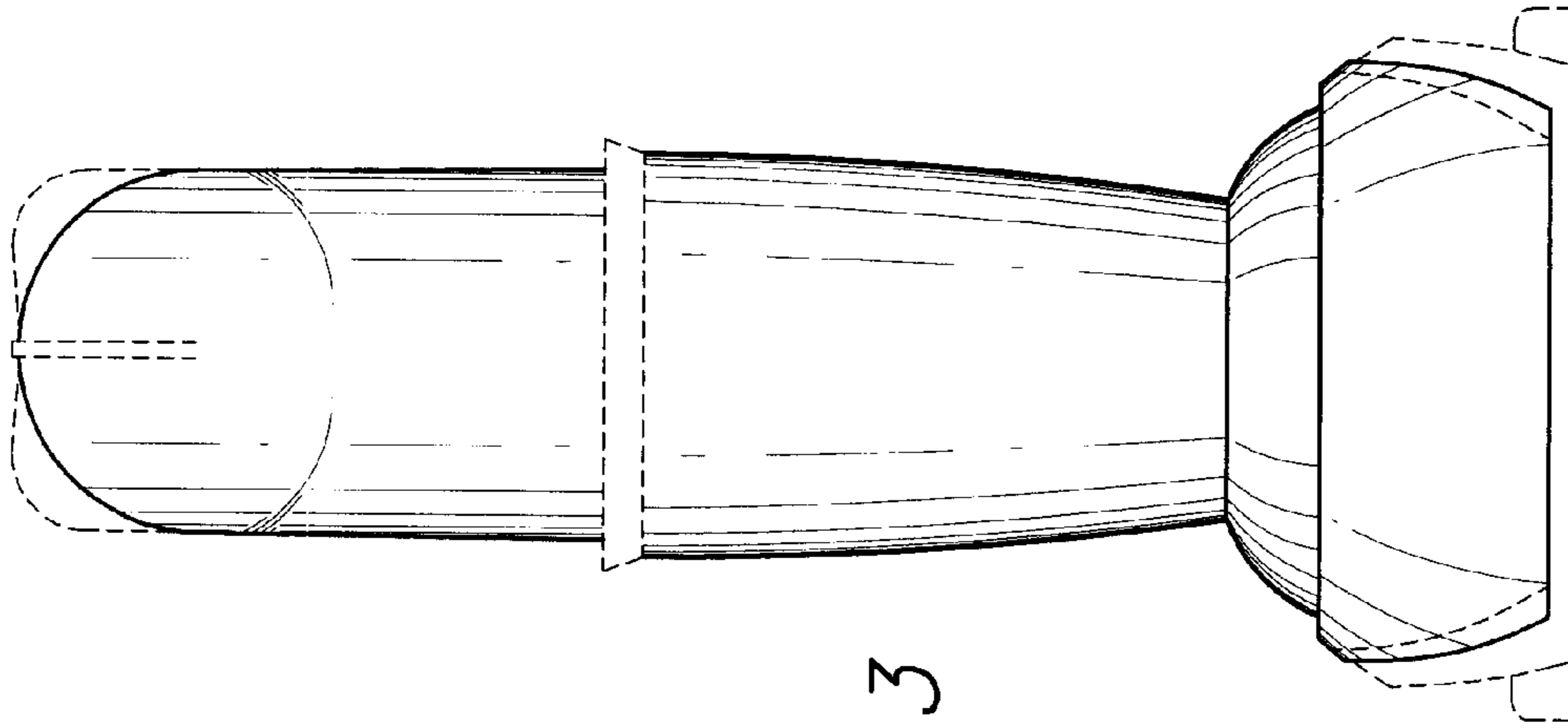


FIG. 3

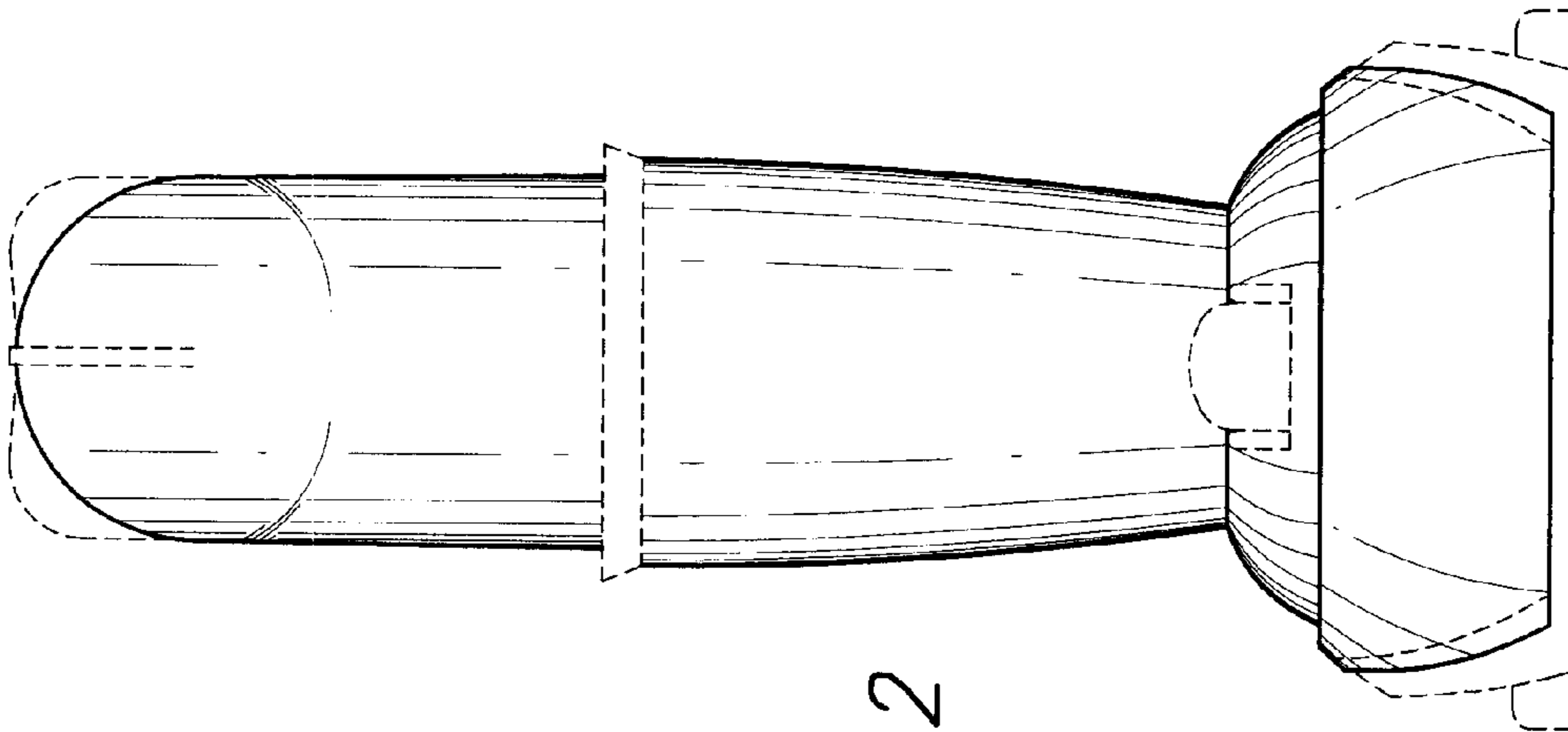


FIG. 2

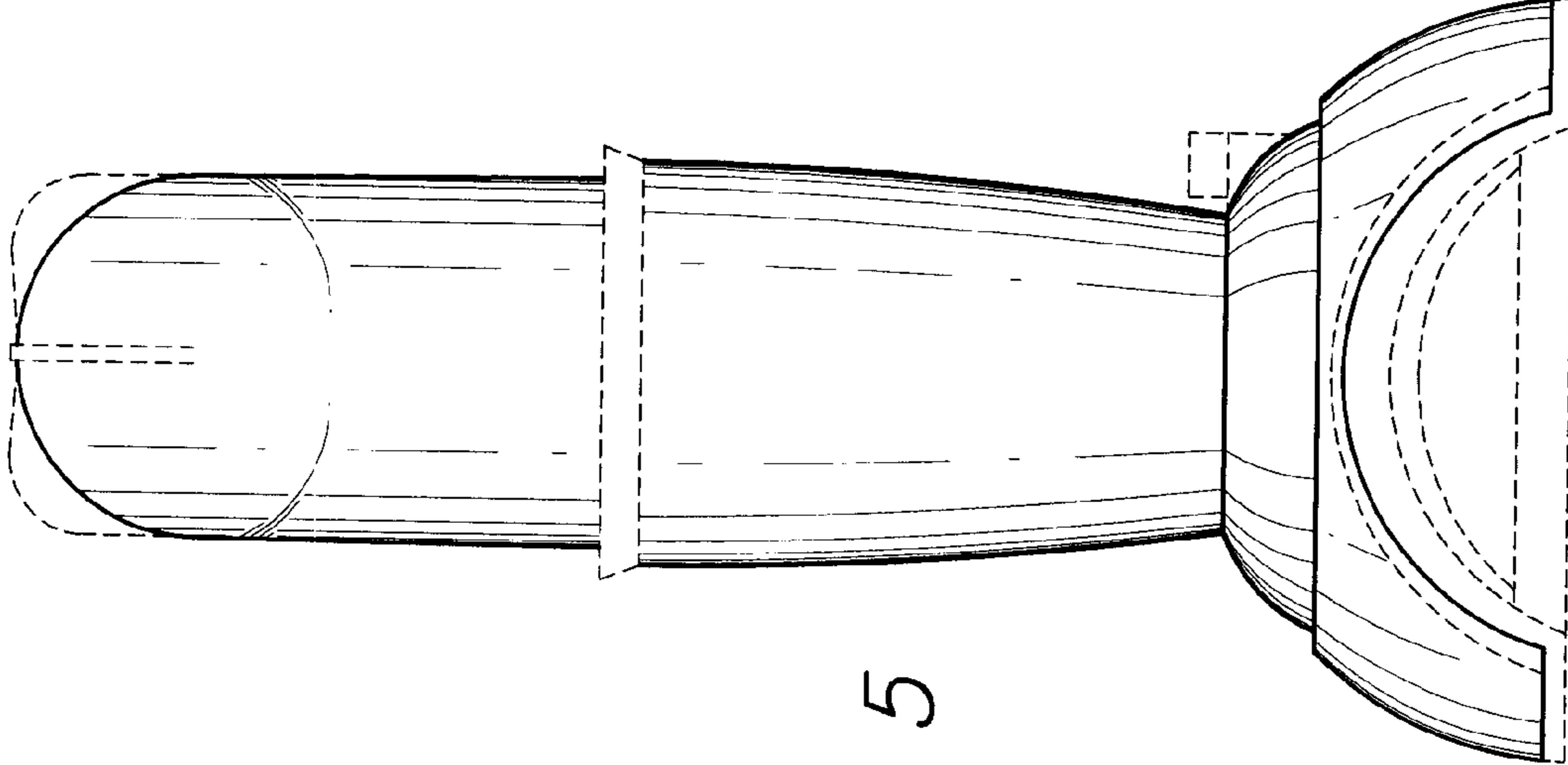


FIG. 5

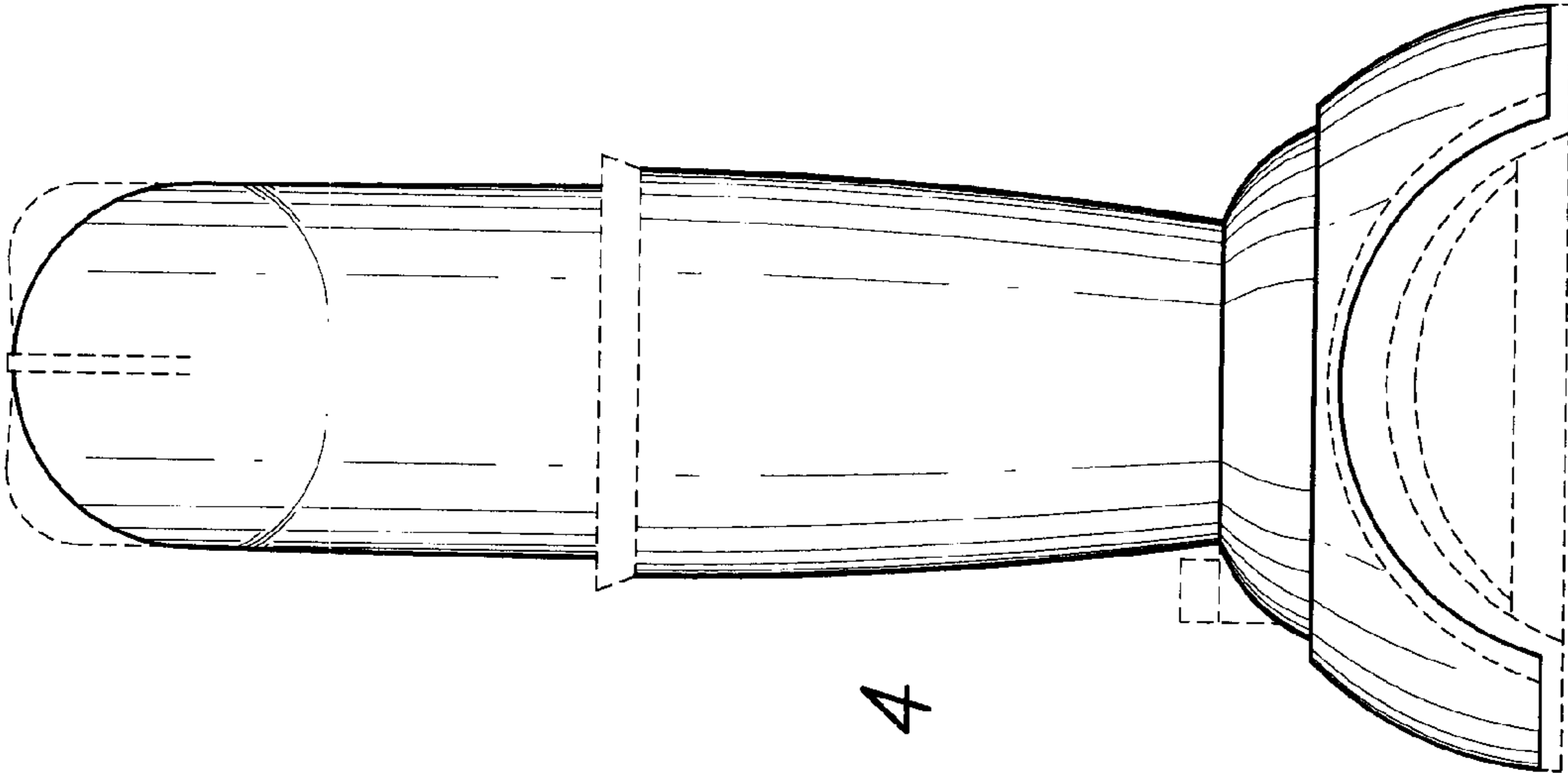


FIG. 4

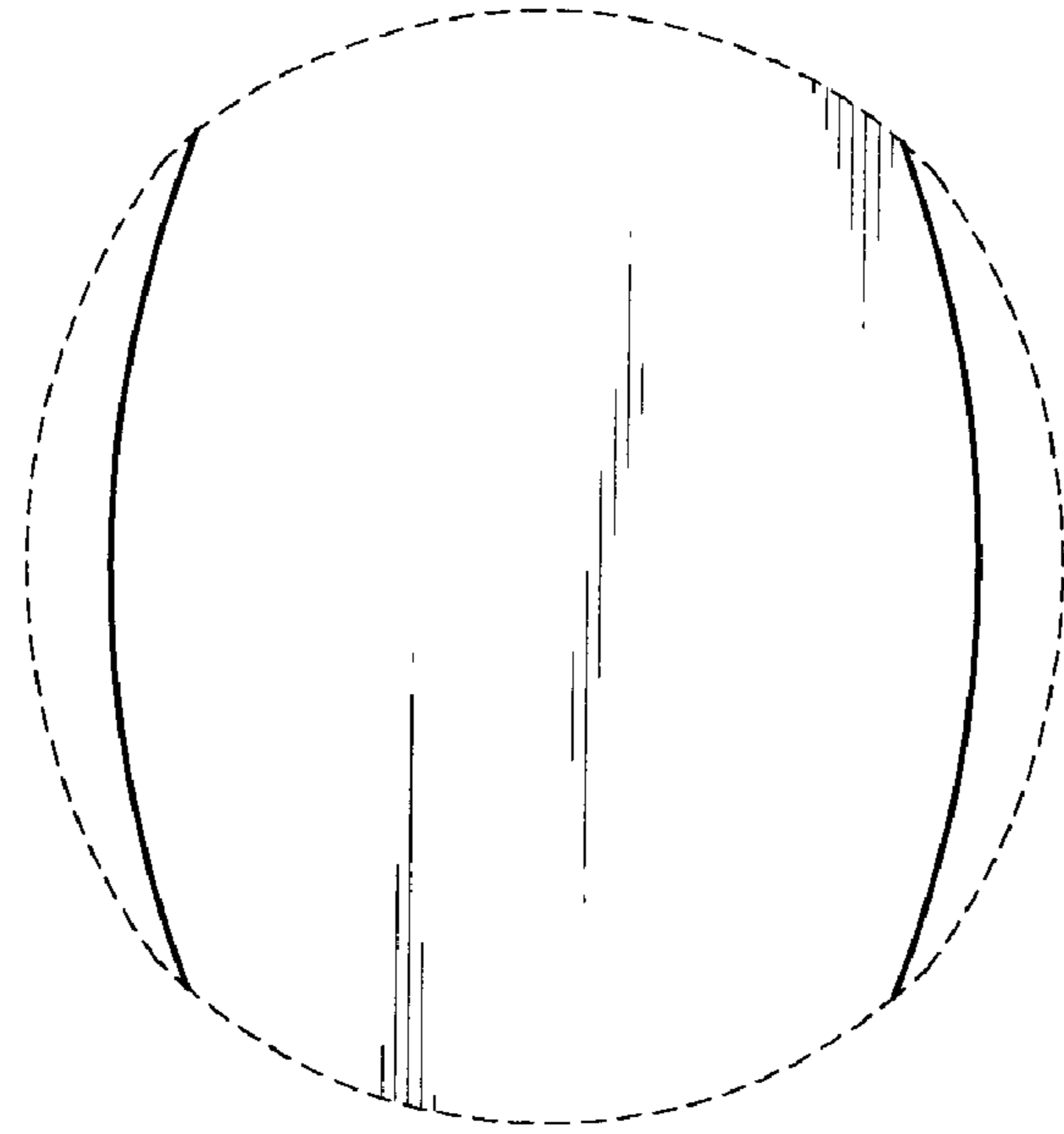


FIG. 7

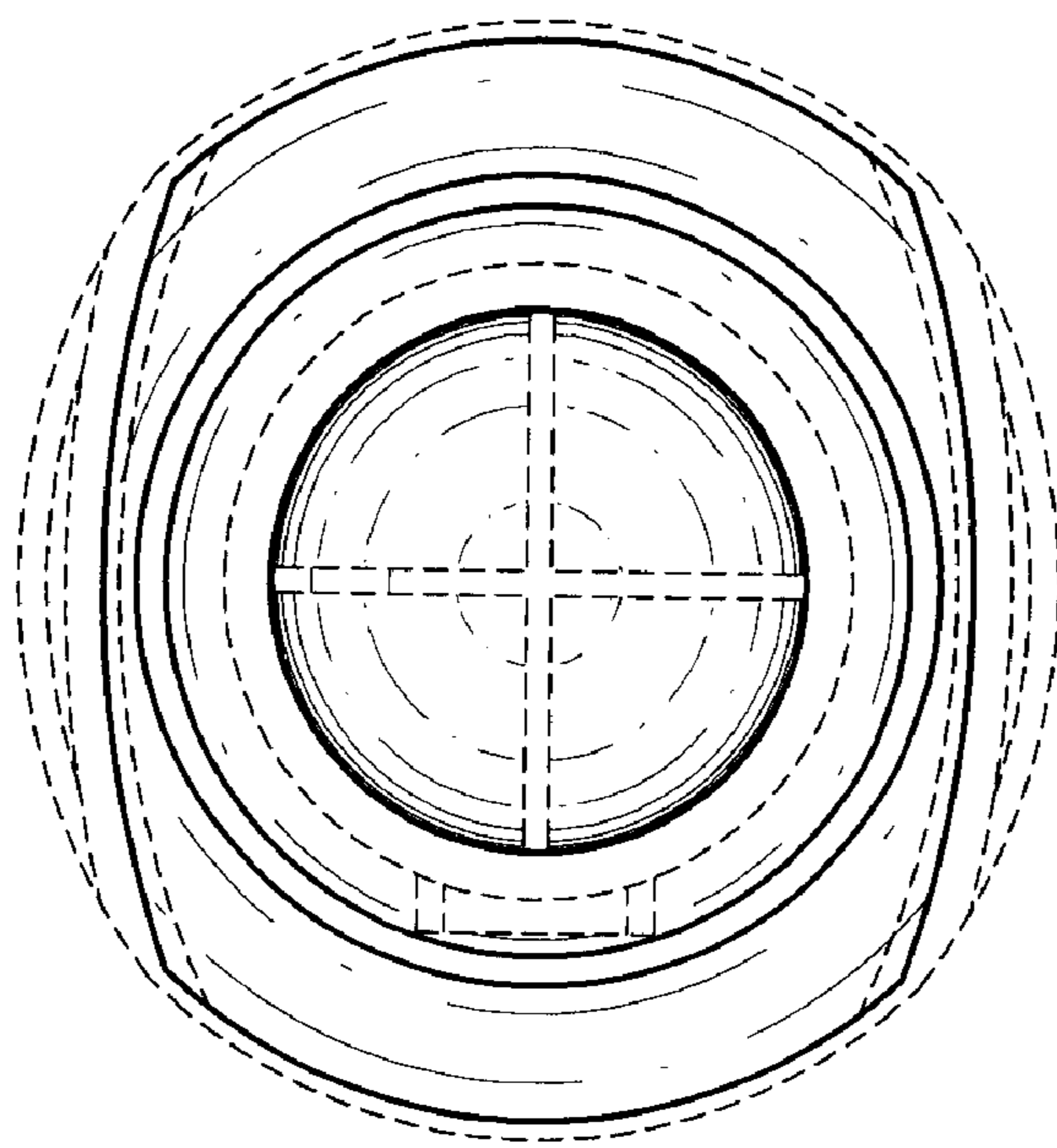


FIG. 6