



US00D532646S

(12) **United States Design Patent**
Moore

(10) **Patent No.:** **US D532,646 S**

(45) **Date of Patent:** **** Nov. 28, 2006**

(54) **GRILL**

(75) Inventor: **Devin Lee Moore**, Decatur, GA (US)

(73) Assignee: **Conair Corporation**, Stamford, CT (US)

(**) Term: **14 Years**

(21) Appl. No.: **29/251,931**

(22) Filed: **Jan. 13, 2006**

(51) **LOC (8) Cl.** **07-02**

(52) **U.S. Cl.** **D7/352**

(58) **Field of Classification Search** D7/323,
D7/328-332, 334-339, 352-363; 99/219,
99/331, 339, 349, 369, 372-375, 385, 386,
99/389, 425, 444, 446, 466, 601, 618, 620;
219/524, 525, 620-622, 732-734; D21/525

See application file for complete search history.

(56) **References Cited**

U.S. PATENT DOCUMENTS

D157,463 S	*	2/1950	Alexander	D7/352
D213,931 S	*	4/1969	Bardeau	D7/352
D278,305 S	*	4/1985	Madl et al.	D7/352
D342,417 S	*	12/1993	McClean	D7/352
D367,993 S	*	3/1996	McClean	D7/352
D436,794 S	*	1/2001	McClean	D7/352
D452,109 S	*	12/2001	Hensel	D7/352
6,439,108 B1	*	8/2002	Wu	99/349
D479,665 S	*	9/2003	Barker	D7/352
D507,929 S	*	8/2005	Steinberg et al.	D7/352
D509,703 S	*	9/2005	Barker	D7/352

2005/0139086 A1 * 6/2005 McHutchison 99/389

FOREIGN PATENT DOCUMENTS

WO WO 2005037035 * 4/2005

OTHER PUBLICATIONS

Kitchen Kapers Catalog, Fall 2005, p. 20, Cuisinart Grid-
dler, #GR4.*

Kitchen Kapers Catalog, Fall 2005, p. 8, The Uno Panini
Grill, Item #2160.*

* cited by examiner

Primary Examiner—Cathron C. Brooks

Assistant Examiner—Ricky Pham

(74) *Attorney, Agent, or Firm*—Lawrence Cruz; Steven A.
Garner

(57) **CLAIM**

The ornamental design for a grill, as shown and described.

DESCRIPTION

FIG. 1 is a perspective view of a grill showing our new
design;

FIG. 2 is a top view thereof;

FIG. 3 is a right side view thereof;

FIG. 4 is a left side view thereof;

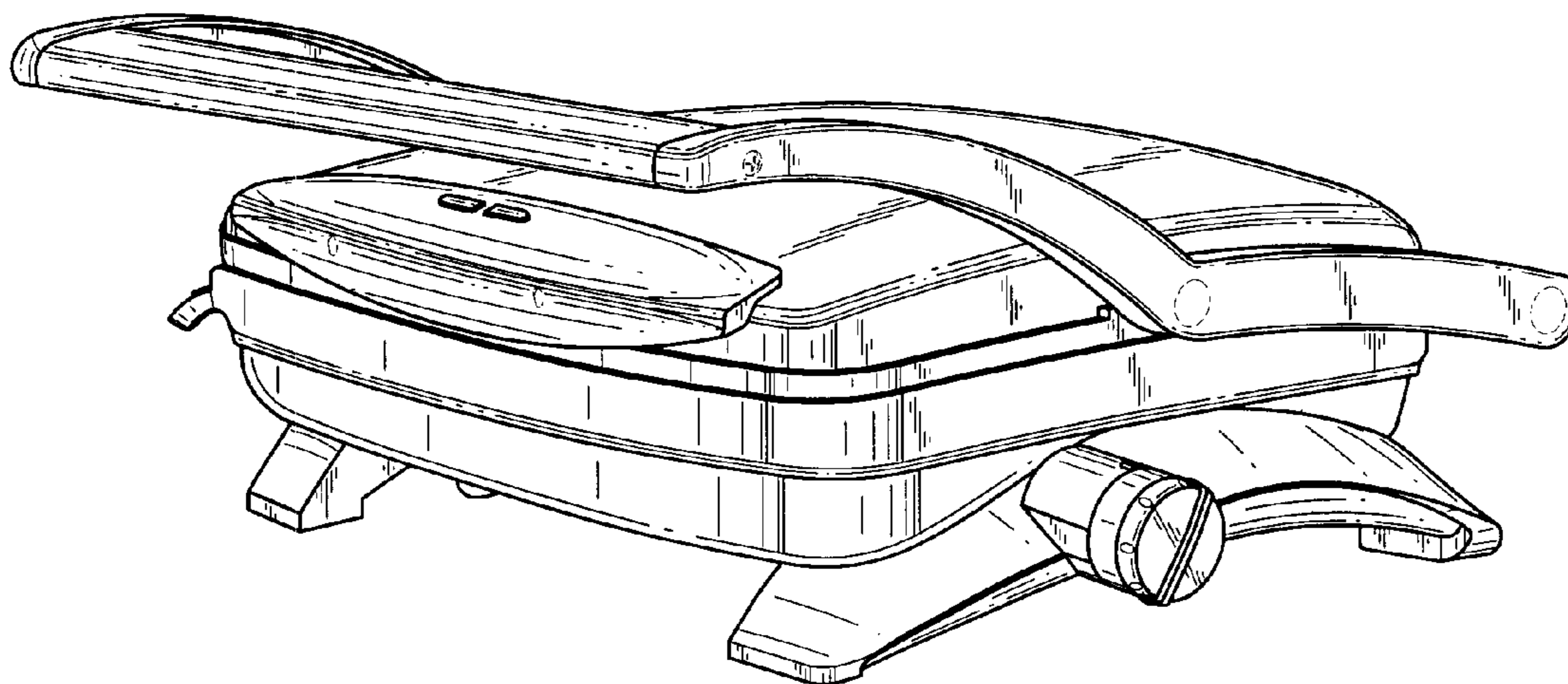
FIG. 5 is a bottom view thereof;

FIG. 6 is a front view thereof; and,

FIG. 7 is a rear view.

The broken lines are shown for illustrative purposes only
and form no part of the claimed design.

1 Claim, 3 Drawing Sheets



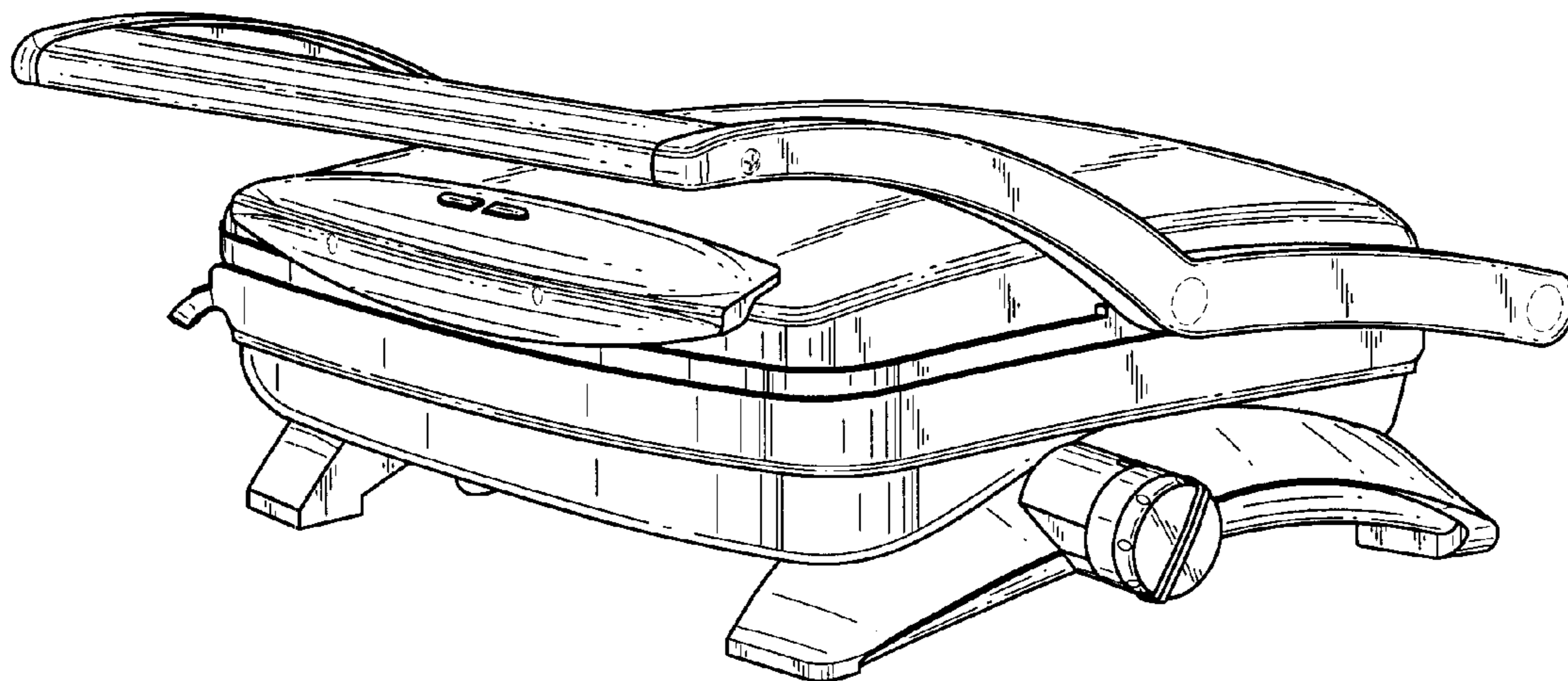


FIG. 1

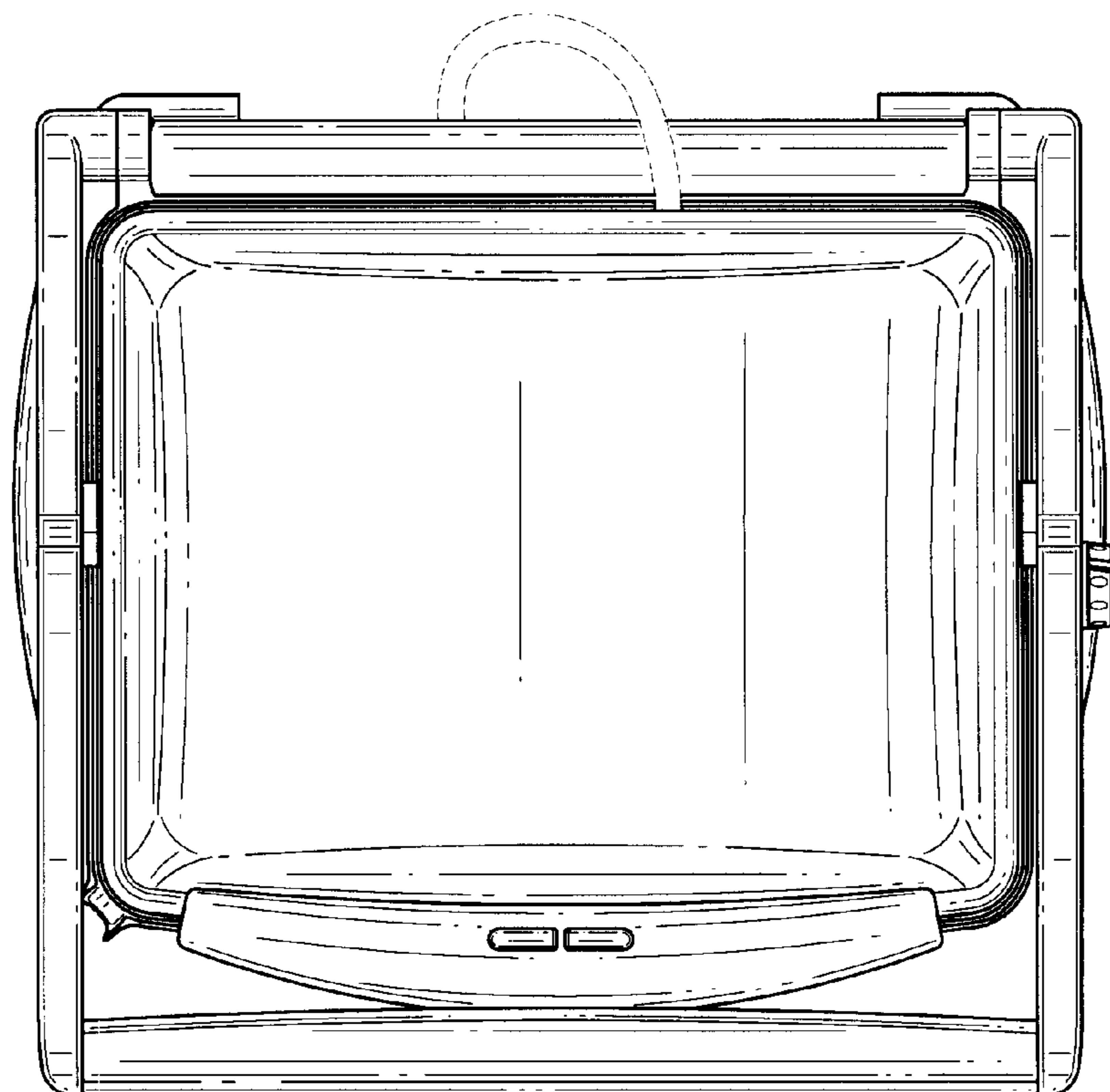


FIG. 2

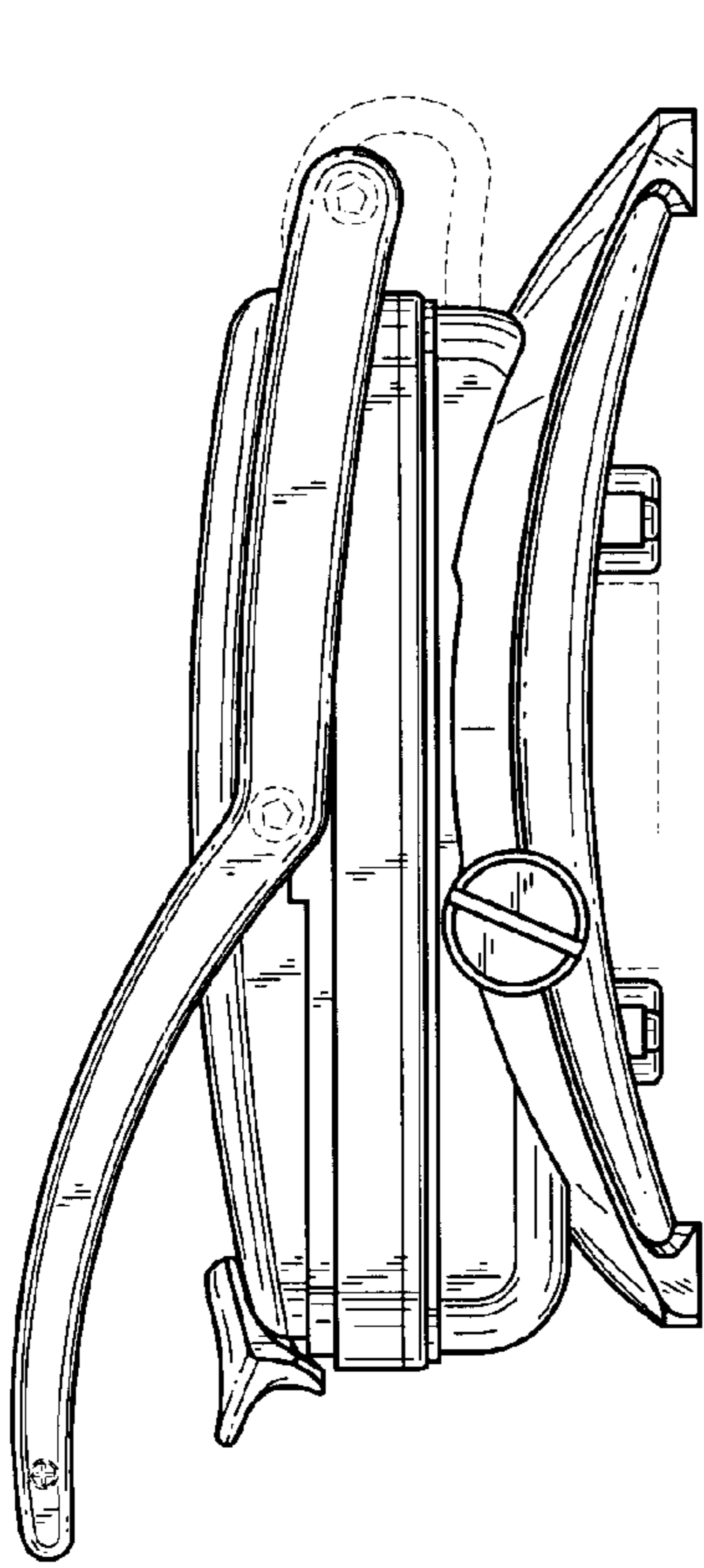


FIG. 3

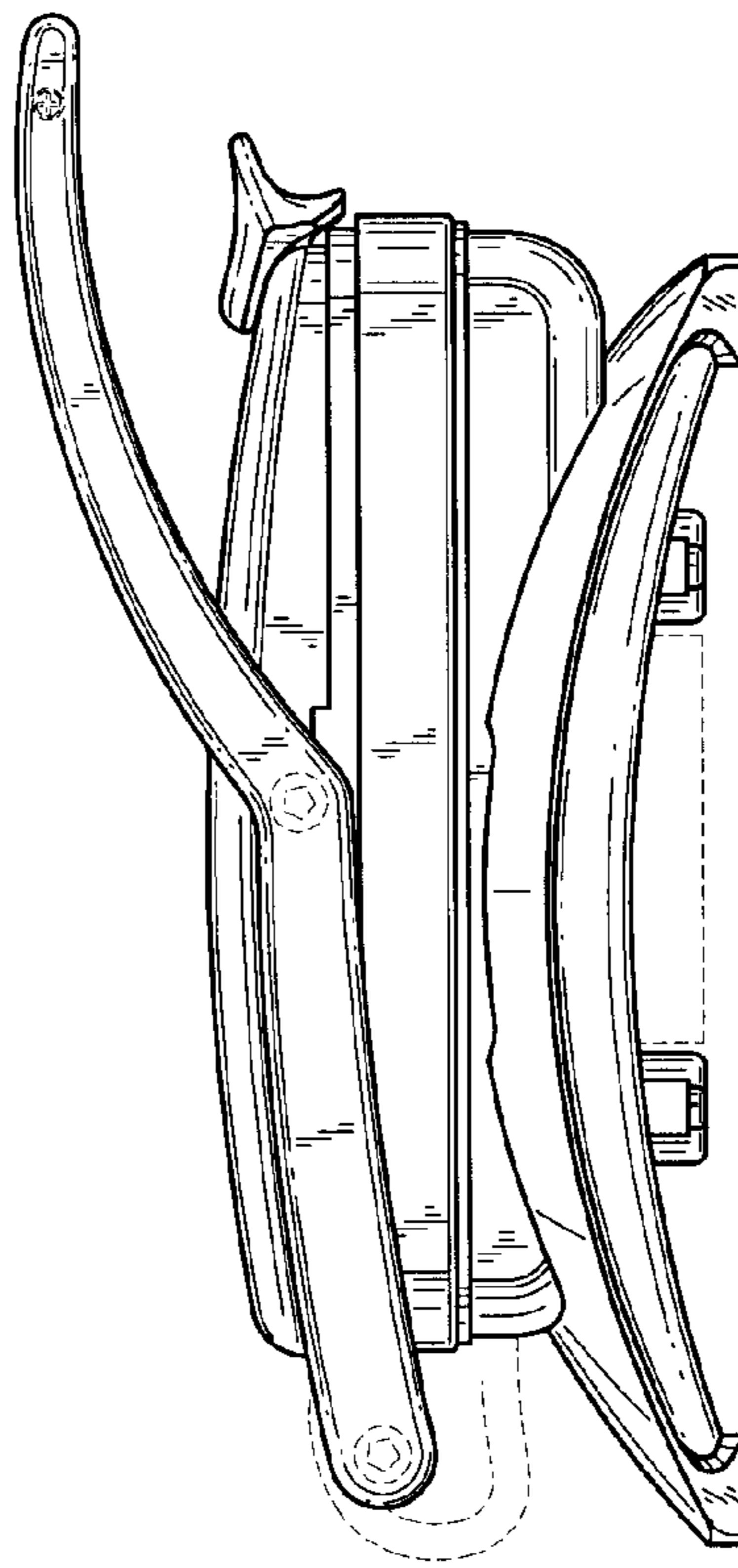


FIG. 4

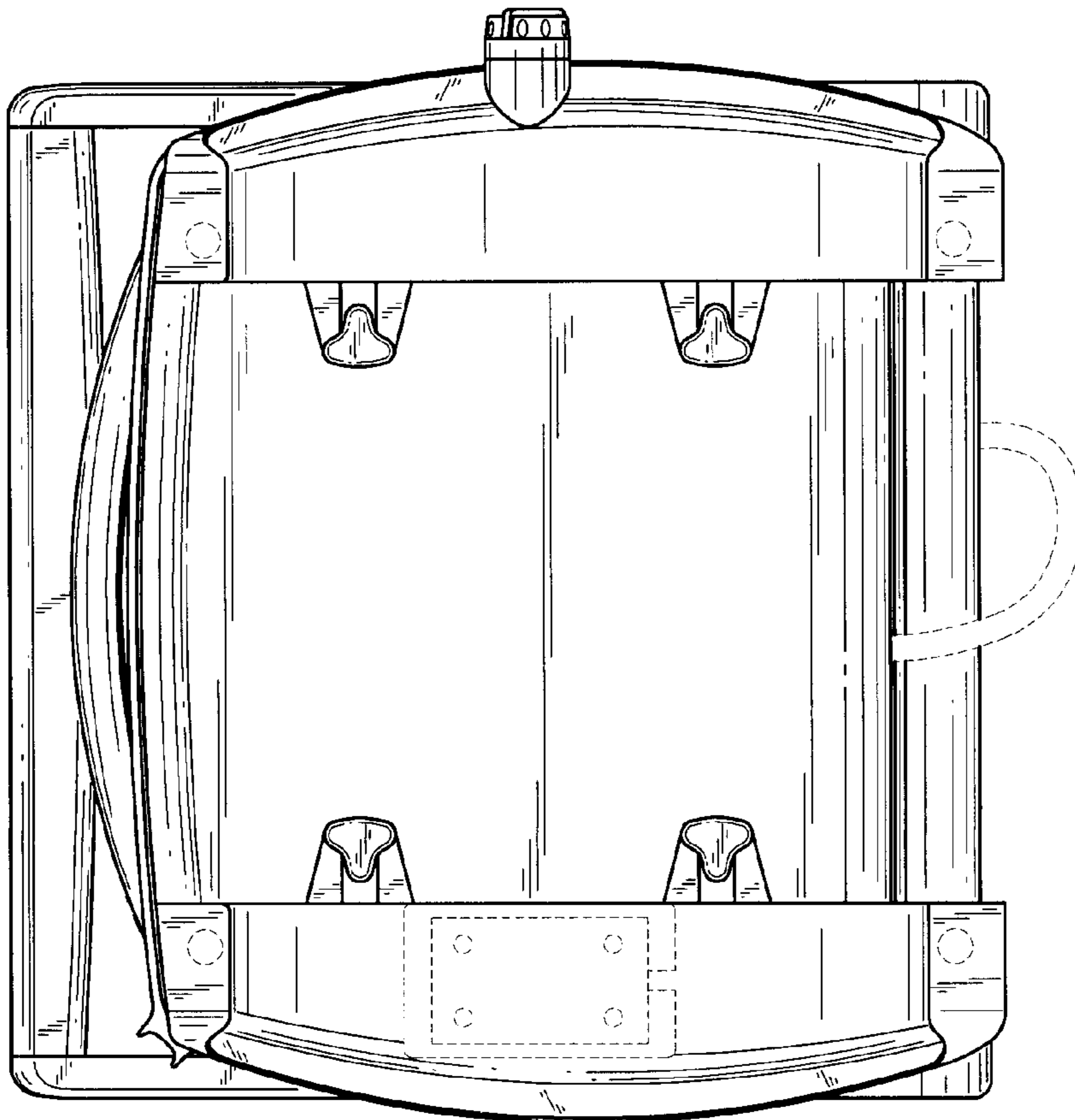


FIG. 5

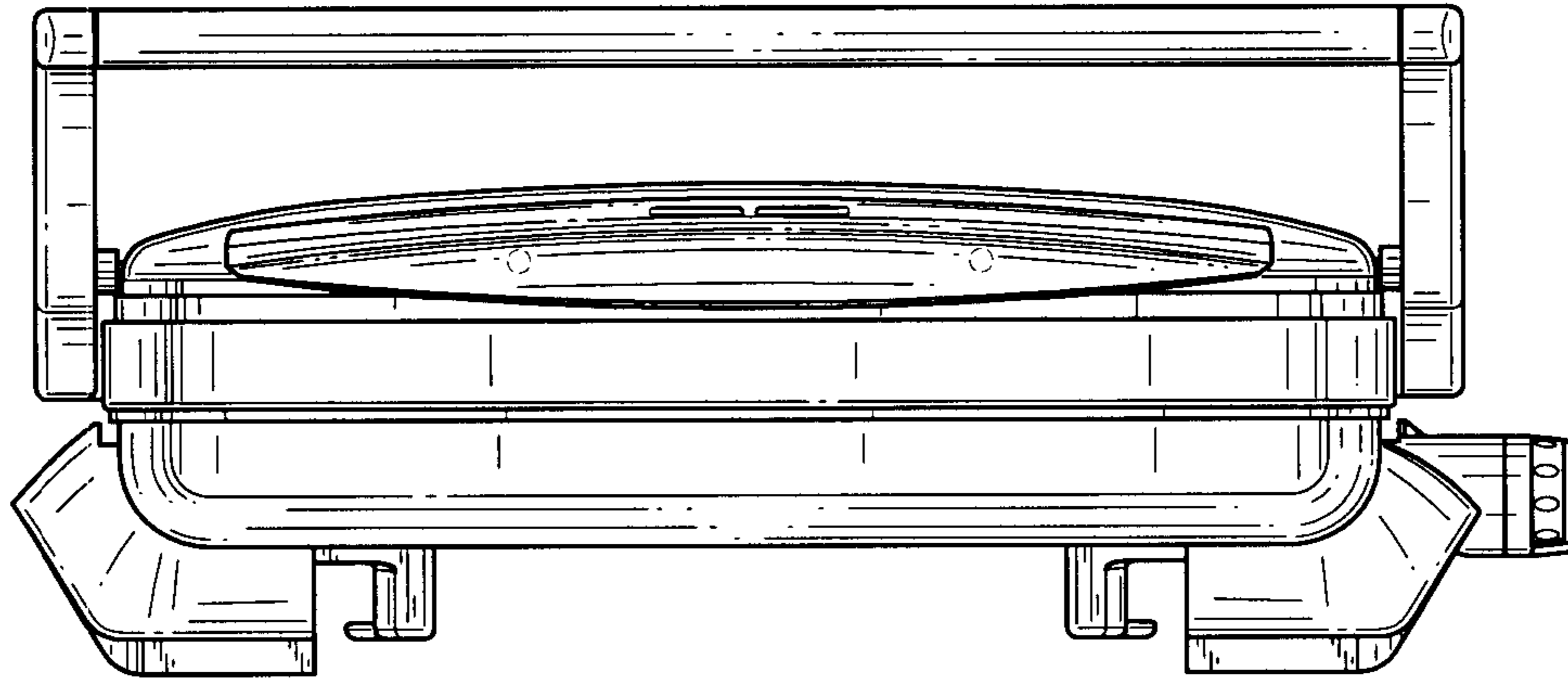


FIG. 6

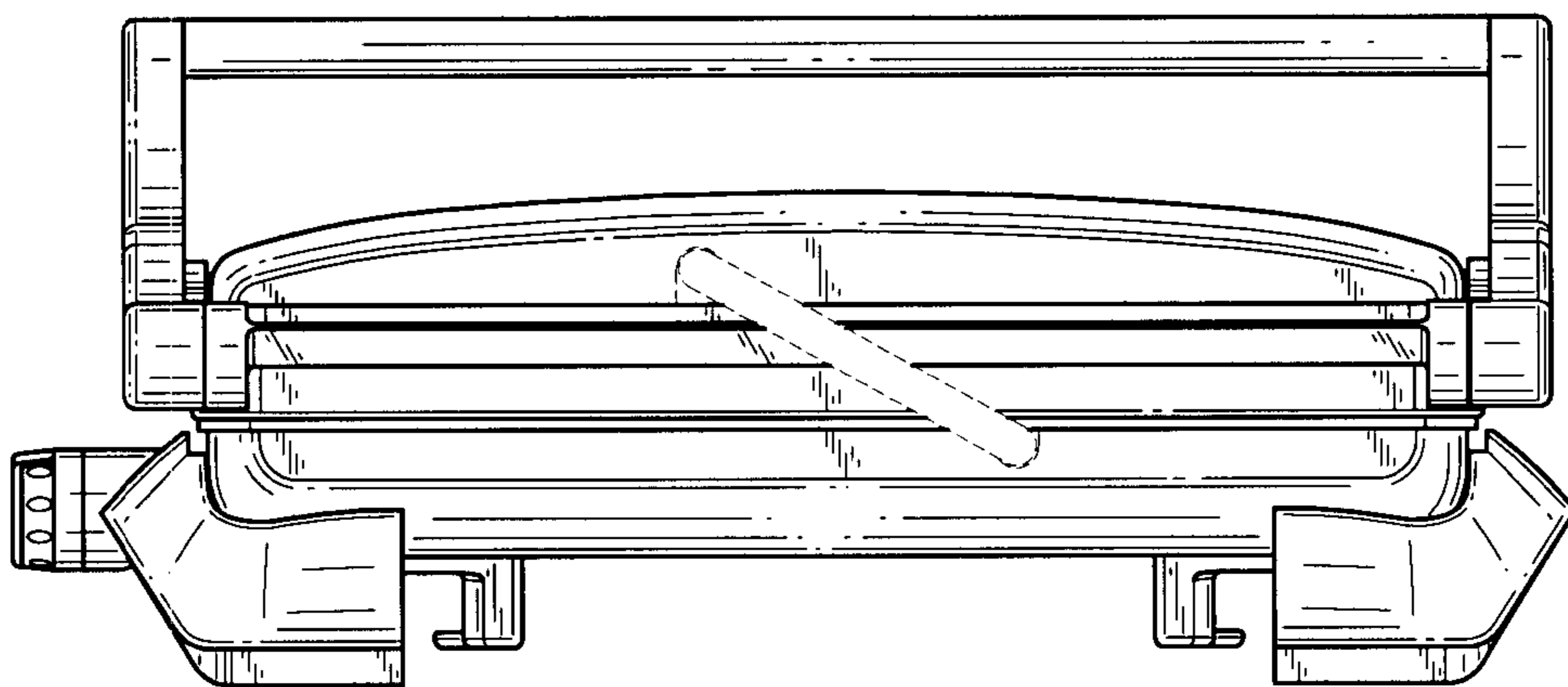


FIG. 7