

US00D532644S

(12) **United States Design Patent**
Ball

(10) **Patent No.:** **US D532,644 S**

(45) **Date of Patent:** **** Nov. 28, 2006**

(54) **TOASTER OVEN**

(75) Inventor: **Alan D. Ball**, Somerville, MA (US)

(73) Assignee: **Conair Corporation**, Stamford, CT (US)

(**) Term: **14 Years**

(21) Appl. No.: **29/225,126**

(22) Filed: **Mar. 11, 2005**

(51) **LOC (8) Cl.** **07-02**

(52) **U.S. Cl.** **D7/350.1**

(58) **Field of Classification Search** D7/350.1,
D7/350.3, 350.4, 351, 402, 405; 126/19 M,
126/273 E; 219/739-740, 756-758, 391
See application file for complete search history.

(56) **References Cited**

U.S. PATENT DOCUMENTS

D235,089 S	*	5/1975	Lloveras	D7/350.4
D237,242 S	*	10/1975	Claxton	D7/350.4
D245,470 S	*	8/1977	Ernest	D7/350.4
D304,147 S	*	10/1989	Takada et al.	D7/350.4
D309,078 S	*	7/1990	Kokubo	D7/351
D336,814 S	*	6/1993	Brookshire	D7/350.4
D380,643 S	*	7/1997	Piret	D7/350.4
D381,861 S	*	8/1997	Rorke et al.	D7/350.4

D386,938 S	*	12/1997	Piret	D7/350.4
D406,721 S	*	3/1999	Schubert-Belle et al.	D7/350.4
D412,637 S	*	8/1999	Piret	D7/350.4
D415,926 S	*	11/1999	De'Longhi	D7/350.4
D420,245 S	*	2/2000	De'Longhi	D7/350.4
D444,992 S	*	7/2001	Brady et al.	D7/350.4
D446,418 S	*	8/2001	Cruz	D7/350.4
D451,752 S	*	12/2001	Davis et al.	D7/350.4
D476,846 S	*	7/2003	Piret	D7/351

* cited by examiner

Primary Examiner—Ruth McInroy

(74) *Attorney, Agent, or Firm*—Lawrence Cruz; Steven A. Garner

(57) **CLAIM**

The ornamental design for a toaster oven, as shown and described.

DESCRIPTION

FIG. 1 is a perspective view of a toaster oven showing our new design;

FIG. 2 is a front view thereof;

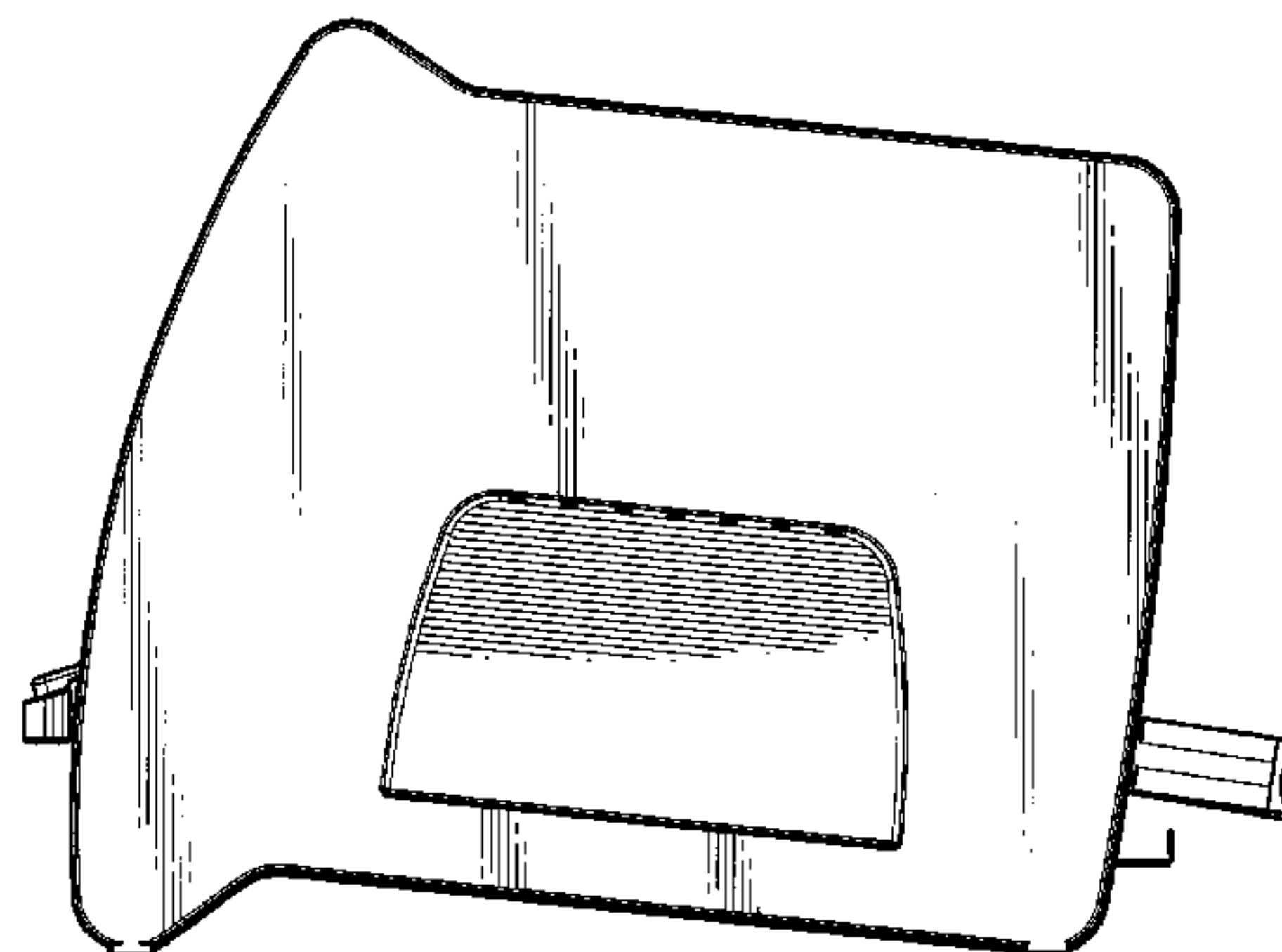
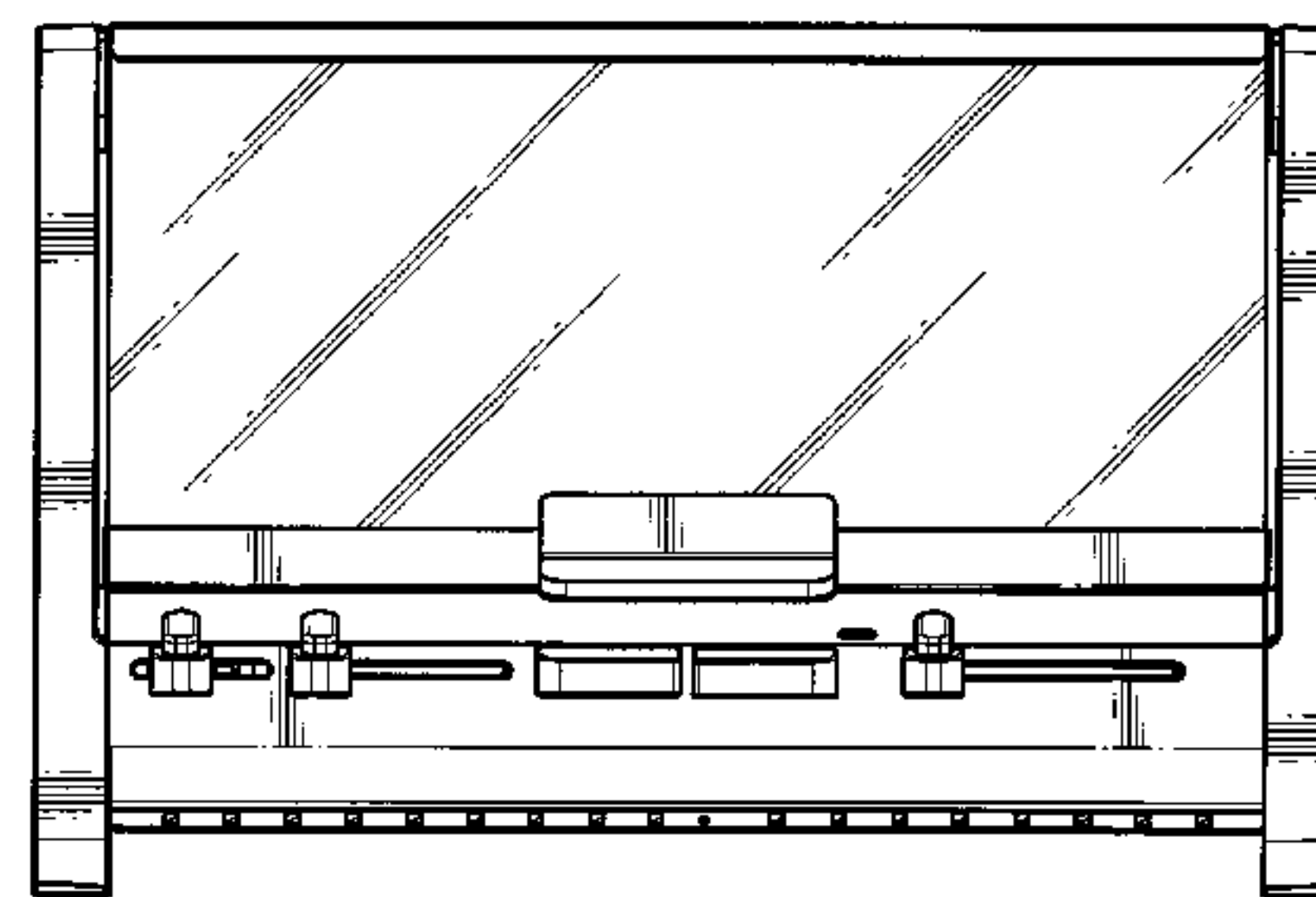
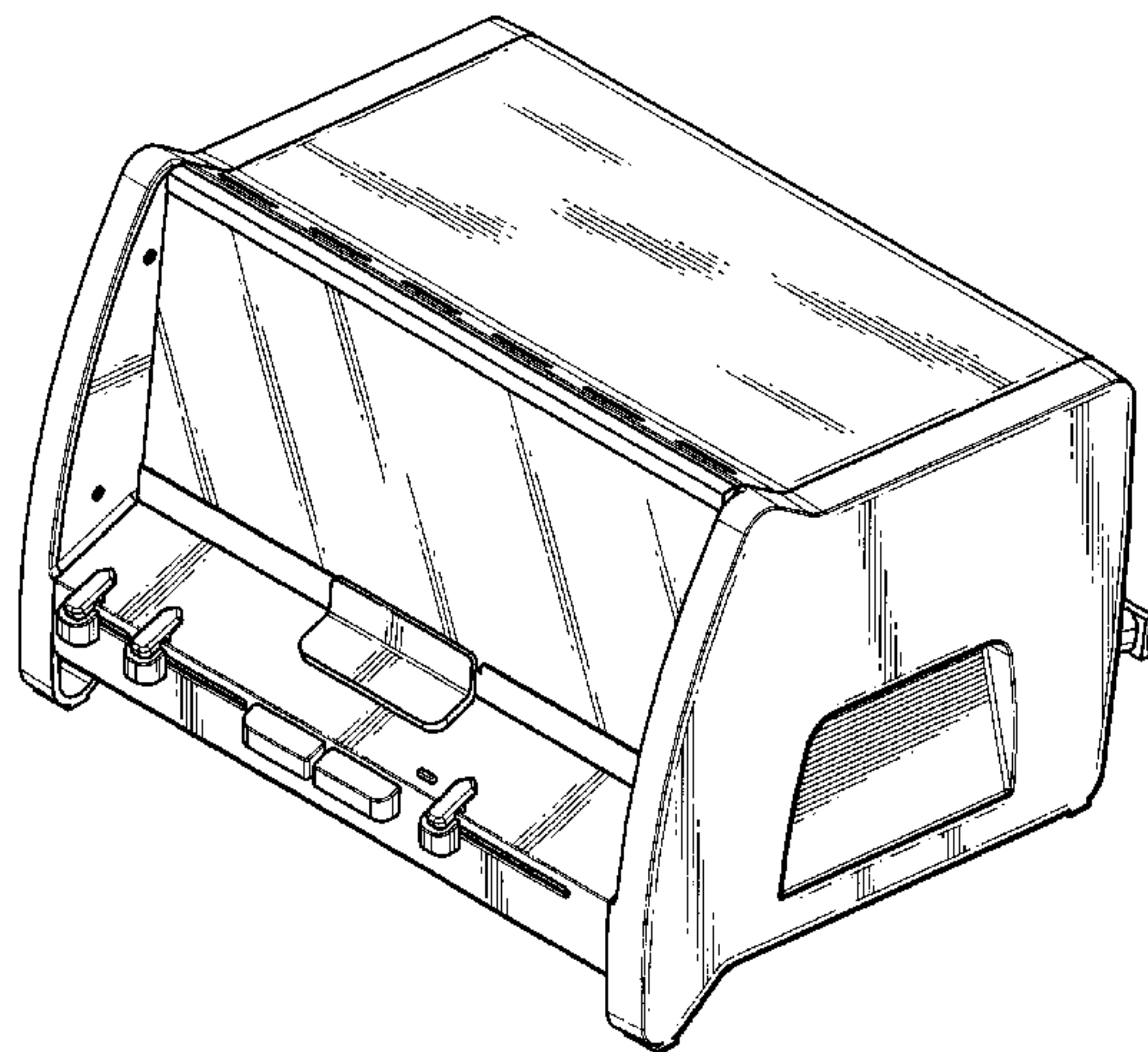
FIG. 3 is a top view thereof;

FIG. 4 is a bottom view thereof;

FIG. 5 is a rear view thereof; and,

FIG. 6 is a right side view.

1 Claim, 6 Drawing Sheets



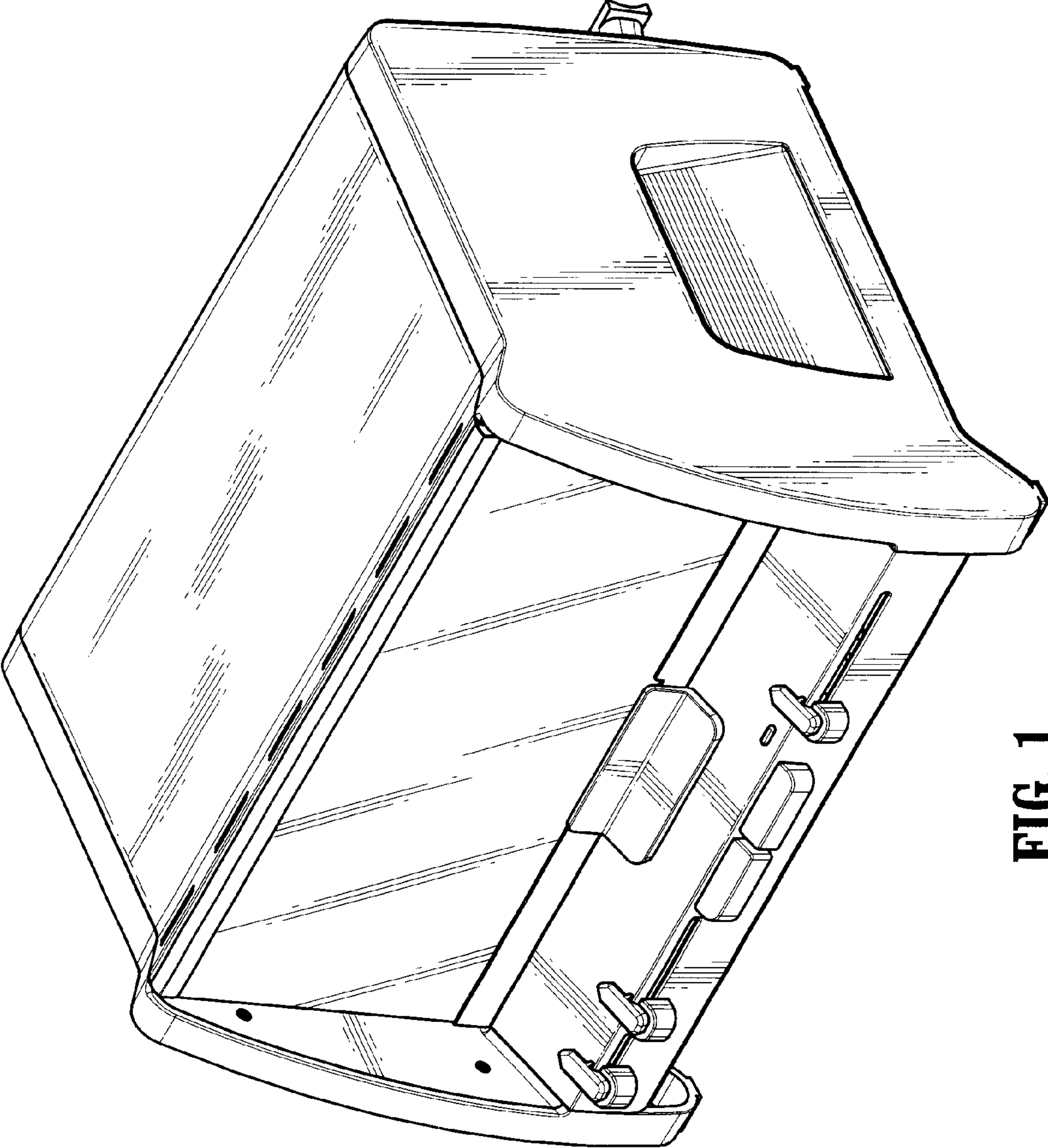


FIG. 1

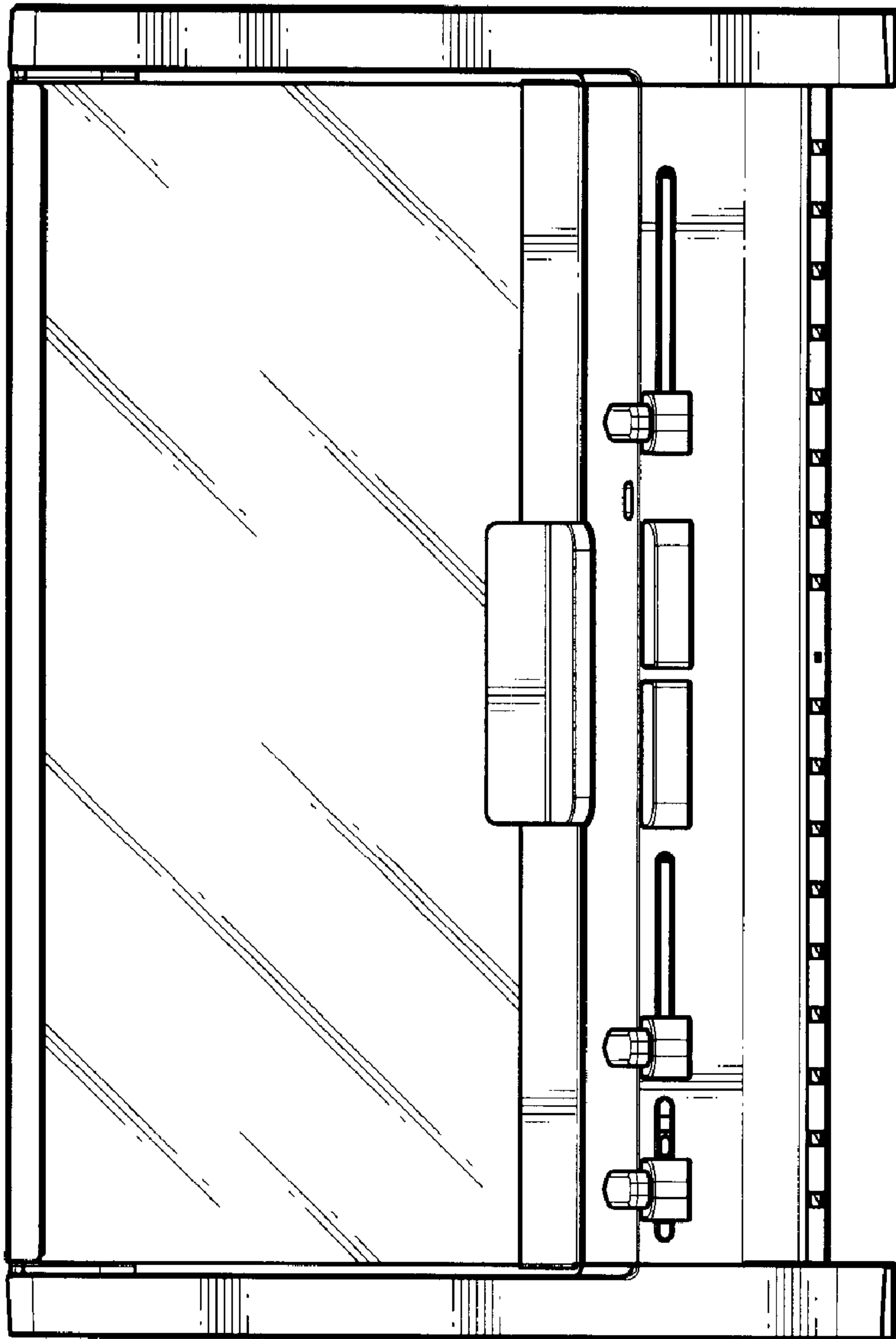


FIG. 2

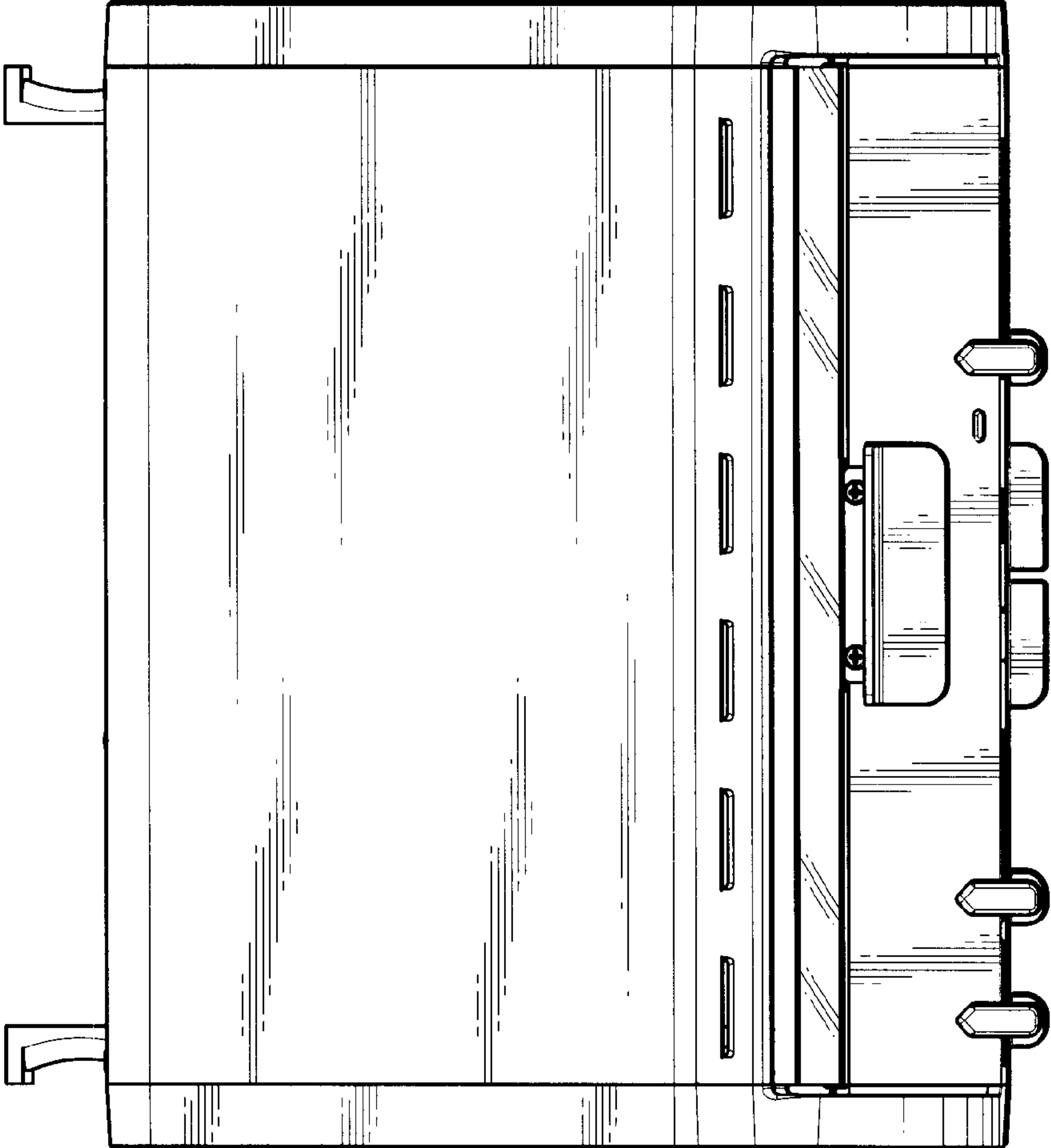


FIG. 3

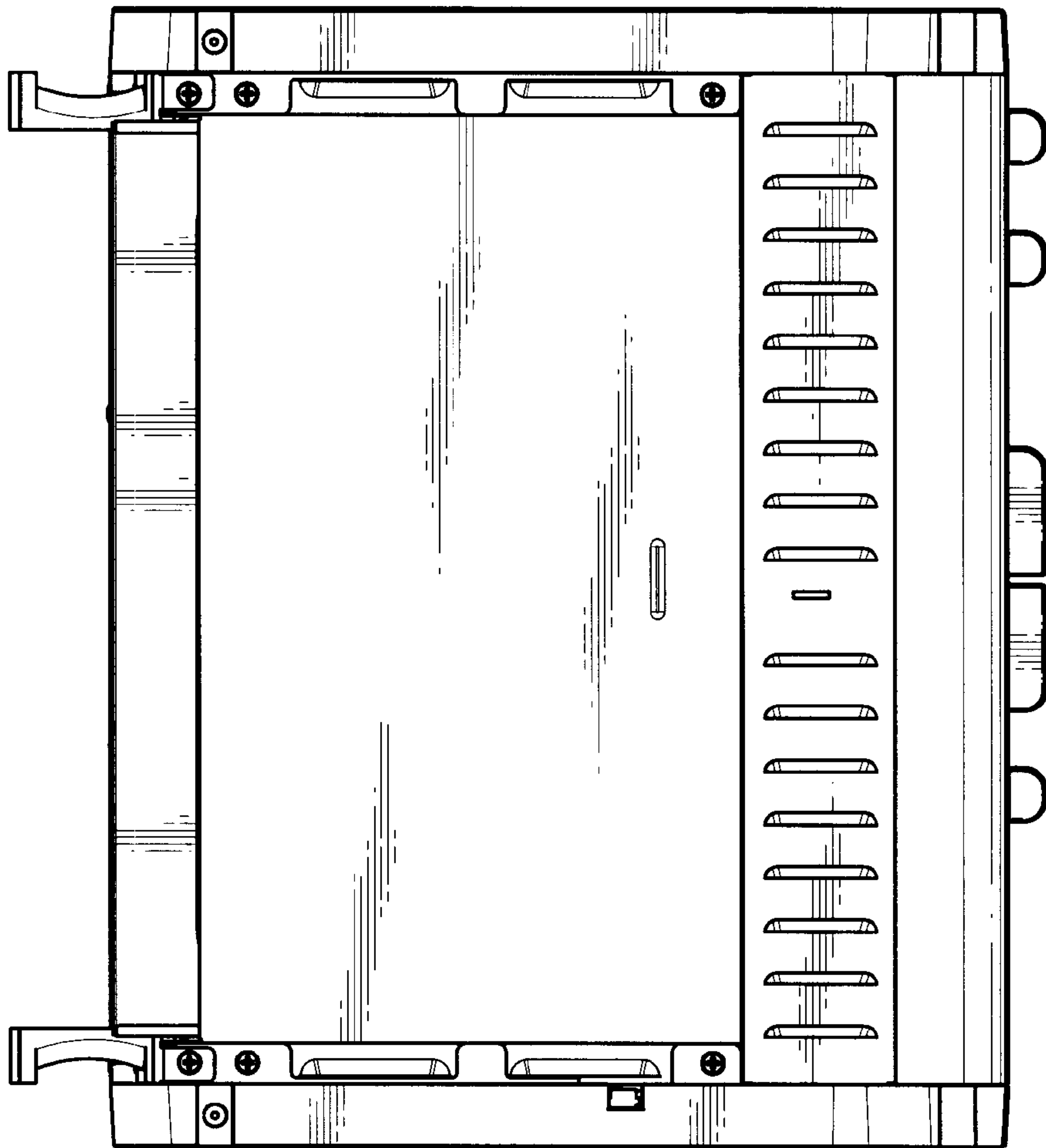


FIG. 4

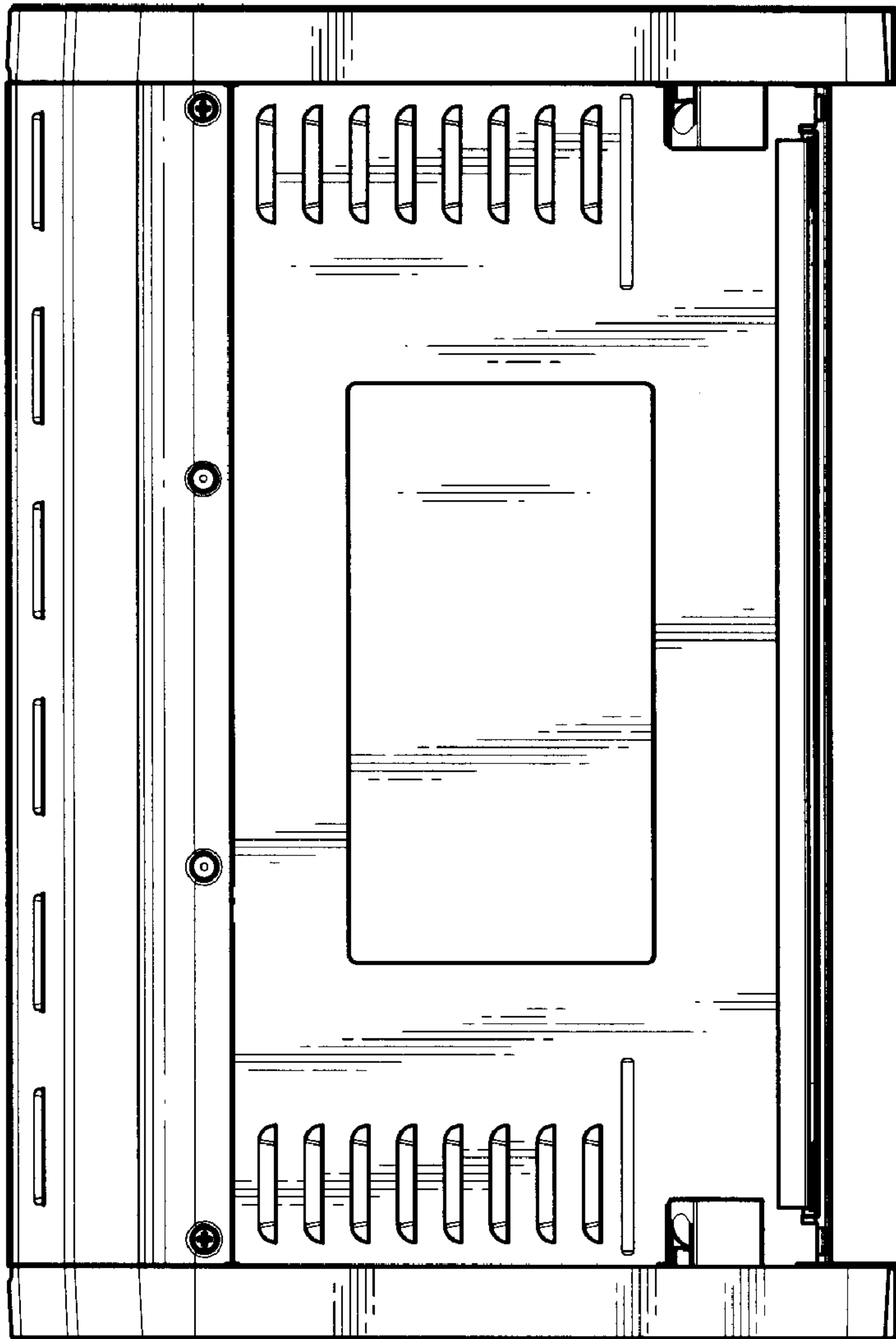


FIG. 5

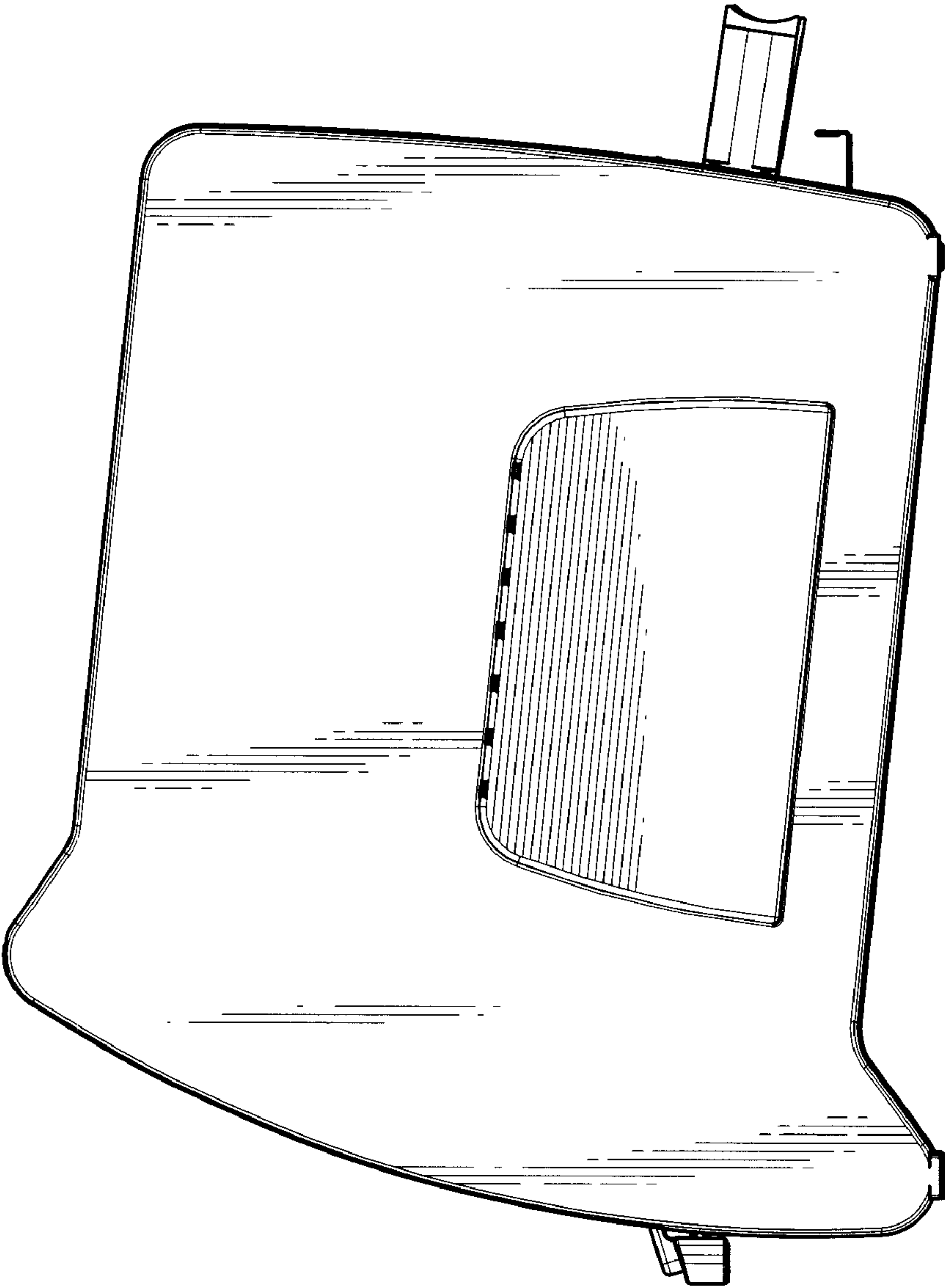


FIG. 6