



US00D532639S

(12) **United States Design Patent**
Snell

(10) **Patent No.:** **US D532,639 S**

(45) **Date of Patent:** **** Nov. 28, 2006**

(54) **SUCTION SOAP HOLSTER**

D486,185 S * 2/2004 Sheldon et al. D6/553
D512,255 S * 12/2005 Snell D6/567

(75) Inventor: **Russell Benton Snell**, Bentleyville, OH
(US)

* cited by examiner

(73) Assignee: **InterDesign, Inc.**, Solon, OH (US)

Primary Examiner—Brian N Vinson

(**) Term: **14 Years**

(74) *Attorney, Agent, or Firm*—D. Peter Hochberg; Sean Mellino

(21) Appl. No.: **29/219,357**

(57) **CLAIM**

(22) Filed: **Dec. 16, 2004**

The ornamental design for a suction soap holster, as shown and described.

(51) **LOC (8) Cl.** **06-04**

(52) **U.S. Cl.** **D6/567**

(58) **Field of Classification Search** D6/553,
D6/540, 567, 574; D3/201, 304, 315, 901;
206/207, 349, 361, 363, 812, 77.1, 5; 211/13.1,
211/85.1, 85.12, 70.6, 86.01, 87.01, 119.009
See application file for complete search history.

DESCRIPTION

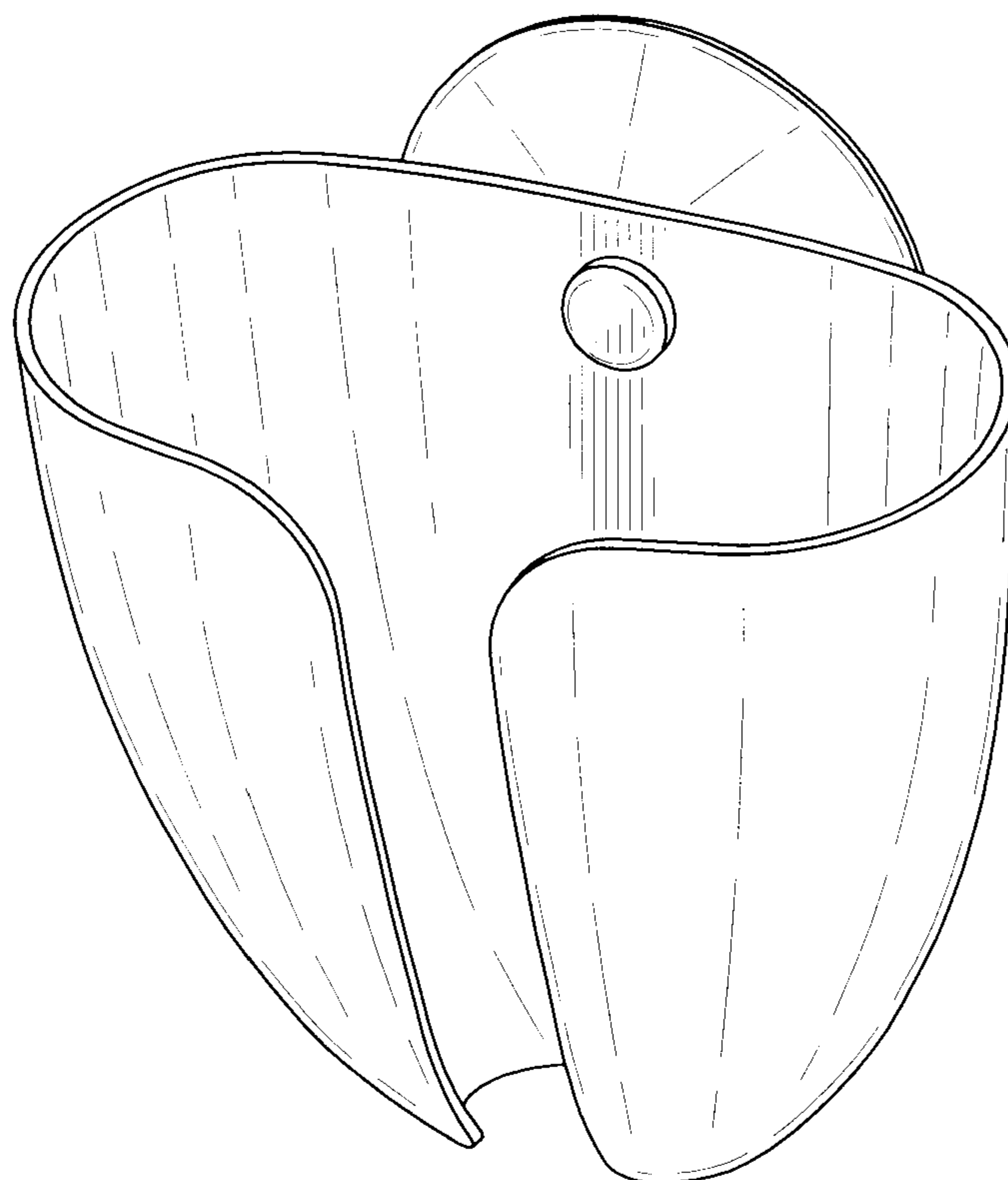
(56) **References Cited**

U.S. PATENT DOCUMENTS

- 4,530,479 A * 7/1985 Chen 206/77.1
- D354,873 S * 1/1995 Odbert D6/553
- D362,780 S * 10/1995 Hampshire D6/567
- D407,252 S 3/1999 Hampshire
- D409,426 S * 5/1999 Hampshire D6/553
- D419,808 S * 2/2000 Hampshire D6/553
- D481,894 S * 11/2003 Hunt D6/525
- D483,587 S * 12/2003 Snell D6/567

FIG. 1 is a perspective view of the suction soap holster according to the invention;
 FIG. 2 is a top view of the suction soap holster as shown in FIG. 1;
 FIG. 3 is a front view of the suction soap holster as shown in FIG. 1;
 FIG. 4 is a side view of the suction soap holster as shown in FIG. 1;
 FIG. 5 is a rear view of the suction soap holster as shown in FIG. 1;
 FIG. 6 is a side view of the suction soap holster as shown in FIG. 1, viewed from the opposite side of that shown in FIG. 4; and,
 FIG. 7 is a bottom view of the suction soap holster as shown in FIG. 1.

1 Claim, 3 Drawing Sheets



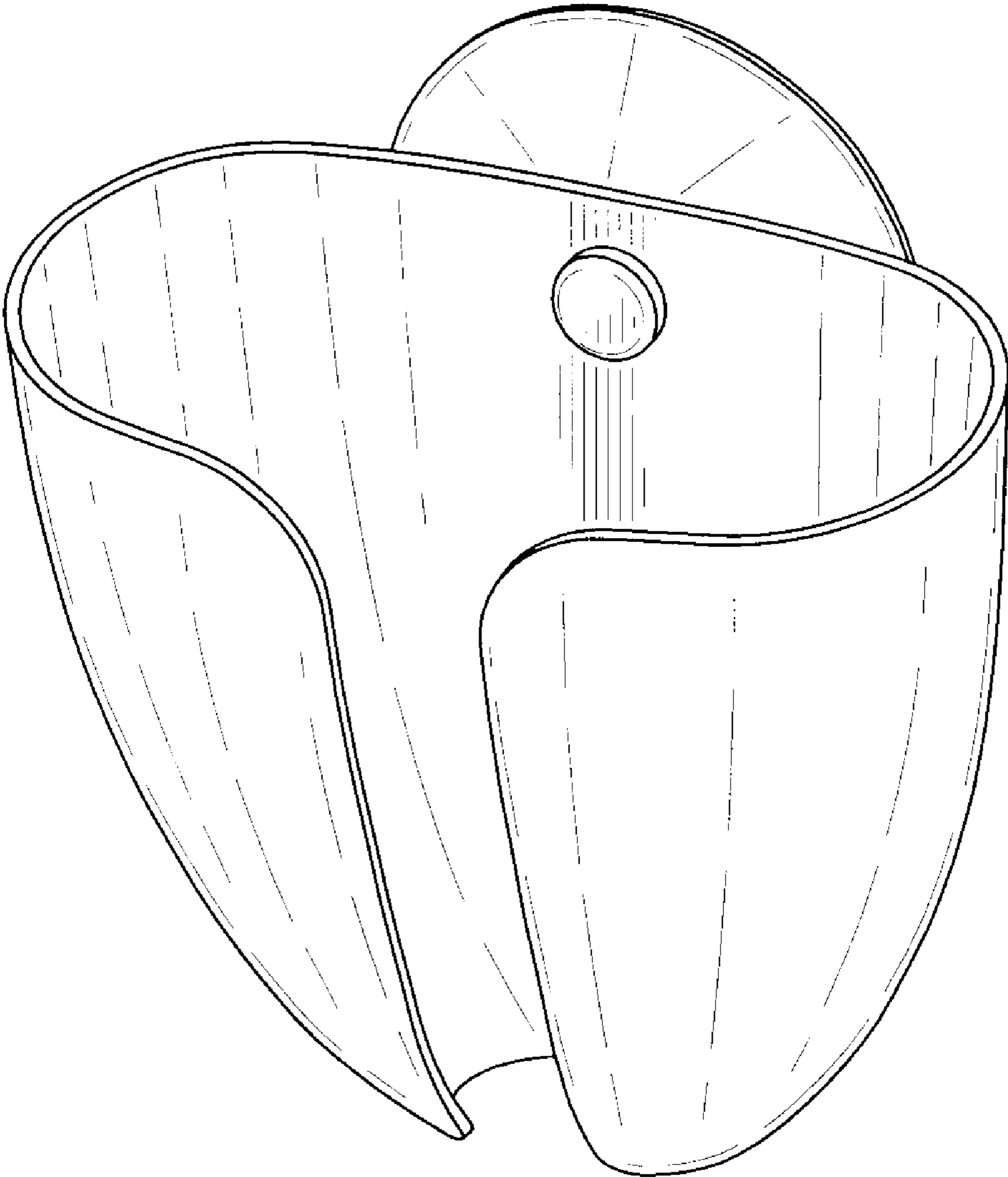


FIG-1

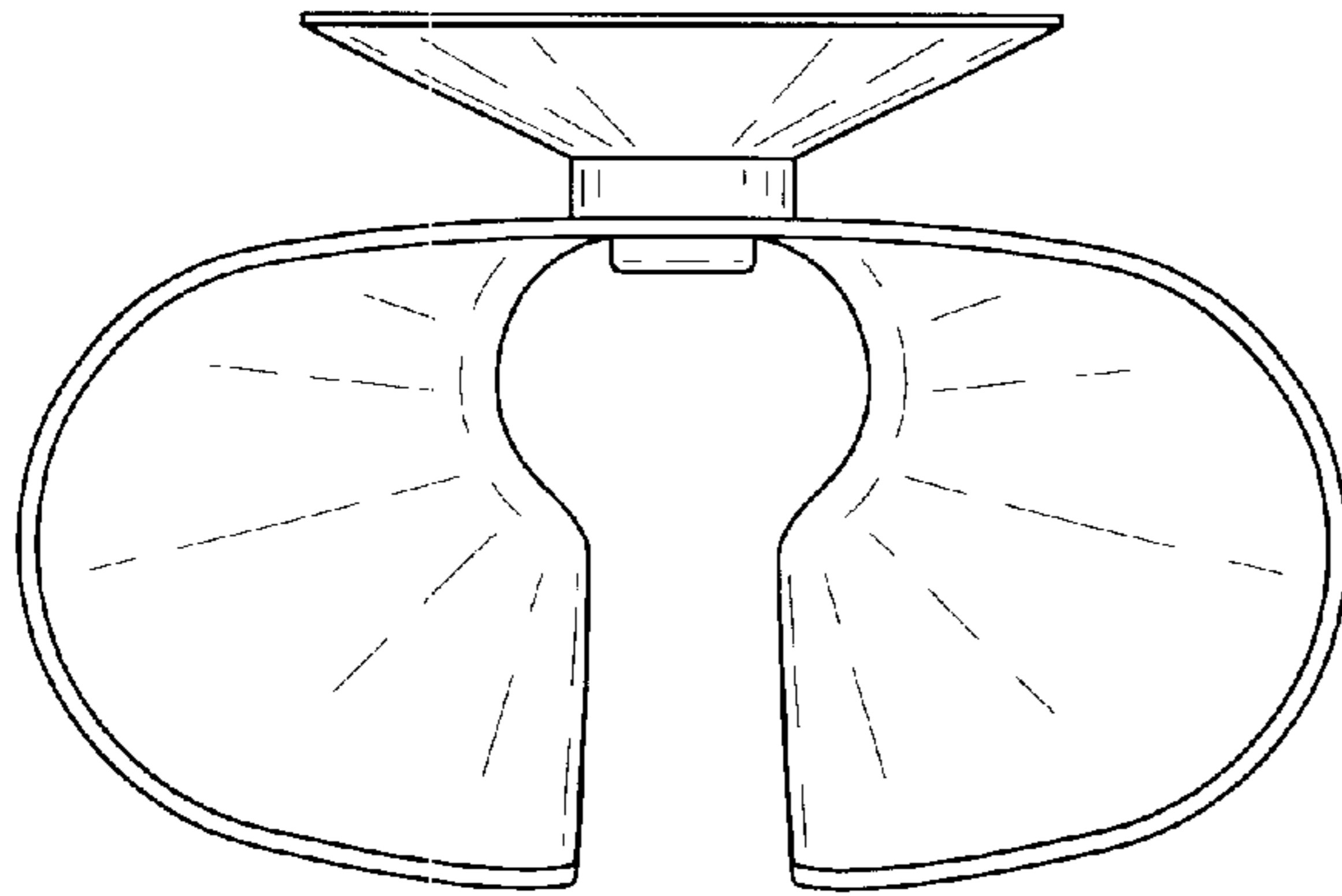


FIG-2

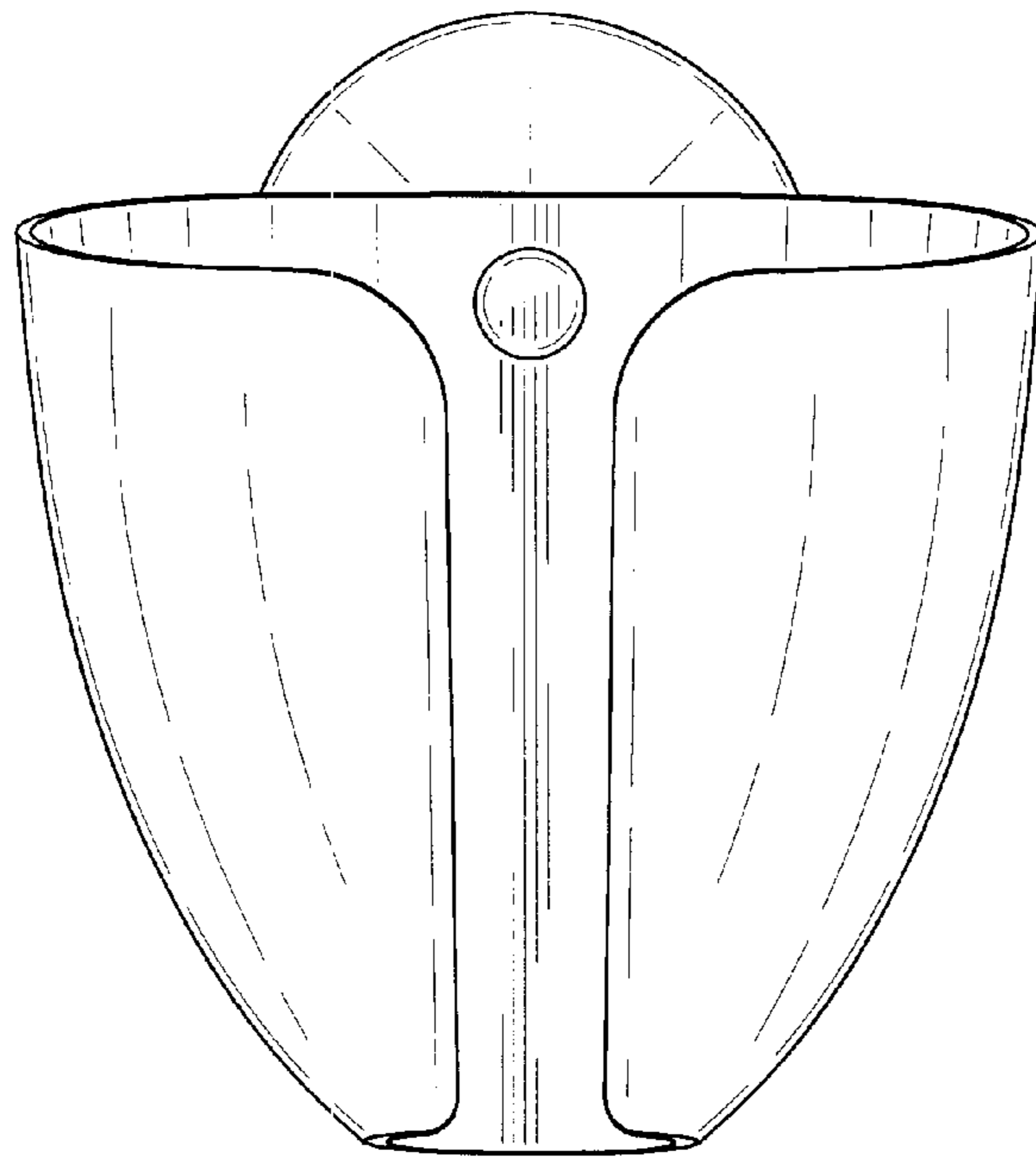


FIG-3

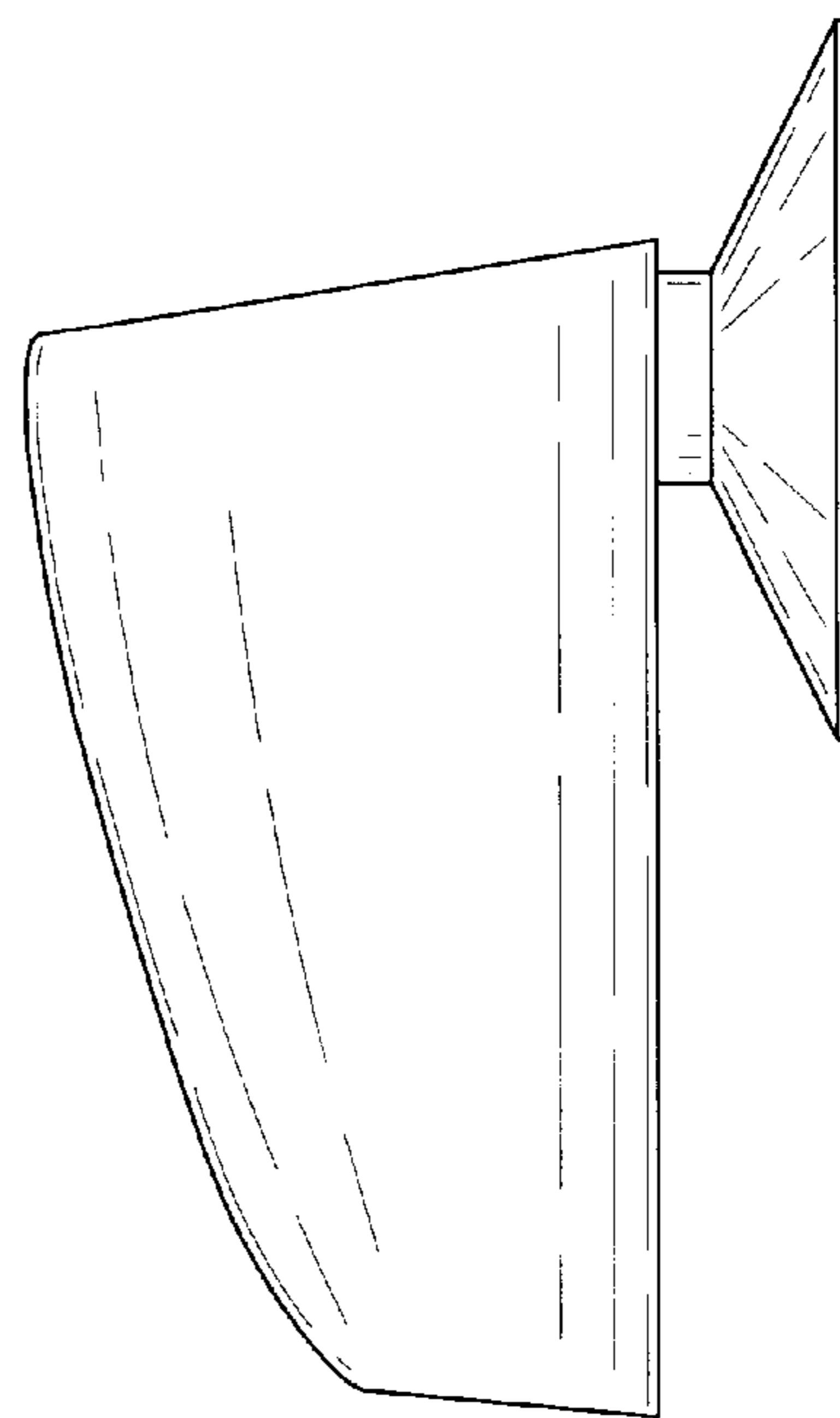


FIG-4

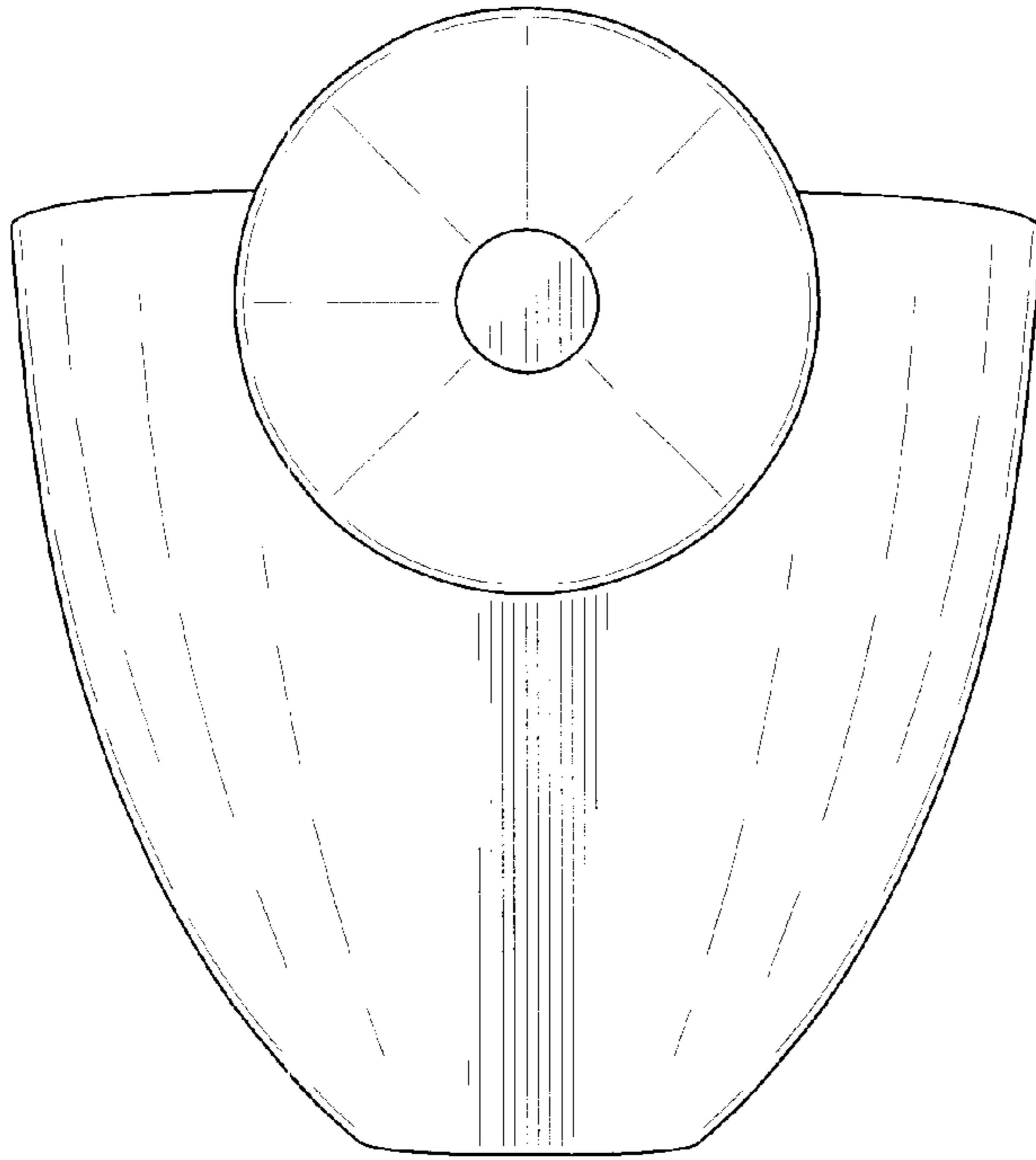


FIG-5

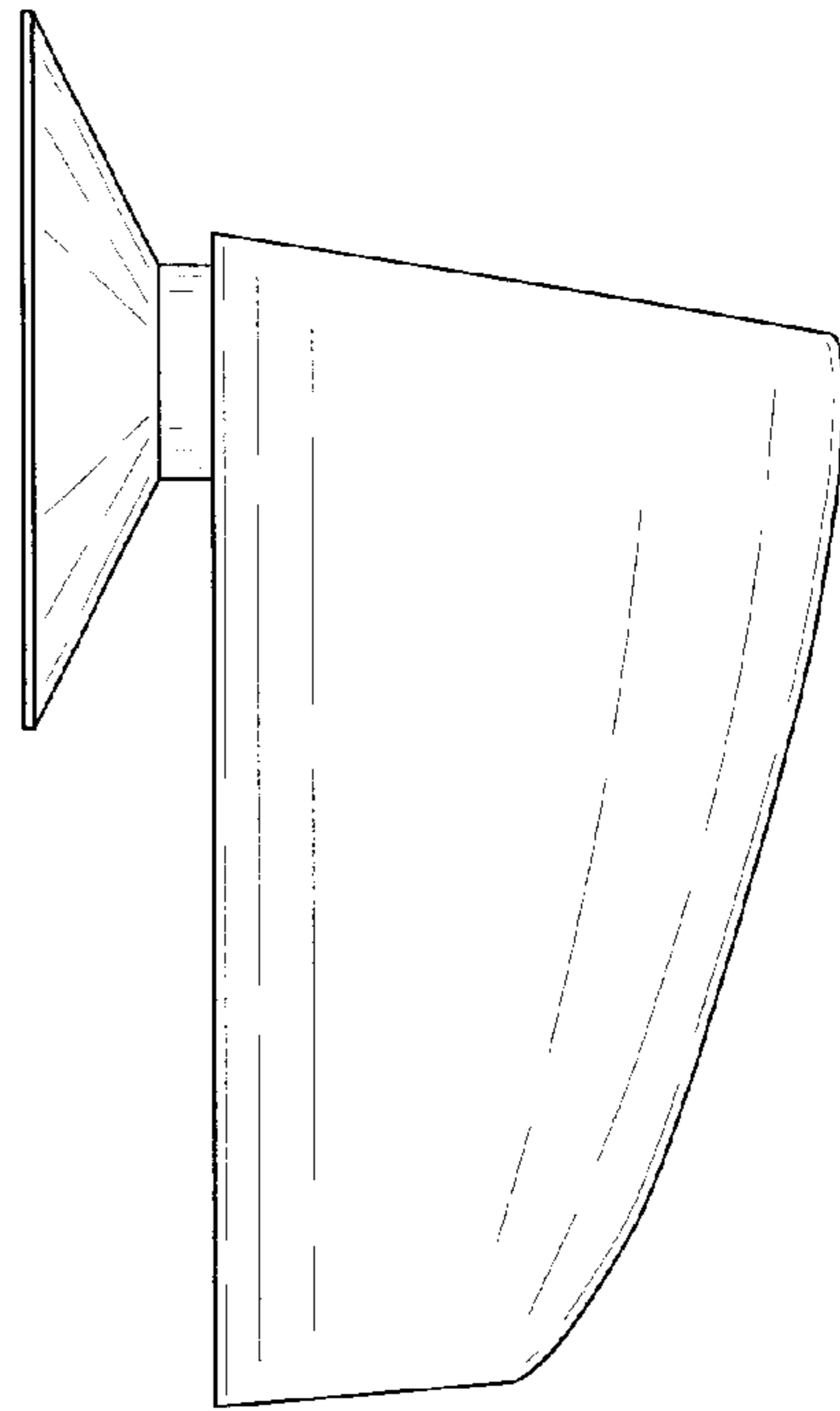


FIG-6

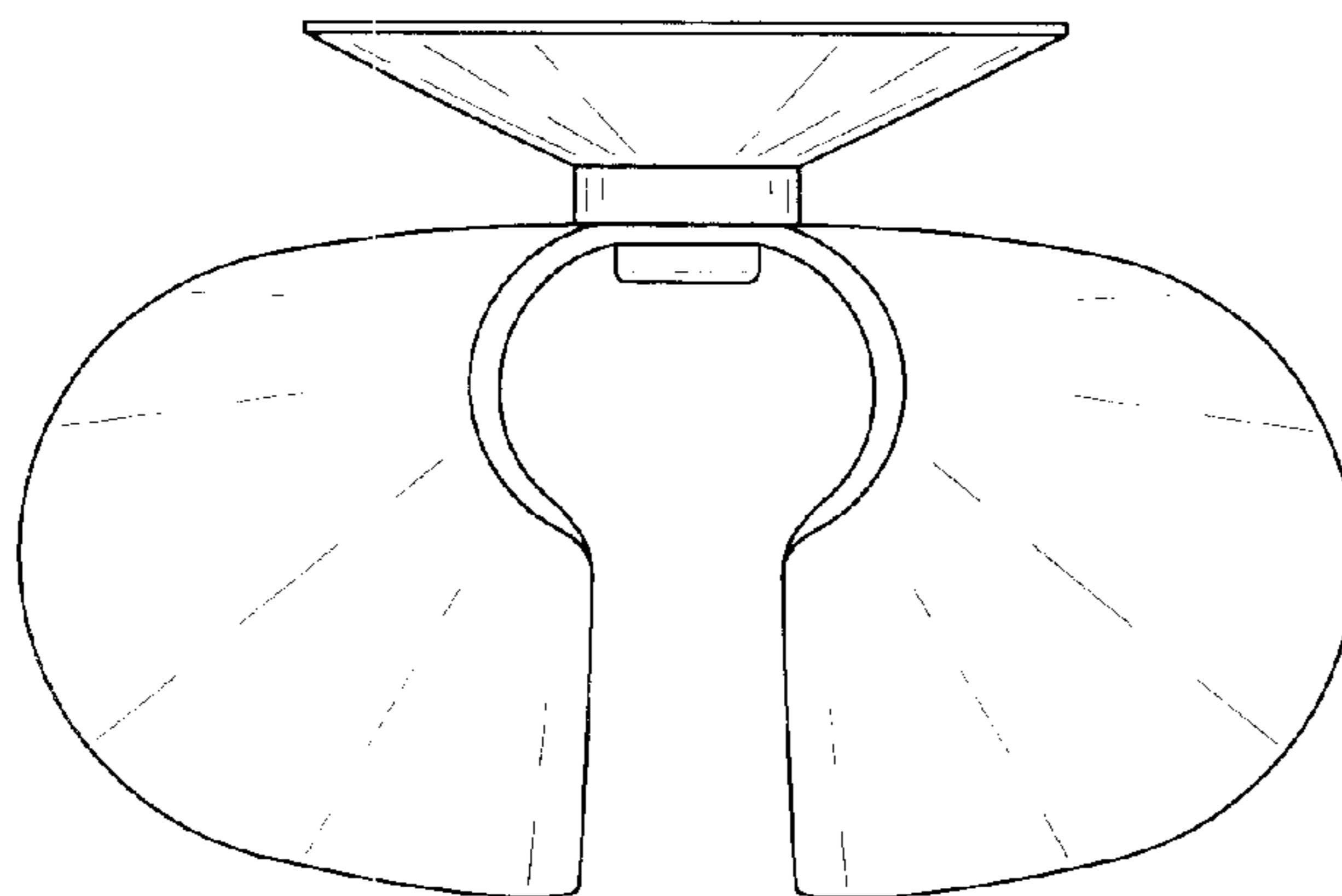


FIG-7