



US00D532638S

(12) **United States Design Patent**
Berberet et al.

(10) **Patent No.:** **US D532,638 S**

(45) **Date of Patent:** **** Nov. 28, 2006**

(54) **WALL MOUNTABLE ACCESSORY**

(75) Inventors: **Suzanne M. Berberet**, Sheboygan, WI (US); **John K. Blomstrom**, Sheboygan Falls, WI (US)

(73) Assignee: **Kohler Co.**, Kohler, WI (US)

(**) Term: **14 Years**

(21) Appl. No.: **29/205,838**

(22) Filed: **May 21, 2004**

(51) **LOC (8) Cl.** **06-04**

(52) **U.S. Cl.** **D6/550**

(58) **Field of Classification Search** D6/546–550,
D6/518–523; D8/300, 303, 315–321, 349,
D8/354, 363, 373, 380; 108/28–29; 248/175,
248/176.1, 251, 302, 309.1; 16/110.1, 412,
16/415; 242/570, 590, 595–598; 211/13.1,
211/16, 60.1, 100, 86.01, 87.01, 88.01, 88.04,
211/105.1–105.2, 123, 182, 181.1

See application file for complete search history.

(56) **References Cited**

U.S. PATENT DOCUMENTS

| | | | | | |
|------------|---|---------|------------|-------|--------|
| D416,419 S | * | 11/1999 | Chen | | D6/550 |
| D451,324 S | * | 12/2001 | Lai | | D6/524 |
| D452,400 S | * | 12/2001 | Chen | | D6/524 |
| D488,943 S | * | 4/2004 | Bates | | D6/524 |
| D517,359 S | * | 3/2006 | Berberet | | D6/550 |
| D520,790 S | * | 5/2006 | Chen | | D6/550 |
| D522,786 S | * | 6/2006 | Chu et al. | | D6/550 |

OTHER PUBLICATIONS

Kohler Catalog, p. 57, Fairfax—Accessories, H. Fairfax Soap Dish.

Kohler Catalog, Soap Dish.

Kohler Catalog, escutcheon and bent support structure (valve handle) similar to that used to support soap dish support.

* cited by examiner

Primary Examiner—Brian N Vinson

(74) *Attorney, Agent, or Firm*—Quarles & Brady LLP

(57) **CLAIM**

The ornamental design for a wall mountable accessory, as shown and described.

DESCRIPTION

In a preferred embodiment, the nature of this product is as an accessory in the form of a shelf, glass holder, soap dish, towel hook, towel bar, robe hook or toilet paper holder, which is primarily useful for mounting to a wall to hold common bathroom items.

FIG. 1 is a left, top, front perspective view of a wall mountable accessory embodying our new design;

FIG. 2 is a front elevational view thereof;

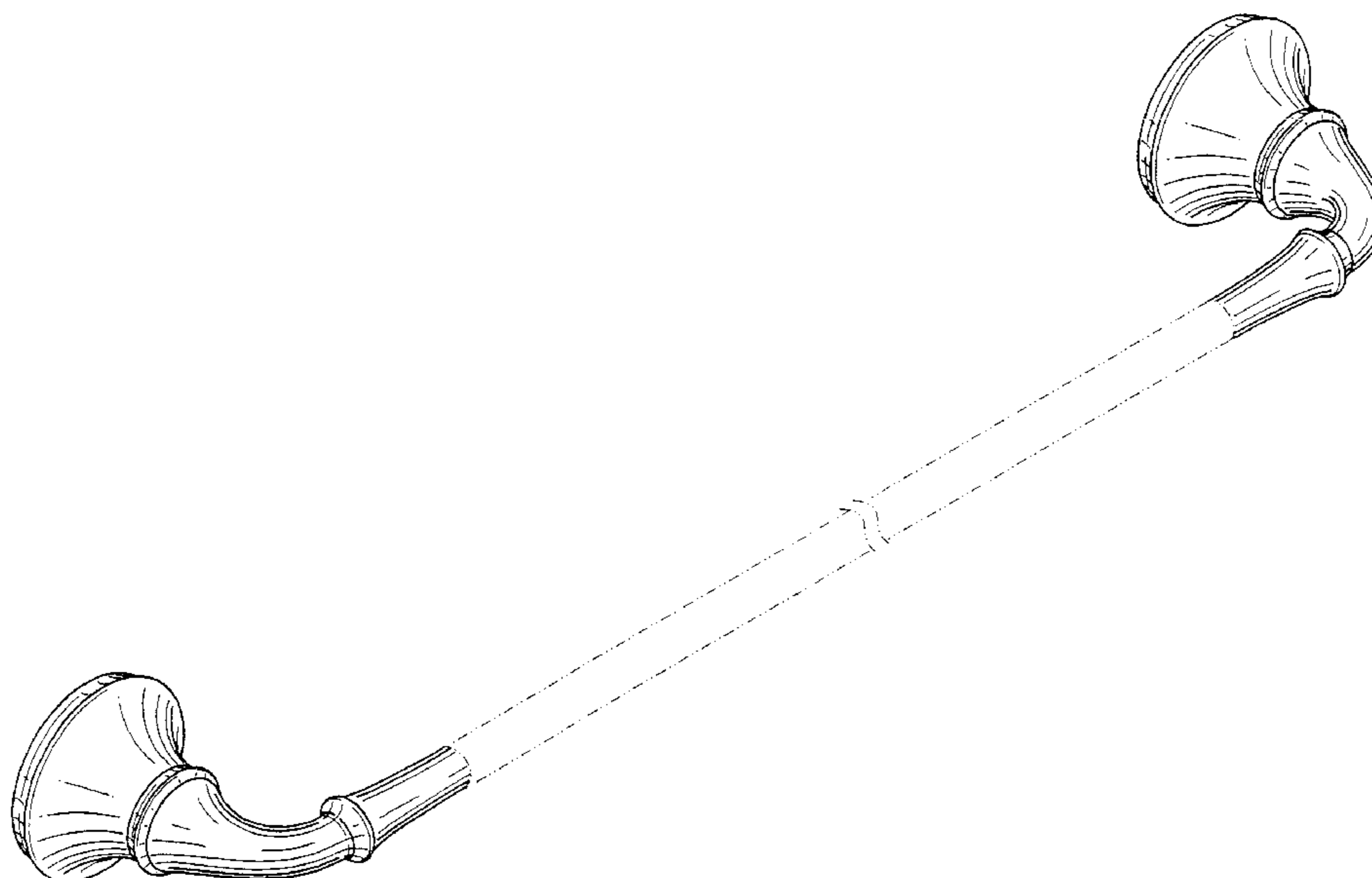
FIG. 3 is a top plan view thereof, the bottom plan view being a mirror image of the top shown;

FIG. 4 is left side elevational view thereof, the right side elevational view being a mirror image of the left side shown; and,

FIG. 5 is a rear elevational view thereof.

The broken line representations of bar environment in FIGS. 1, 2, 3 and 5 are for the purpose of illustration only, and form no part of the claimed design.

1 Claim, 2 Drawing Sheets



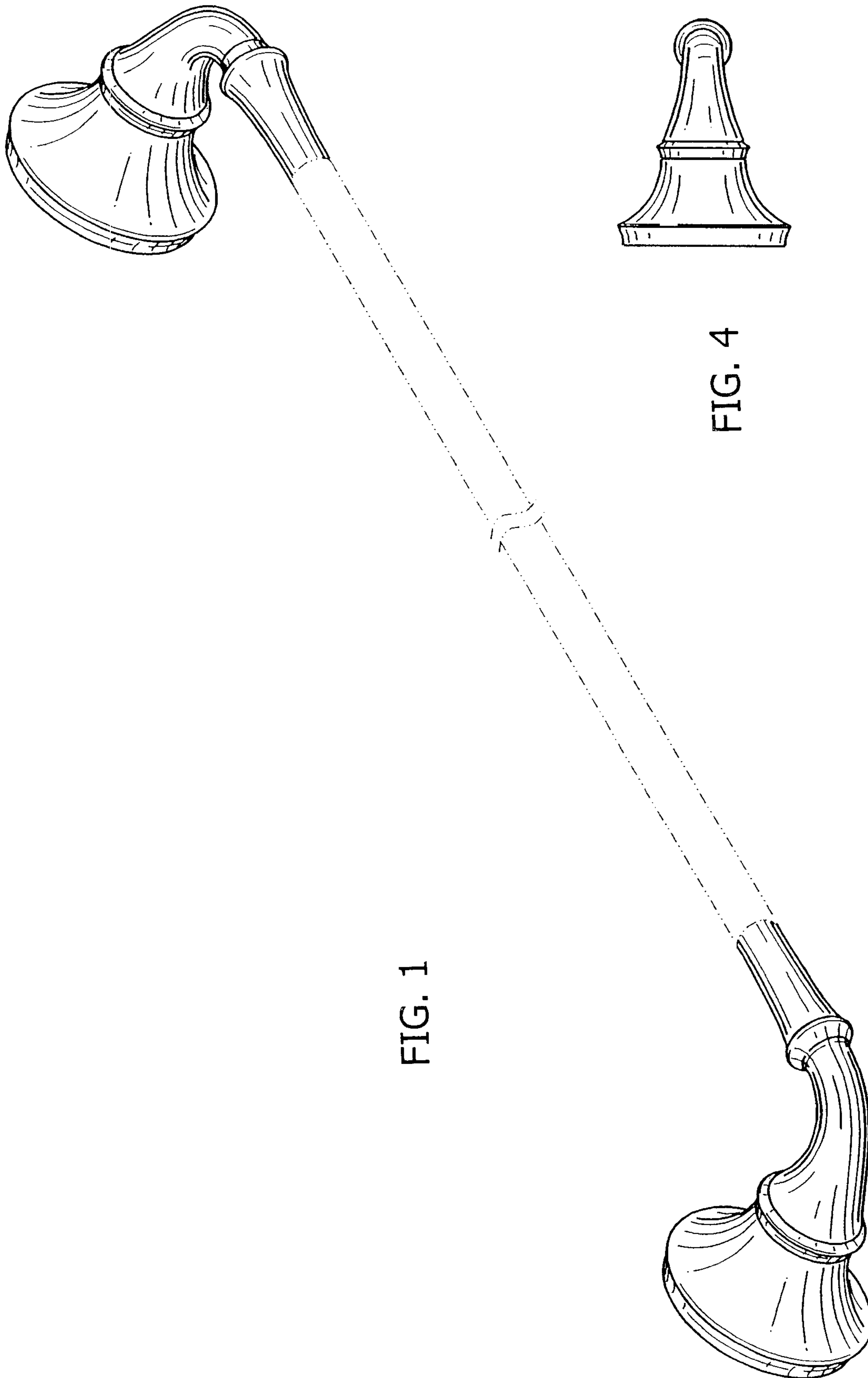


FIG. 1

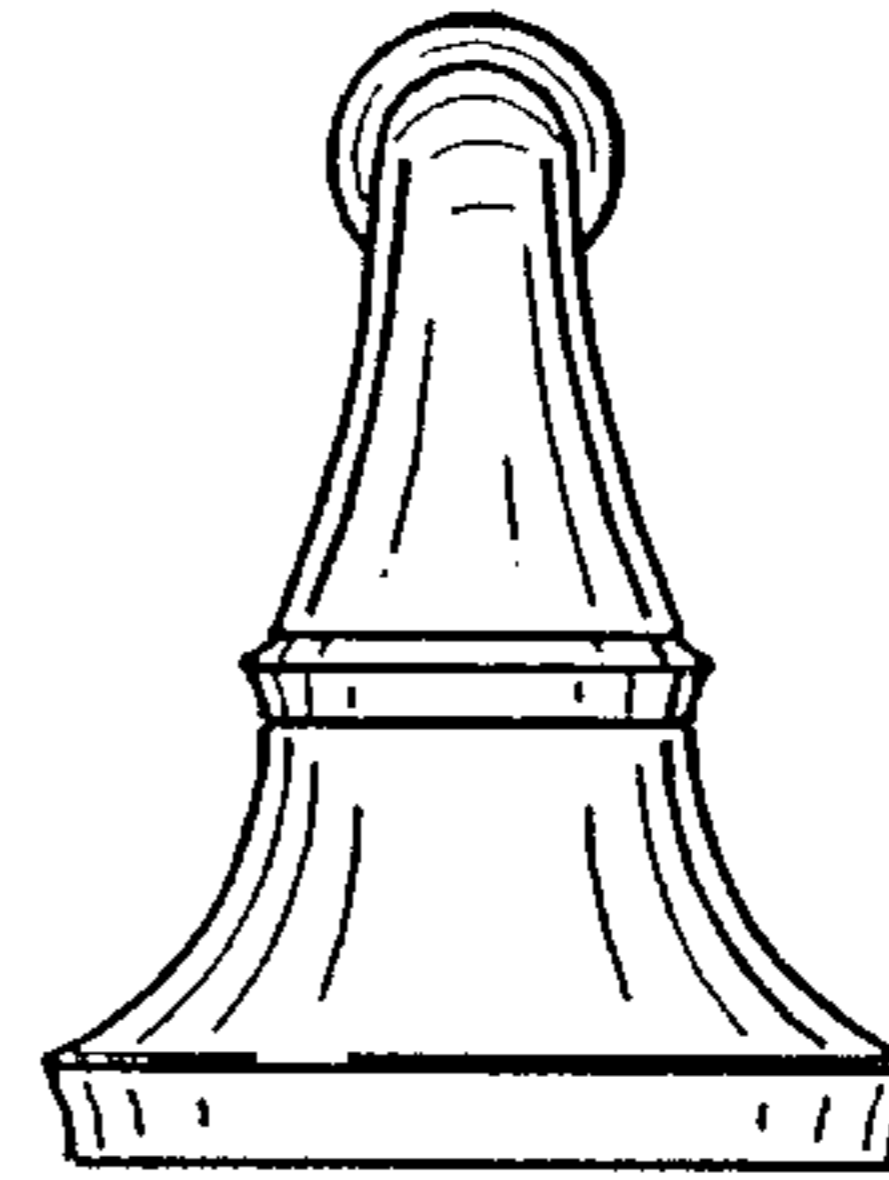


FIG. 4

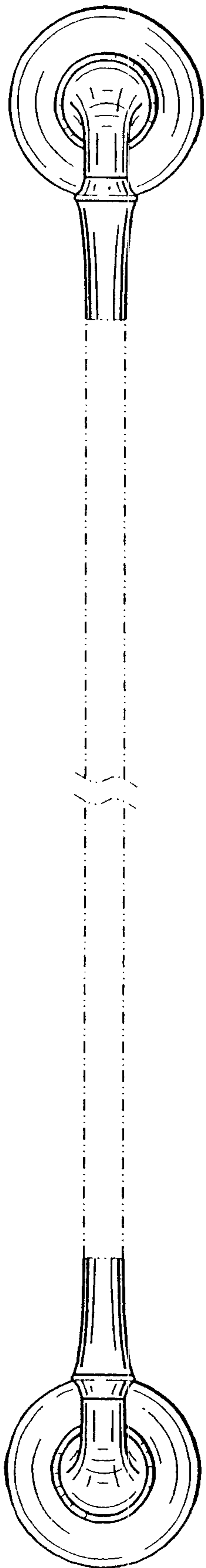


FIG. 2

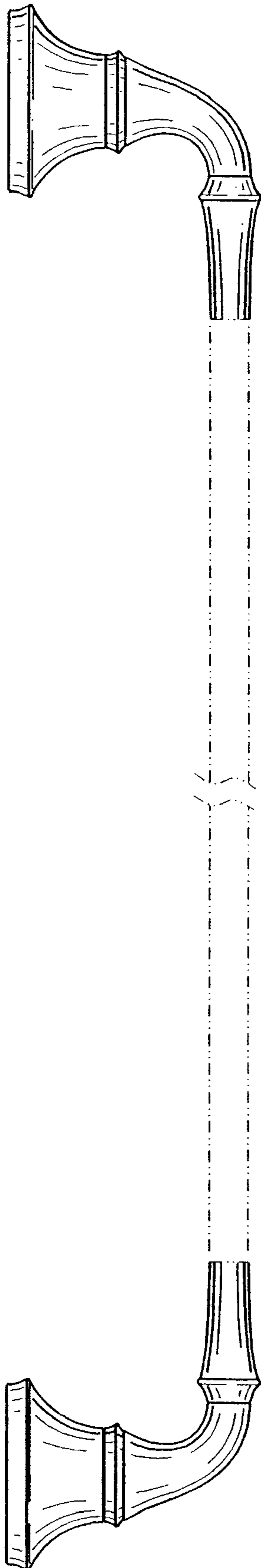


FIG. 3

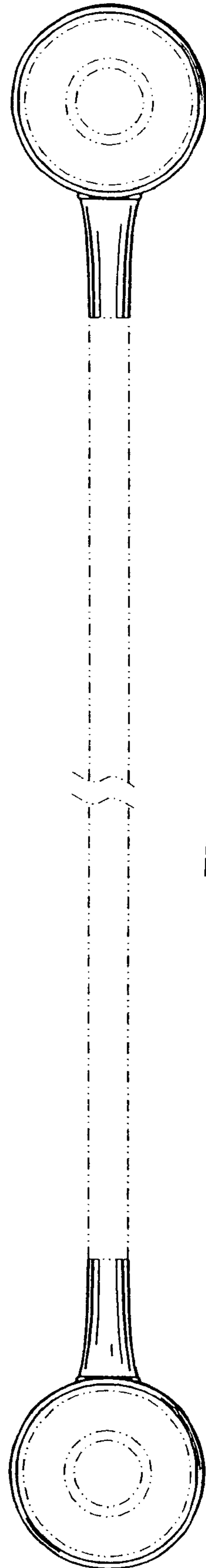


FIG. 5