



US00D532636S

(12) **United States Design Patent**
Thorsteinsson et al.

(10) **Patent No.:** **US D532,636 S**

(45) **Date of Patent:** **** Nov. 28, 2006**

(54) **WALL MOUNTABLE WIRE SOAP DISH**

(75) Inventors: **Sigurdur Thorsteinsson**, Milan (IT);
Christopher J. Miller, Milan (IT);
Peter J. Newbould, Milan (IT);
Pasquale Cirulli, Milan (IT)

(73) Assignee: **3M Innovative Properties Company**,
St. Paul, MN (US)

(**) Term: **14 Years**

(21) Appl. No.: **29/253,112**

(22) Filed: **Feb. 1, 2006**

(51) **LOC (8) Cl.** **23-02**

(52) **U.S. Cl.** **D6/540**

(58) **Field of Classification Search** D6/529,
D6/536-540; D7/502, 550, 554.2, 56; 206/77.1,
206/557, 587, 823; 211/13.1, 85.4, 85.12;
D9/682, 690, 692

See application file for complete search history.

(56) **References Cited**

U.S. PATENT DOCUMENTS

D349,206 S * 8/1994 Fischer et al. D6/536

D433,858 S * 11/2000 Gastelum et al. D6/540
D435,992 S * 1/2001 Min-Tsung D6/540
D468,144 S * 1/2003 Shayo D6/537
D480,585 S 10/2003 Johansson et al.
6,669,033 B1 * 12/2003 Lian D6/540
D496,816 S * 10/2004 Hoernig D6/540
D512,862 S * 12/2005 Hoernig D6/540

* cited by examiner

Primary Examiner—Brian N Vinson

(74) *Attorney, Agent, or Firm*—David B. Patchett

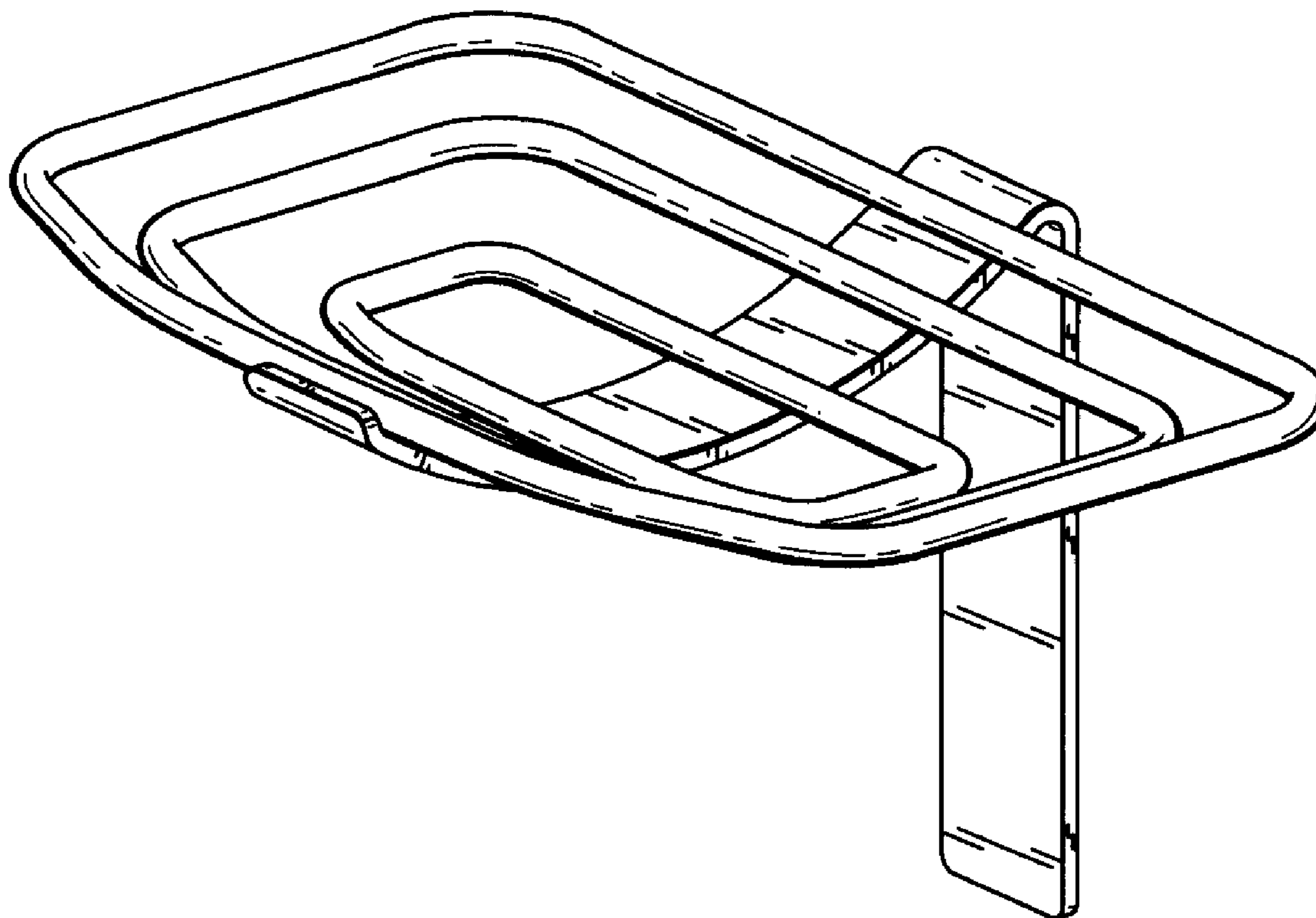
(57) **CLAIM**

The ornamental design for a wall mountable wire soap dish,
as shown and described.

DESCRIPTION

FIG. 1 is a perspective view of a wall mountable wire soap
dish showing the new design;
FIG. 2 is a top view thereof;
FIG. 3 is a bottom view thereof;
FIG. 4 is a front view thereof;
FIG. 5 is a rear view thereof; and,
FIG. 6 is a side view thereof, the opposite side view thereof
being a mirror image of the side view shown.

1 Claim, 2 Drawing Sheets



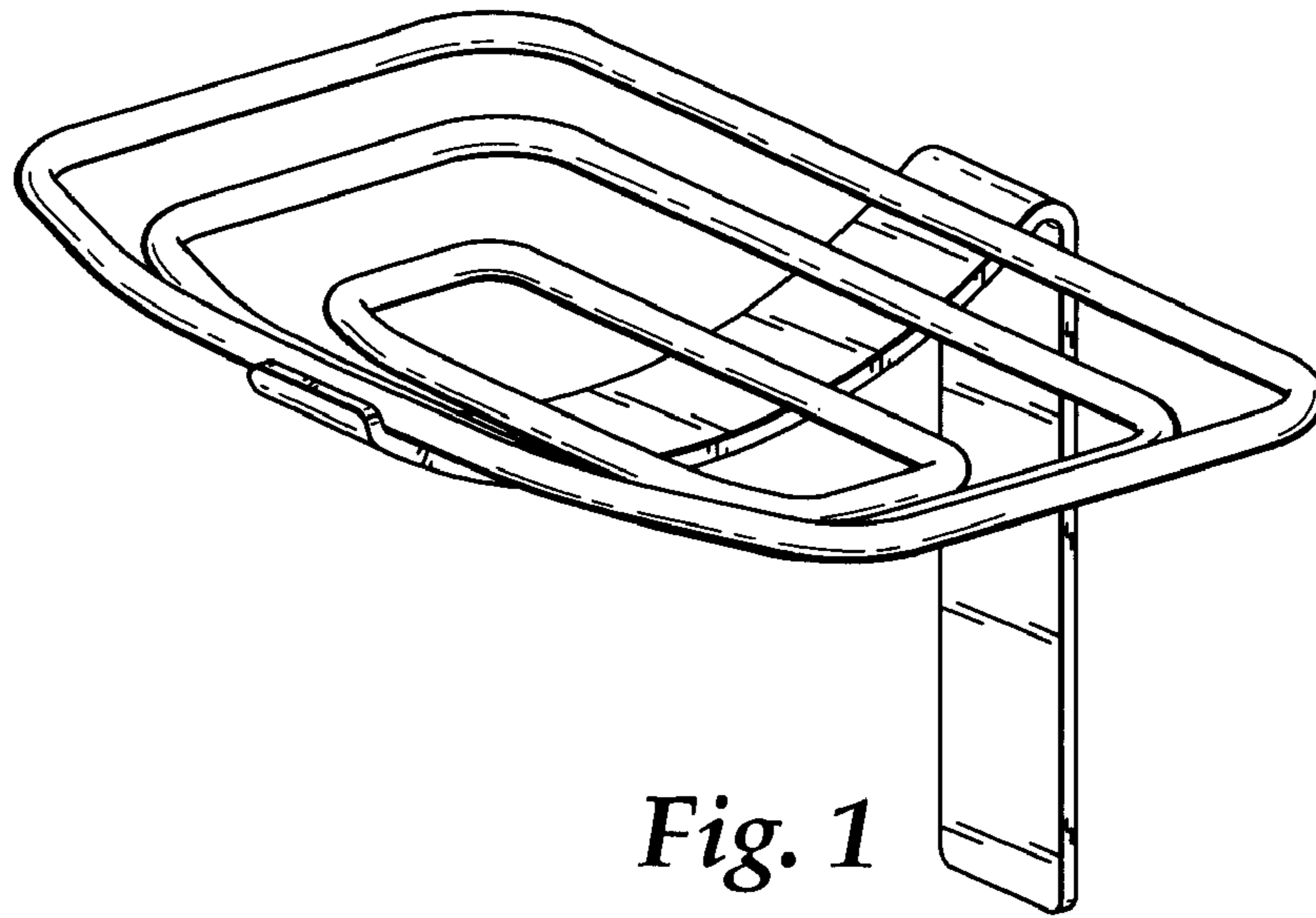


Fig. 1

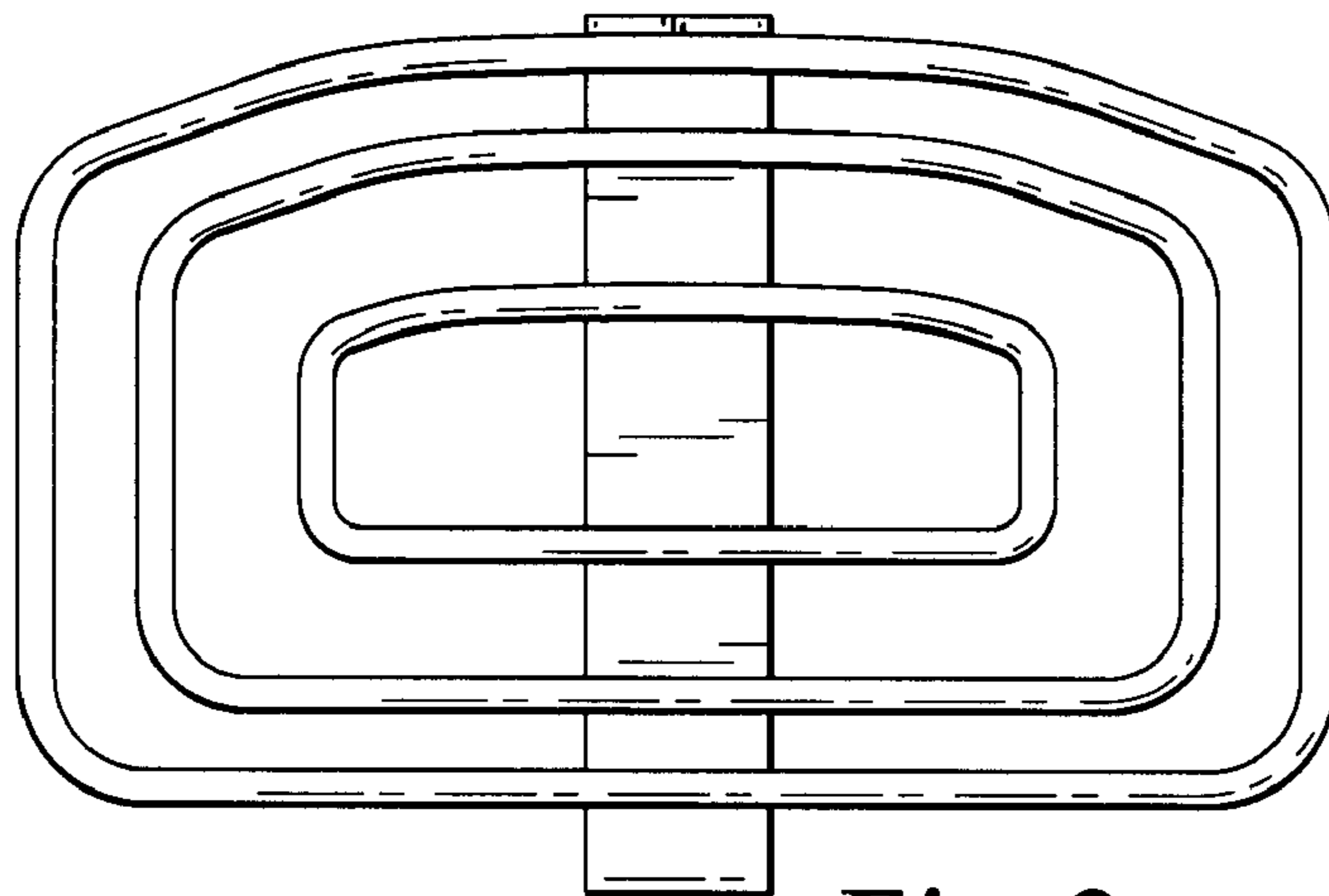


Fig. 2

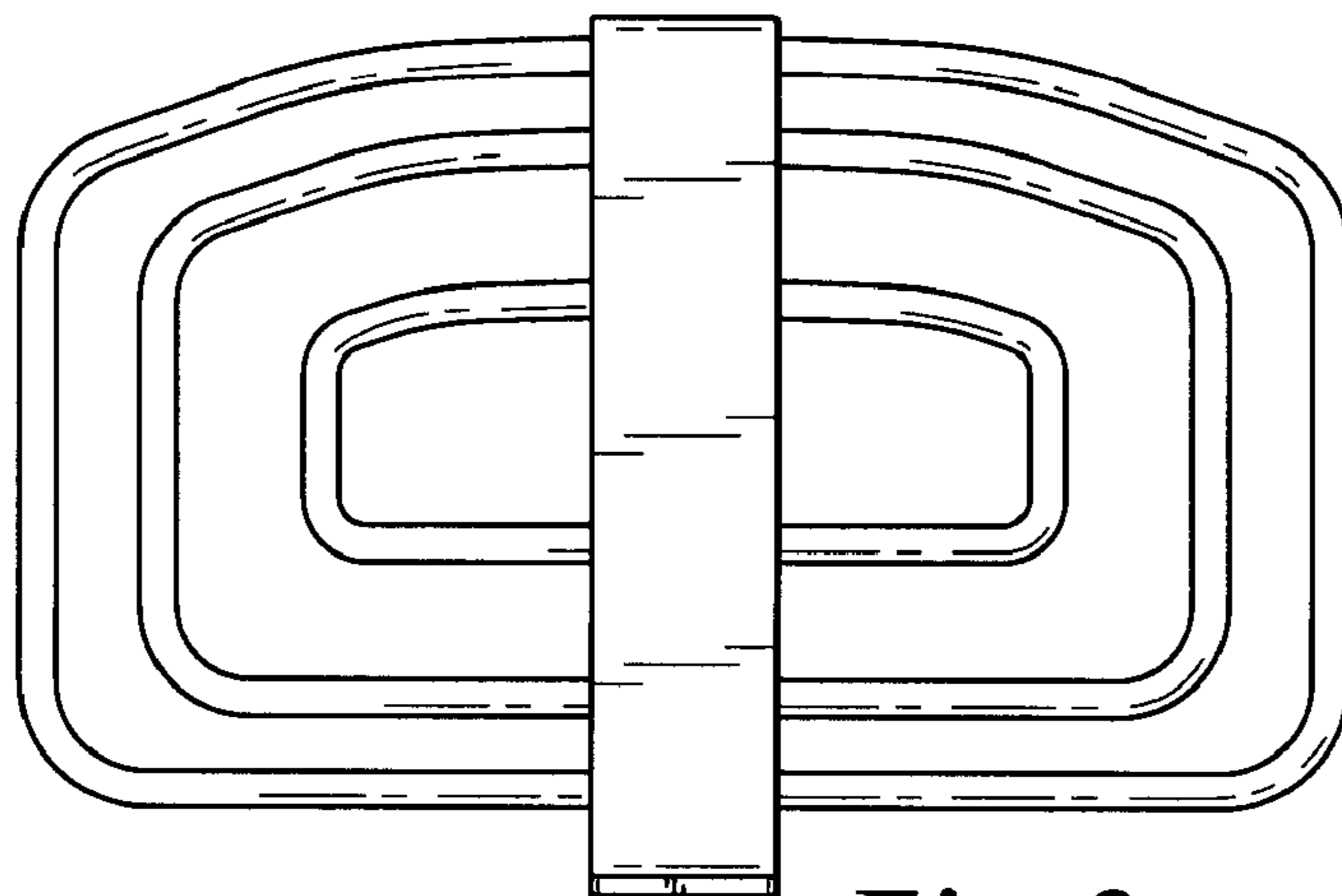


Fig. 3

