

US00D532634S

(12) **United States Design Patent**
Nagoya

(10) **Patent No.:** **US D532,634 S**

(45) **Date of Patent:** **** Nov. 28, 2006**

(54) **SOAP HOLDER**

(75) Inventor: **Yoshiki Nagoya**, Tokyo (JP)

(73) Assignee: **Marna Inc.**, Tokyo (JP)

(**) Term: **14 Years**

(21) Appl. No.: **29/244,735**

(22) Filed: **Dec. 14, 2005**

(30) **Foreign Application Priority Data**

Aug. 3, 2005 (JP) 2005-022558

(51) **LOC (8) Cl.** **23-02**

(52) **U.S. Cl.** **D6/536**

(58) **Field of Classification Search** D6/529,
D6/536-540; D7/502, 550, 554.2, 56; 206/77.1,
206/557, 587, 823; 211/13.1, 85.4, 85.12;
D9/682, 690, 692

See application file for complete search history.

(56) **References Cited**

U.S. PATENT DOCUMENTS

D212,335 S * 10/1968 Schwartz D6/536

D285,996 S * 10/1986 Bussell D6/536
D351,304 S * 10/1994 Glass D6/536
D377,028 S * 12/1996 Monday D6/536
D432,835 S * 10/2000 de Baschmakoff D6/536
D452,098 S * 12/2001 Zetsche D6/540
D512,862 S * 12/2005 Hoernig D6/540

* cited by examiner

Primary Examiner—Brian N Vinson

(74) *Attorney, Agent, or Firm*—Wenderoth, Lind & Ponack,
L.L.P.

(57) **CLAIM**

The original design for soap holder, as shown.

DESCRIPTION

FIG. 1 is a perspective view of the soap holder showing my new design;

FIG. 2 is a front elevational view thereof;

FIG. 3 is a top plan view thereof;

FIG. 4 is a right side elevational view thereof;

FIG. 5 is a left side elevational view thereof;

FIG. 6 is a bottom plan view thereof; and,

FIG. 7 is an elevational section view thereof.

1 Claim, 4 Drawing Sheets

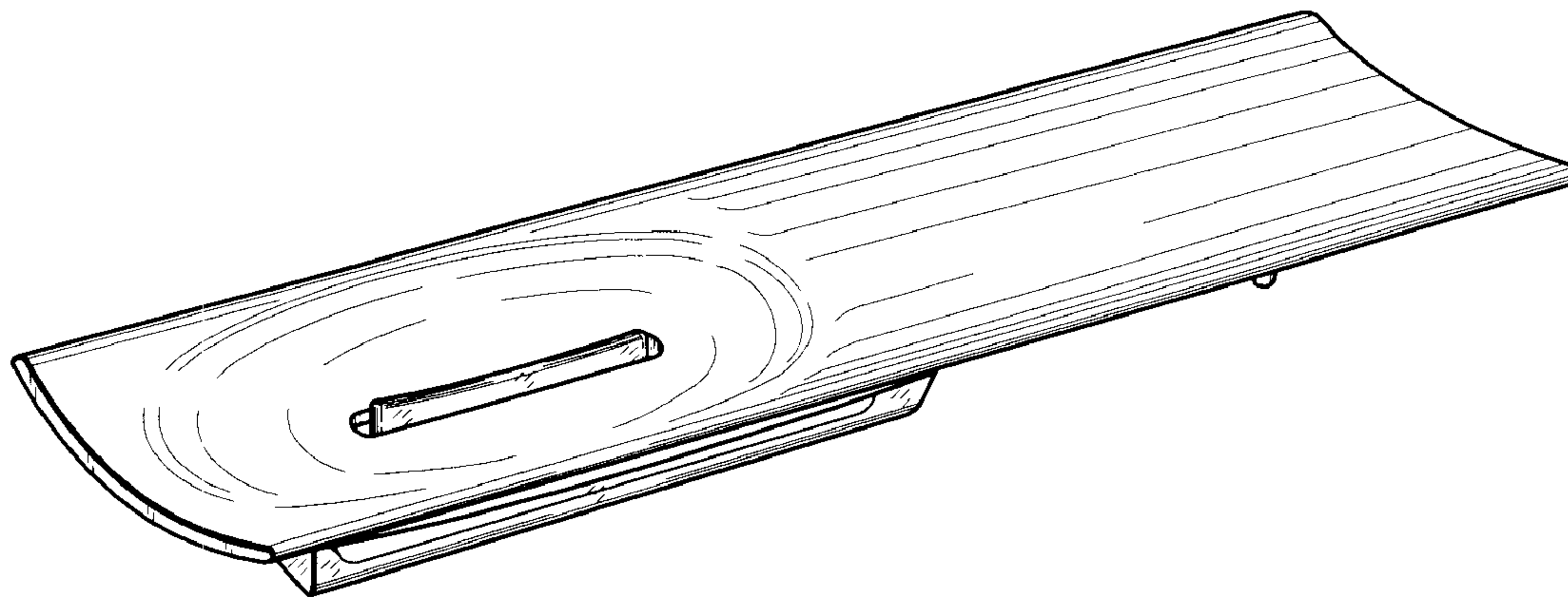


Fig. 1

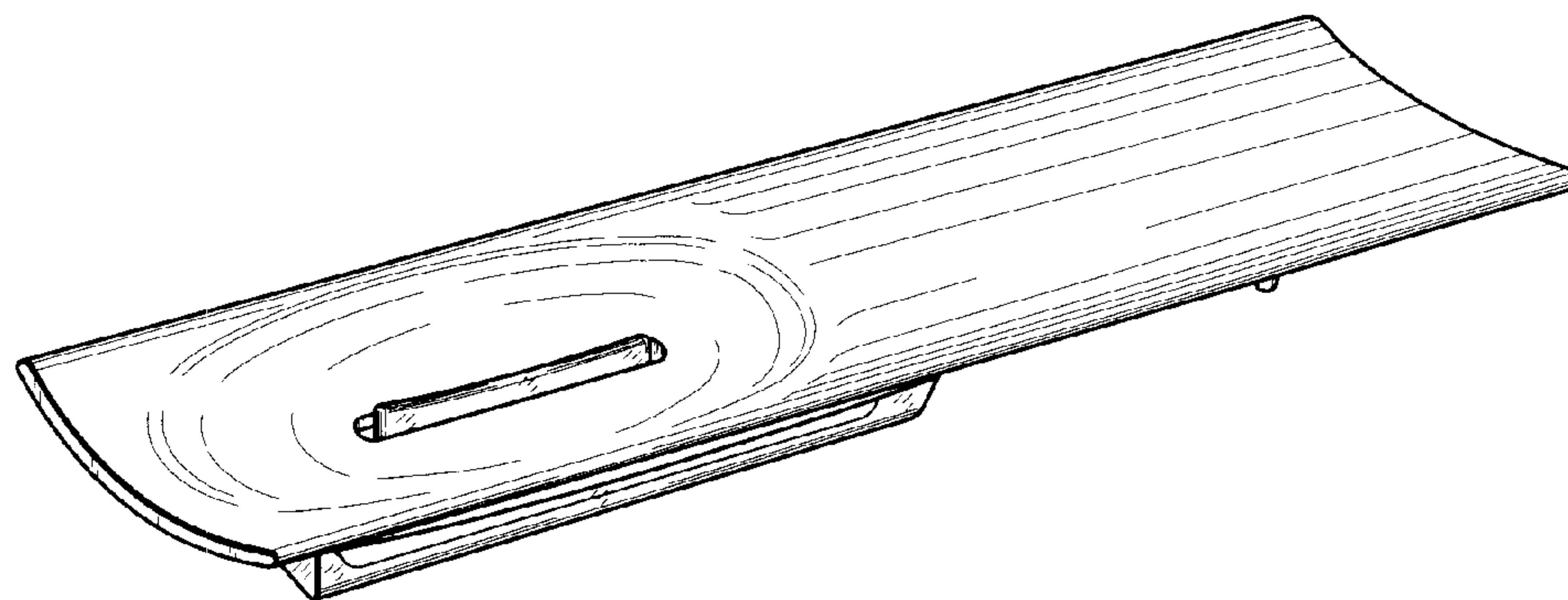


Fig. 2

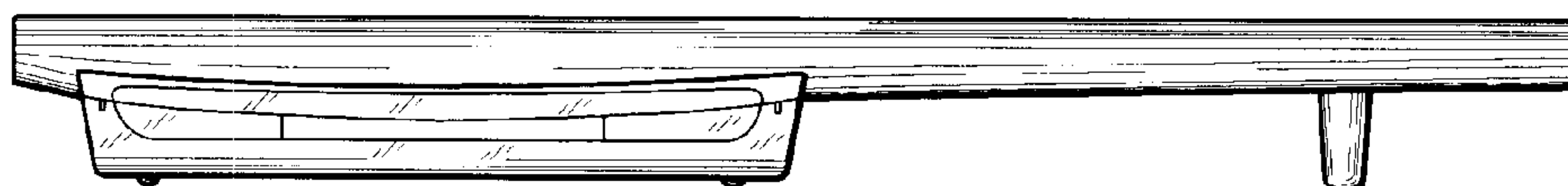


Fig. 3

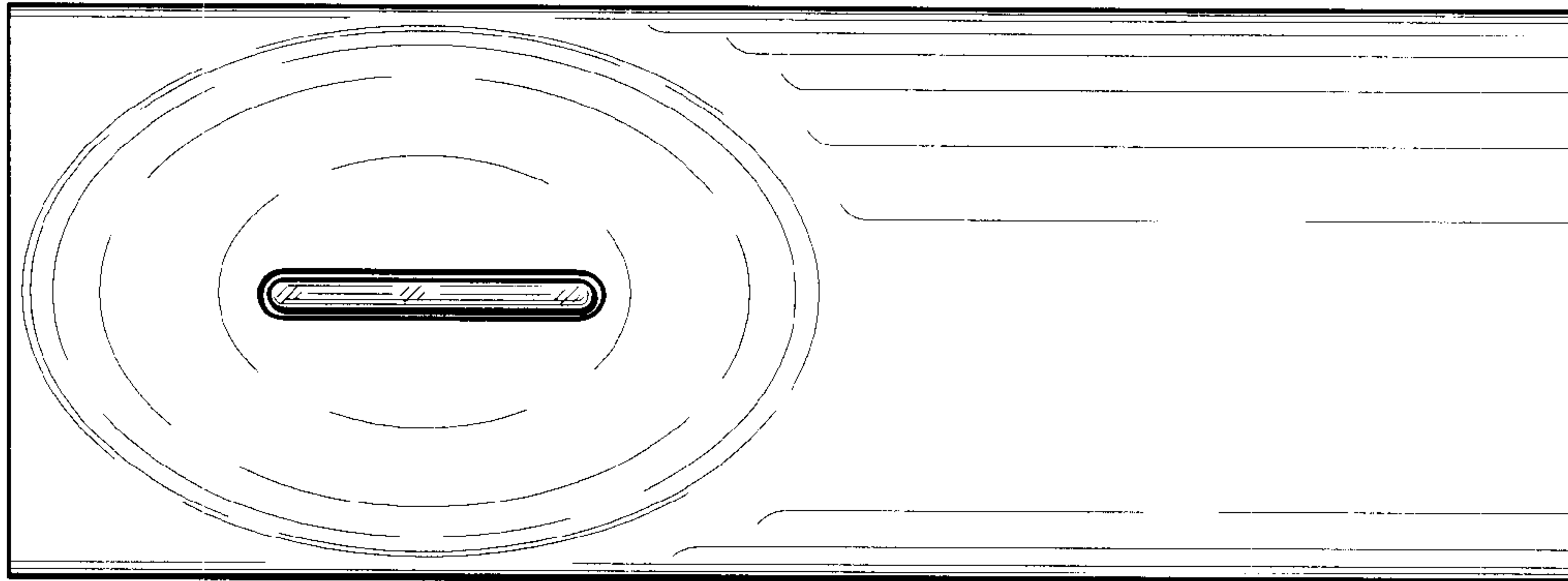


Fig. 4

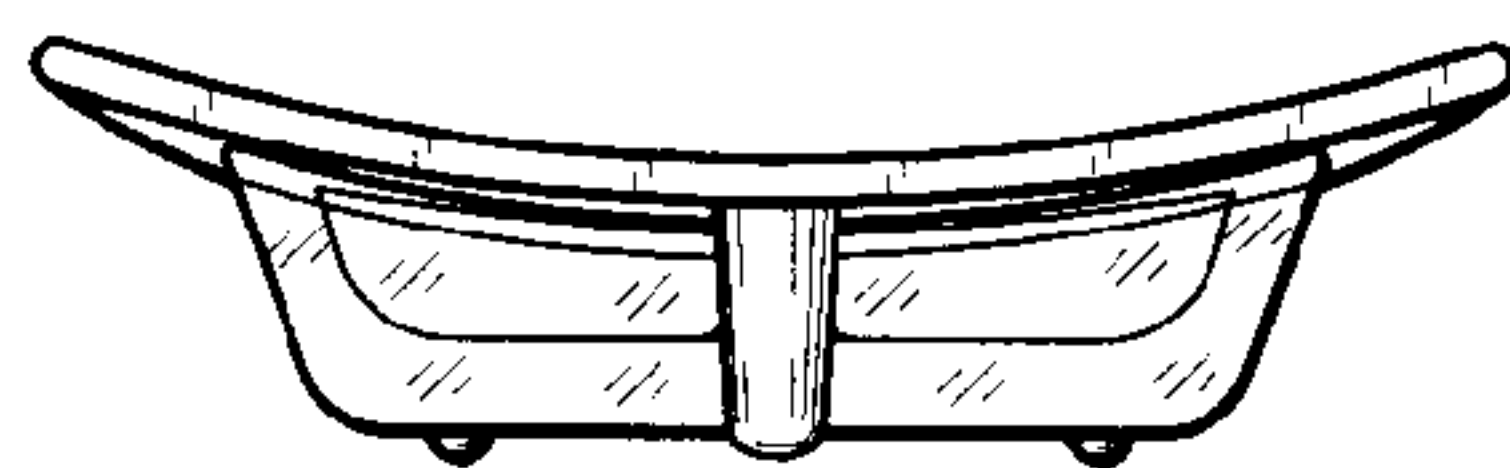


Fig. 5



Fig. 6

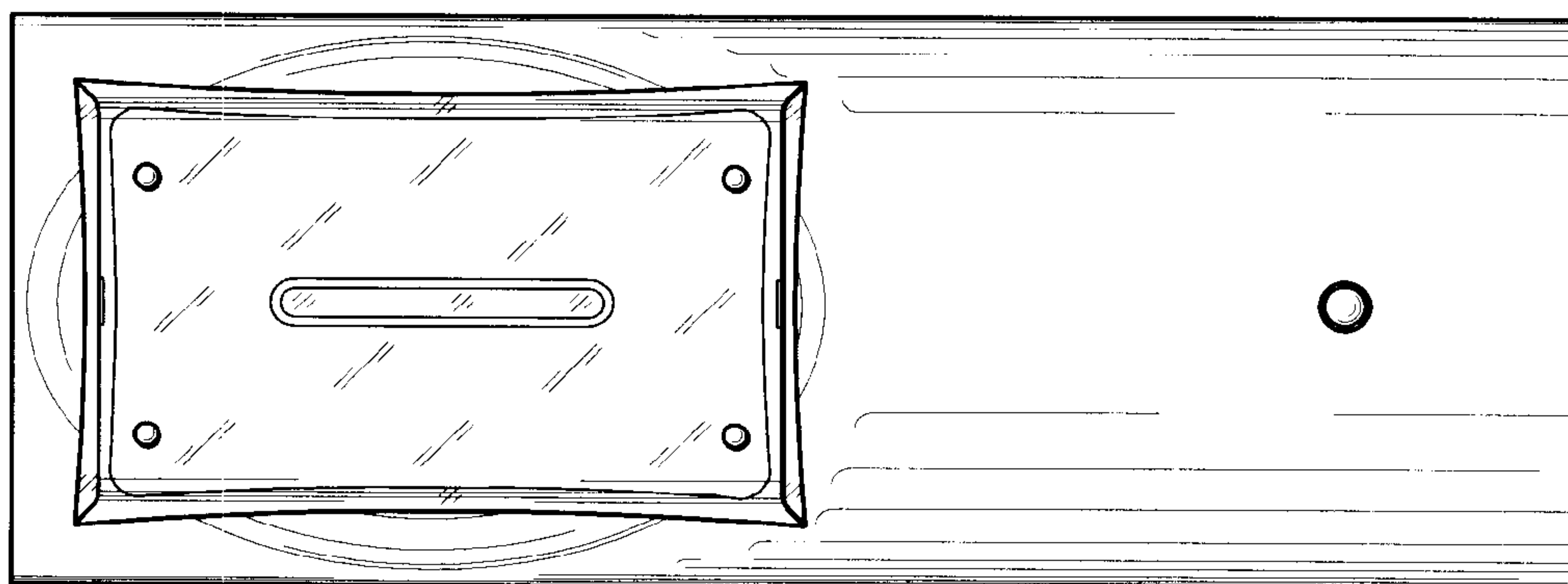


Fig. 7

