



US00D532628S

(12) **United States Design Patent**
Egger

(10) **Patent No.:** **US D532,628 S**

(45) **Date of Patent:** **** Nov. 28, 2006**

(54) **SEAT AND BACK REST FOR A CHAIR**

(75) Inventor: **Julien Egger**, Santa Monica, CA (US)

(73) Assignee: **True Seating Concepts, LLC** (MU)

(**) Term: **14 Years**

(21) Appl. No.: **29/236,034**

(22) Filed: **Aug. 11, 2005**

(51) **LOC (8) Cl.** **06-01**

(52) **U.S. Cl.** **D6/500; D6/366**

(58) **Field of Classification Search** D6/334-335,
D6/356, 364, 365, 366, 367, 368, 374, 500-502;
297/452.21, 452.24, 452.26, 452.32, 452.33,
297/452.37, 452.48

See application file for complete search history.

(56) **References Cited**

U.S. PATENT DOCUMENTS

D403,169 S	*	12/1998	Tseng	D6/366
D471,728 S	*	3/2003	Tseng	D6/366
D487,987 S	*	4/2004	Wu	D6/366
D491,398 S		6/2004	True		
D494,390 S		8/2004	True		
D494,391 S	*	8/2004	True	D6/500
D494,788 S	*	8/2004	True	D6/500
D504,040 S		4/2005	True		

D511,260 S	*	11/2005	True	D6/500
D518,319 S	*	4/2006	True	D6/500

* cited by examiner

Primary Examiner—Mimosa De

(74) *Attorney, Agent, or Firm*—Morland C. Fischer

(57) **CLAIM**

The ornamental design for a seat and back rest for a chair, as shown and described.

DESCRIPTION

FIG. 1 is a perspective view showing the top, left side and front of a seat and back rest for a chair which forms my new design, the broken lines of other parts of the chair in this and other figures being for illustrative purposes only and forming no part of my design;

FIG. 2 is a perspective view showing the top, left side and rear thereof;

FIG. 3 is a front elevational view;

FIG. 4 is a right side elevational view thereof;

FIG. 5 is a rear elevational view thereof;

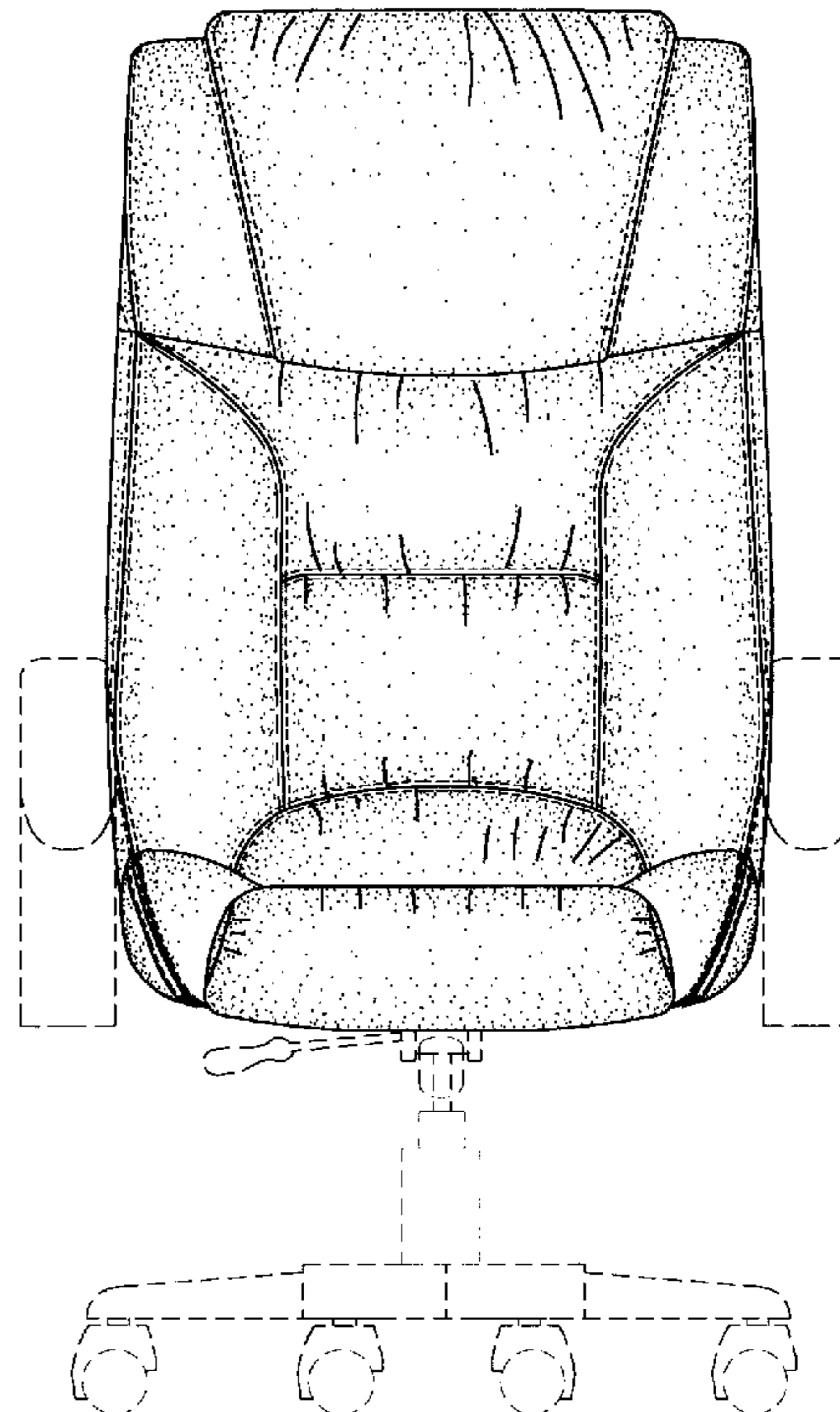
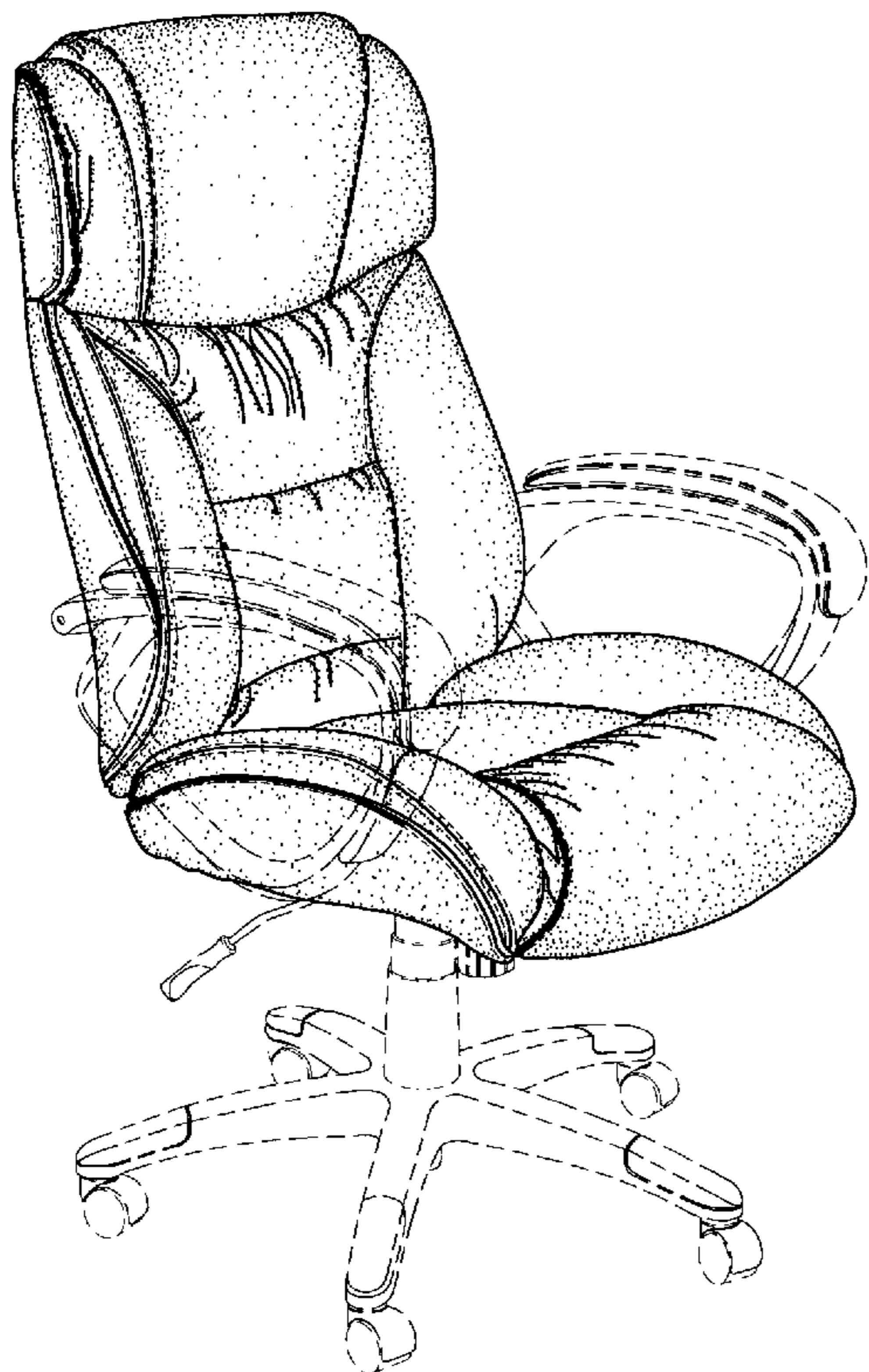
FIG. 6 is a left side elevational view thereof;

FIG. 7 is a top plan view thereof; and,

FIG. 8 is a bottom plan view thereof.

The short broken lines on the seat and back rest in FIGS. 1-8 are understood to represent stitching.

1 Claim, 4 Drawing Sheets



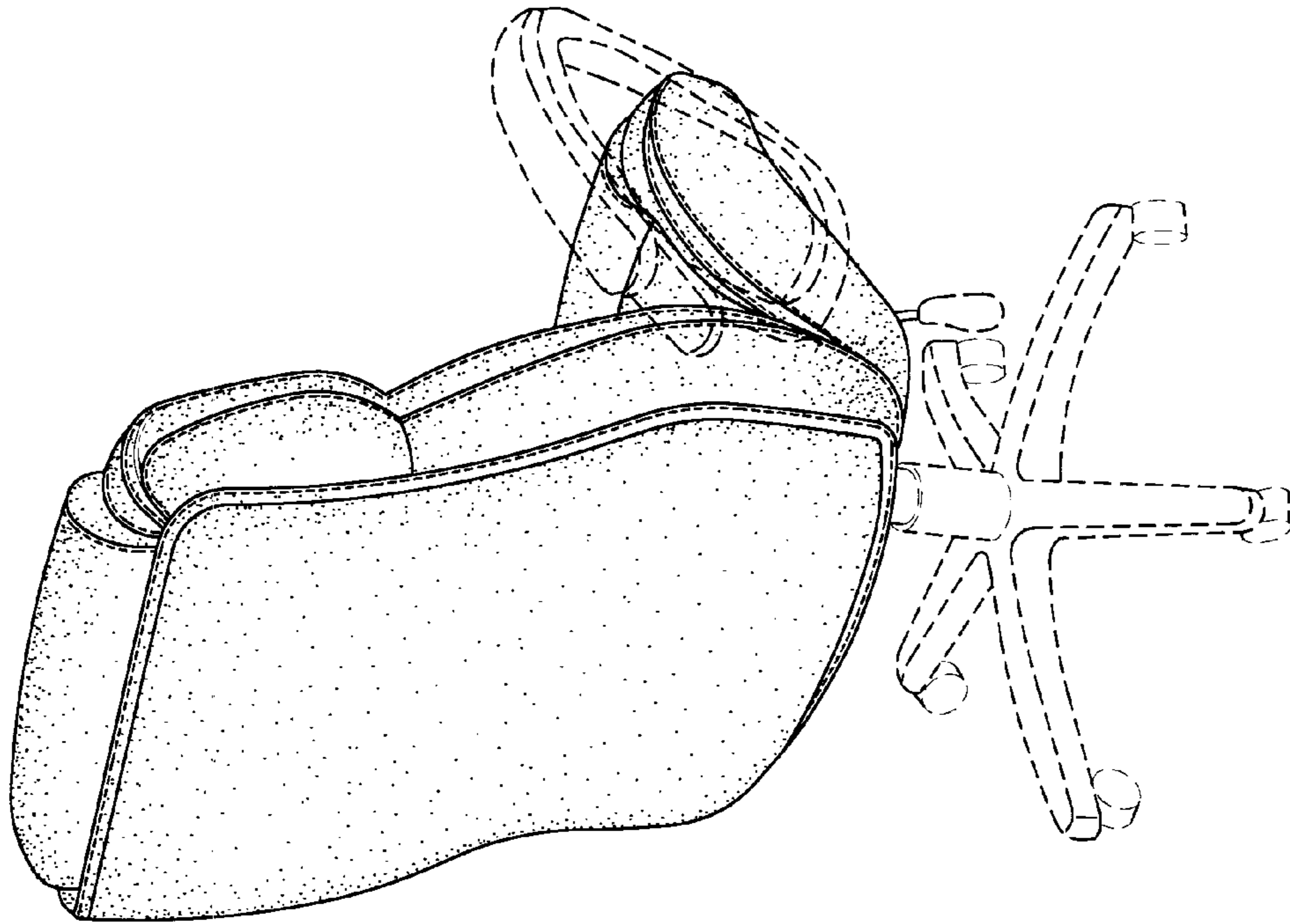


Fig. 2

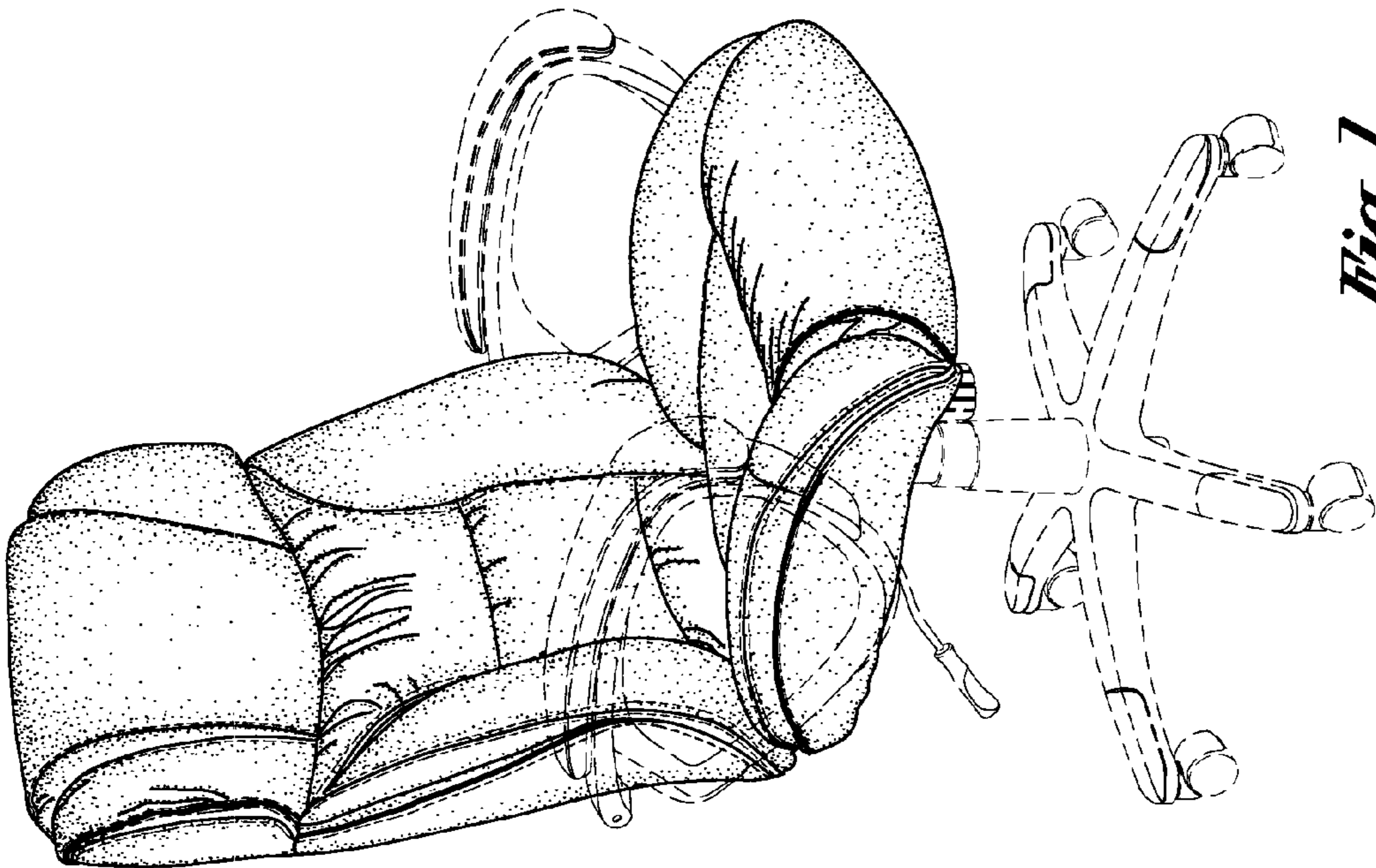
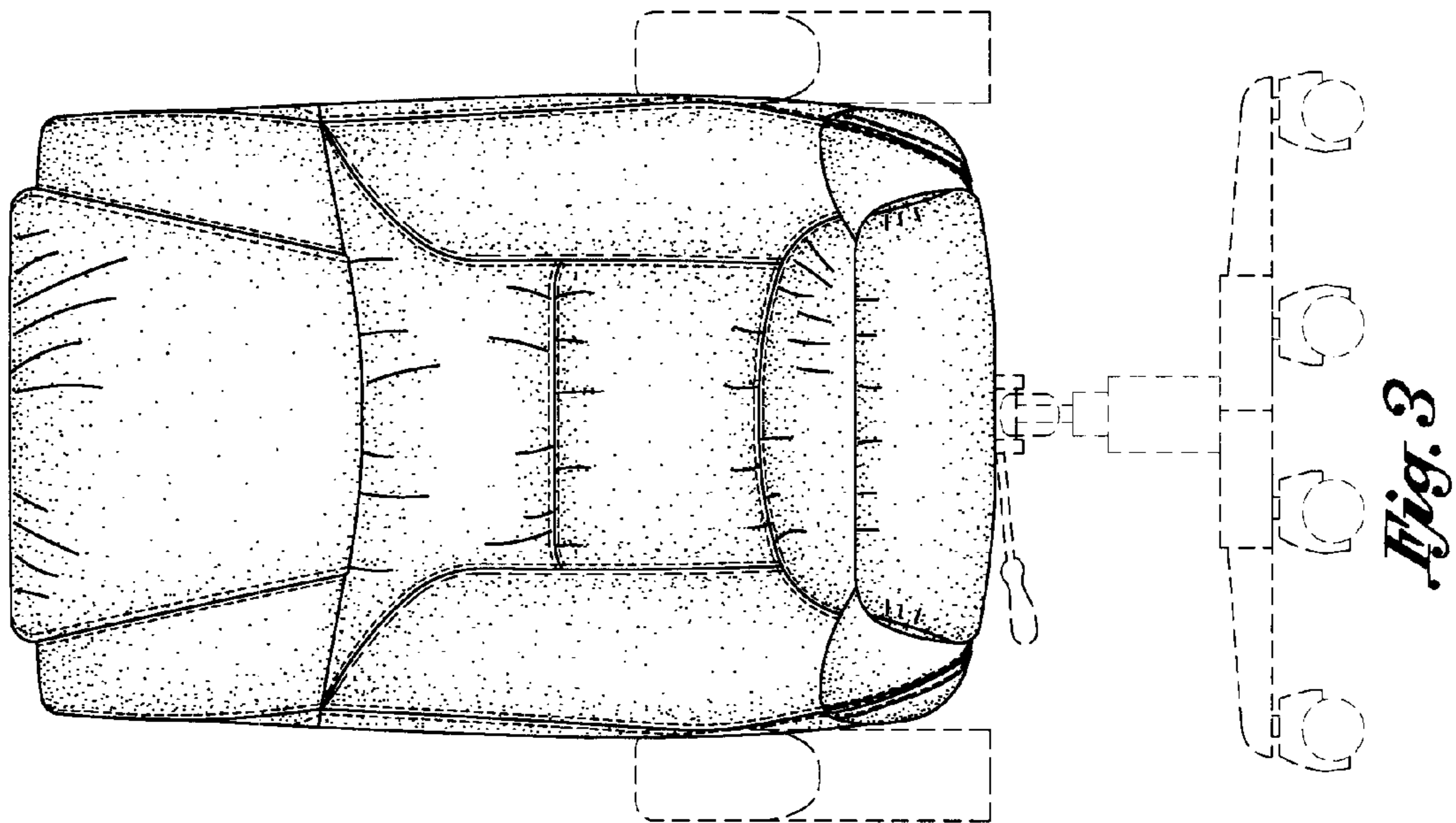
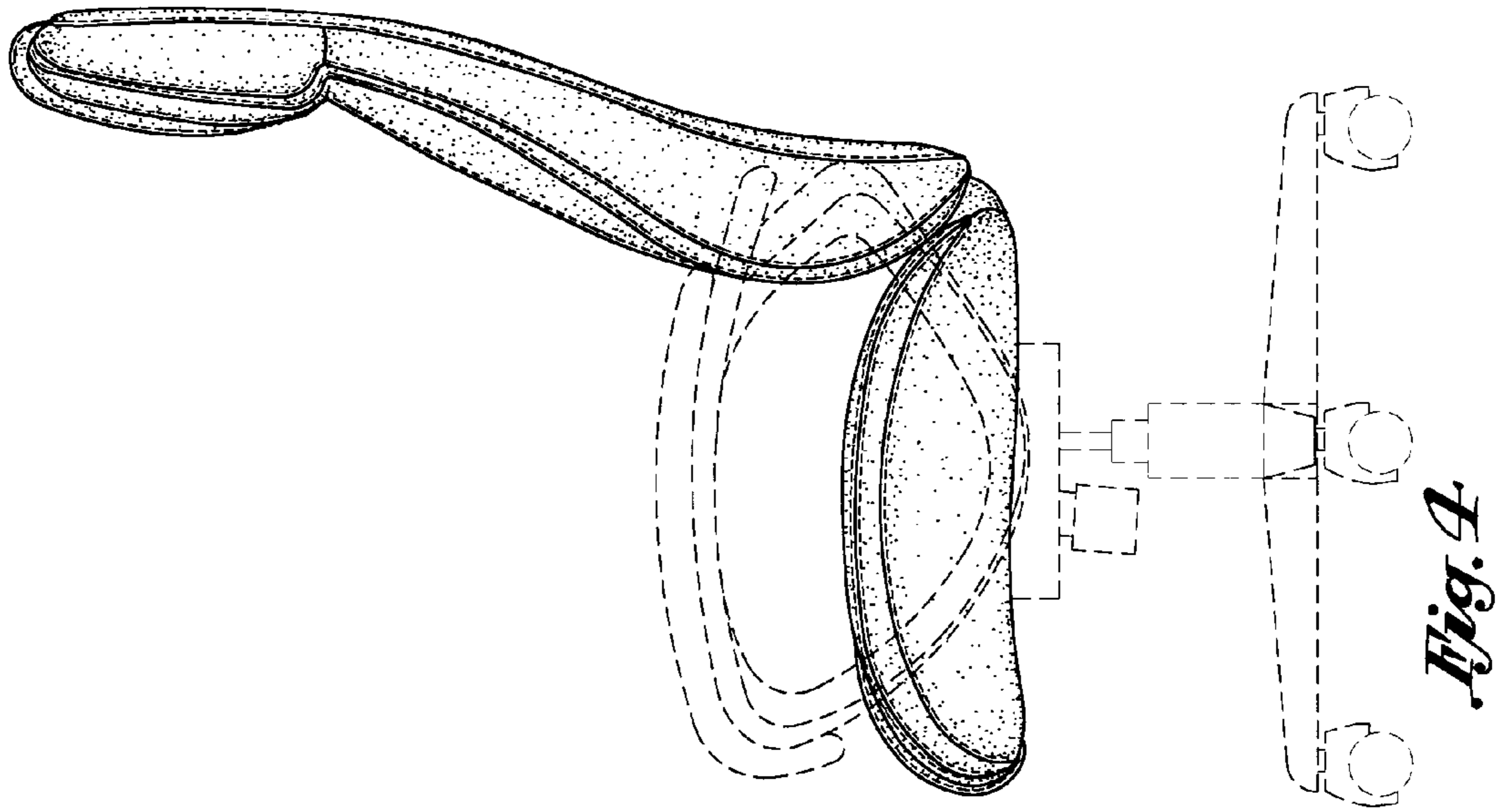


Fig. 1



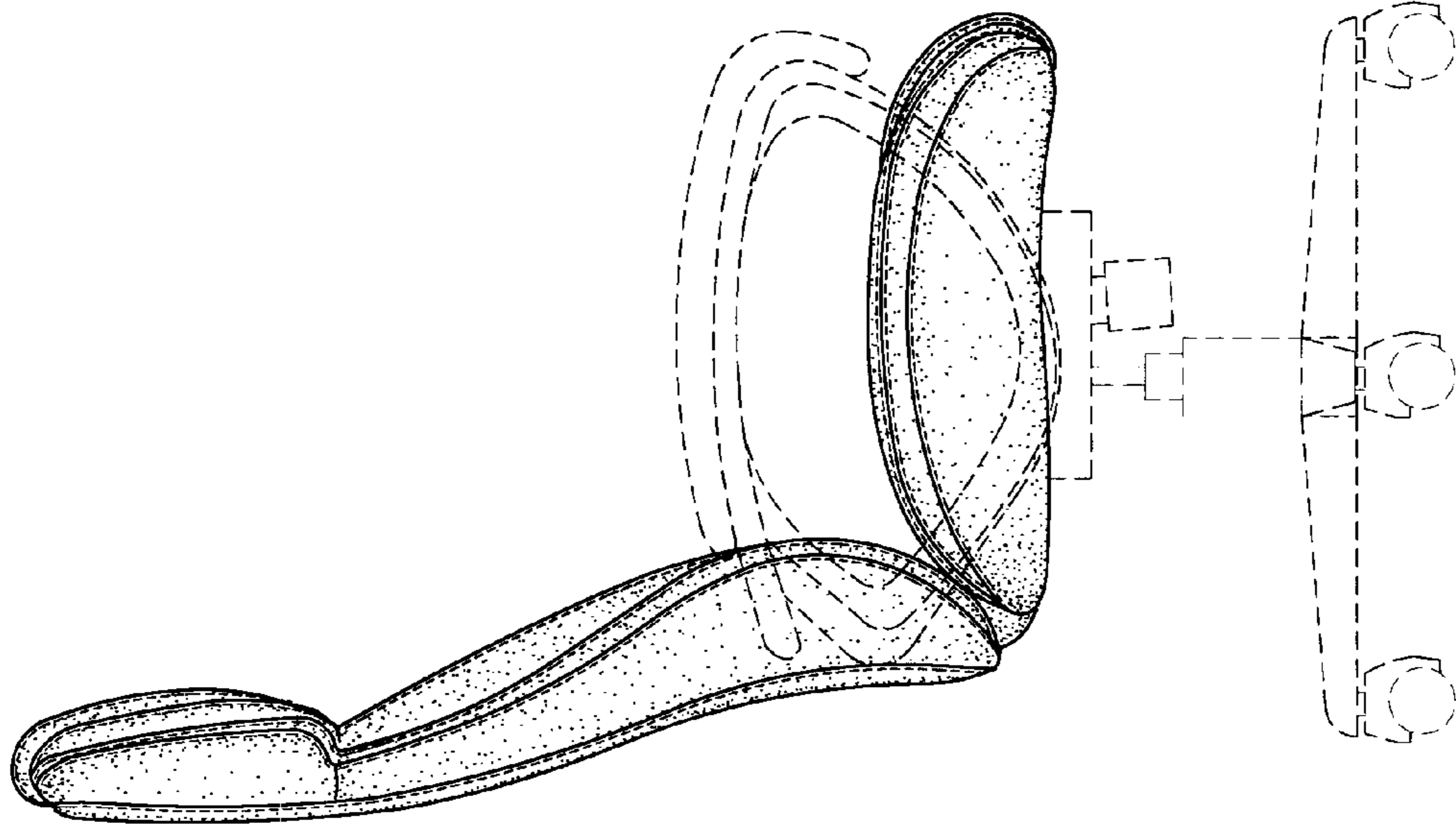


Fig. 6

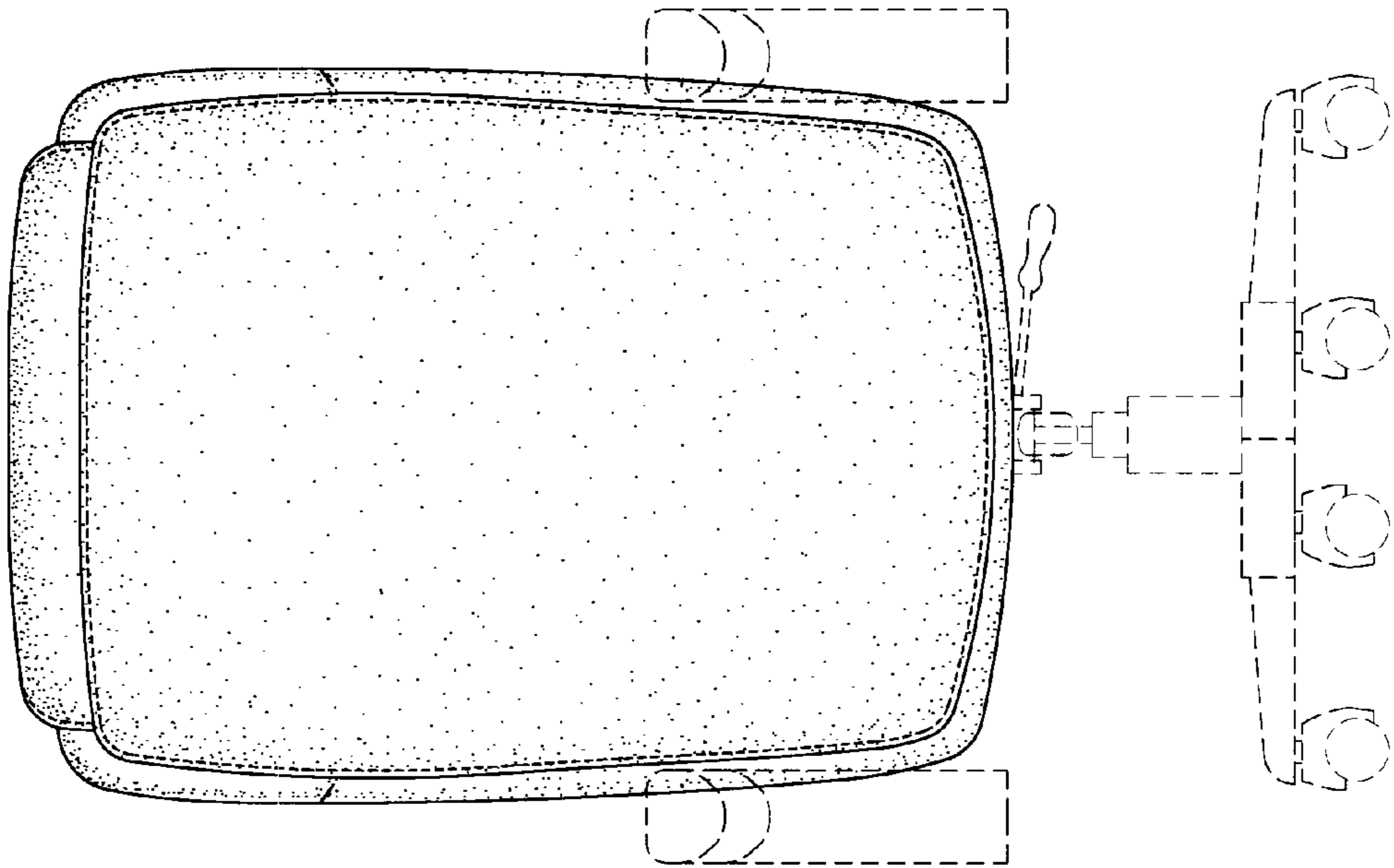


Fig. 5

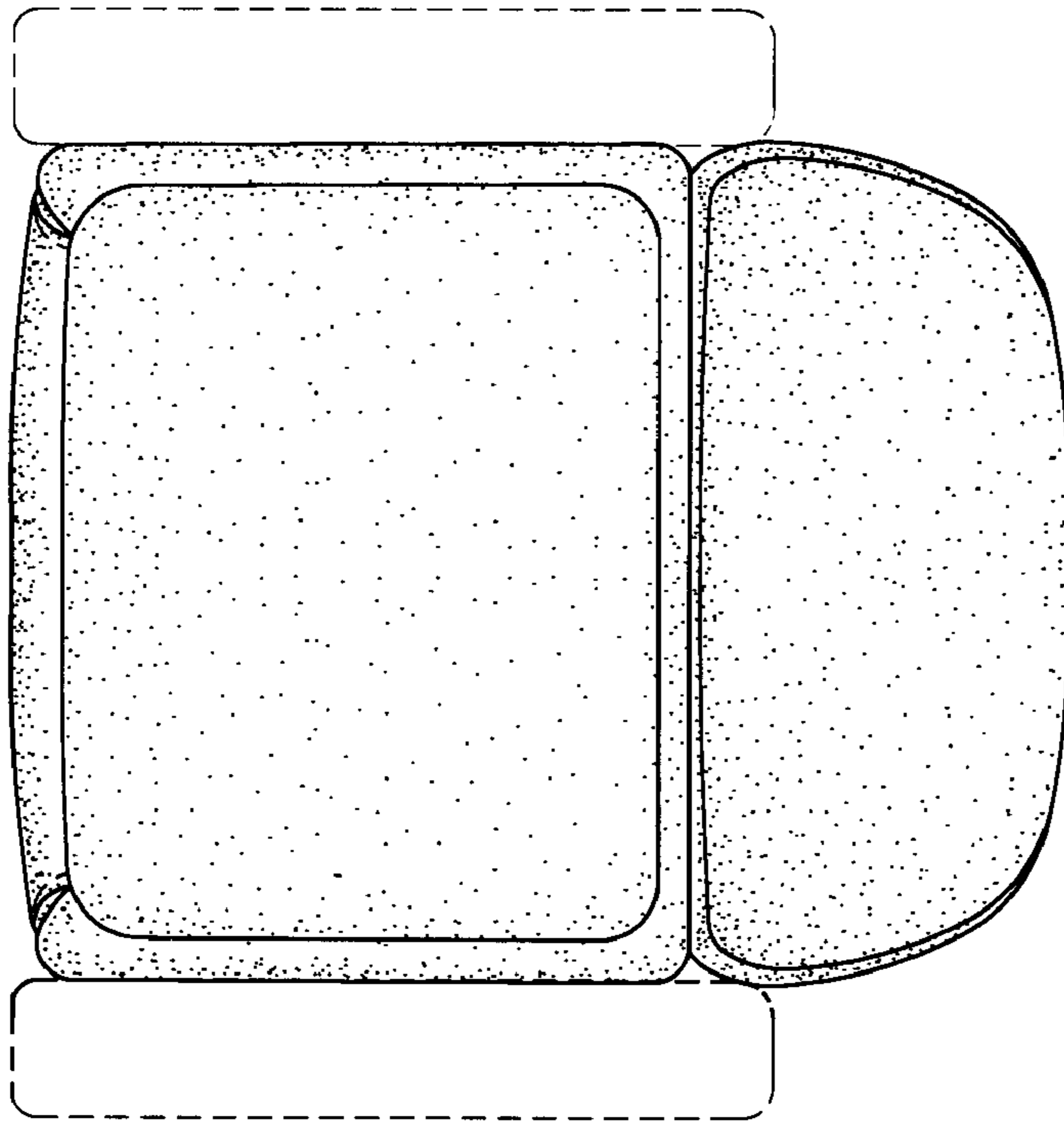


Fig. 8

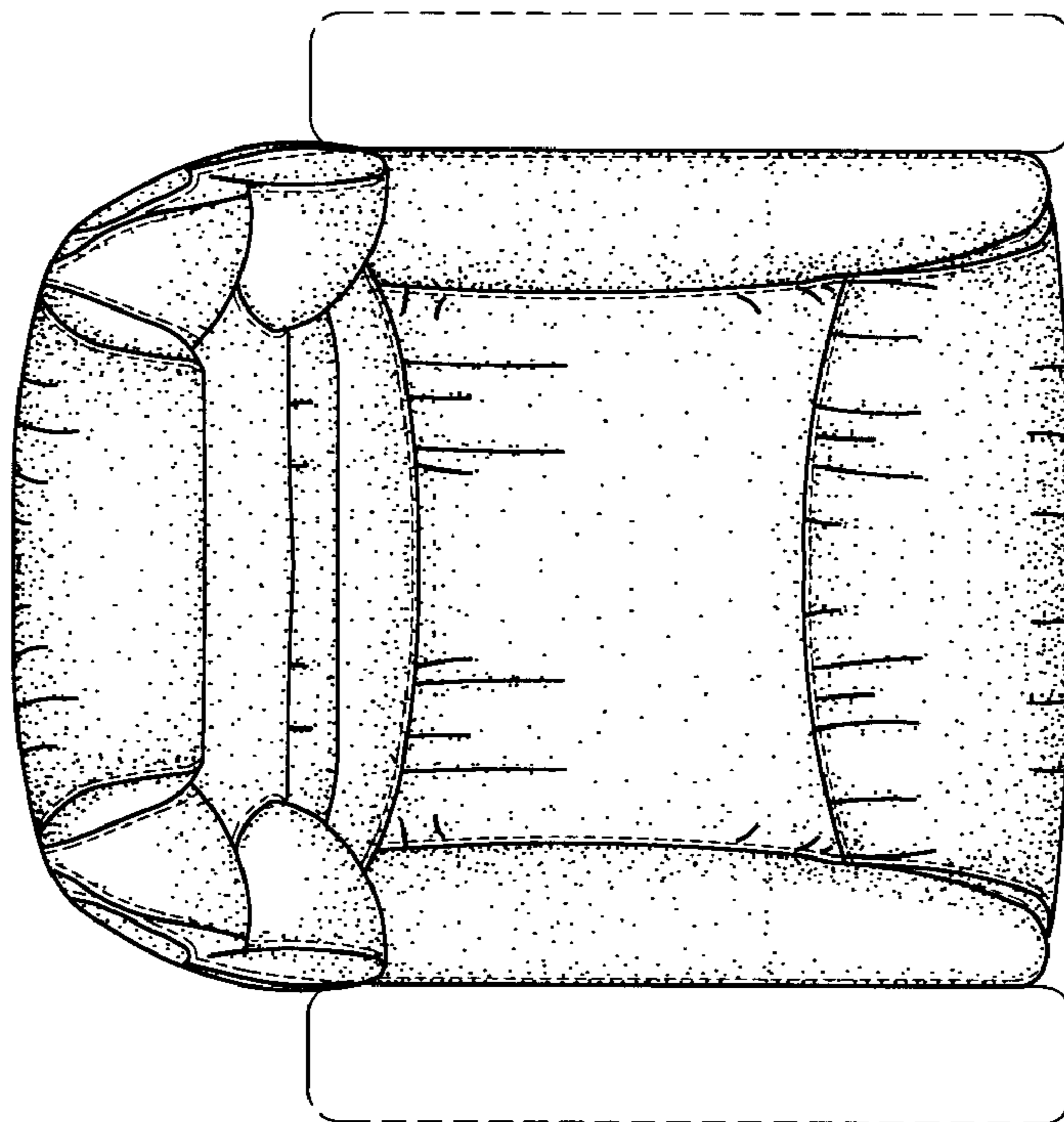


Fig. 7