

US00D532626S

(12) **United States Design Patent**  
**McDiarmid et al.**

(10) **Patent No.:** **US D532,626 S**

(45) **Date of Patent:** **\*\* Nov. 28, 2006**

(54) **CABINET**

(75) Inventors: **Ronald D. McDiarmid**, La Habra, CA (US); **Jose Enrique Ortiz**, Lewisville, TX (US)

(73) Assignee: **Gruga, U.S.A.**, Irwindale, CA (US)

(\*\*) Term: **14 Years**

(21) Appl. No.: **29/245,137**

(22) Filed: **Dec. 19, 2005**

(51) **LOC (8) Cl.** ..... **06-04**

(52) **U.S. Cl.** ..... **D6/446**

(58) **Field of Classification Search** ..... D6/432-448;  
312/107, 109, 198, 204  
See application file for complete search history.

(56) **References Cited**

**U.S. PATENT DOCUMENTS**

D445,597 S	*	7/2001	Stone et al.	.....	D6/446
D455,027 S	*	4/2002	Hokanson	.....	D6/439
D500,929 S	*	1/2005	Walker	.....	D6/446
D513,372 S	*	1/2006	Rozenboom	.....	D6/446
D514,353 S	*	2/2006	Nowotarski et al.	.....	D6/446

**OTHER PUBLICATIONS**

Yield House Shaker Style TV Stand, p. 10, Winter 1993 catalog.\*

Ethan Allen New Impressions Armoire, p. 22, 2005 catalog.\*

\* cited by examiner

*Primary Examiner*—Cathron C. Brooks

(74) *Attorney, Agent, or Firm*—Sheppard, Mullin, Richter & Hampton LLP

(57) **CLAIM**

We claim the ornamental design for a cabinet, as shown and described.

**DESCRIPTION**

FIG. 1 is a left, front perspective view of a cabinet embodying our new design.

FIG. 2 is a front elevational view thereof.

FIG. 3 is a rear elevational view thereof.

FIG. 4 is a right side elevational view thereof.

FIG. 5 is a left side elevational view thereof.

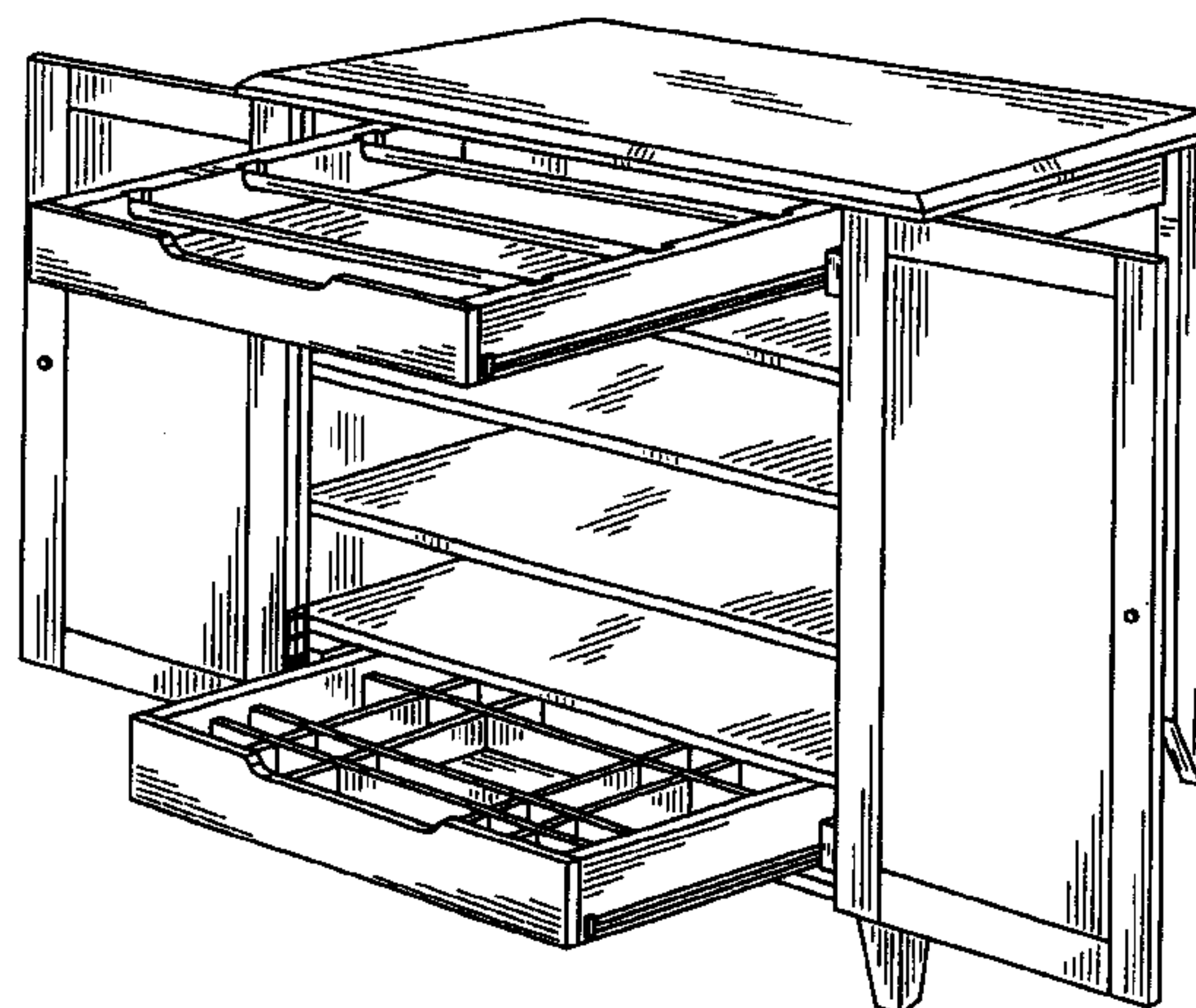
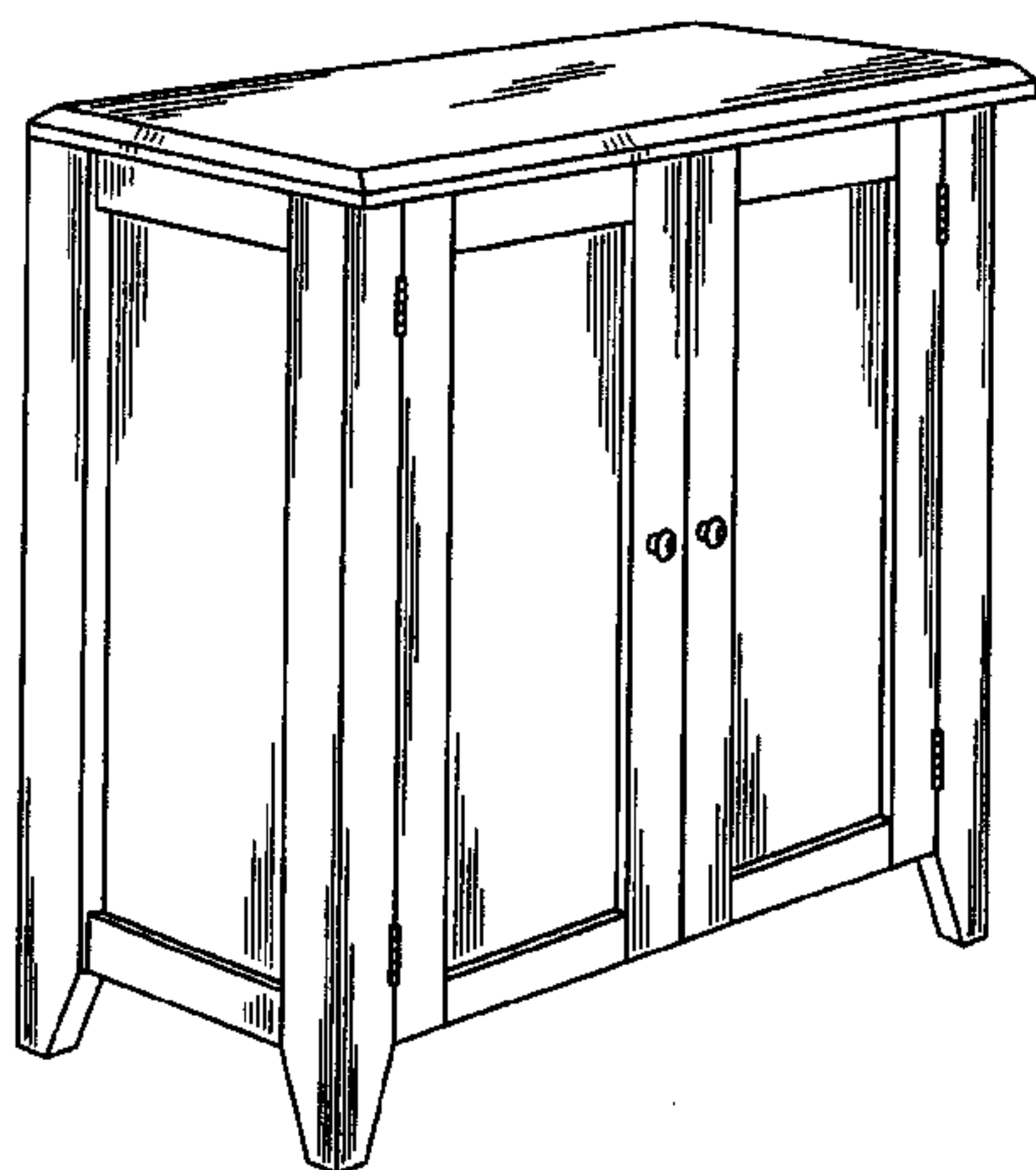
FIG. 6 is a top plan elevational view thereof.

FIG. 7 is a bottom plan elevational view thereof.

FIG. 8 is a right, front perspective view thereof, shown with the cabinet's front doors opened, to reveal two drawers and several shelves, with the drawers including partitions; and,

FIG. 9 is a right, front perspective view thereof, similar to FIG. 8, but with the drawer partitions removed for completeness of illustration.

**1 Claim, 6 Drawing Sheets**



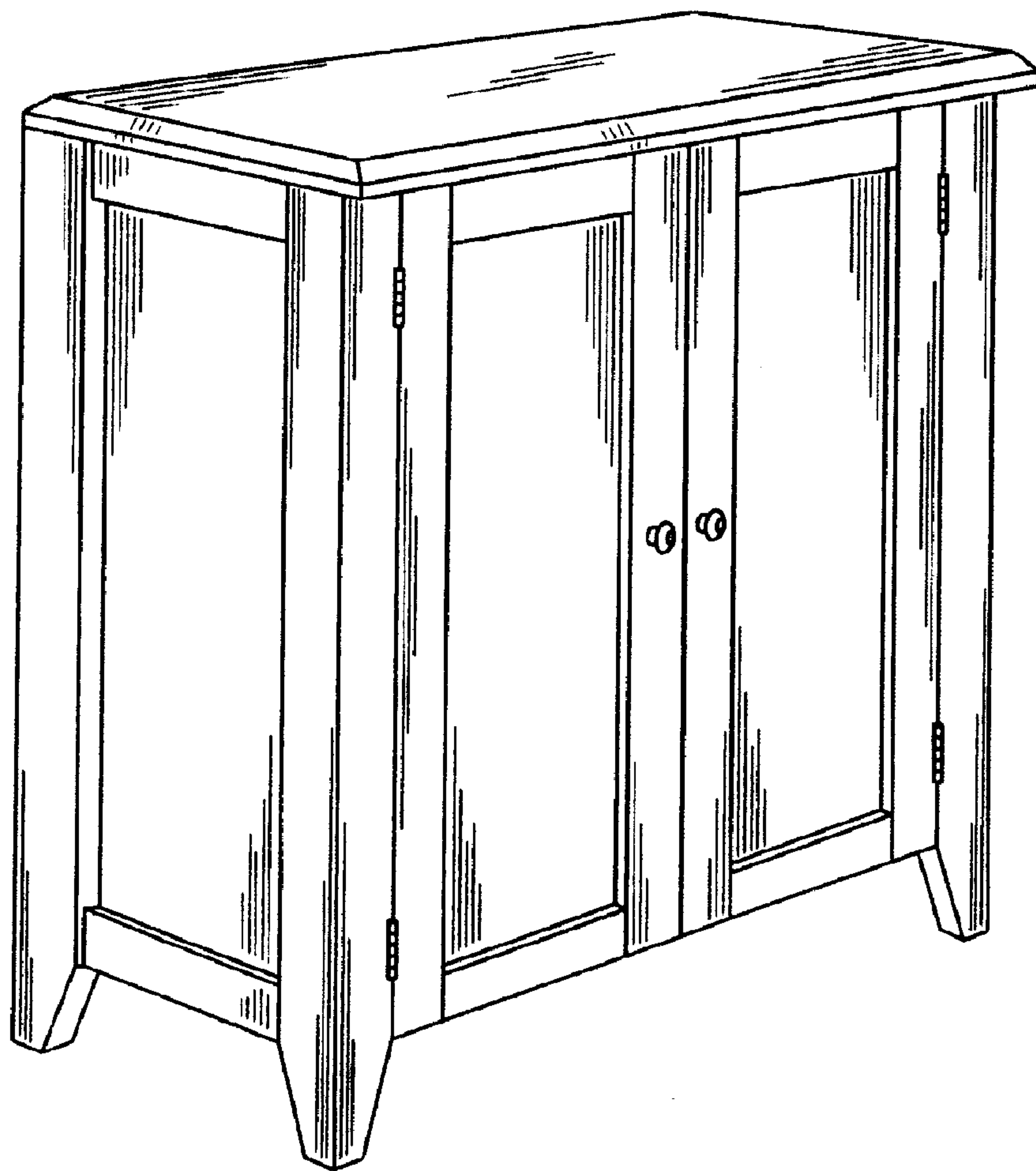


FIG. 1

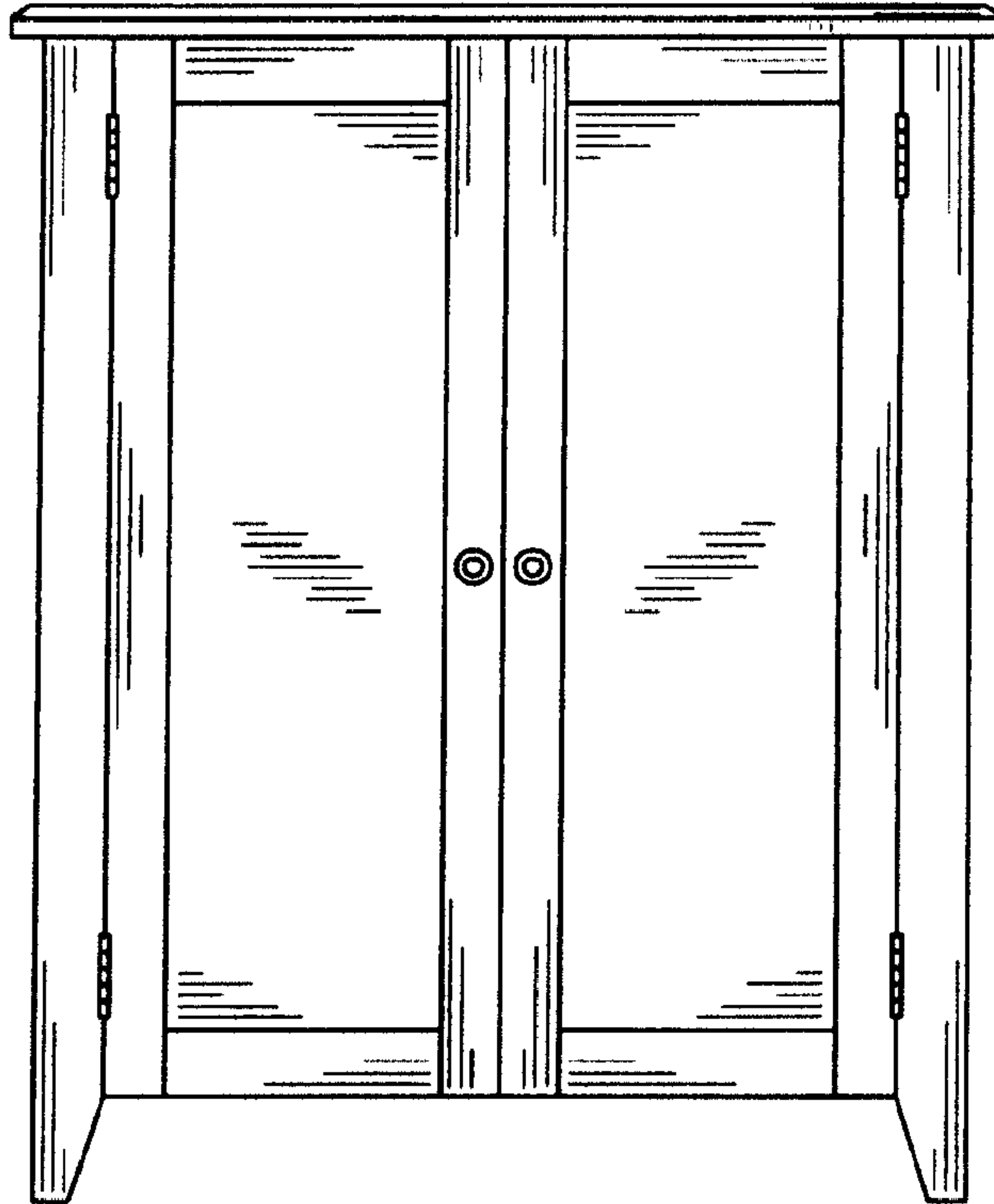


FIG. 2

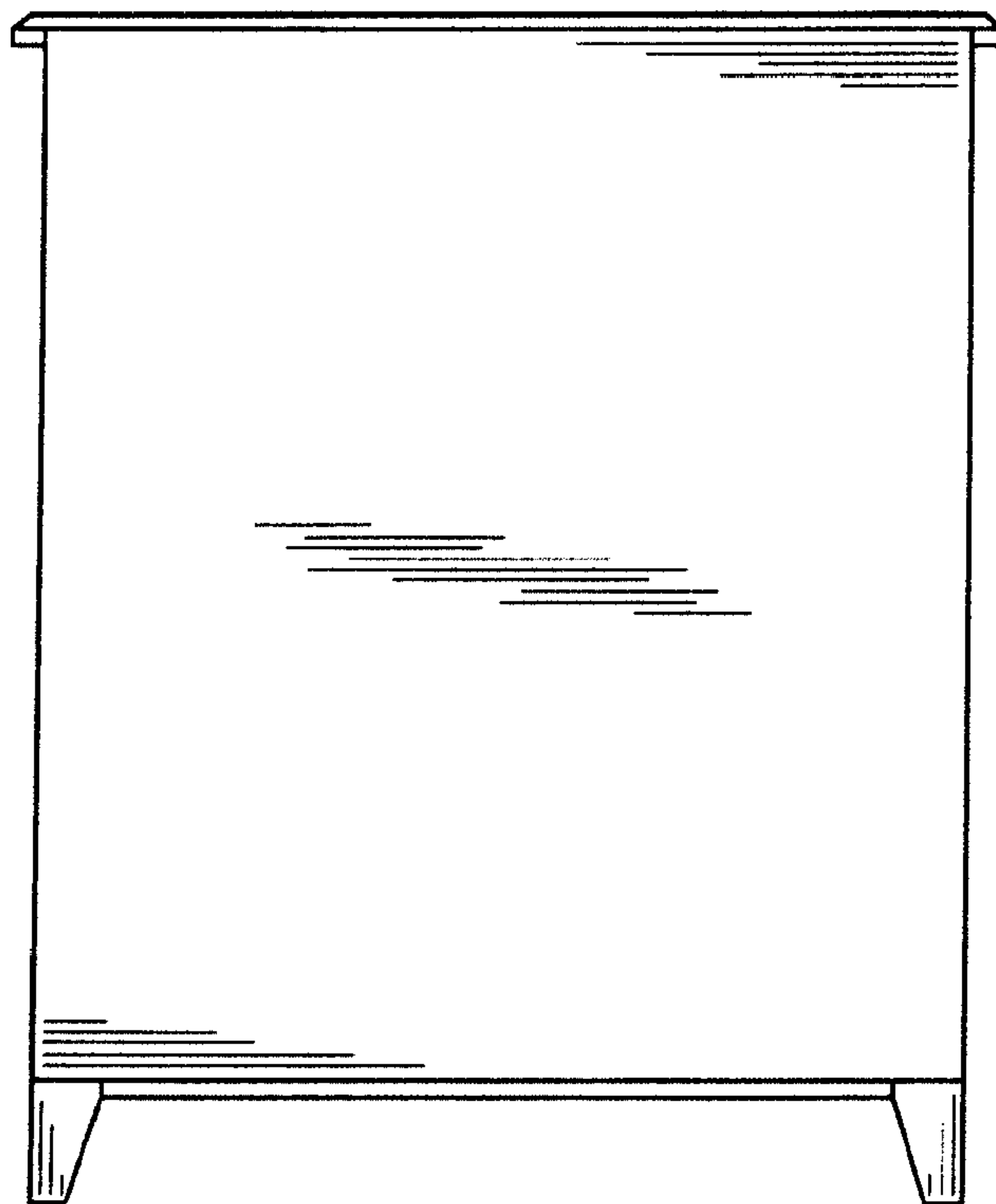


FIG. 3

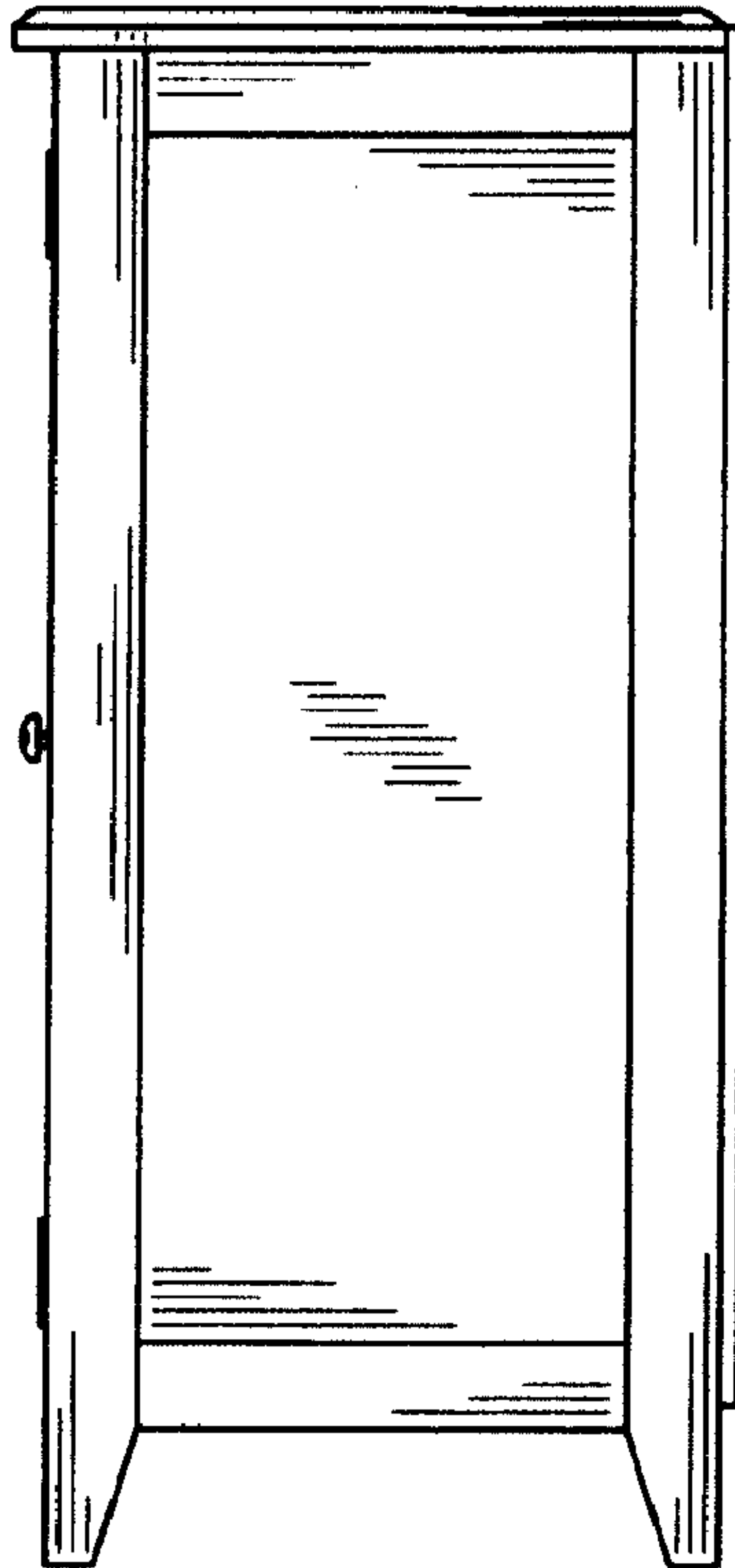


FIG. 4

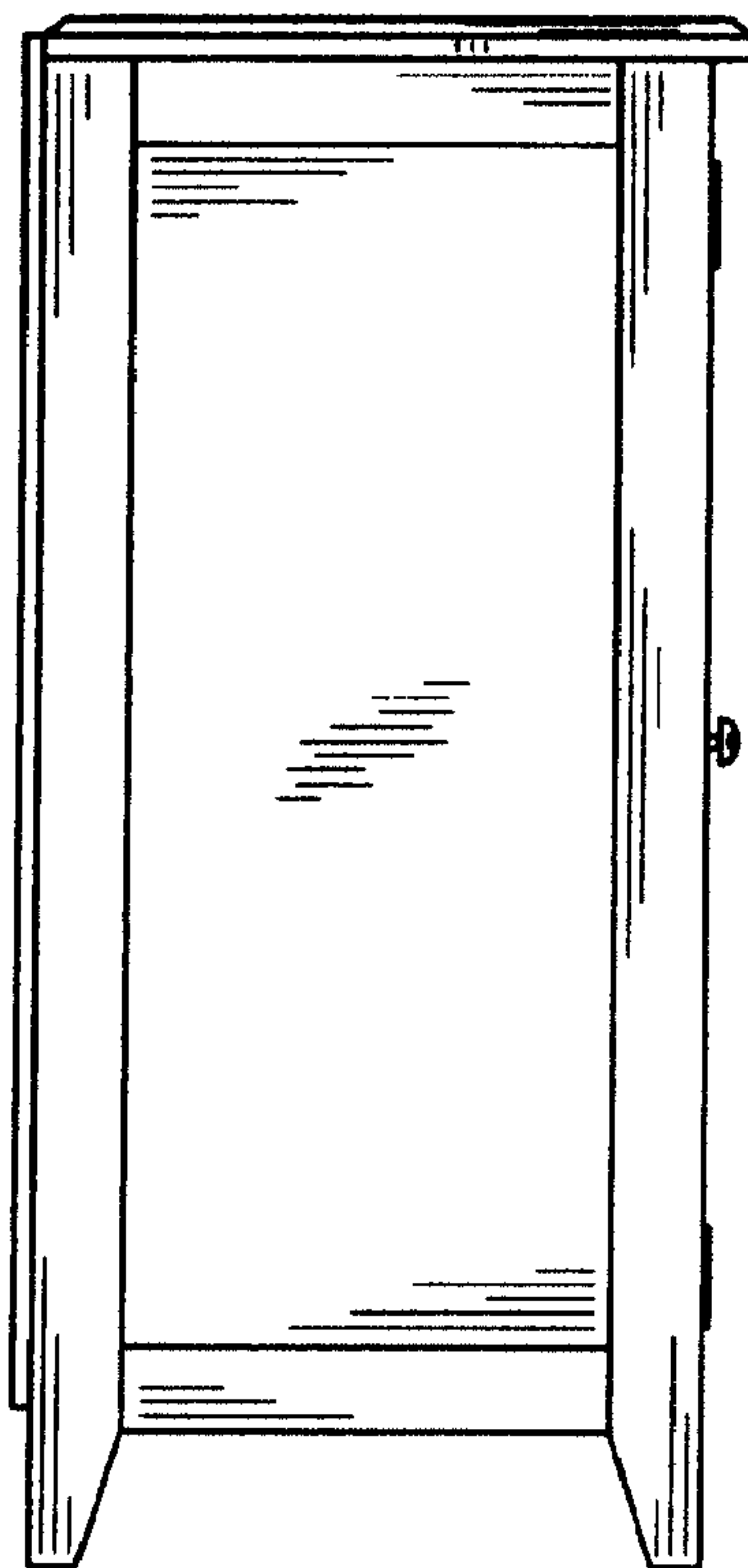


FIG. 5

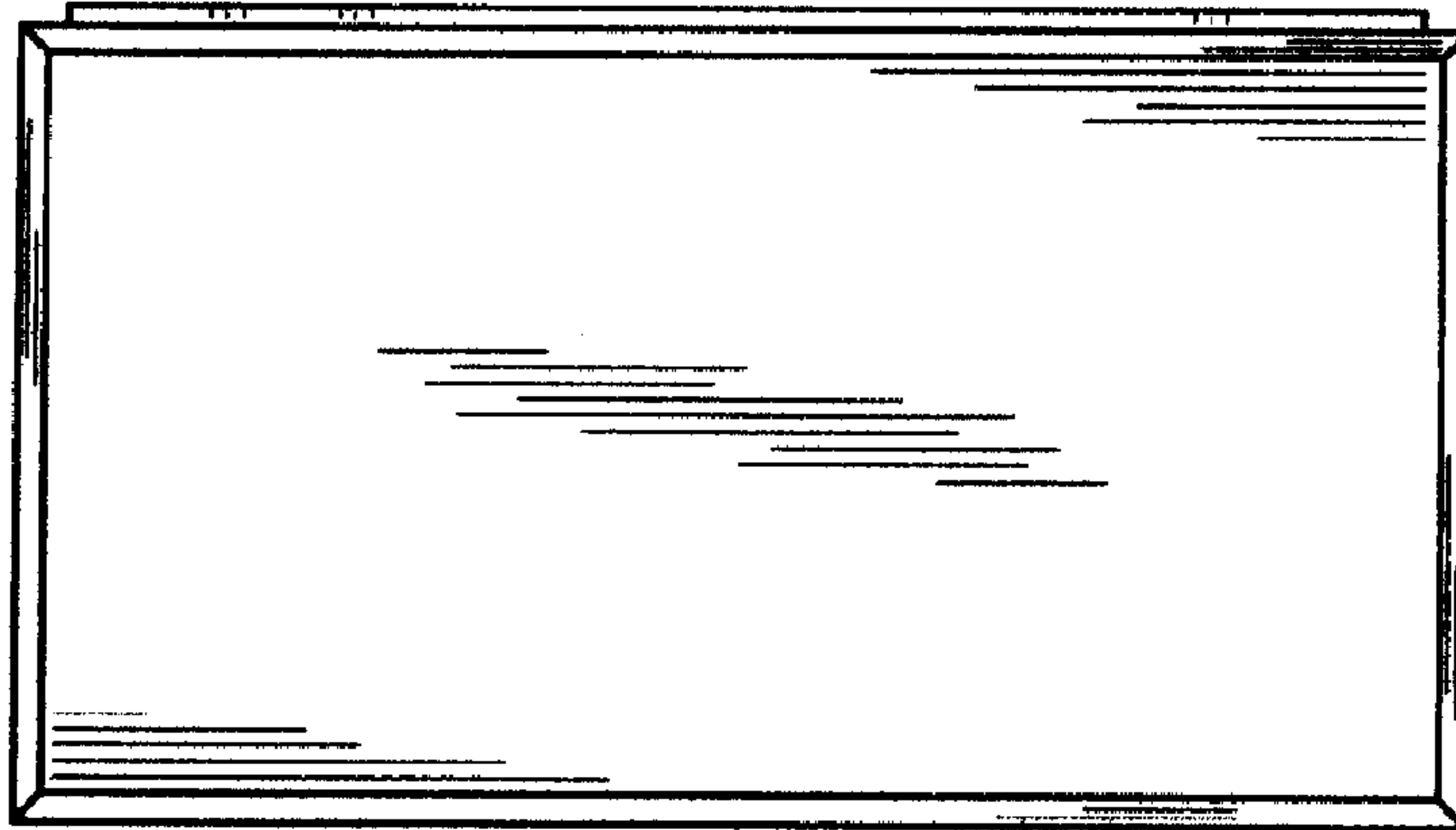


FIG. 6

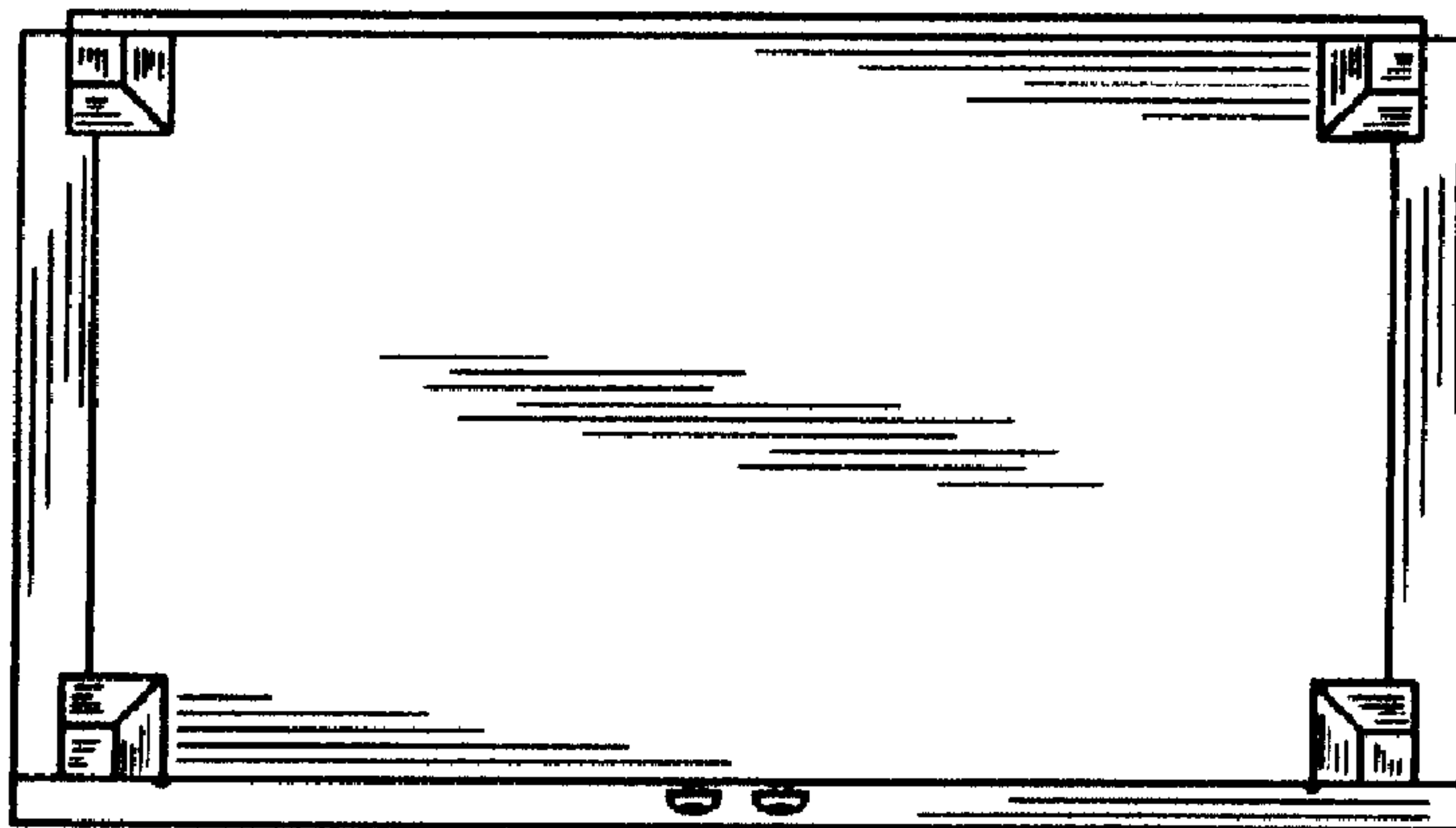


FIG. 7

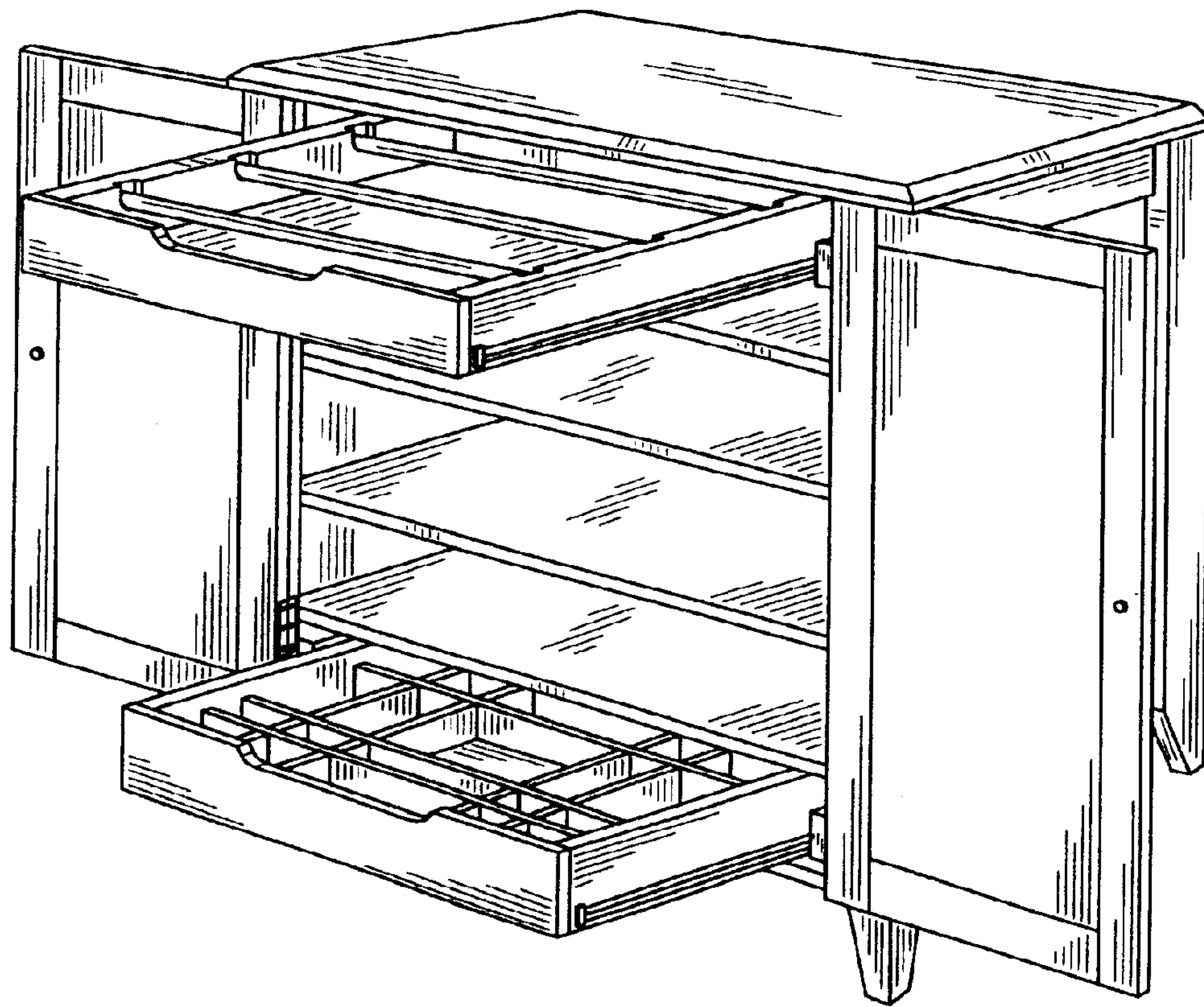


FIG. 8



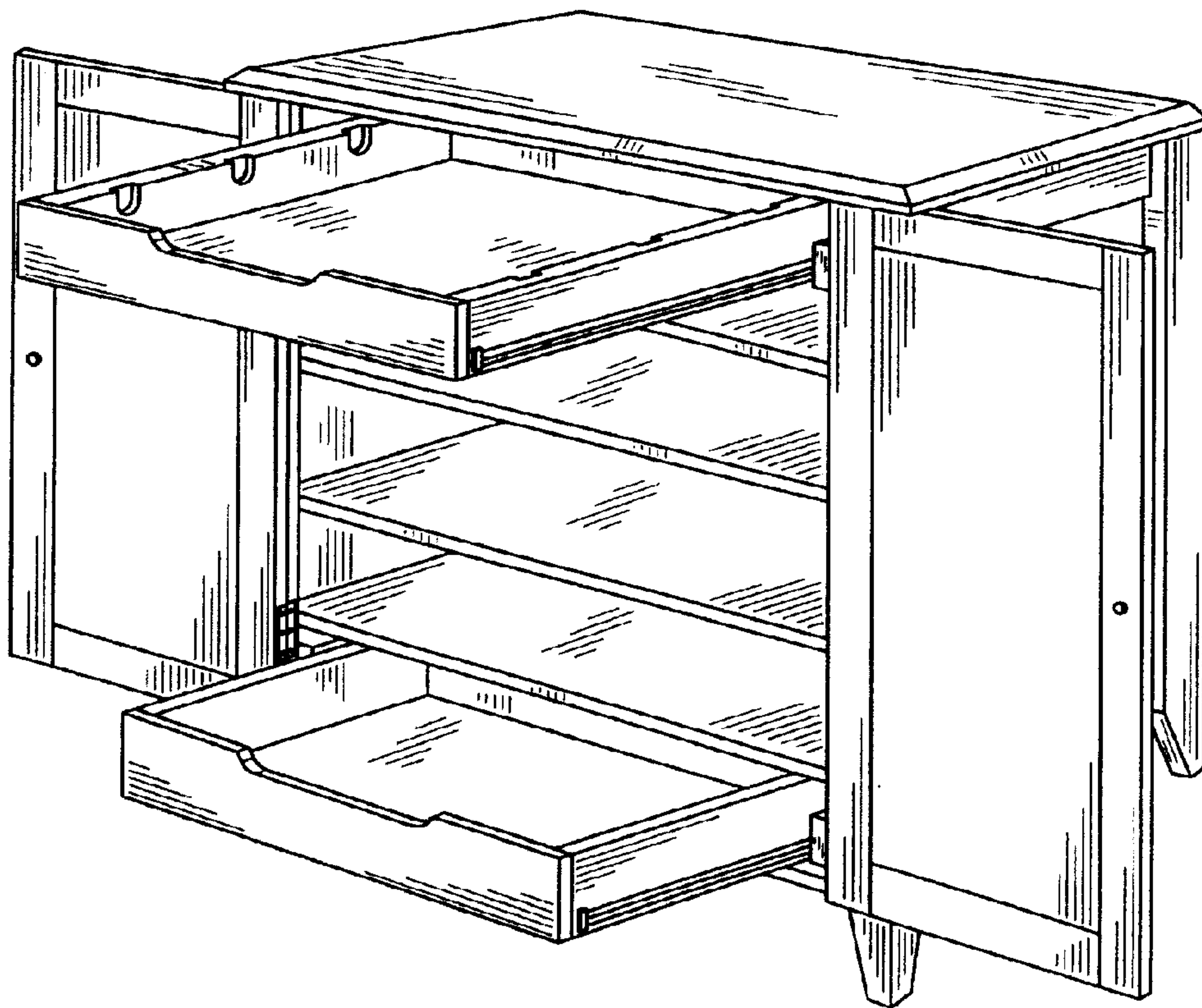


FIG. 9