



US00D532625S

(12) **United States Design Patent**  
**Schmitt**

(10) **Patent No.:** **US D532,625 S**

(45) **Date of Patent:** **\*\* Nov. 28, 2006**

(54) **DRESSER**

D400,733 S 11/1998 O'Hare  
D406,202 S 3/1999 Zaidman  
D411,050 S 6/1999 Keller et al.

(75) Inventor: **Jack Schmitt**, San Juan Capistrano, CA  
(US)

(Continued)

(73) Assignee: **Amini Innovation Corp.**, Pico Rivera,  
CA (US)

**OTHER PUBLICATIONS**

(\*\*) Term: **14 Years**

Ethan Allen Circular, Legacy Collection Dresser with Mirror  
(reflected in mirror), p. 5, 1996.

(21) Appl. No.: **29/226,367**

Thomasville Catalog, Replicas 1662 Triple Dresser and  
Mirror, p. 2, 1983.

(22) Filed: **Mar. 29, 2005**

America's Oak Furniture, Schiffer, 1988, Low Chest with  
Mirror, p. 90.

(51) **LOC (8) Cl.** ..... **06-04**

Golden Oak Furniture, Warren, 1992, Dresser with Mirror,  
p. 140.

(52) **U.S. Cl.** ..... **D6/441; D6/446**

Furniture Today, Genoa Collection Dresser with Mirror, p.  
14, Oct. 11, 1999.

(58) **Field of Classification Search** ..... D6/434,  
D6/436-447, 470-472; 312/114, 204, 224,  
312/227

(Continued)

See application file for complete search history.

*Primary Examiner*—Cathron C. Brooks

(56) **References Cited**

(74) *Attorney, Agent, or Firm*—Cislo & Thomas, LLP

**U.S. PATENT DOCUMENTS**

(57) **CLAIM**

- 107,479 A 9/1870 Gilman
- 2,009,225 A 7/1935 Farrar
- D109,986 S 6/1938 Hickerson
- D198,795 S 8/1964 Hekler
- D227,838 S \* 7/1973 Adkinson ..... D6/444
- D234,177 S 1/1975 Keller
- D241,210 S 8/1976 Elsen
- D241,211 S 8/1976 Elsen
- D258,331 S 2/1981 Brown
- D258,333 S 2/1981 Brown
- D265,155 S 6/1982 Bravo
- D272,698 S 2/1984 Aulbert et al.
- D321,438 S 11/1991 Pauer et al.
- D341,502 S 11/1993 Ball
- D343,744 S 2/1994 Keller
- D346,915 S 5/1994 Roser, Jr.
- D350,656 S 9/1994 Ferguson
- D371,257 S 7/1996 Paus
- D373,033 S 8/1996 Rosebrock
- D374,783 S 10/1996 Keller et al.
- D383,330 S 9/1997 Lowery
- D384,518 S 10/1997 Bergelin
- D387,568 S 12/1997 Walters, III et al.

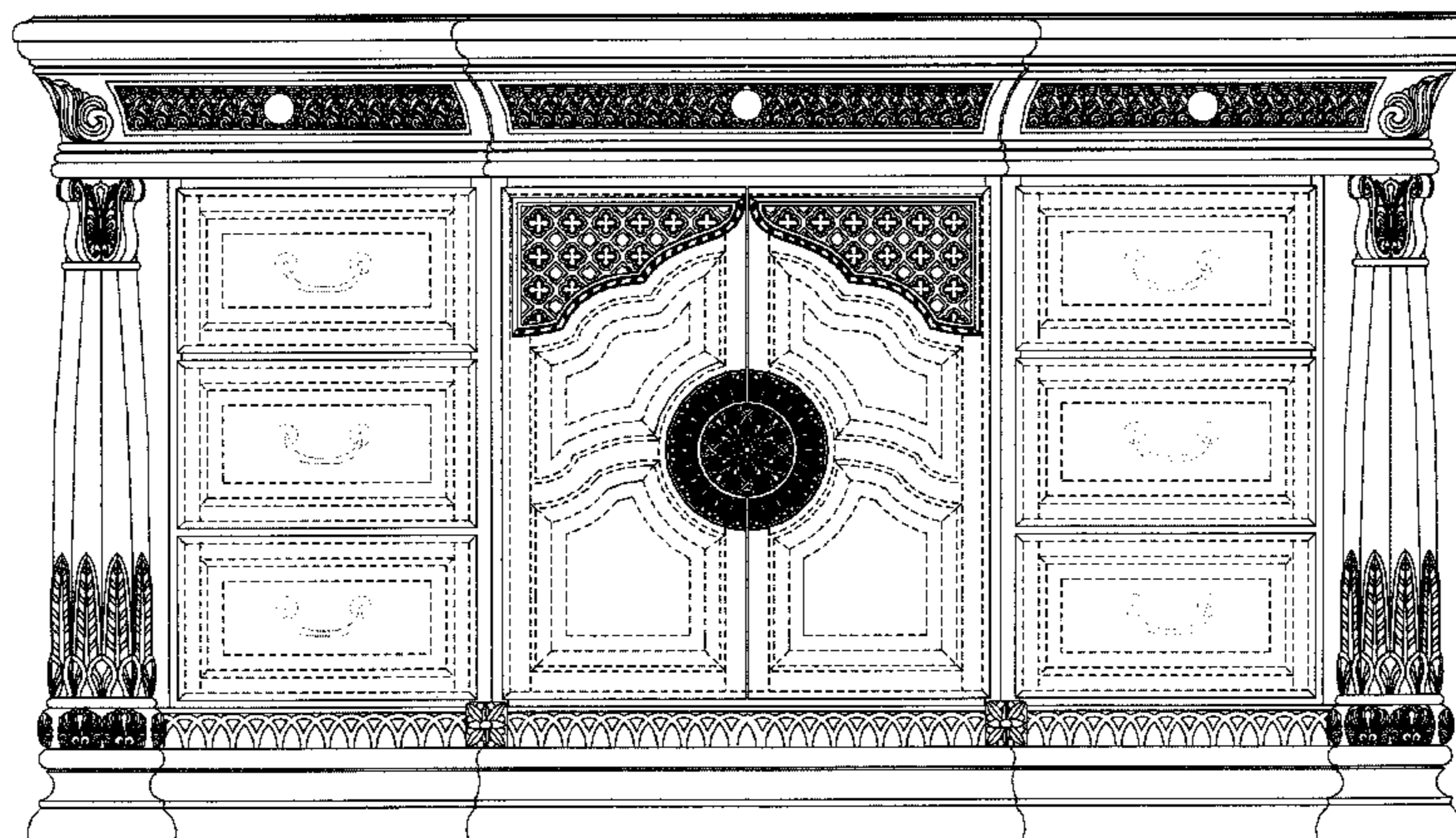
I claim the ornamental design for the dresser, as shown and  
described.

**DESCRIPTION**

FIG. 1 is a front elevational view of a dresser showing my  
new design;  
FIG. 2 is left-side elevational view thereof;  
FIG. 3 is right-side elevational view thereof;  
FIG. 4 is a top plan view thereof;  
FIG. 5 is an elevational detail of the dresser door pulls  
thereof illustrating the ornamentation thereon in enlarged  
detail, and shown separately for clarity of illustration.  
FIG. 6 is a right side elevational detail of corner post  
illustrating the ornamentation thereon in enlarged detail;  
and,  
FIG. 7 is an elevational detail of the centers of the dresser  
doors illustrating the ornamentation thereon in enlarged  
detail.

The broken lines shown form no part of the claimed design.

**1 Claim, 7 Drawing Sheets**



# US D532,625 S

Page 2

## U.S. PATENT DOCUMENTS

D412,413 S 8/1999 Keller et al.  
D424,831 S 5/2000 O'Hare  
D425,329 S \* 5/2000 O'Hare ..... D6/445  
D437,503 S 2/2001 Ungaro  
D447,887 S \* 9/2001 O'Hare et al. .... D6/446  
D448,205 S 9/2001 O'Hare et al.  
D450,203 S 11/2001 Vaaler  
D451,700 S 12/2001 Vaaler  
D454,729 S 3/2002 Vaaler  
D459,111 S 6/2002 Tobin, Jr.  
D467,095 S 12/2002 Vaaler  
D469,626 S 2/2003 Vaaler  
D469,631 S 2/2003 Vaaler  
D469,982 S 2/2003 Warren et al.  
D470,686 S 2/2003 O'Hare  
D472,733 S 4/2003 McDaniel et al.  
D473,400 S 4/2003 O'Hare  
D474,054 S 5/2003 Warren et al.  
D474,922 S 5/2003 Vaaler  
D475,868 S 6/2003 Vaaler  
D476,505 S 7/2003 Lenger  
D477,725 S 7/2003 McDaniel et al.  
D480,236 S 10/2003 Schmitt  
D480,896 S 10/2003 Paus  
D481,555 S 11/2003 Schmitt  
D484,319 S 12/2003 Domack  
D485,079 S 1/2004 Warren et al.

D487,201 S 3/2004 Schmitt  
D487,548 S 3/2004 Schmitt  
D488,936 S 4/2004 Schmitt  
D490,626 S 6/2004 Risdon et al.

## OTHER PUBLICATIONS

Thomasville, Palais Jardin Mirror Dresser and Door Chest, p. 12, 2002.  
Furniture Today, Source Mktg. Group Mirror Dresser and Sumter Cabinet, p. 192, Oct. 14, 2002.  
Furniture Today, Union City Imports china hutch, p. 158, Oct. 19, 1998.  
Furniture Today, Aico china hutch, p. 15, Oct. 16, 2000.  
Furniture Today, Broyhill china hutch, p. 11, Apr. 16, 2001.  
Furniture Today, Marge Carson wall unit, p. 126, Oct. 11, 1999.  
Furniture Today, Pulski amoire, p. 33, Apr. 15, 2002.  
Amini Innovation, Corp. Monte Carlo Collection, #53000 Series, 2001, 2 pages.  
Amini Innovation, Corp. La Francaise Collection, #50000 Series, Sep. 11, 2002, 5 pages.  
Amini Innovation, Corp. Royal Oak Collection, #31000 Series, Sep. 11, 2002, 1 page.  
Amini Innovation Corp. Torino Collection, #56000 Series, Apr. 18, 2002, 1 page.

\* cited by examiner

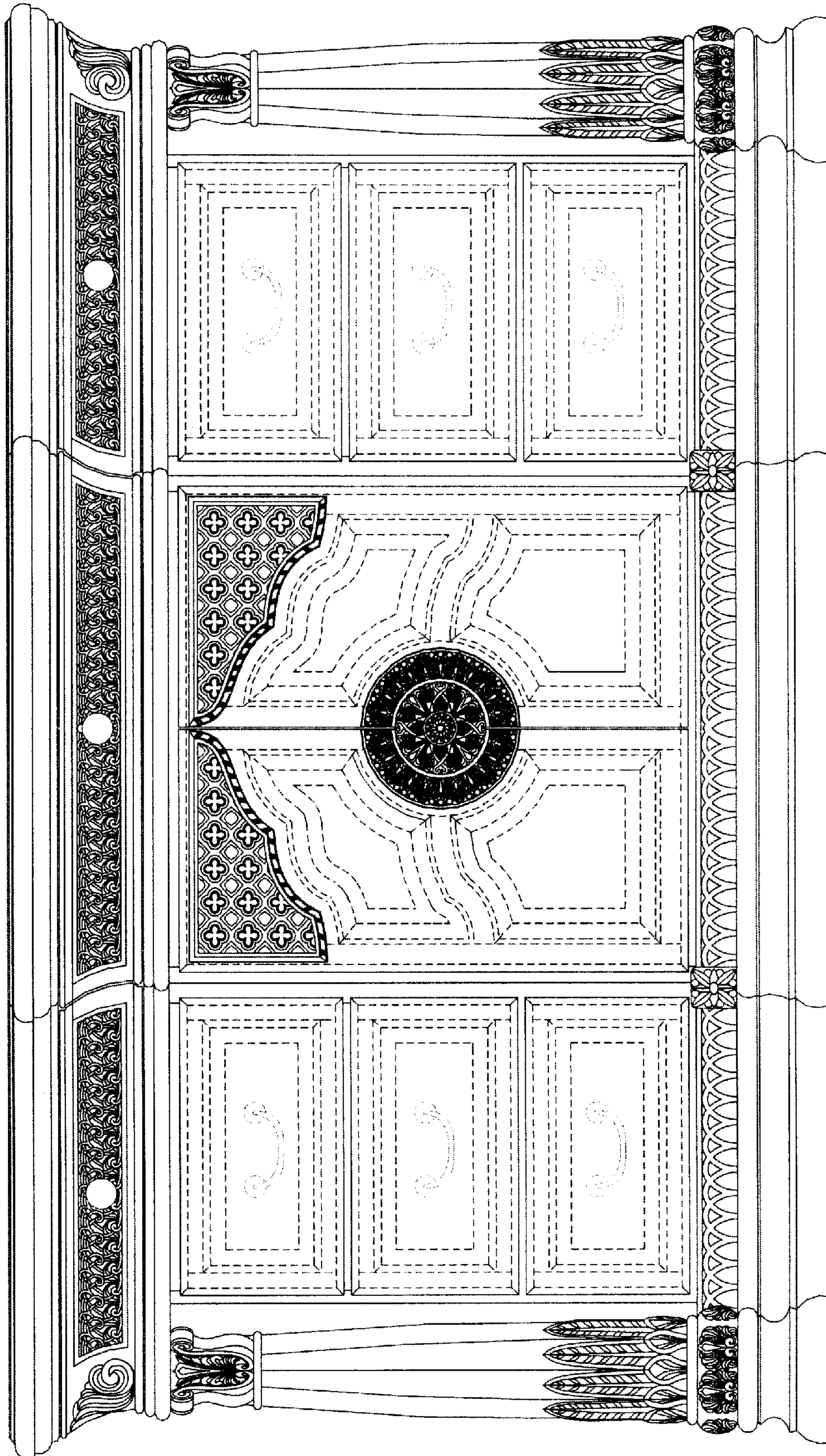


Fig. 1

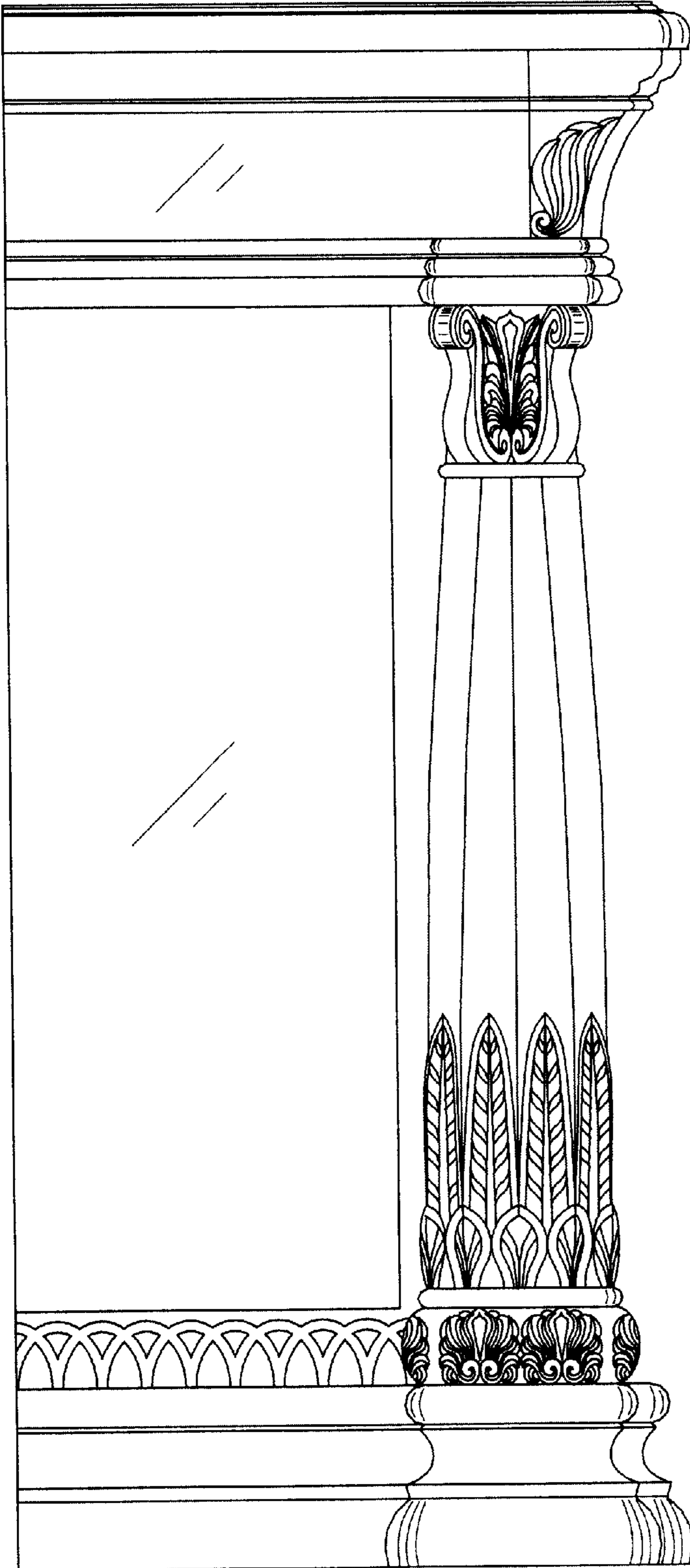


Fig. 2

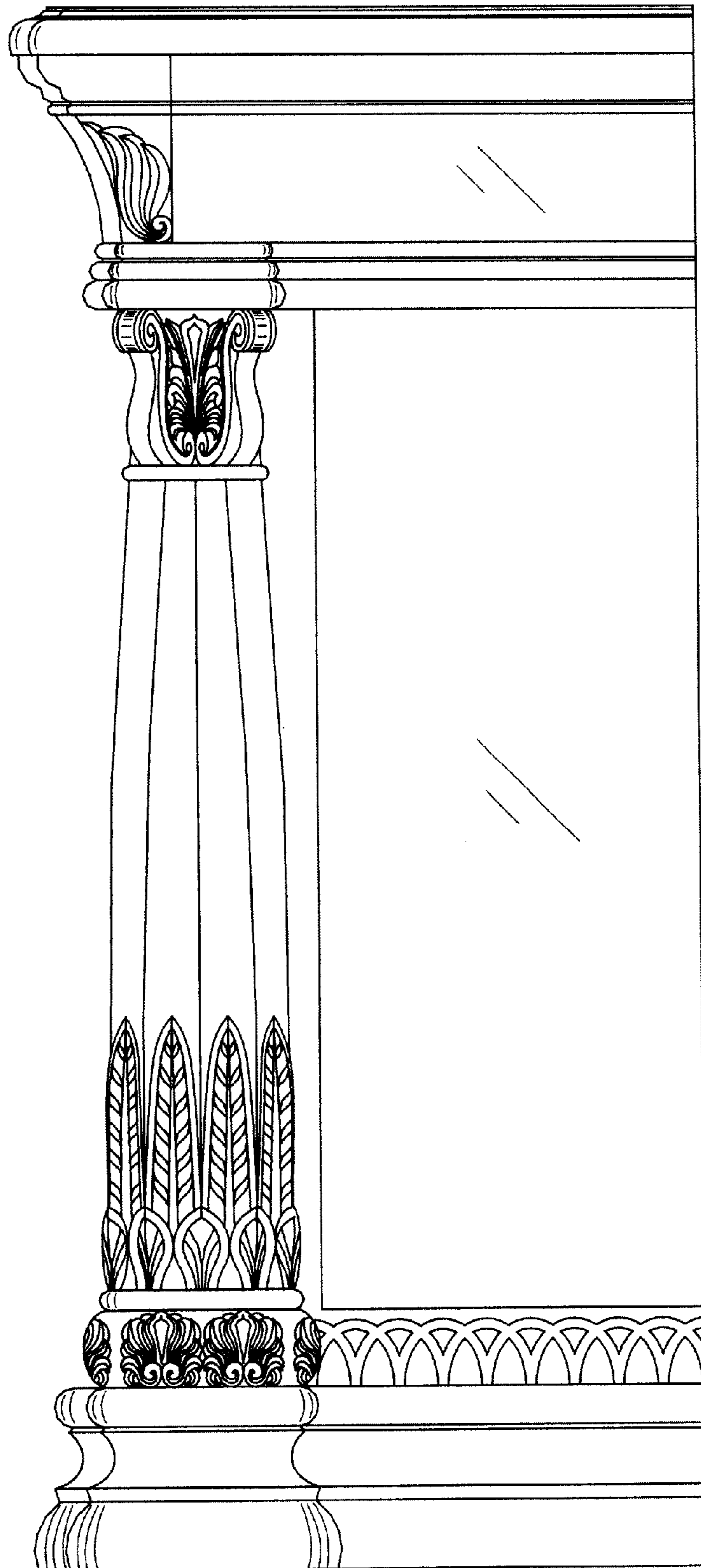


Fig. 3

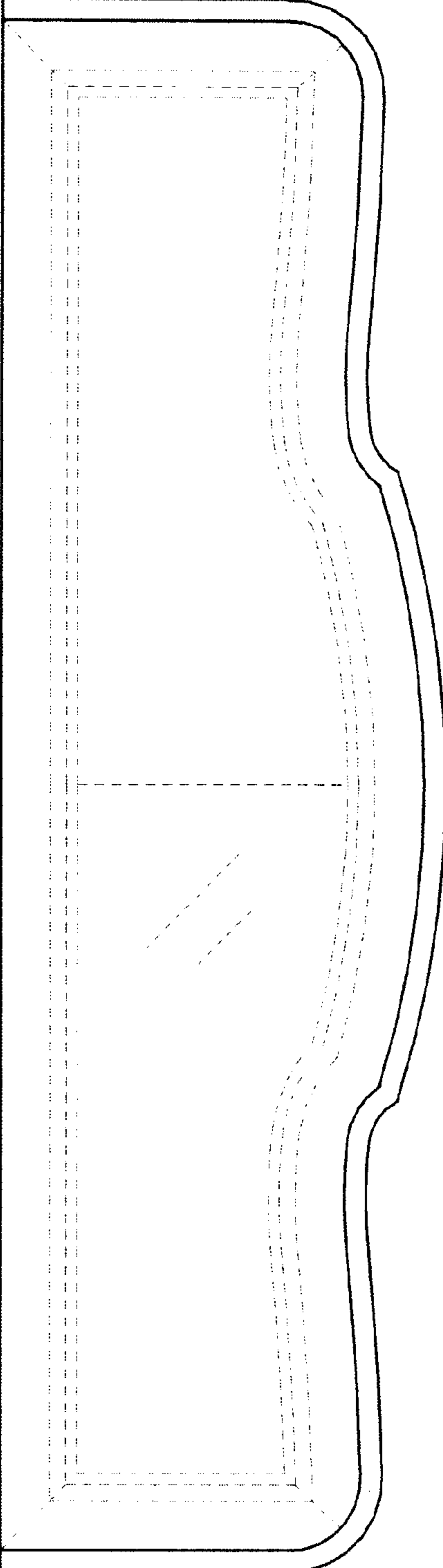


Fig. 4

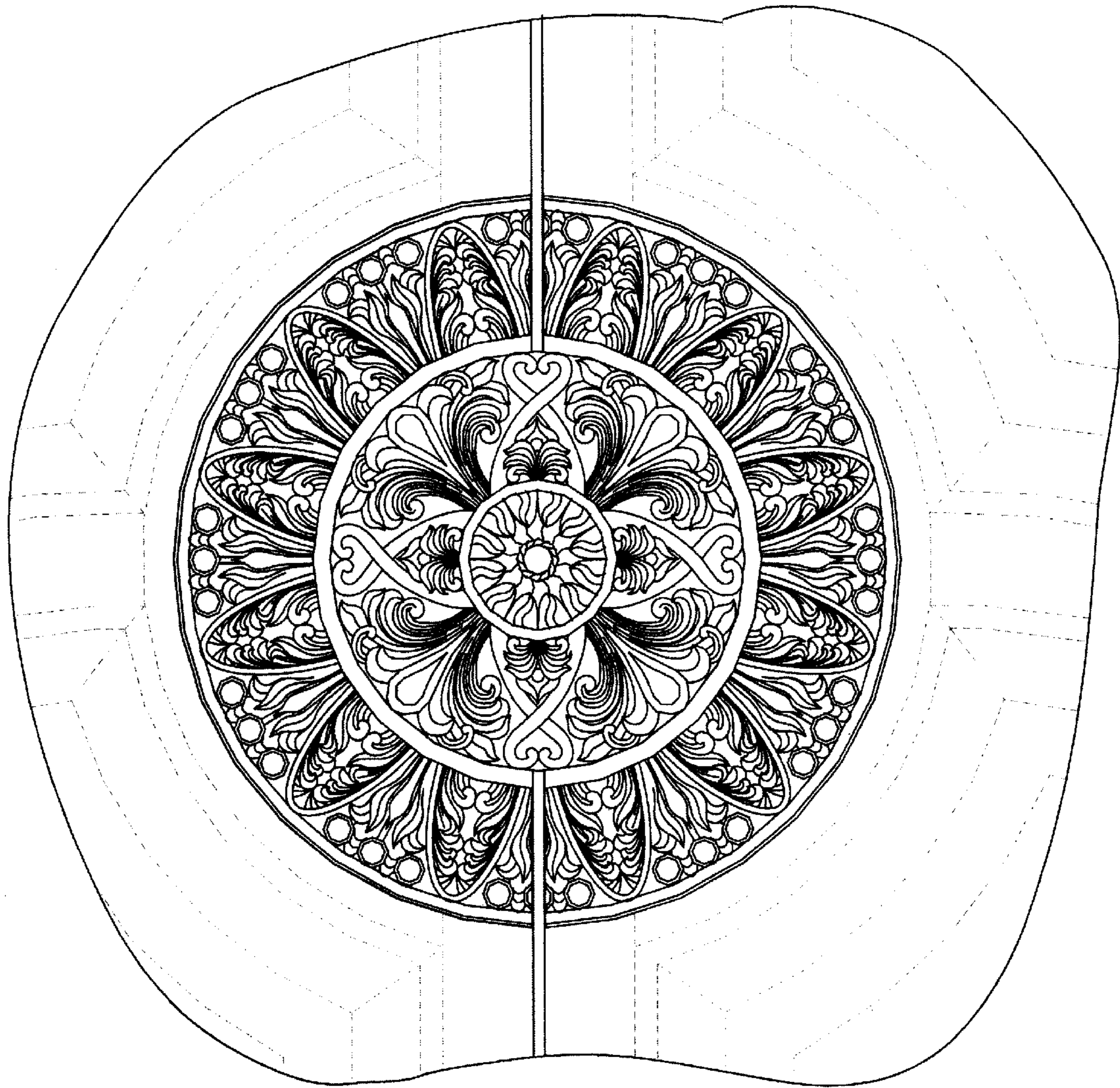


Fig. 5

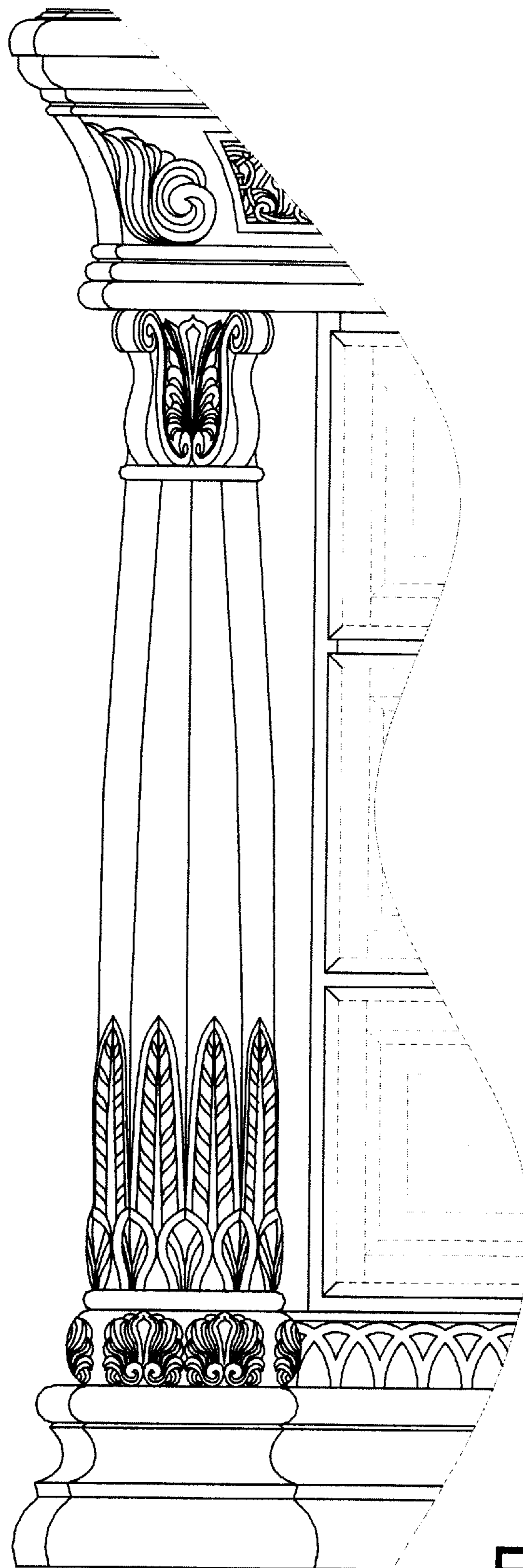


Fig. 6



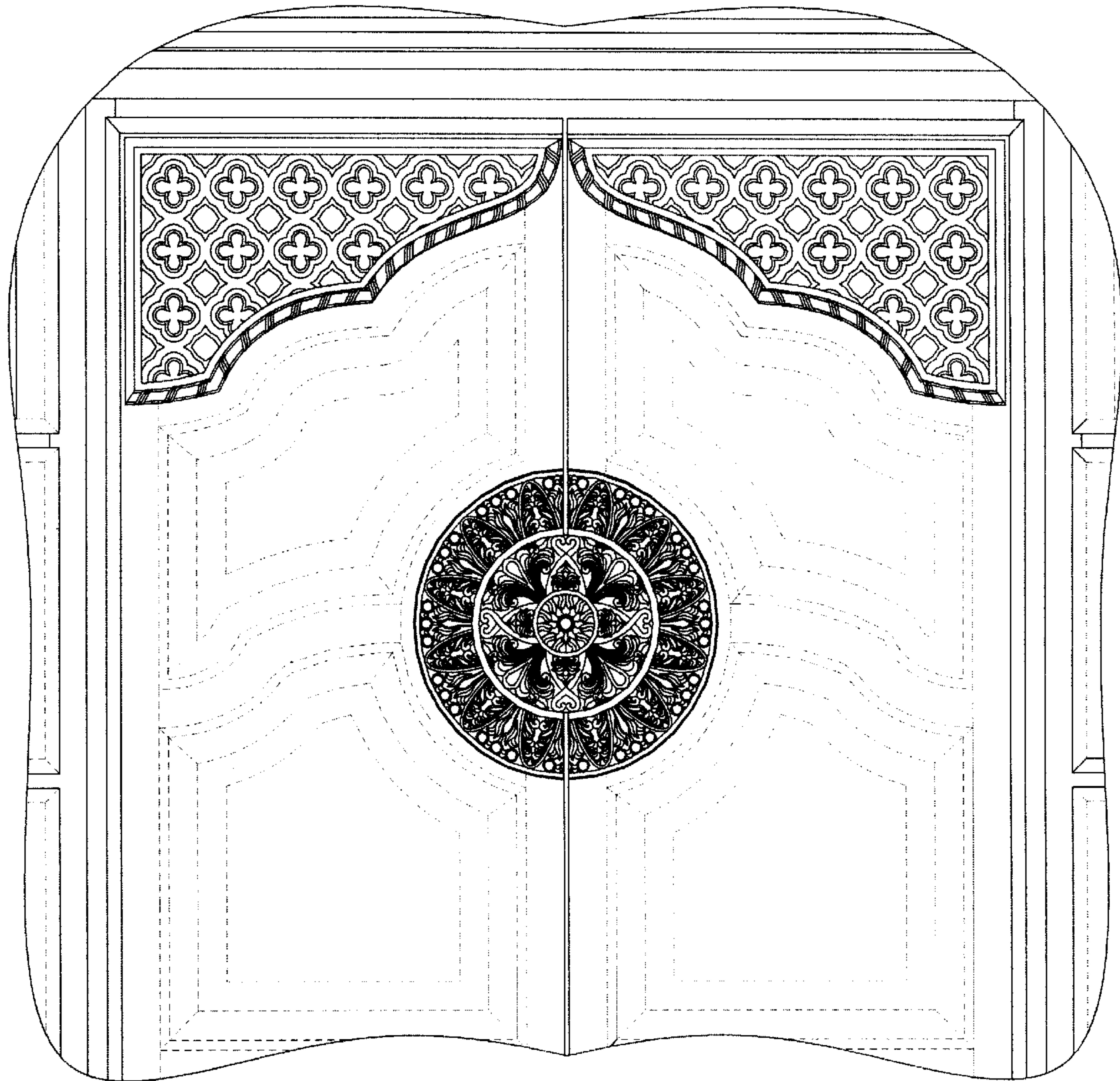


Fig. 7