

US00D532623S

(12) **United States Design Patent**
Tsai

(10) **Patent No.:** **US D532,623 S**

(45) **Date of Patent:** **** Nov. 28, 2006**

(54) **RACK**

(75) Inventor: **Ritter Tsai**, Erh Lin Town (TW)

(73) Assignee: **Huei Tyng Enterprise Co., Ltd.**, Fang Yuan Hsiang (TW)

(**) Term: **14 Years**

(21) Appl. No.: **29/244,551**

(22) Filed: **Dec. 9, 2005**

(30) **Foreign Application Priority Data**

Sep. 16, 2005 (TW) 94305575

(51) **LOC (8) Cl.** **06-04**

(52) **U.S. Cl.** **D6/411**

(58) **Field of Classification Search** D6/396,
D6/410, 411, 413, 414, 415, 477, 479; 211/85.3,
211/85.8, 206, 133.2, 13.1, 85.2, 78, 85.26,
211/181.1, 34; 280/651; 108/59, 91, 92, 149,
108/107, 181

See application file for complete search history.

(56) **References Cited**

U.S. PATENT DOCUMENTS

D130,305 S * 11/1941 Bersin et al. D6/410
D205,666 S * 9/1966 Magnuson D6/469

D316,342 S * 4/1991 Kee D6/410
5,090,725 A * 2/1992 Feldner 280/651
D392,122 S * 3/1998 Peng-Hui D6/465
D432,820 S * 10/2000 Walters-Dowding et al. D6/465
D446,056 S * 8/2001 Dowding et al. D6/499
D470,332 S * 2/2003 Clucas et al. D6/410
D472,731 S * 4/2003 Harwanko D6/410
D474,350 S * 5/2003 Sardis D6/411

* cited by examiner

Primary Examiner—Janice E. Seeger

Assistant Examiner—Sydney R. Buffalo

(74) *Attorney, Agent, or Firm*—Alan D. Kamrath; Nikolai & Mersereau, P.A.

(57) **CLAIM**

The ornamental design for a rack, as shown and described.

DESCRIPTION

FIG. 1 is a perspective view of a rack showing my new design;

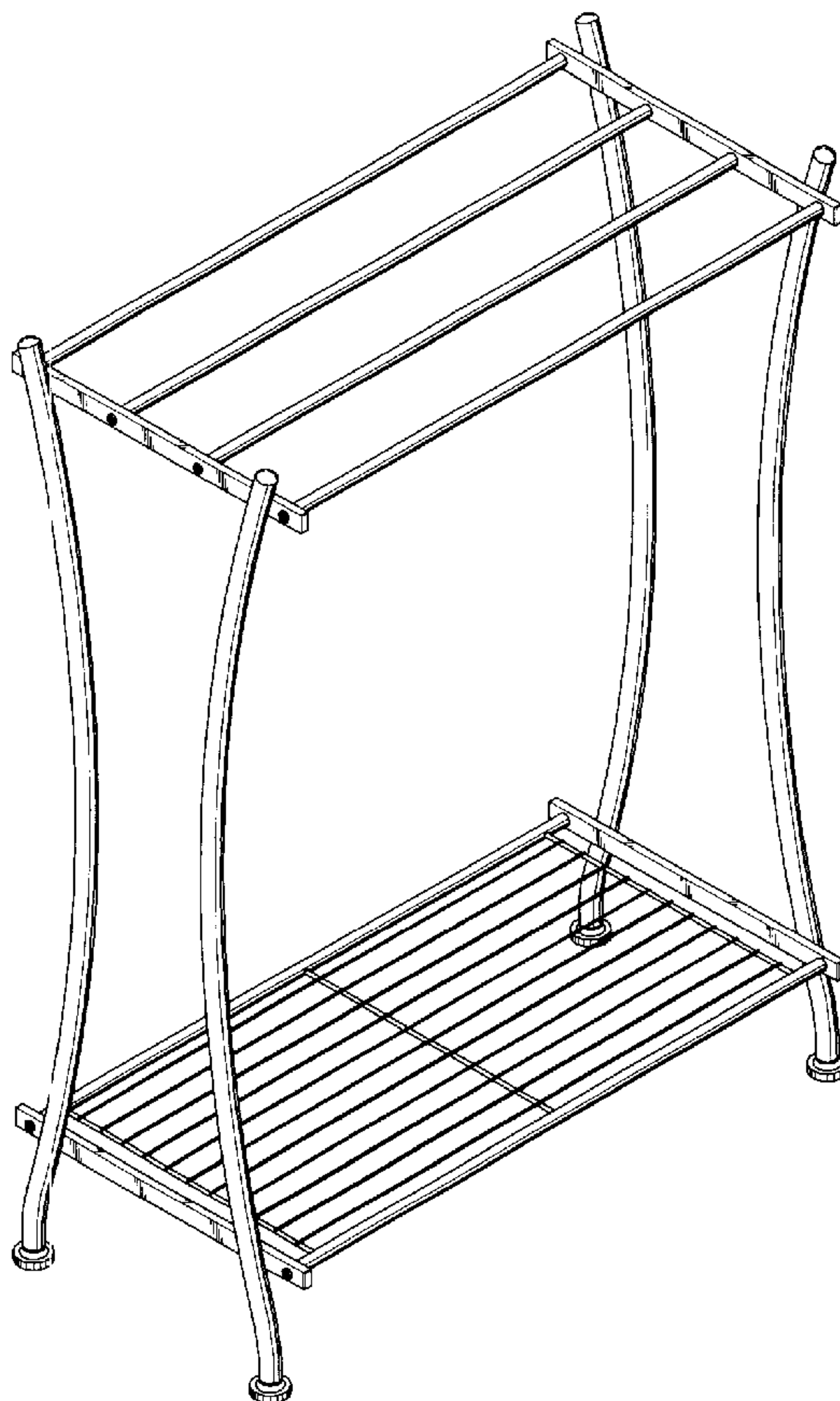
FIG. 2 is a front view thereof; the opposite side being a mirror image of the shown;

FIG. 3 is a left view thereof; the opposite side being a mirror image of the shown;

FIG. 4 is a top view thereof; and,

FIG. 5 is a bottom view thereof.

1 Claim, 3 Drawing Sheets



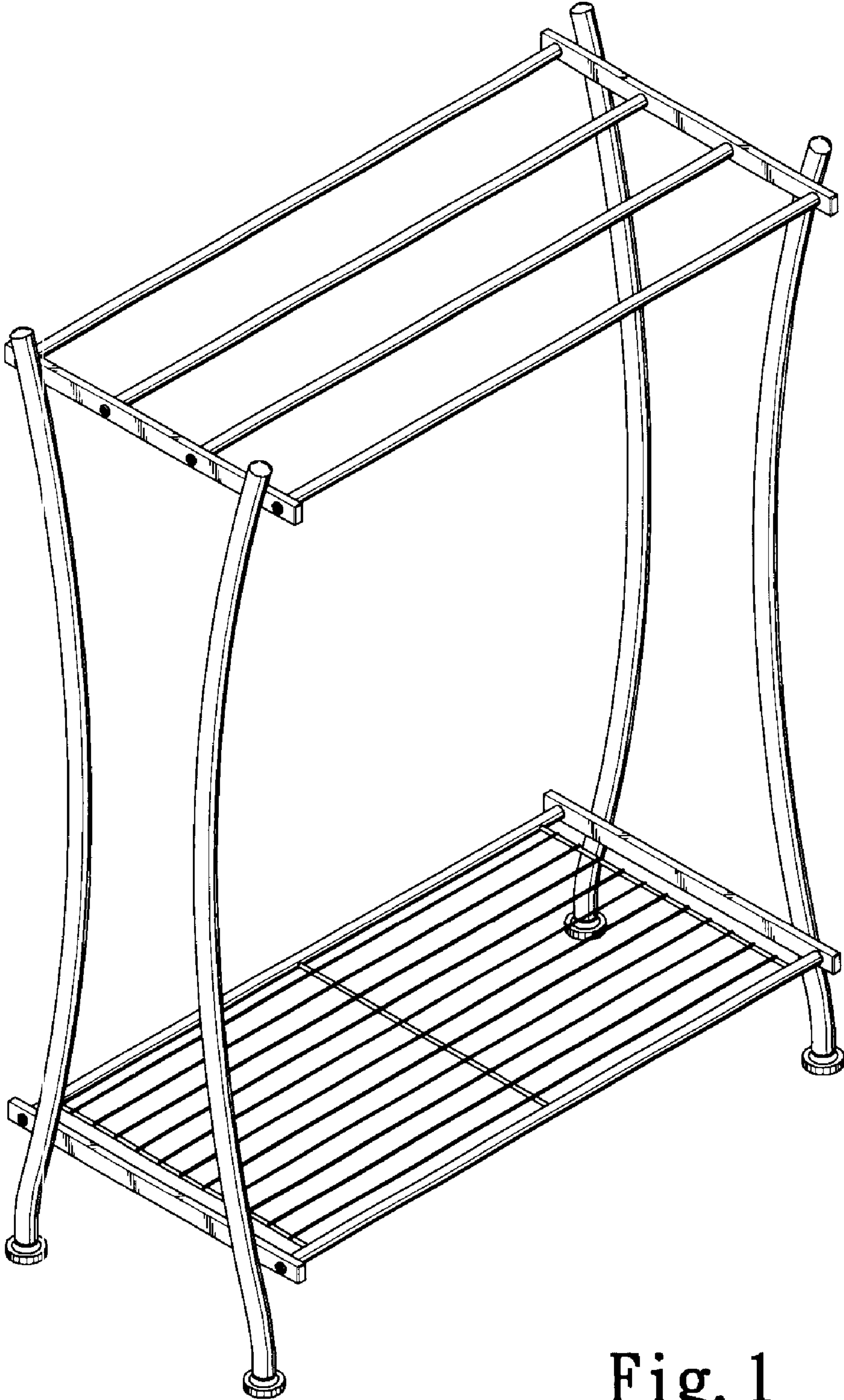


Fig. 1

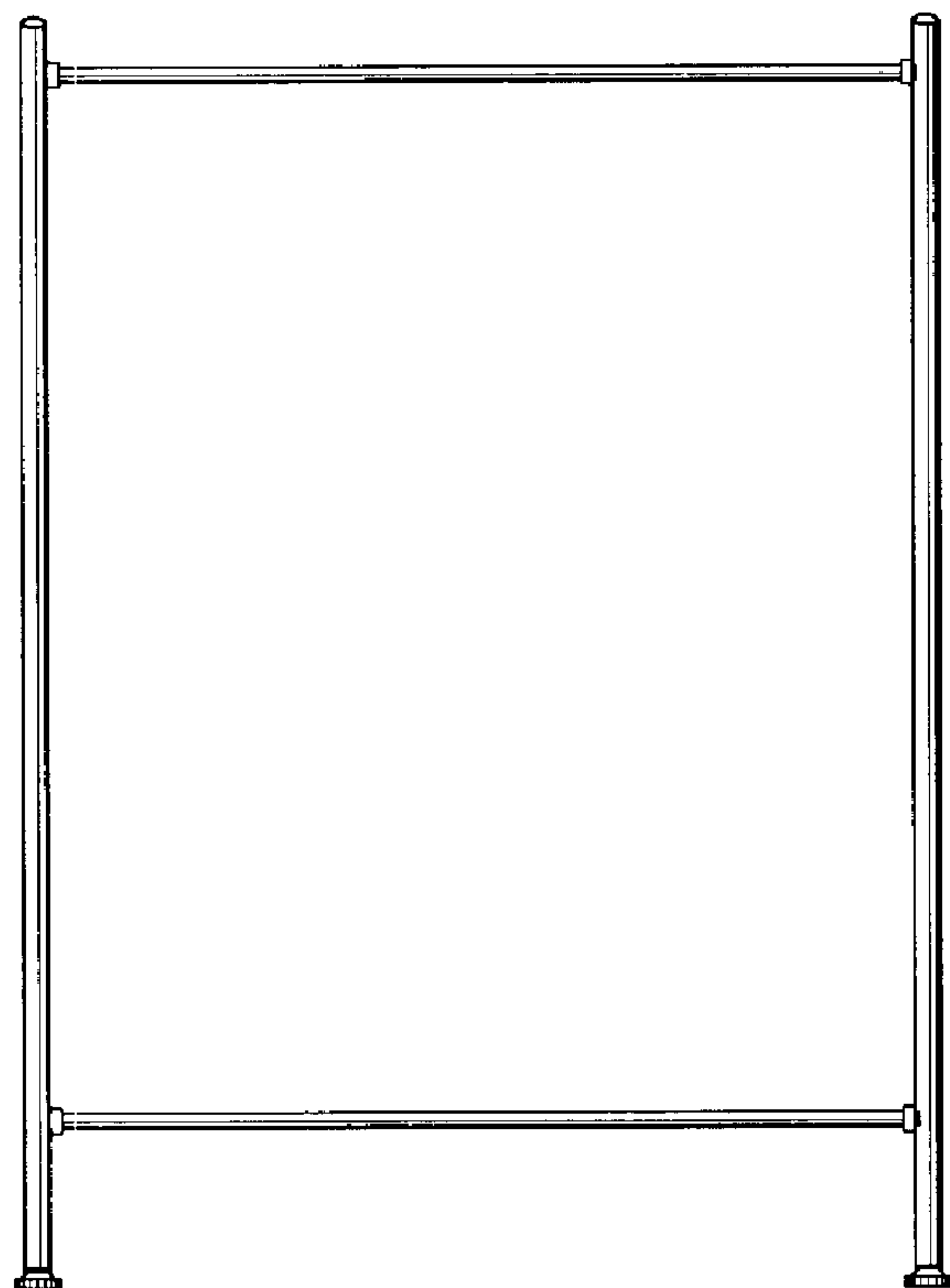


Fig. 2

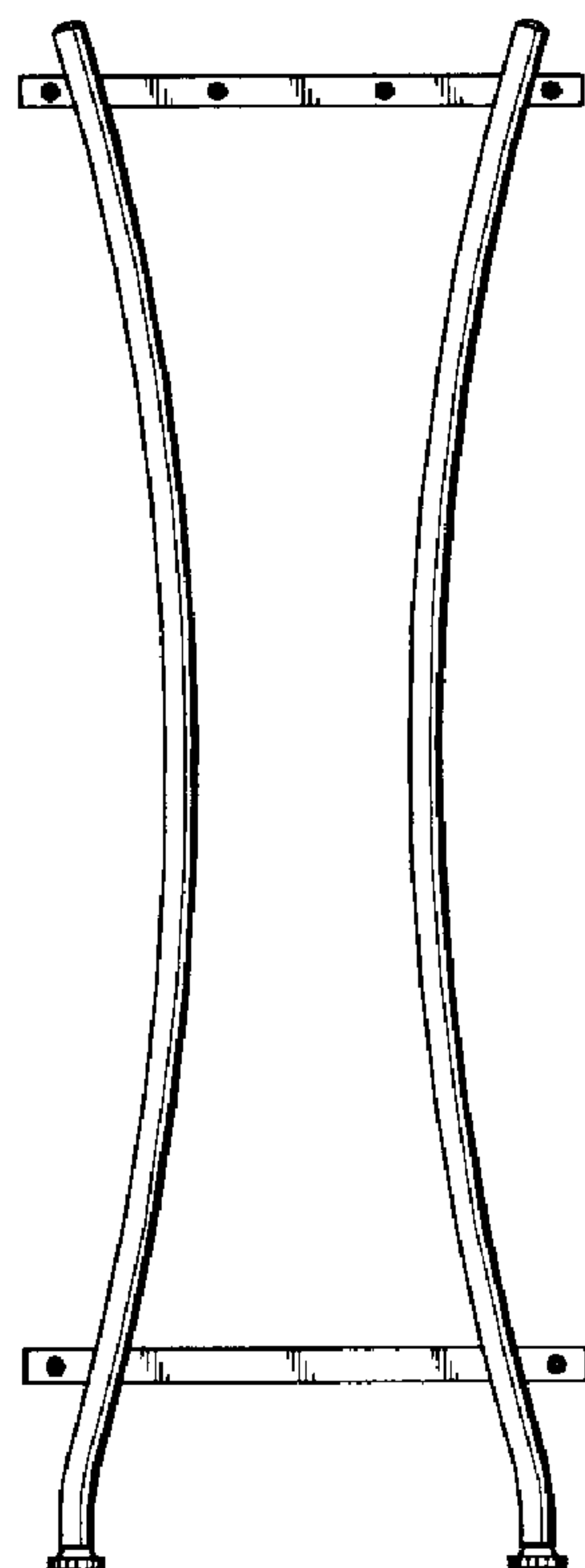


Fig. 3

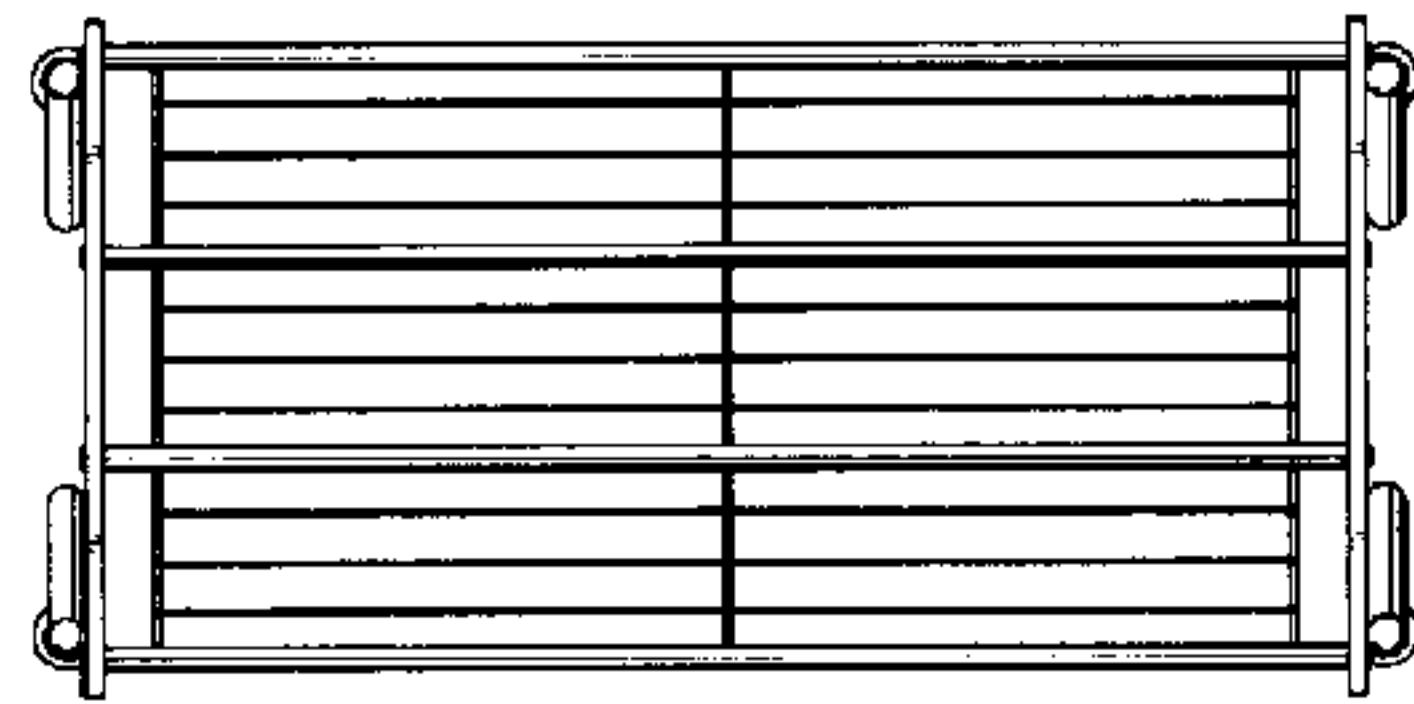


Fig. 4

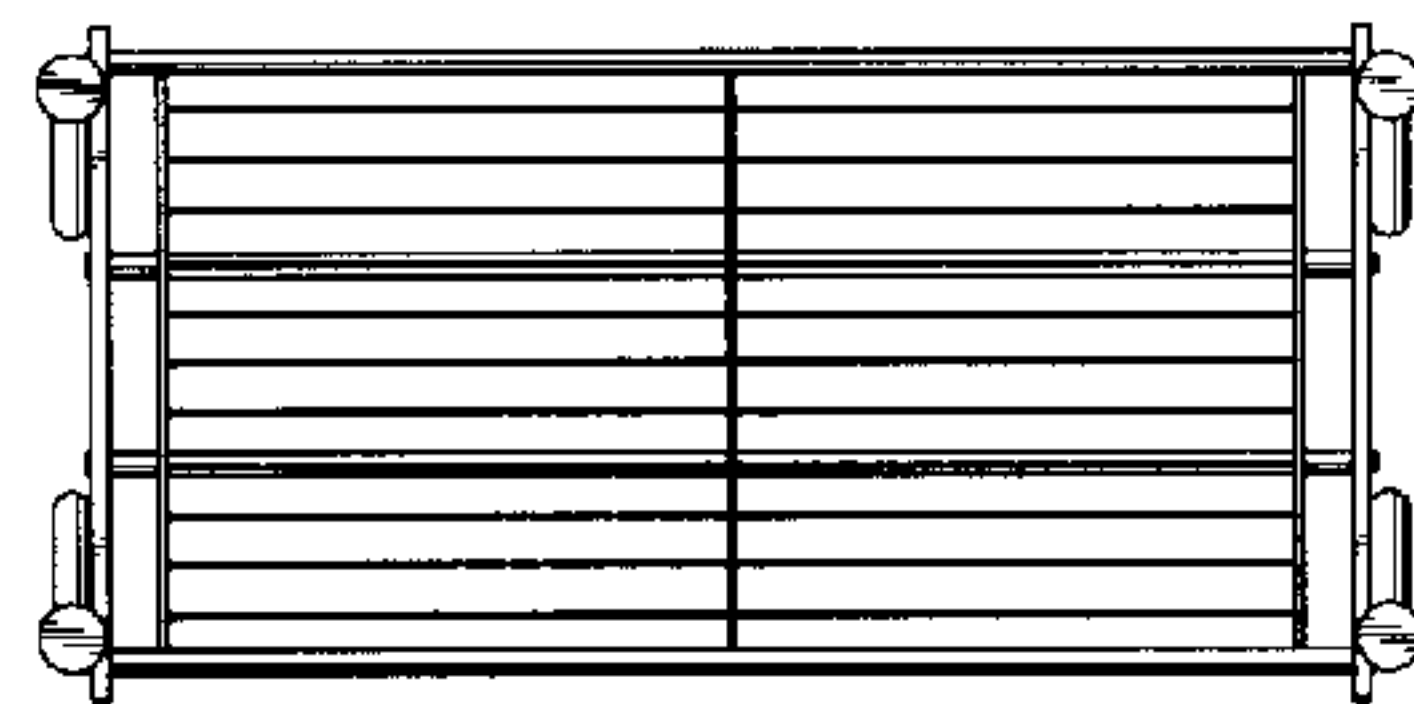


Fig. 5