



US00D532620S

(12) **United States Design Patent**  
**Skalka**

(10) **Patent No.:** **US D532,620 S**

(45) **Date of Patent:** **\*\* Nov. 28, 2006**

(54) **BENCH**

(75) Inventor: **Gerald P. Skalka**, Potomac, MD (US)

(73) Assignee: **Victor Stanley, Inc.**, Dunkirk, MD (US)

(\*\*) Term: **14 Years**

(21) Appl. No.: **29/256,208**

(22) Filed: **Mar. 20, 2006**

**Related U.S. Application Data**

(62) Division of application No. 29/216,297, filed on Nov. 2, 2004.

(51) **LOC (8) Cl.** ..... **06-01**

(52) **U.S. Cl.** ..... **D6/366**

(58) **Field of Classification Search** ..... D6/332,  
D6/335-337, 340, 349, 355, 352-353, 369-370,  
D6/381, 495, 499-502; 5/12.1; 108/118,  
108/119, 137; 297/16.1-16.2, 451.9, 452.11,  
297/452.63, 217.1, 31, 175, 423.1, 423.16,  
297/461, 232

See application file for complete search history.

(56) **References Cited**

**U.S. PATENT DOCUMENTS**

D9,887 S	4/1877	Goodwin	
359,790 A *	3/1887	Knott	297/55
D185,164 S	5/1959	Molla	
D216,115 S	11/1969	Suzuki	
D225,946 S	1/1973	Morrison et al.	
D233,964 S	12/1974	Morrison et al.	
D263,353 S	3/1982	Beals	
D278,776 S	5/1985	Kime	
D294,782 S	3/1988	Balderi	
D314,677 S	2/1991	Hanna	
D336,796 S	6/1993	Chang	
D341,267 S	11/1993	Caldwell	
D345,261 S	3/1994	Chen	
D351,290 S	10/1994	Chen	
D361,901 S	9/1995	Szekely	

D365,937 S	*	1/1996	Skalka	.....	D6/370
D366,773 S		2/1996	Yurk		
D370,570 S		6/1996	Green et al.		
D372,133 S		7/1996	Slear		
D376,271 S		12/1996	Skalka		
D376,937 S		12/1996	Skalka		
D378,965 S	*	4/1997	Yurk	.....	D6/500
D380,313 S		7/1997	Slear		
D383,615 S		9/1997	Skalka		
D384,512 S		10/1997	Skalka		
D386,012 S		11/1997	Skalka		
D396,358 S	*	7/1998	Geier	.....	D6/349
D396,963 S		8/1998	Jeng		
D399,662 S		10/1998	Jeng		
D401,770 S		12/1998	Jeng		
D406,700 S		3/1999	Slear		
D408,660 S		4/1999	Donnelly		
D409,011 S		5/1999	Jeng		
D409,401 S		5/1999	Jeng		
D409,402 S		5/1999	Jeng		
D409,410 S		5/1999	Jeng		
D409,850 S		5/1999	Jeng		
D413,738 S		9/1999	Hornyak		

(Continued)

*Primary Examiner*—Sandra S. Snapp

(74) *Attorney, Agent, or Firm*—Jacobson Holman PLLC

(57) **CLAIM**

The ornamental design for a bench, as shown and described.

**DESCRIPTION**

FIG. 1 is a perspective view of a bench showing my new design.

FIG. 2 is a right side elevational view of the bench of FIG. 1, the left side view being a mirror image thereof.

FIG. 3 is a top plan view of the bench of FIG. 1.

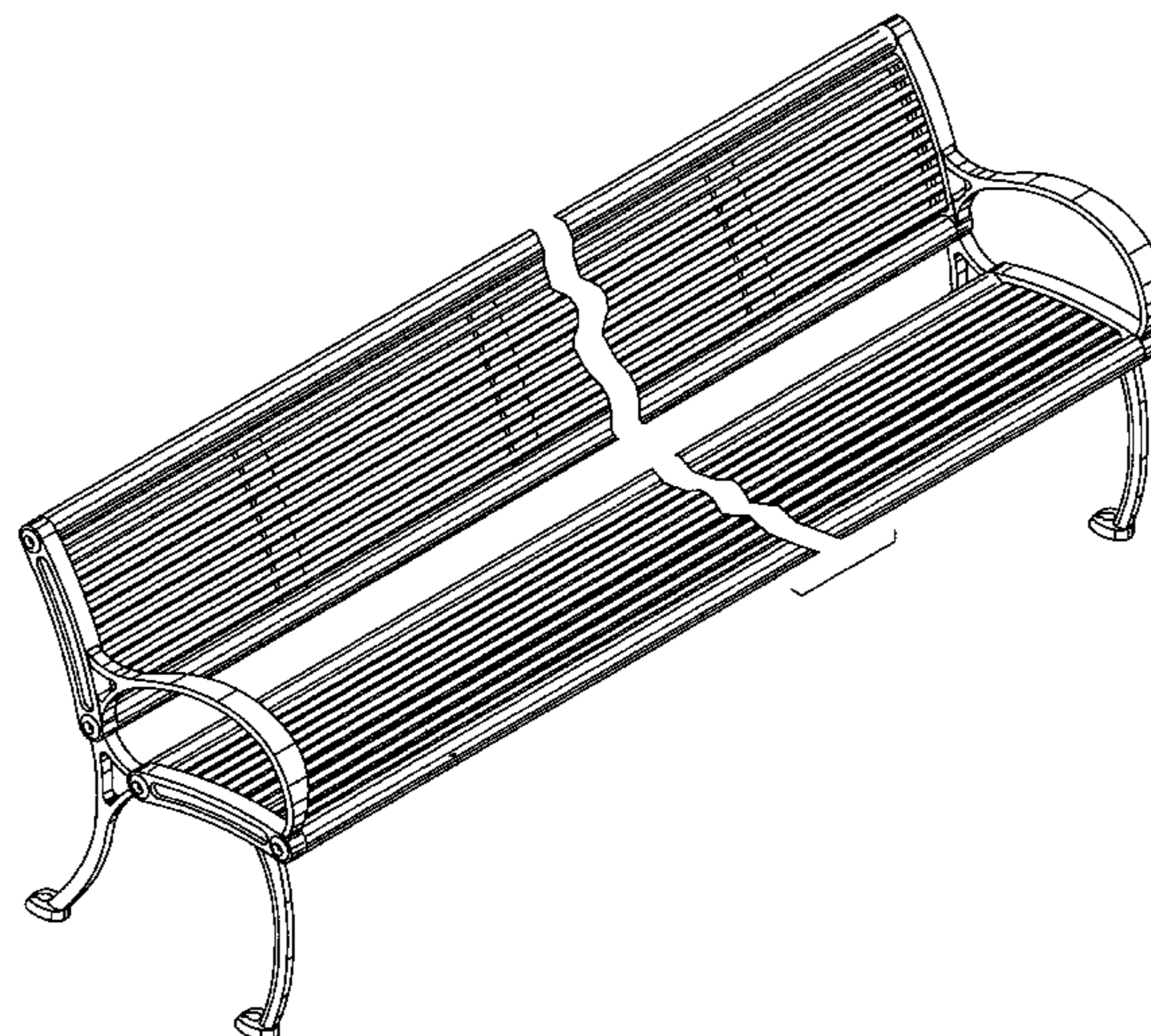
FIG. 4 is a bottom plan view of the bench of FIG. 1.

FIG. 5 is a front elevational view of the bench of FIG. 1; and,

FIG. 6 is a back elevational view of the bench of Figure.

The slats of the bench are shown broken-away in the views to indicate indeterminate length.

**1 Claim, 3 Drawing Sheets**



# US D532,620 S

Page 2

---

## U.S. PATENT DOCUMENTS

D419,341 S	1/2000	Chipman	D473,063 S	4/2003	Pappas	
D446,399 S	8/2001	Slear	D473,391 S	4/2003	Haney et al.	
D457,742 S	5/2002	Arnold	D482,885 S	* 12/2003	Chipman .....	D6/370
D458,044 S	6/2002	Slear et al.	D486,004 S	2/2004	Haney et al.	
D466,318 S	12/2002	Arnold	D486,664 S	2/2004	Pappas	
D467,101 S	12/2002	Hughes	D488,934 S	4/2004	Milinov	
D468,126 S	1/2003	Pappas	D498,079 S	11/2004	Messier	
D468,550 S	1/2003	Pappas				

\* cited by examiner



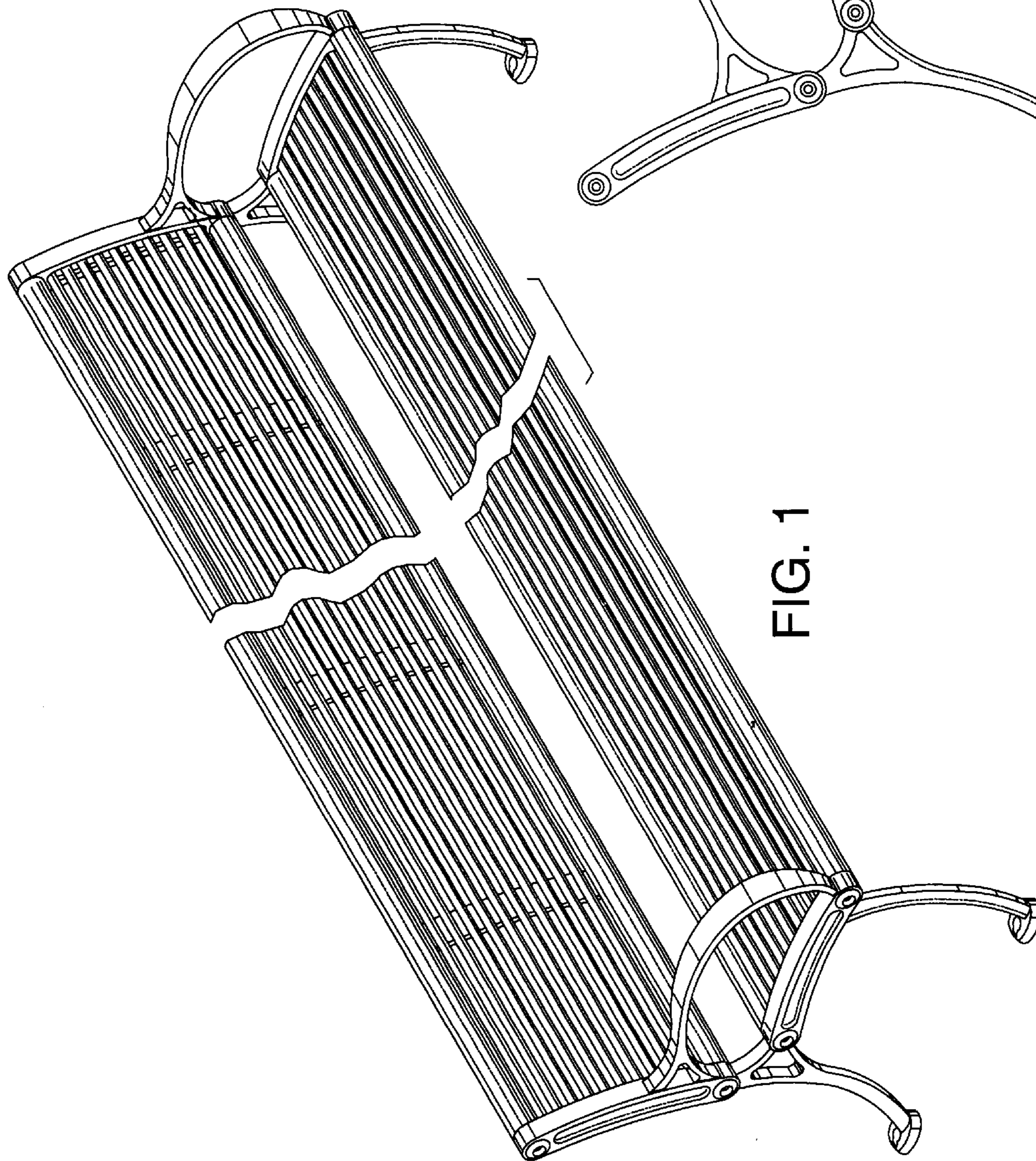


FIG. 1

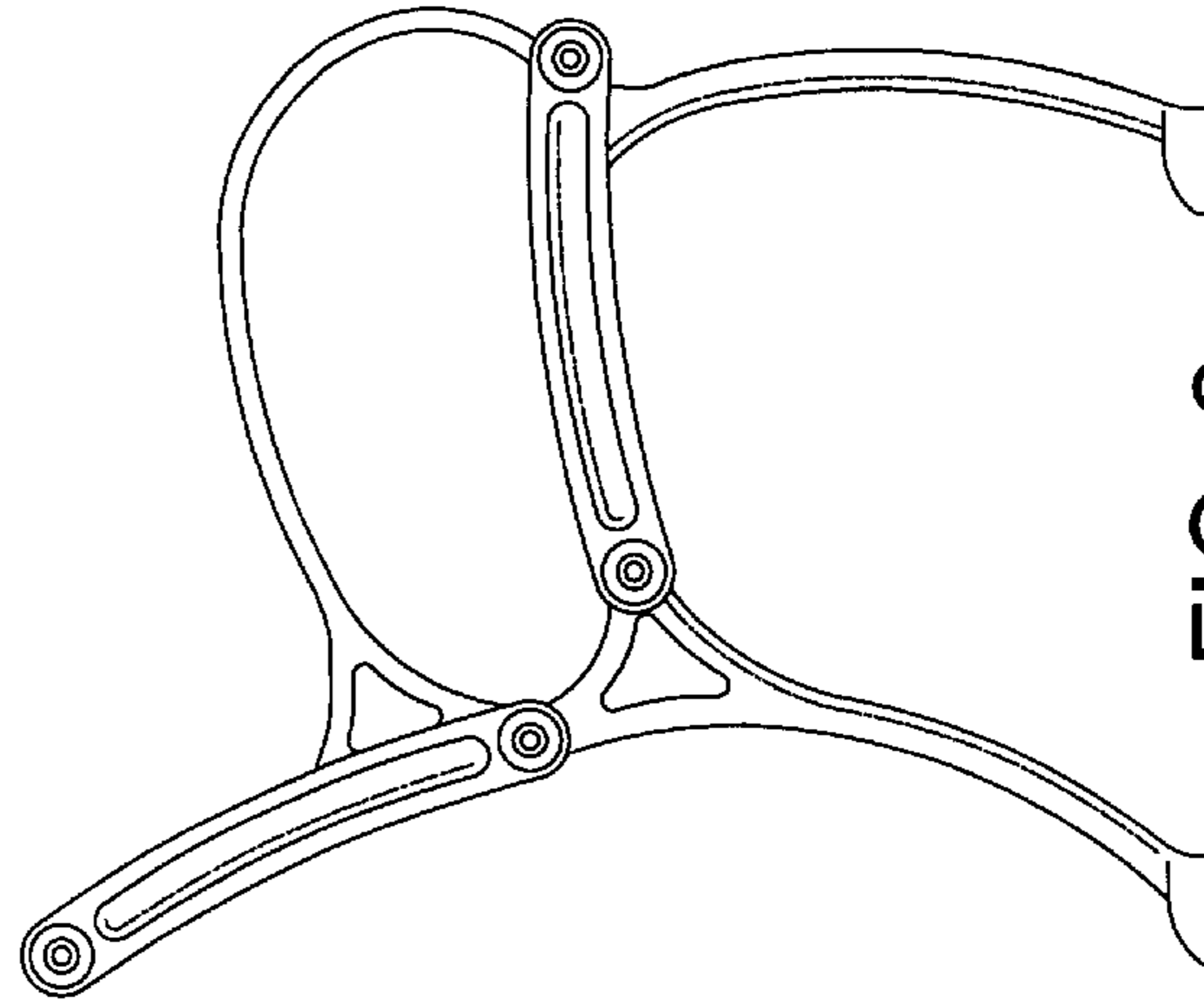


FIG. 2

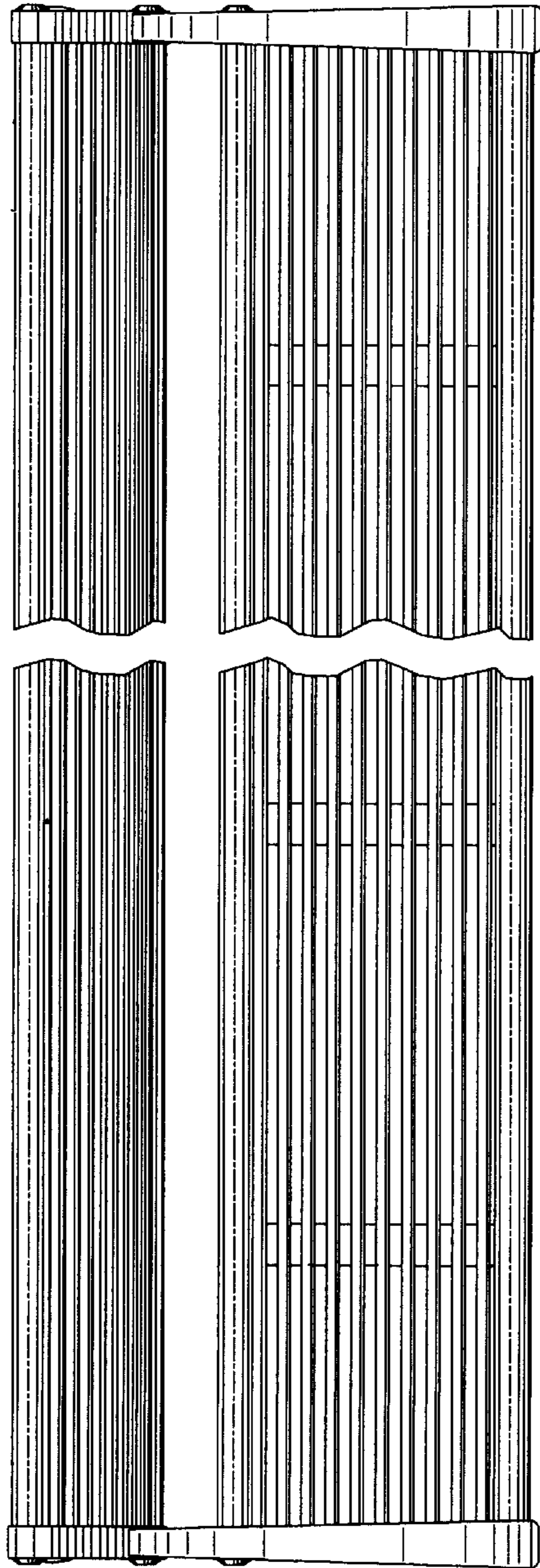


FIG.3

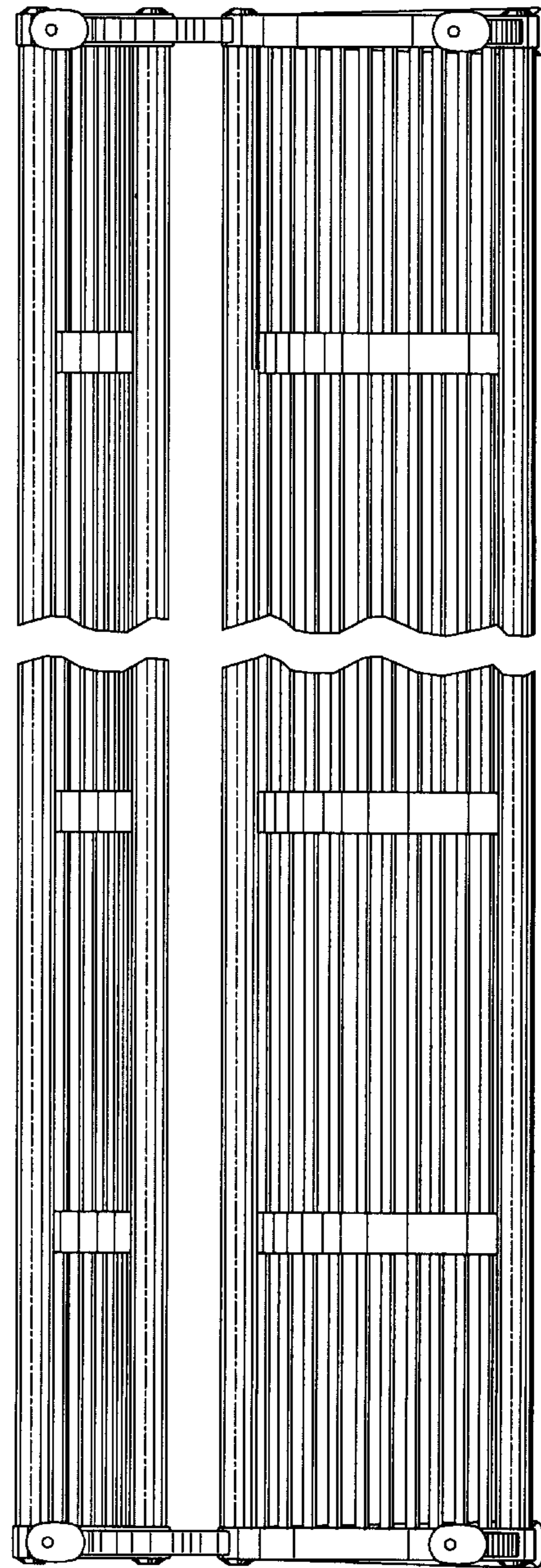


FIG.4

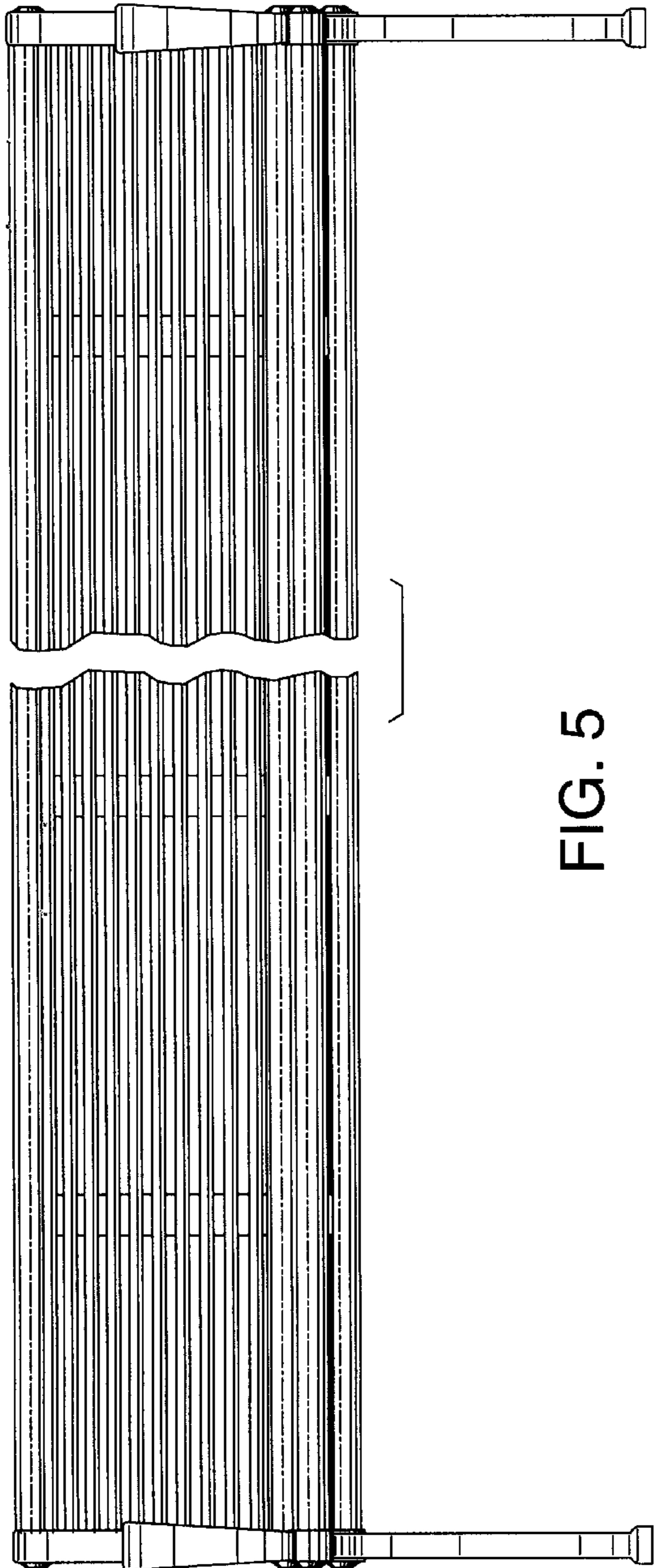


FIG. 5

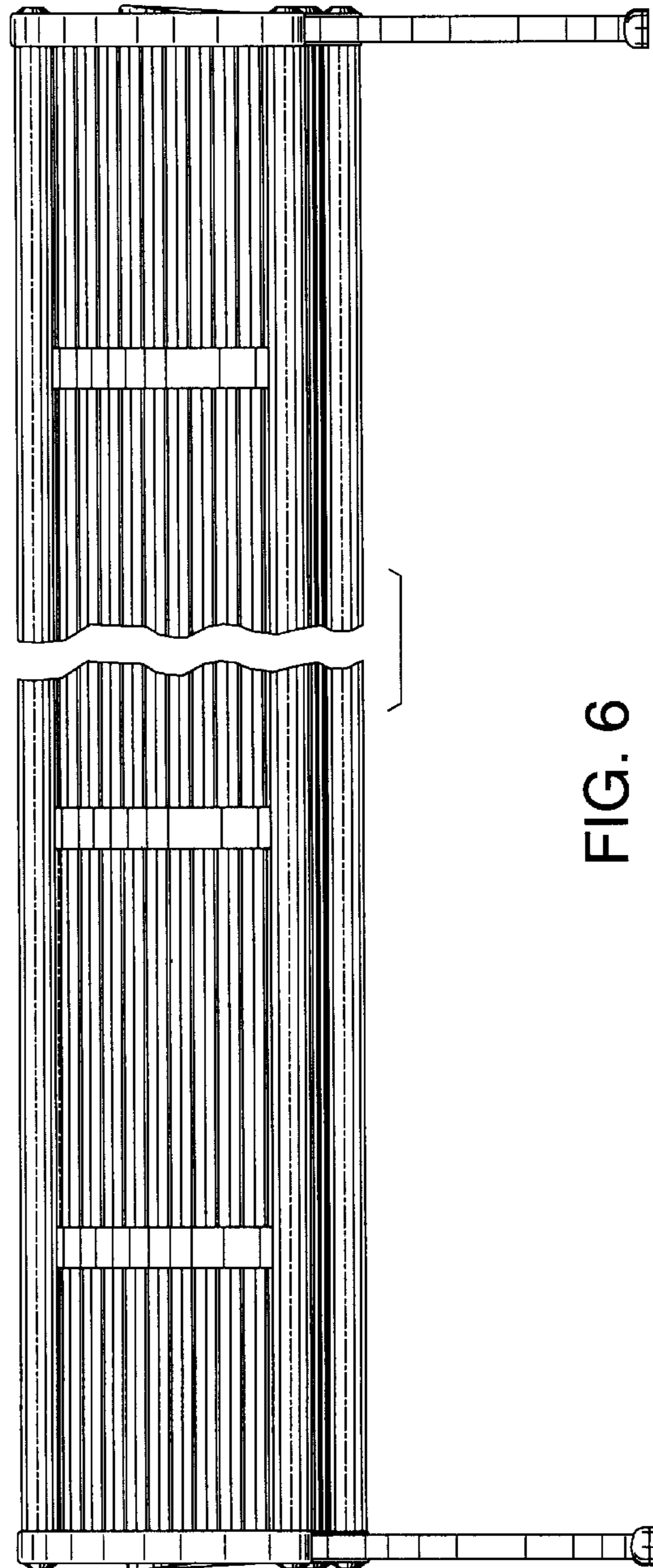


FIG. 6