



US00D532618S

(12) **United States Design Patent**
Mourgue

(10) **Patent No.:** **US D532,618 S**
(45) **Date of Patent:** **** Nov. 28, 2006**

(54) **OTTOMAN**

D439,447 S * 3/2001 Diekman D6/486
D471,888 S * 3/2003 Solland D14/204

(75) Inventor: **Pascal Mourgue**, Montreuil sous Bois
(FR)

(73) Assignee: **Cinna**, De Briord (FR)

(**) Term: **14 Years**

(21) Appl. No.: **29/207,489**

(22) Filed: **Jun. 15, 2004**

(30) **Foreign Application Priority Data**

Jan. 7, 2004 (EM) 000 126 016

(51) **LOC (8) Cl.** **06-01**

(52) **U.S. Cl.** **D6/352**

(58) **Field of Classification Search** D6/334-339,
D6/349, 352, 364-366, 353, 369, 370, 495,
D6/500-502; 5/12.1; 297/445.1, 232, 446.1,
297/447.3, 448.1, 452.1

See application file for complete search history.

(56) **References Cited**

U.S. PATENT DOCUMENTS

2,805,430 A * 9/1957 Philbrick 114/363
4,185,125 A * 1/1980 Sakakibara et al. 426/439
4,618,924 A * 10/1986 Hinds 700/86
4,666,162 A * 5/1987 Campbell 273/249
D430,412 S * 9/2000 Lewis D6/334
D431,379 S * 10/2000 Lewis D6/334

OTHER PUBLICATIONS

Modern Plastics Corp. ad, series 200—Radius Cube, 1 pg.*
Interior Design Article, Feb. 1989, 1 pg., Ke-zu arm chair
with ottoman.*
In-Stock monofom cube tables ad, pp. 4 & 5, Intrex Inc.
1983 catalog.*

* cited by examiner

Primary Examiner—Sandra S. Snapp

(74) *Attorney, Agent, or Firm*—Mathews, Shepard, McKay
& Bruneau, P.A.

(57) **CLAIM**

The ornamental design for an ottoman, as shown and
described.

DESCRIPTION

FIG. 1 is a front elevational view, showing my new design
for a ottoman.

FIG. 2 is a right side elevational view thereof.

FIG. 3 is a left side elevational view thereof.

FIG. 4 is a rear view thereof.

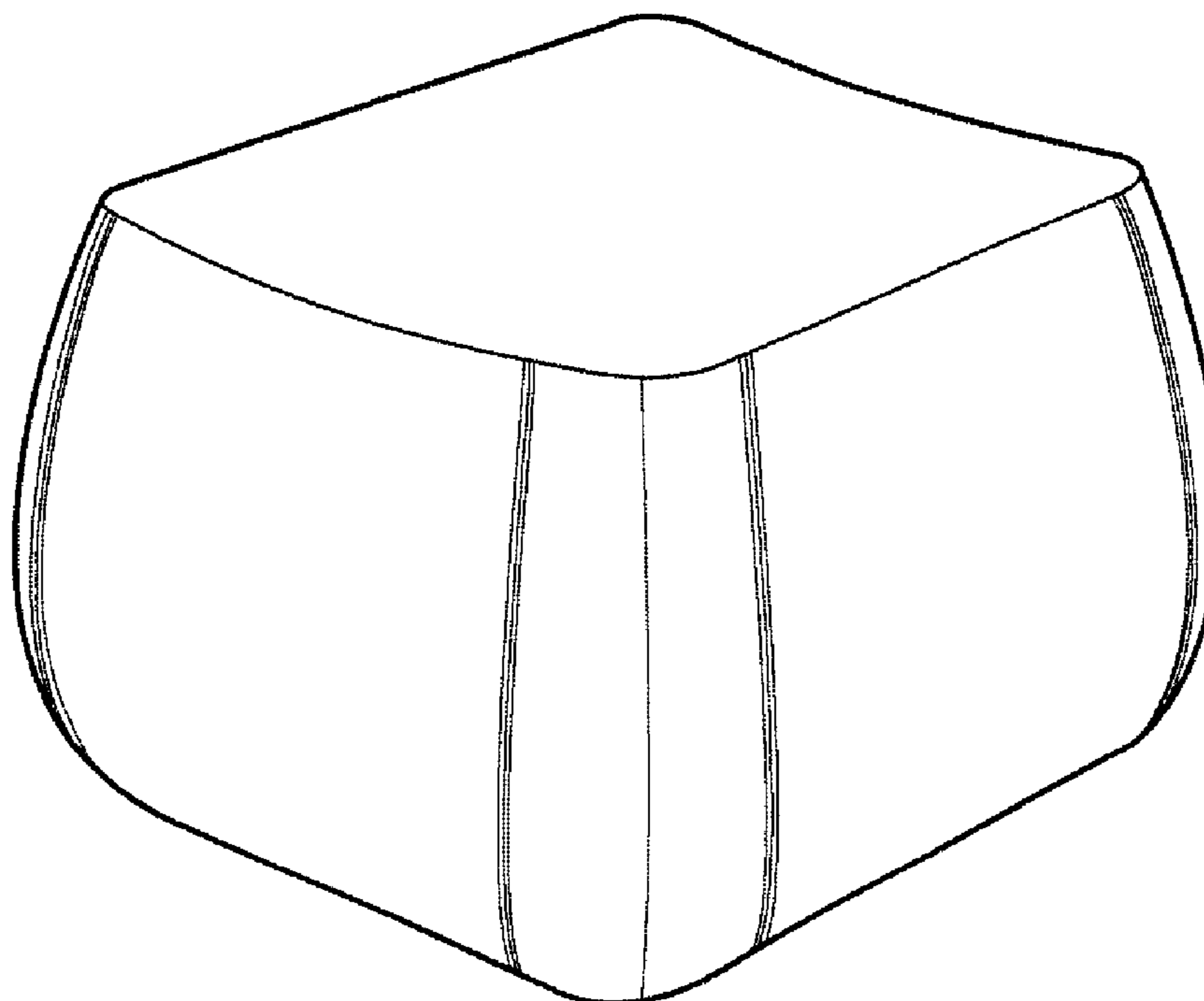
FIG. 5 is a front and top perspective thereof.

FIG. 6 is a rear and top perspective thereof.

FIG. 7 is a top plan view thereof; and,

FIG. 8 is a bottom plan view thereof.

1 Claim, 4 Drawing Sheets



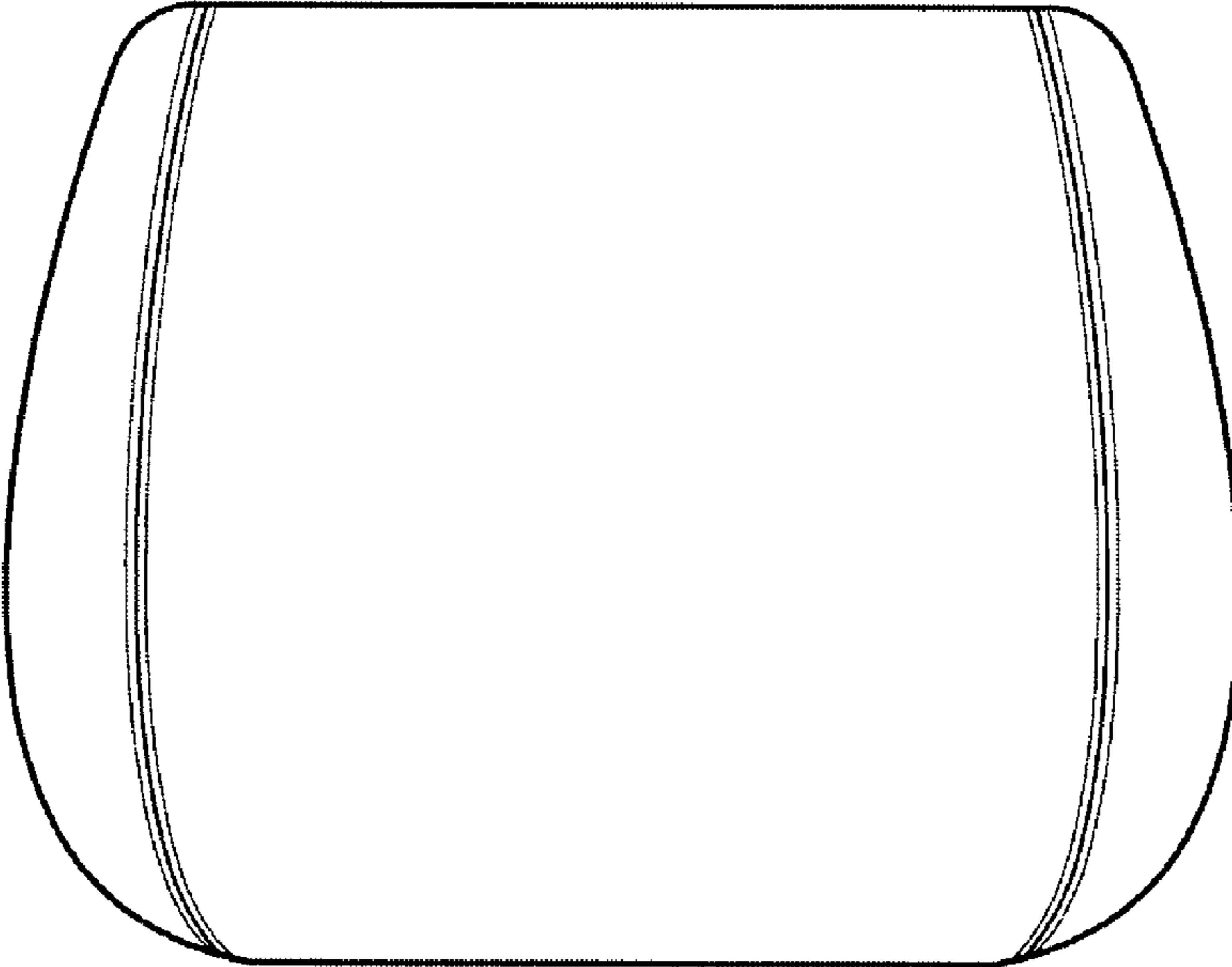


FIG. 1

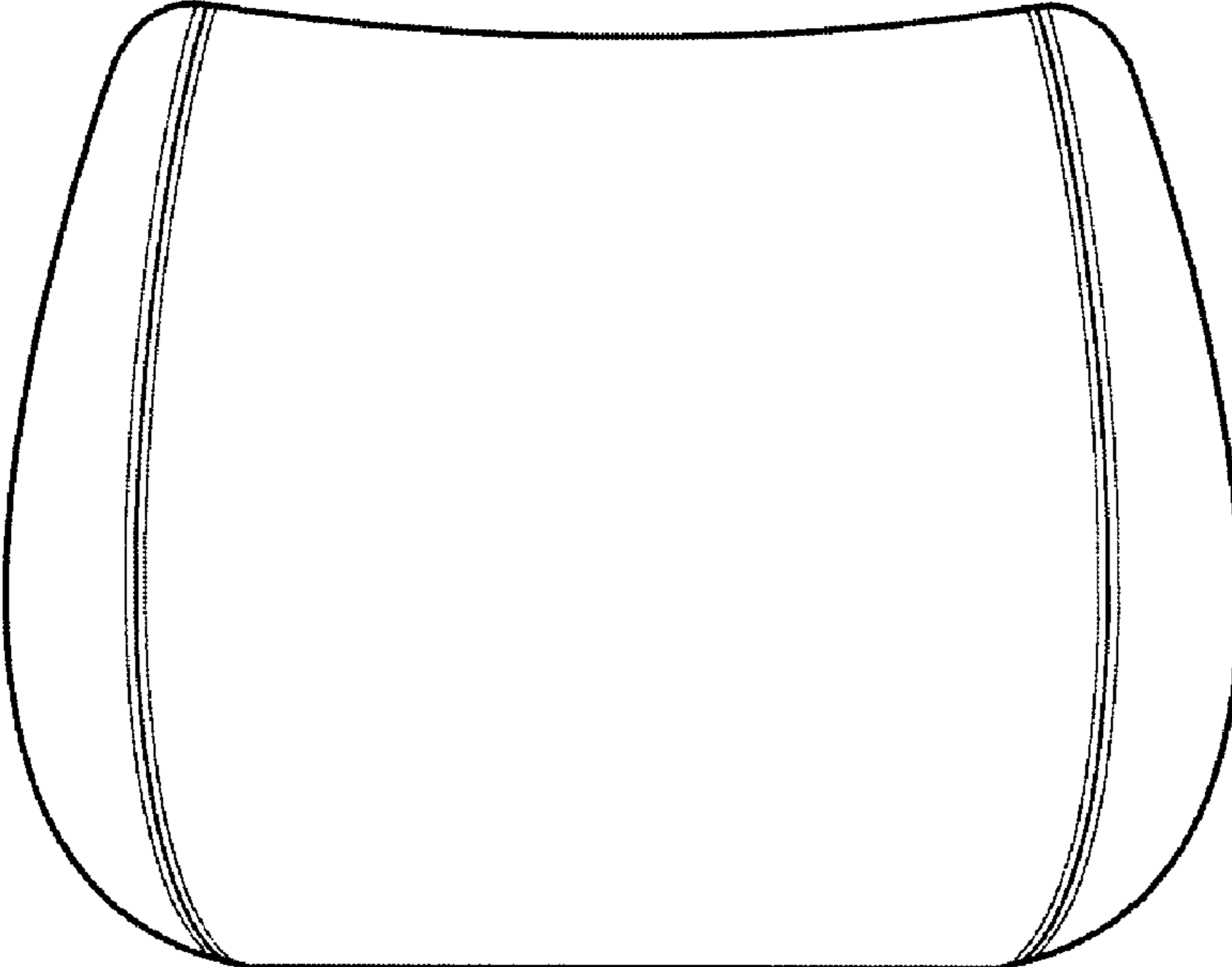


FIG. 2

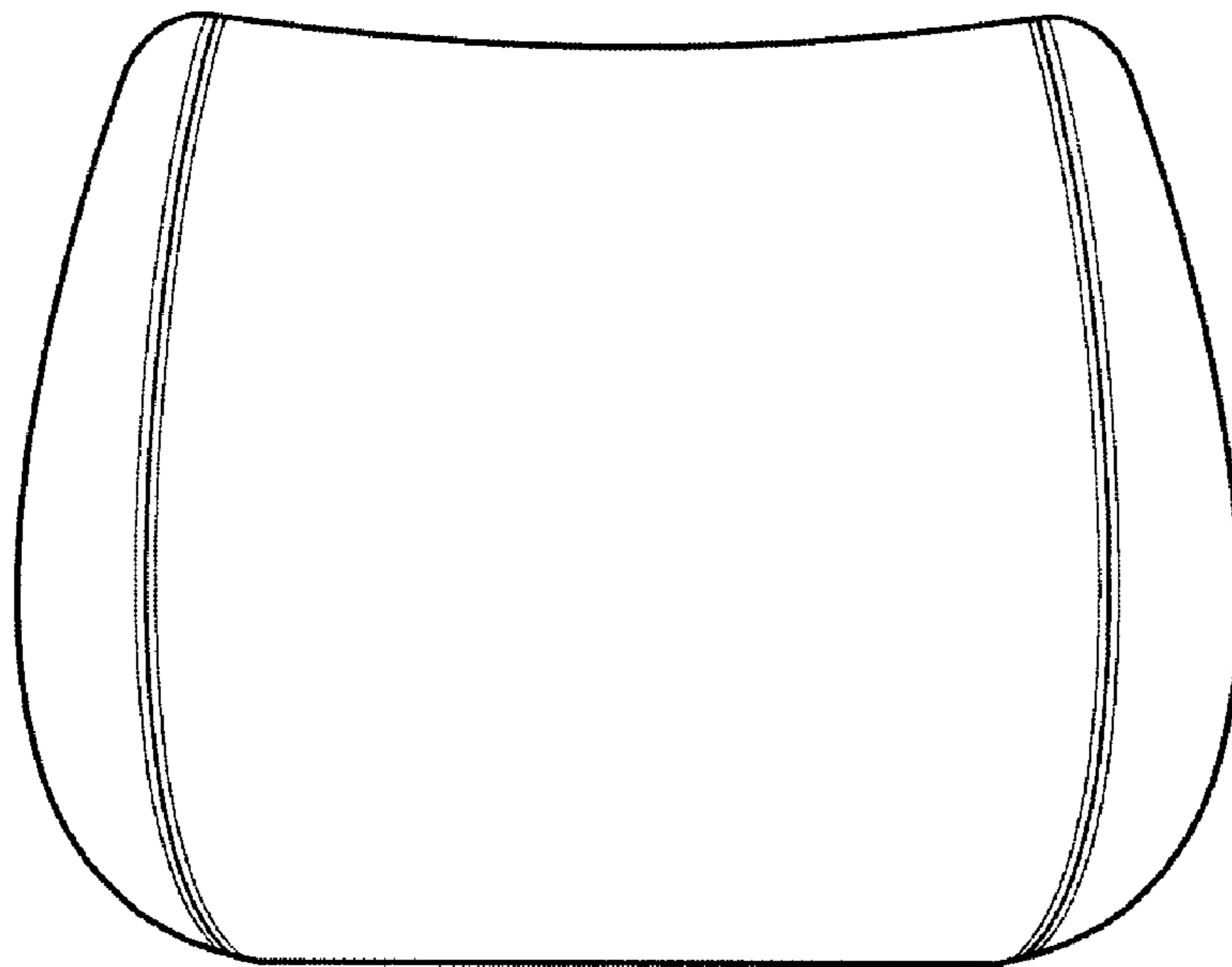


FIG. 3

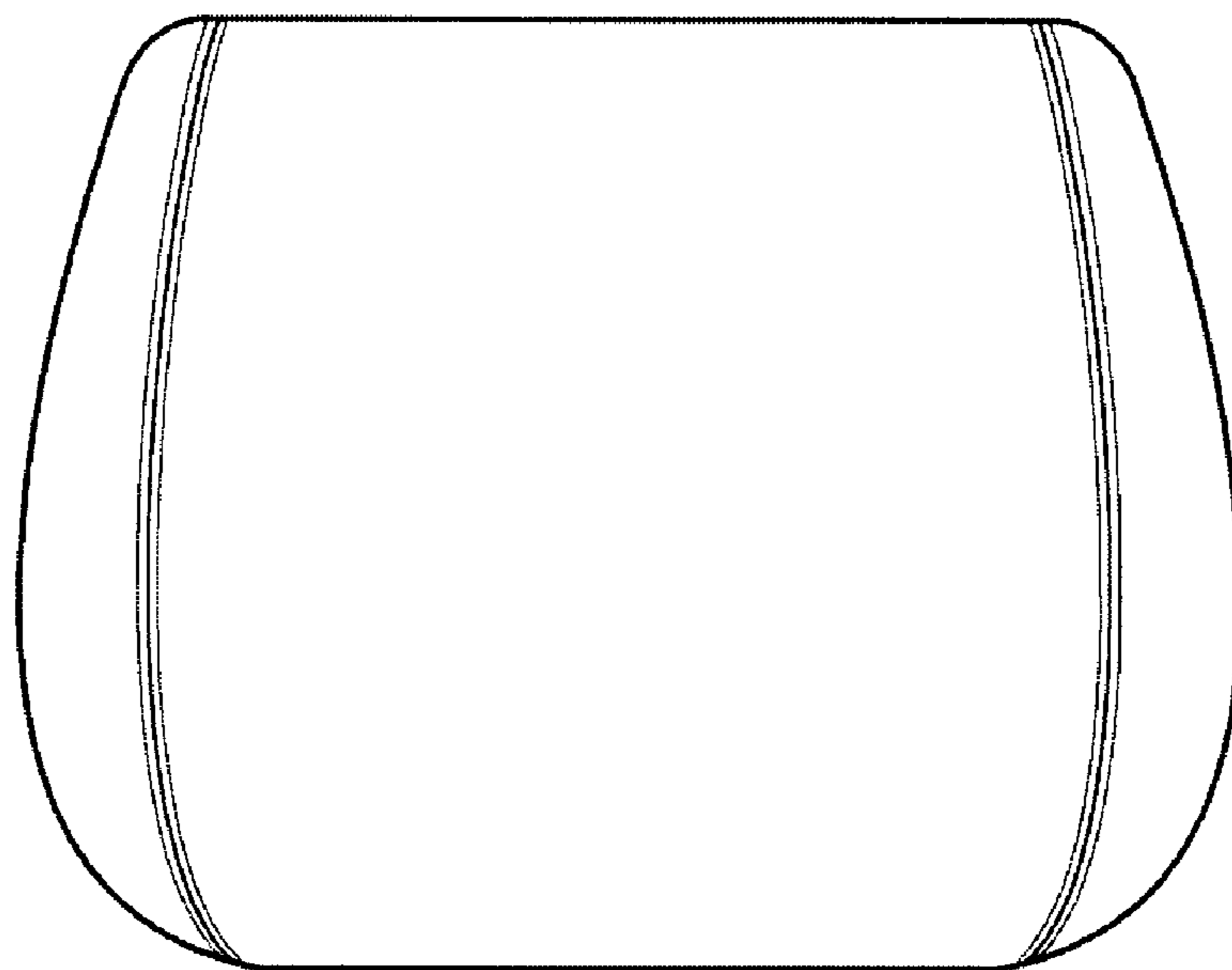


FIG. 4

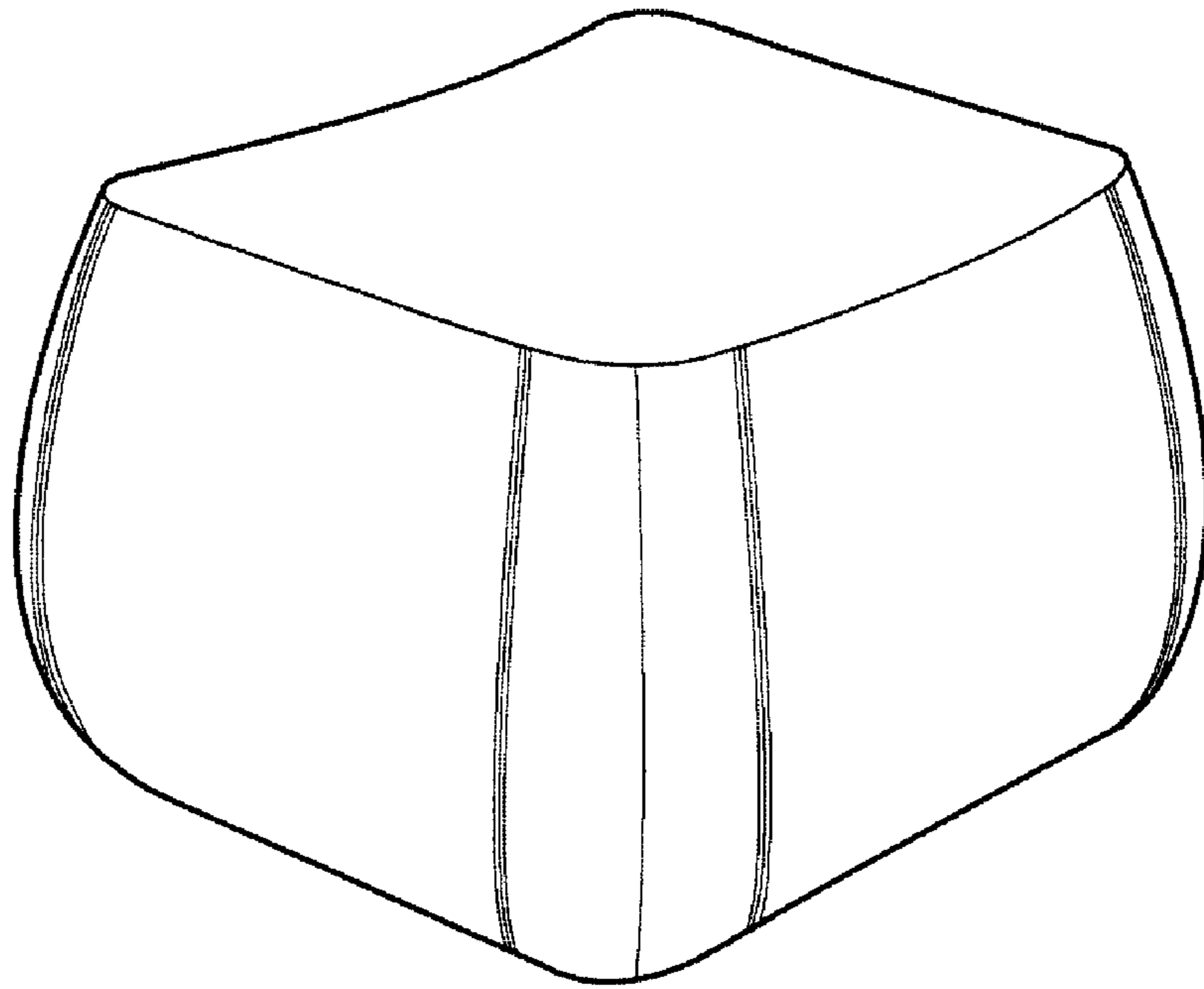


FIG. 5

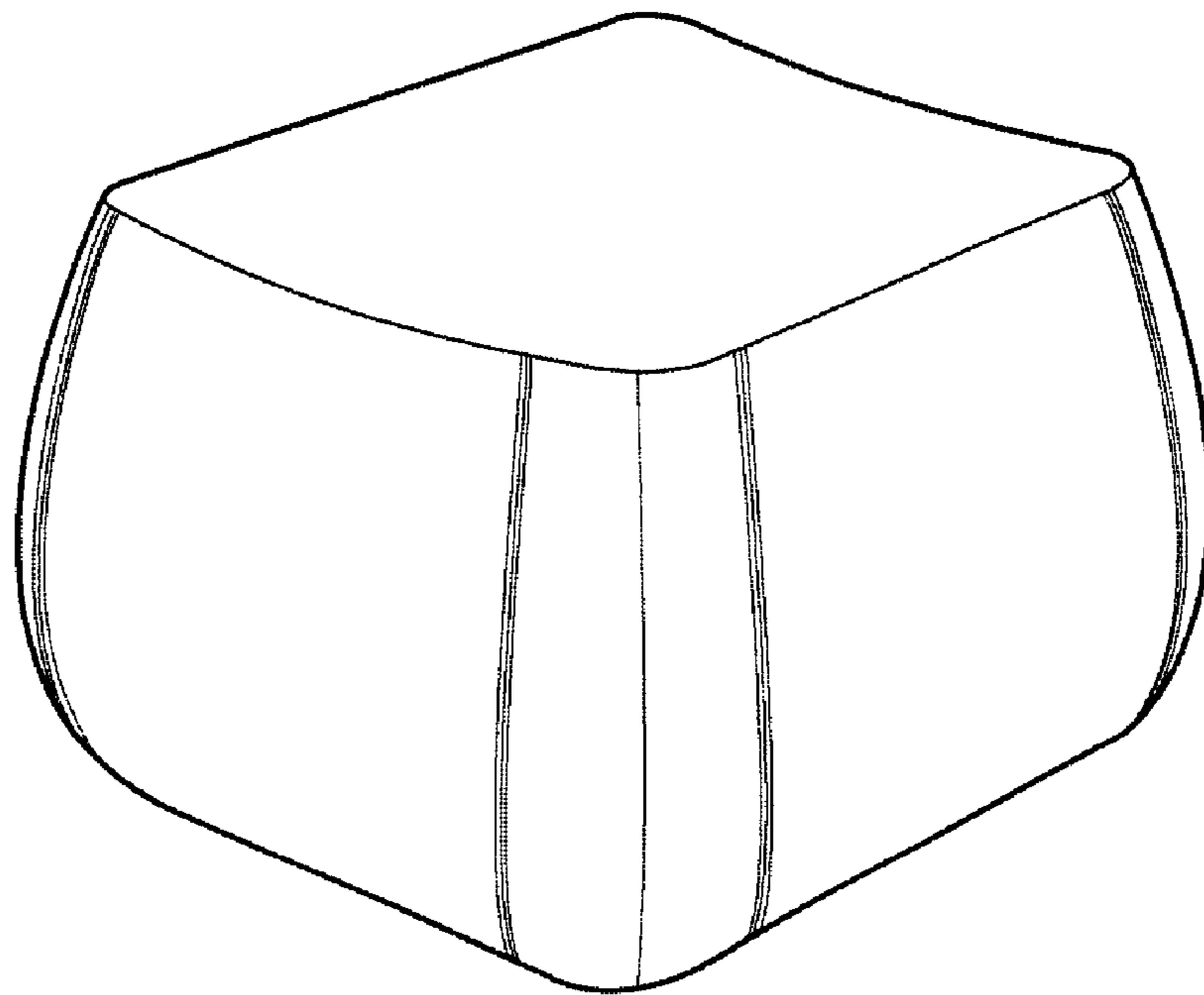


FIG. 6

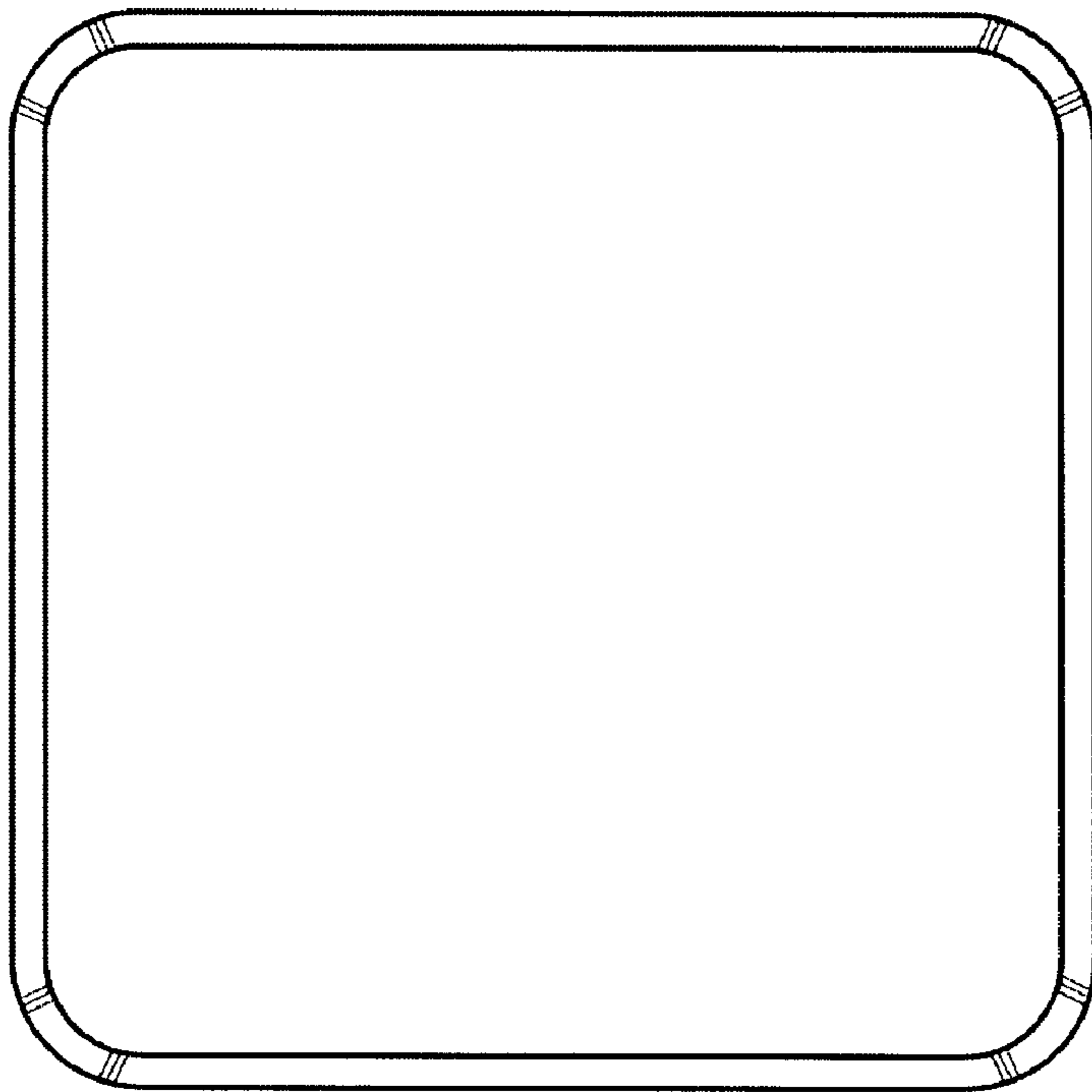


FIG. 7

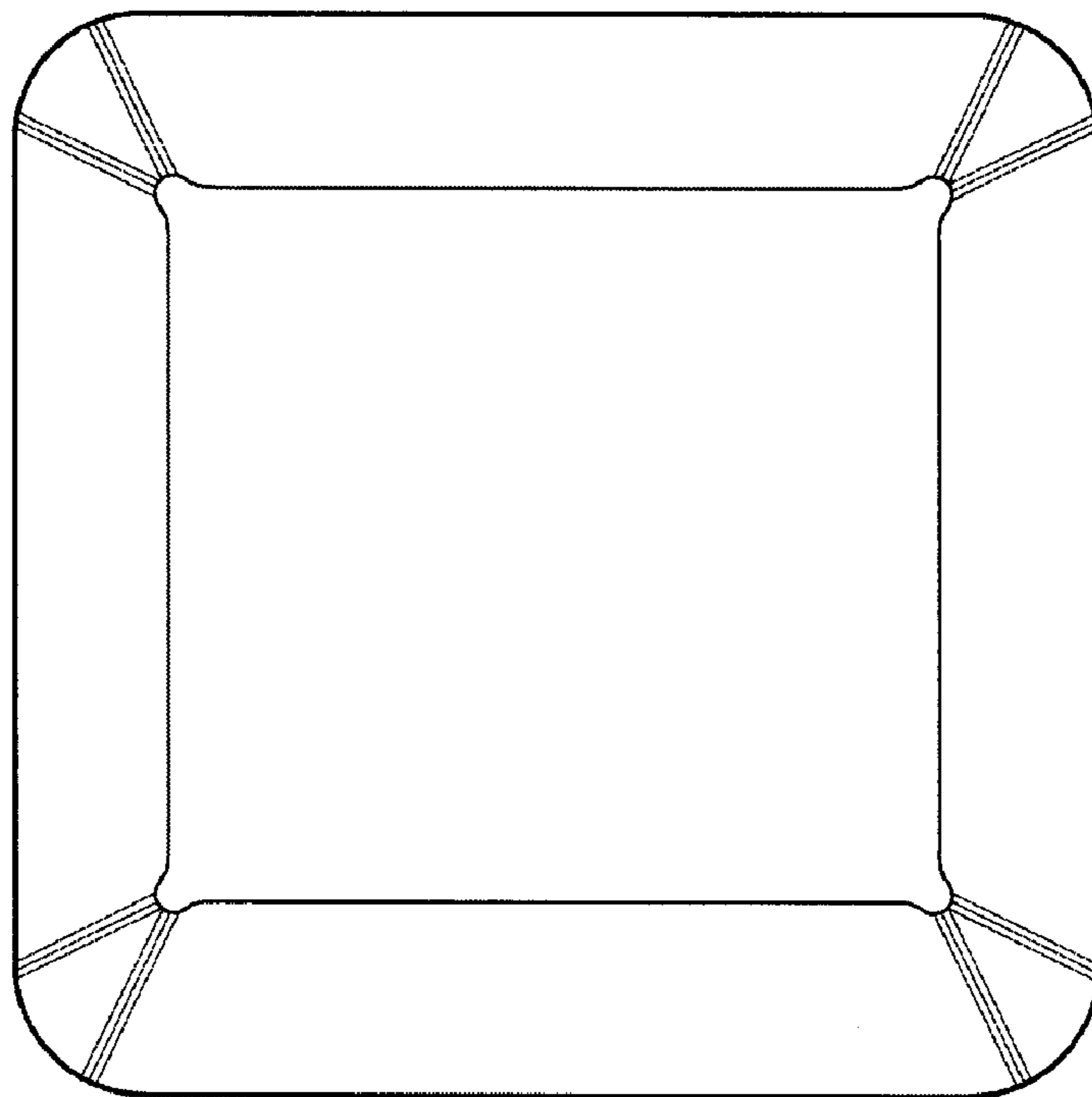


FIG. 8