



US00D532610S

(12) **United States Design Patent**
Chen

(10) **Patent No.:** **US D532,610 S**

(45) **Date of Patent:** **** Nov. 28, 2006**

(54) **DECORATIVE HAIR BRUSH**

(75) Inventor: **Banabas C. Chen**, Chino Hills, CA
(US)

(73) Assignee: **World Trend, Inc.**, Pomona, CA (US)

(**) Term: **14 Years**

(21) Appl. No.: **29/257,701**

(22) Filed: **Apr. 8, 2006**

(51) **LOC (8) Cl.** **04-02**

(52) **U.S. Cl.** **D4/138; D4/133**

(58) **Field of Classification Search** D4/132-134,
D4/136, 138; D28/10, 28, 63; 15/143.1, 159.1,
15/160, 186-188; 132/120, 121, 141, 142,
132/313; 601/134-137; 16/430

See application file for complete search history.

(56) **References Cited**

U.S. PATENT DOCUMENTS

- D52,111 S * 6/1918 Bechtold D4/134
- D95,883 S * 6/1935 Wewetzer D4/134
- D158,250 S * 4/1950 Cosby, Jr. D4/127
- D168,916 S * 2/1953 Snyder D4/136
- D365,687 S * 1/1996 Gertsma et al. D4/133

D370,349 S * 6/1996 Yu D4/136

* cited by examiner

Primary Examiner—M. H. Tung

Assistant Examiner—Lavone D. Tabor

(74) *Attorney, Agent, or Firm*—Edward O. Ansell

(57) **CLAIM**

The ornamental design for a decorative hair brush, as shown and described.

DESCRIPTION

FIG. 1 is a Perspective view of a decorative hair brush showing my new design;

FIG. 2 is a front elevation view thereof;

FIG. 3 is a rear elevation view thereof;

FIG. 4 is a left side view thereof;

FIG. 5 is a right side view thereof;

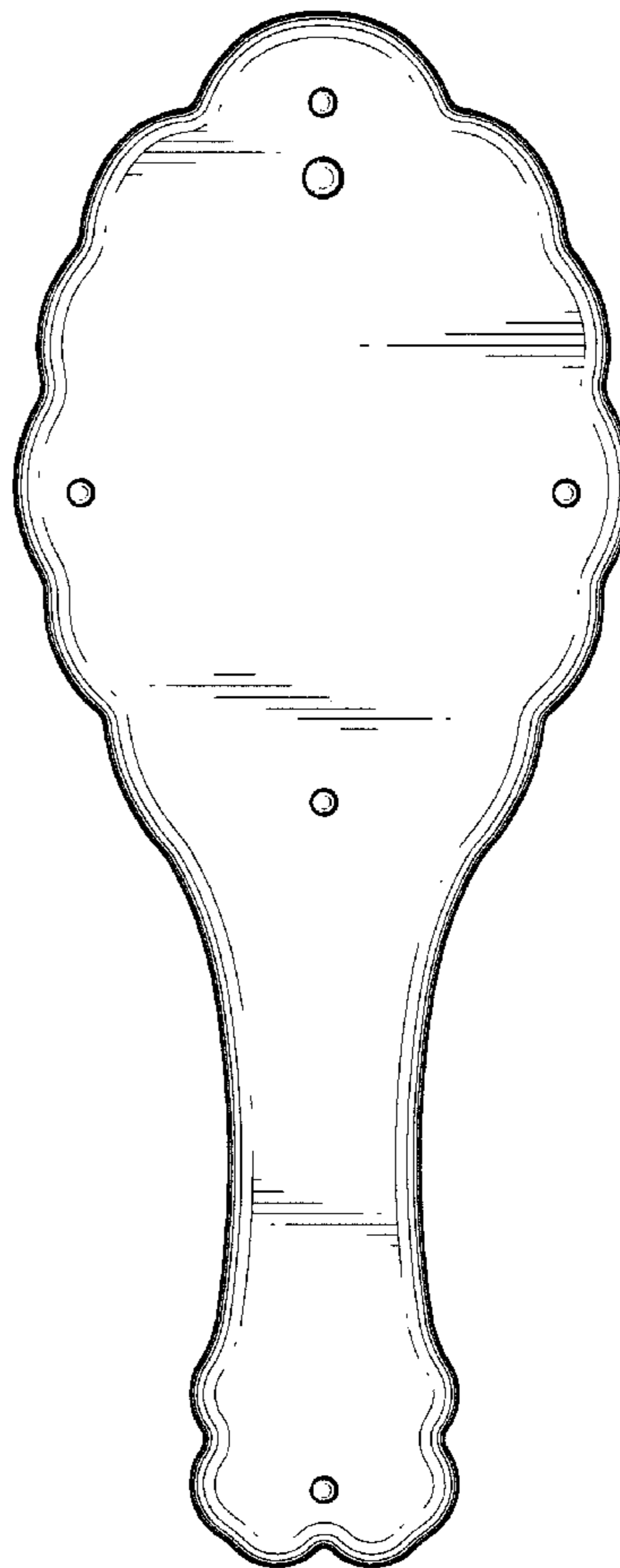
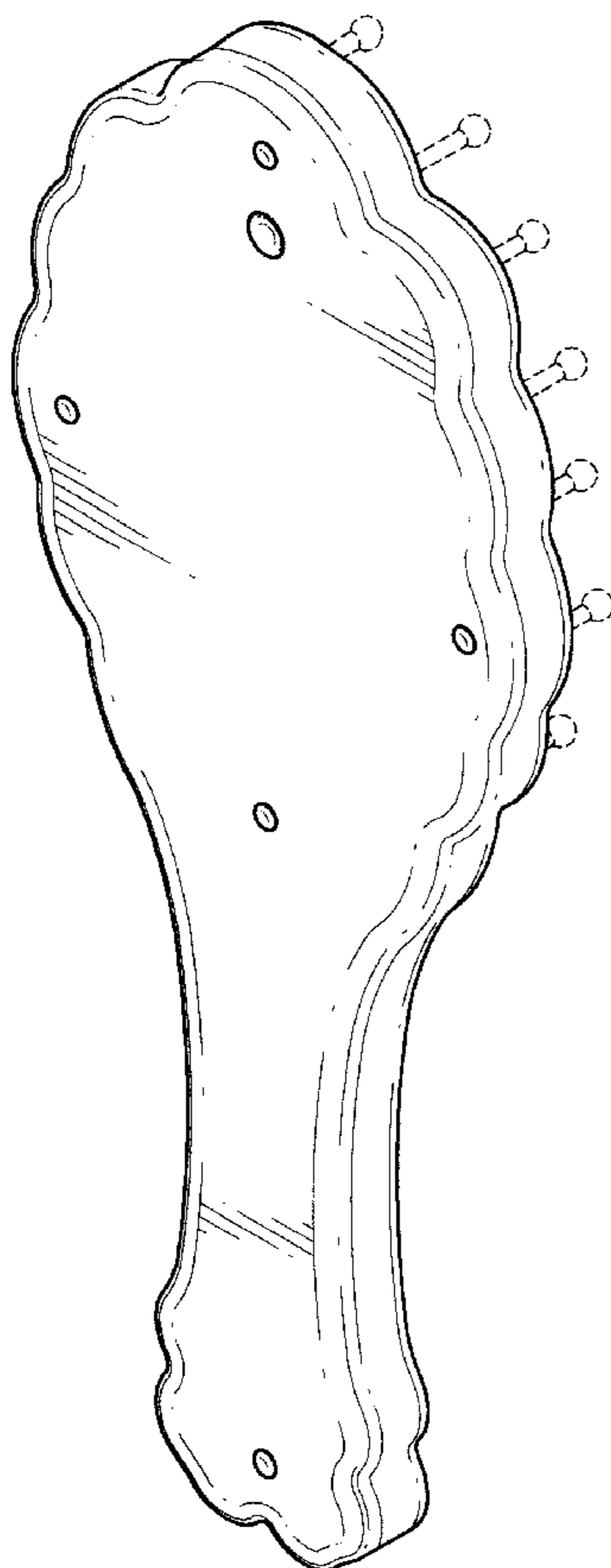
FIG. 6 is a top plan view thereof; and,

FIG. 7 is a bottom plan view thereof.

Features of the design are the fluted perimeter of the decorative hair brush and the jeweled inserts shown on the front surface thereof.

The broken line disclosure of the article shown is for illustrative purposes only and forms no part of the claimed design.

1 Claim, 5 Drawing Sheets



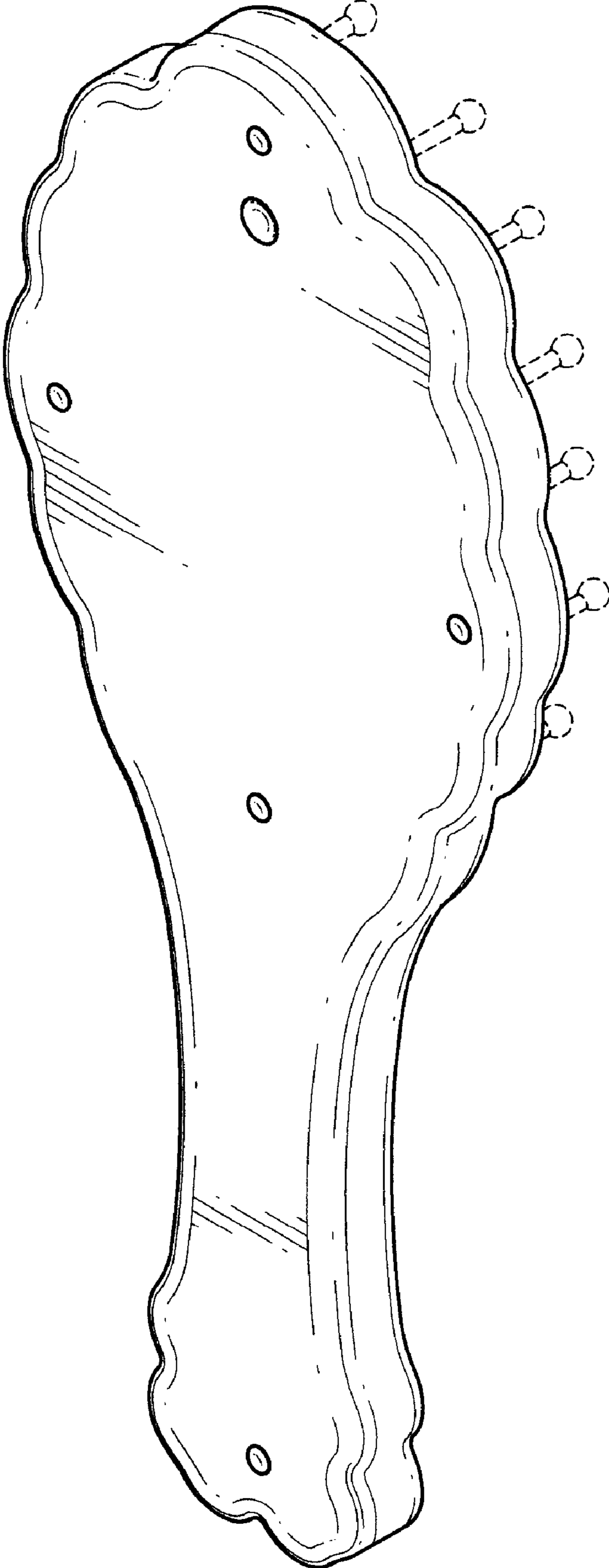


FIG. 1

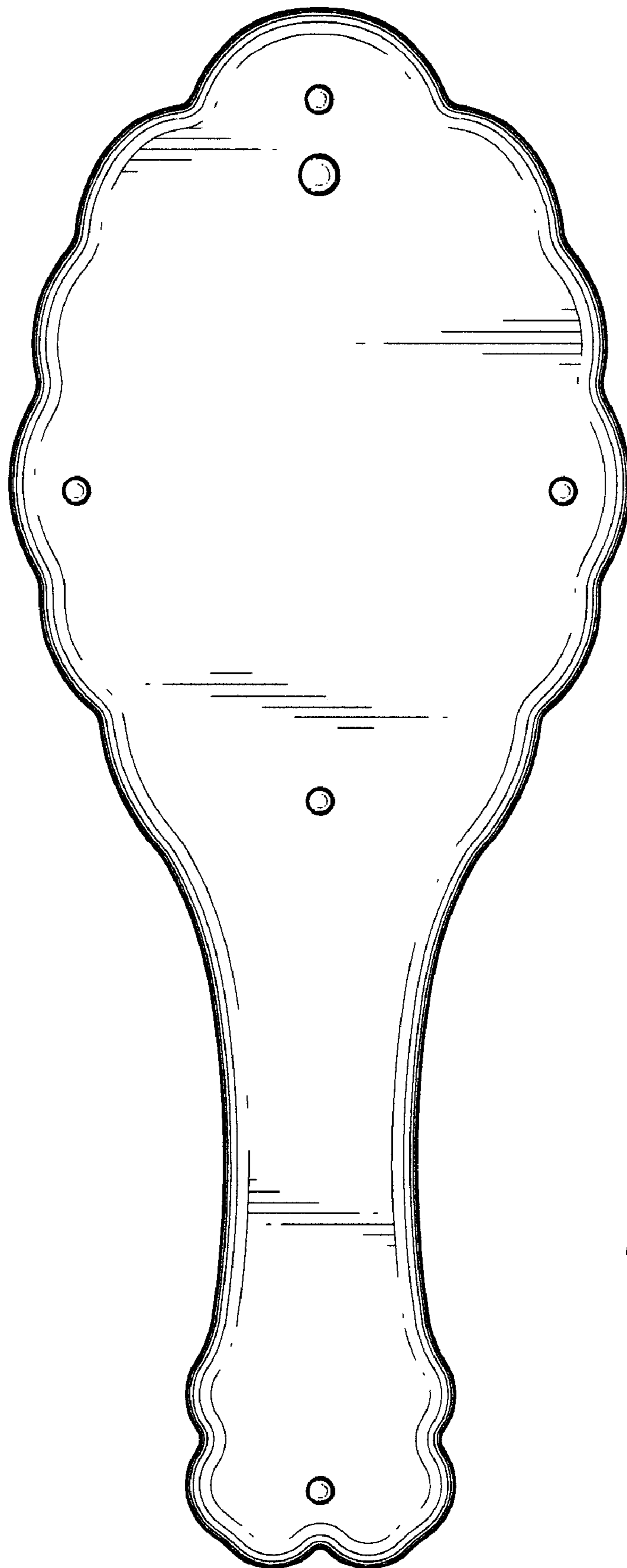


FIG. 2

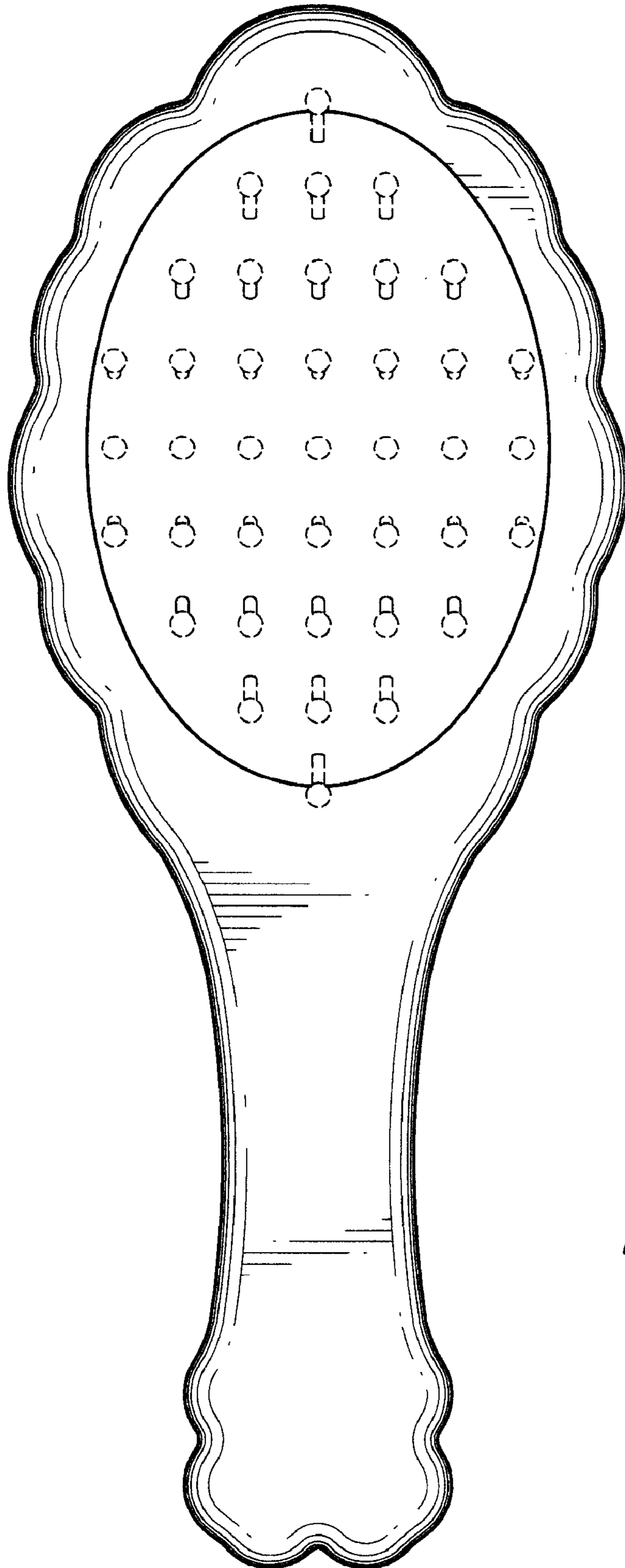


FIG. 3

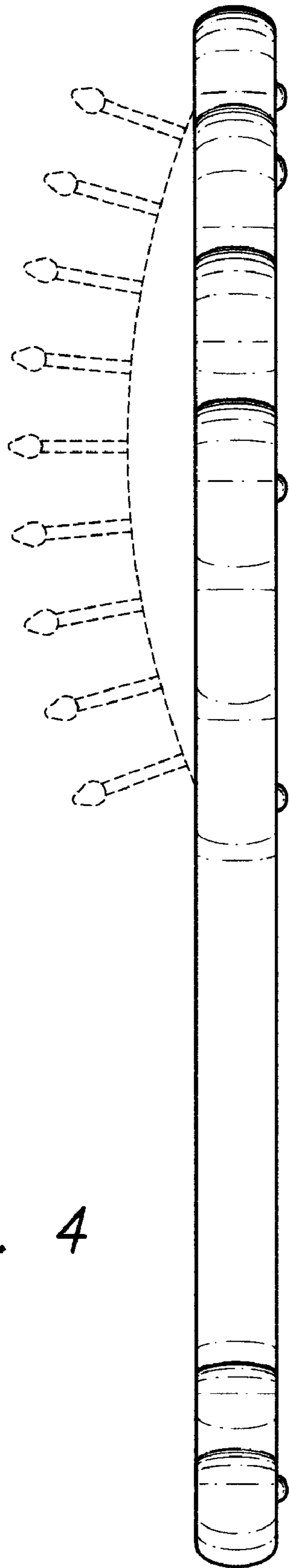


FIG. 4

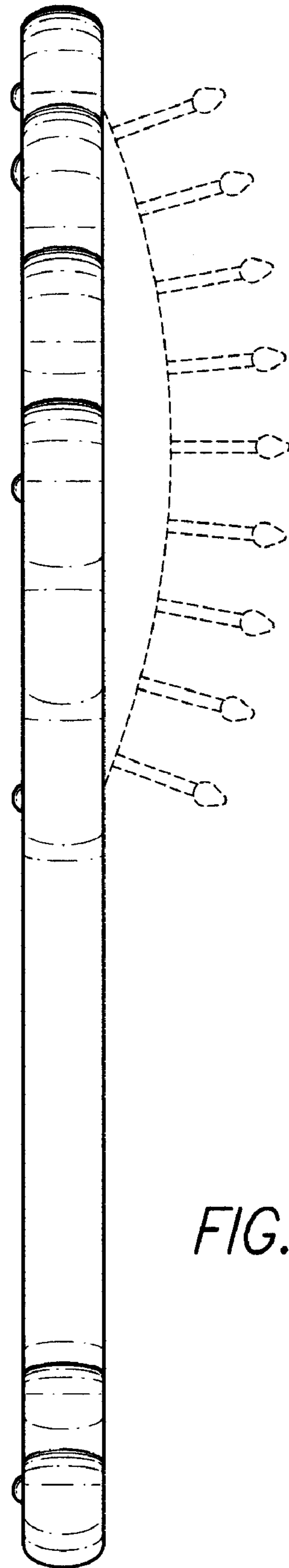


FIG. 5

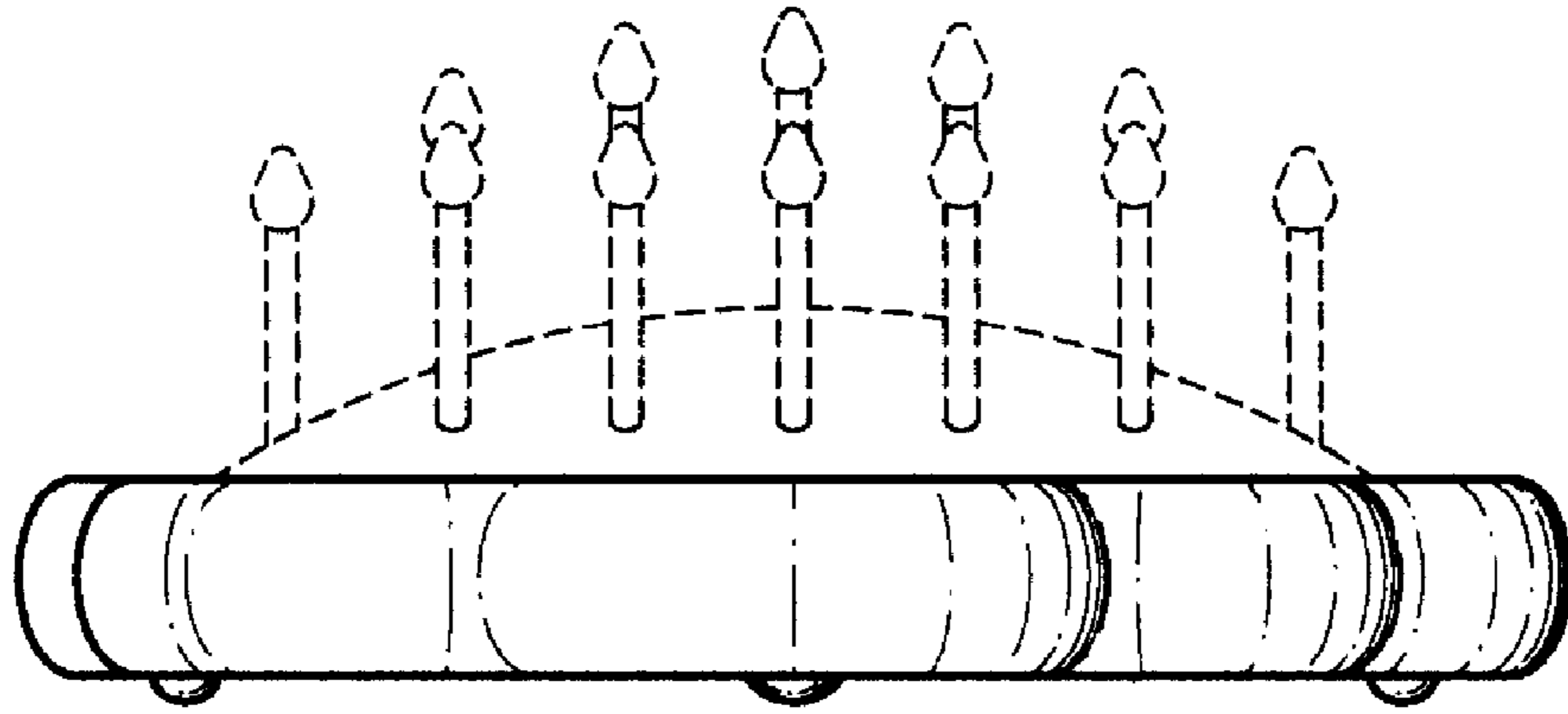


FIG. 6

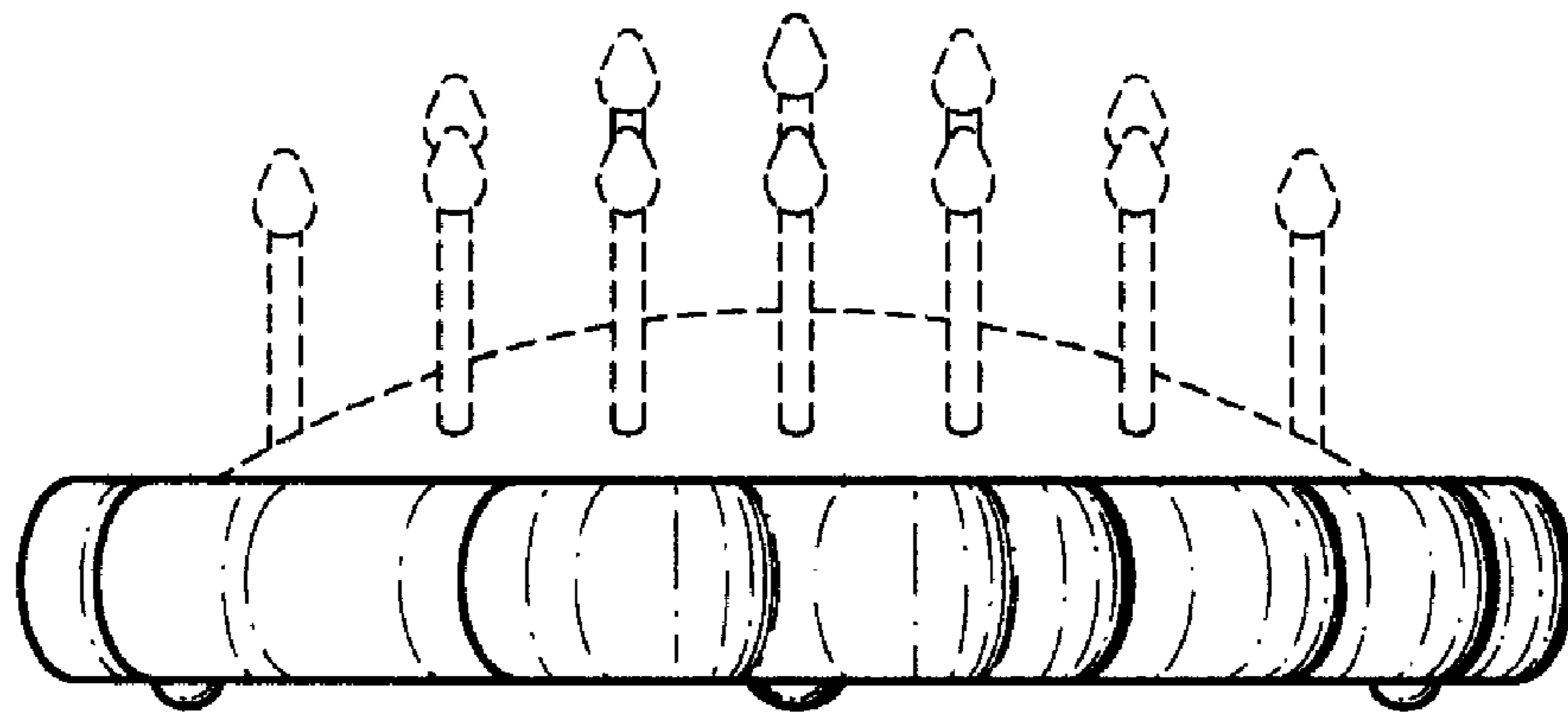


FIG. 7