

US00D532605S

(12) **United States Design Patent**
Klein

(10) **Patent No.:** **US D532,605 S**

(45) **Date of Patent:** **** Nov. 28, 2006**

(54) **CONTAINER FOR COLLATED FASTENERS**

(75) Inventor: **Lewis A. Klein**, Chicago, IL (US)

(73) Assignee: **Illinois Tool Works Inc.**, Glenview, IL (US)

(**) Term: **14 Years**

(21) Appl. No.: **29/237,403**

(22) Filed: **Aug. 31, 2005**

(51) **LOC (8) Cl.** **03-01**

(52) **U.S. Cl.** **D3/294**

(58) **Field of Classification Search** D3/273,
D3/254, 276, 294, 295, 905, 272, 302; D9/420,
D9/423, 424; 206/349, 372, 373, 504, 505,
206/509; 220/834, 835, 819

See application file for complete search history.

(56) **References Cited**

U.S. PATENT DOCUMENTS

- D257,528 S * 11/1980 Cherry D9/431
- D271,343 S * 11/1983 Miller D3/294
- 4,765,480 A * 8/1988 Malmanger 206/506
- D387,904 S * 12/1997 McEntee D3/273
- 6,041,931 A * 3/2000 Jacques 206/505

- D448,166 S * 9/2001 Zimmerman D3/273
- D480,560 S * 10/2003 Tanji D3/294
- D493,282 S * 7/2004 Dubois et al. D3/273
- D501,722 S * 2/2005 Zimmerman D3/294

* cited by examiner

Primary Examiner—Philip S. Hyder

(74) *Attorney, Agent, or Firm*—Lisa M. Soltis; Mark W. Croll; Beem Patent Law Firm

(57) **CLAIM**

The ornamental design for a container for collated fasteners, as shown and described.

DESCRIPTION

FIG. 1 is a perspective view of a container for collated fasteners showing our new design.

FIG. 2 is a perspective view of the container of FIG. 1 showing an open position thereof.

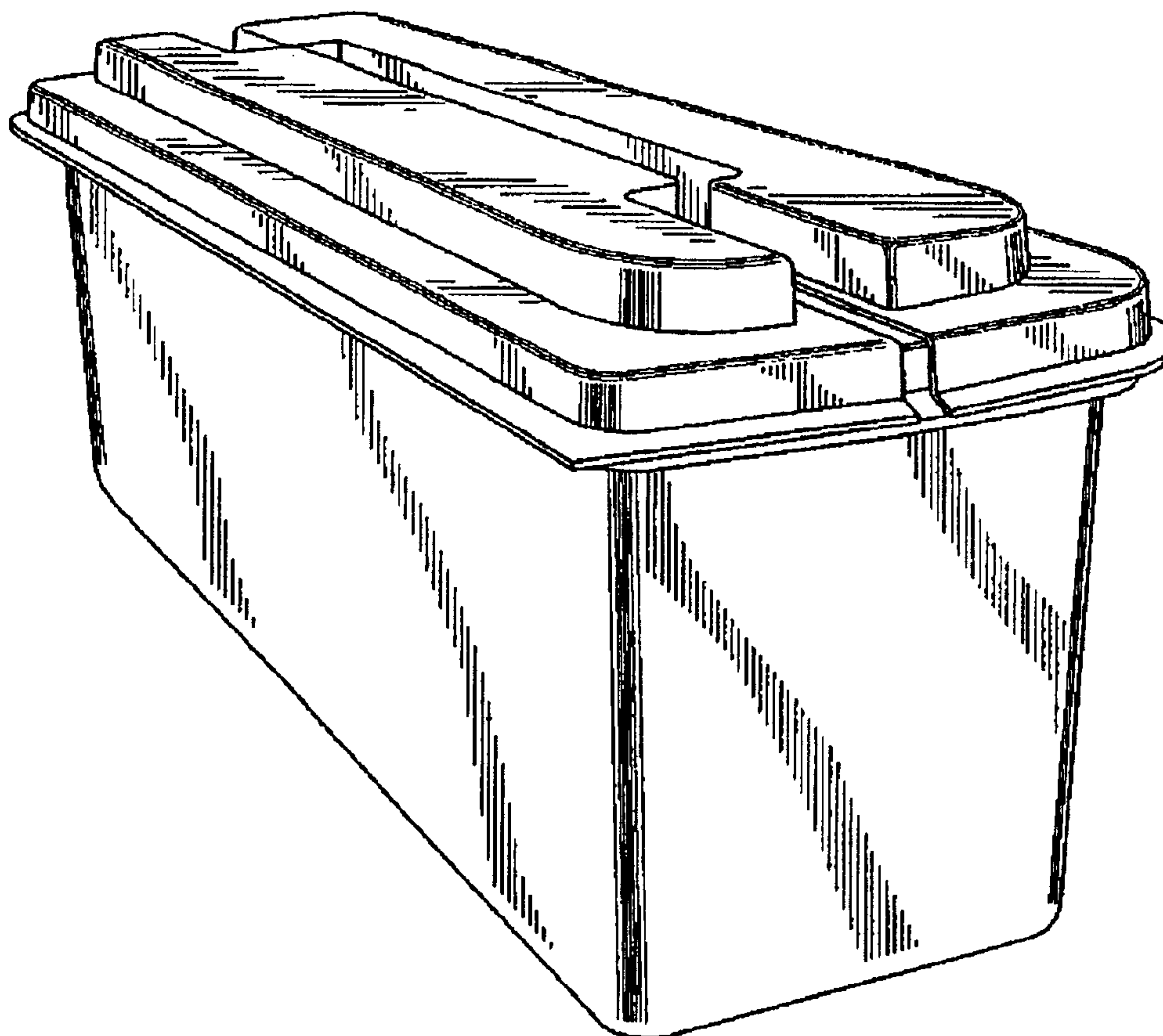
FIG. 3 is a top view of the container of FIG. 1.

FIG. 4 is a side view of the container of FIG. 1, the other side being substantially identical.

FIG. 5 is an end view of the container, the other end being substantially identical; and,

FIG. 6 is a bottom view of the container of FIG. 1.

1 Claim, 2 Drawing Sheets



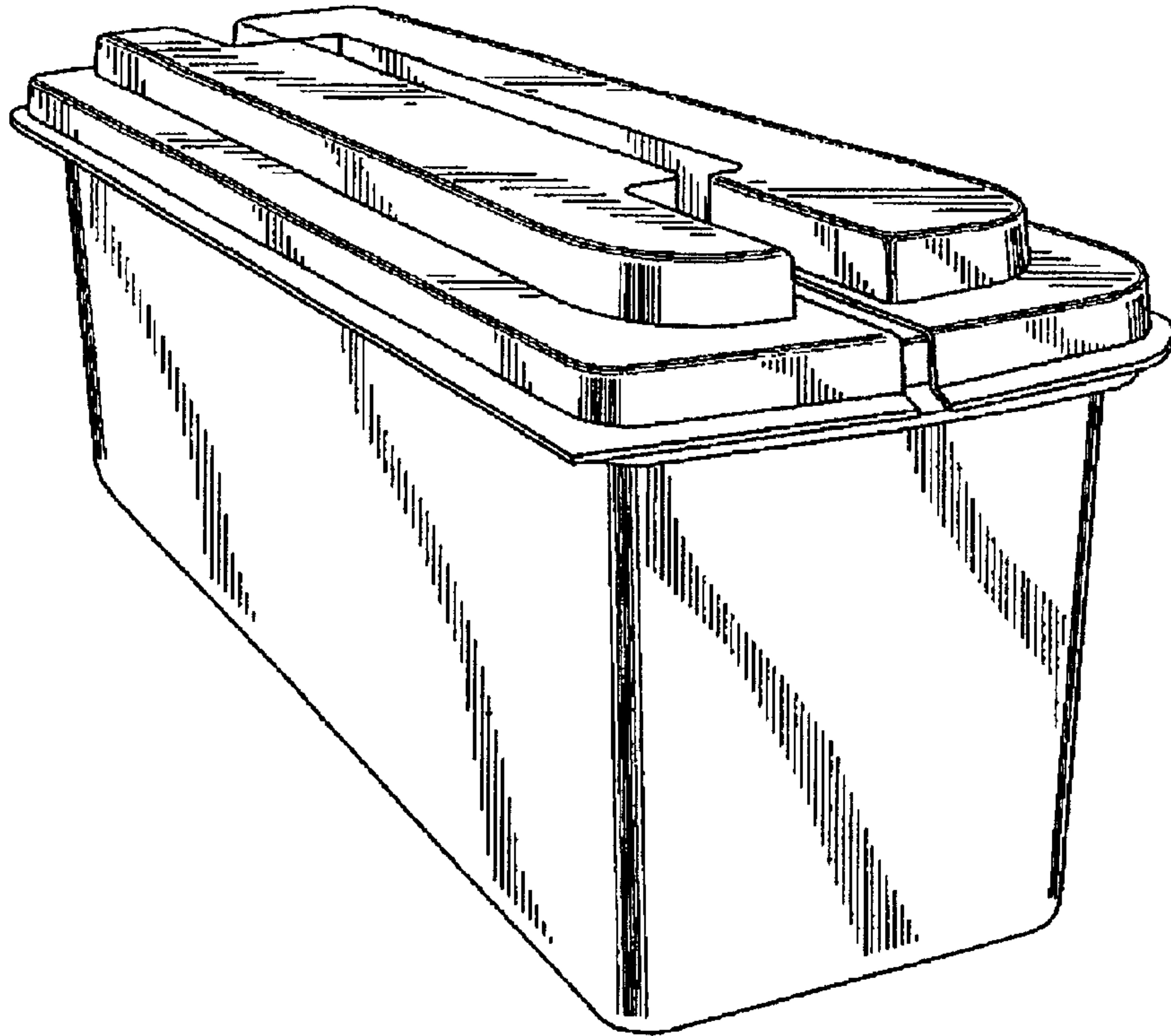


Fig.1

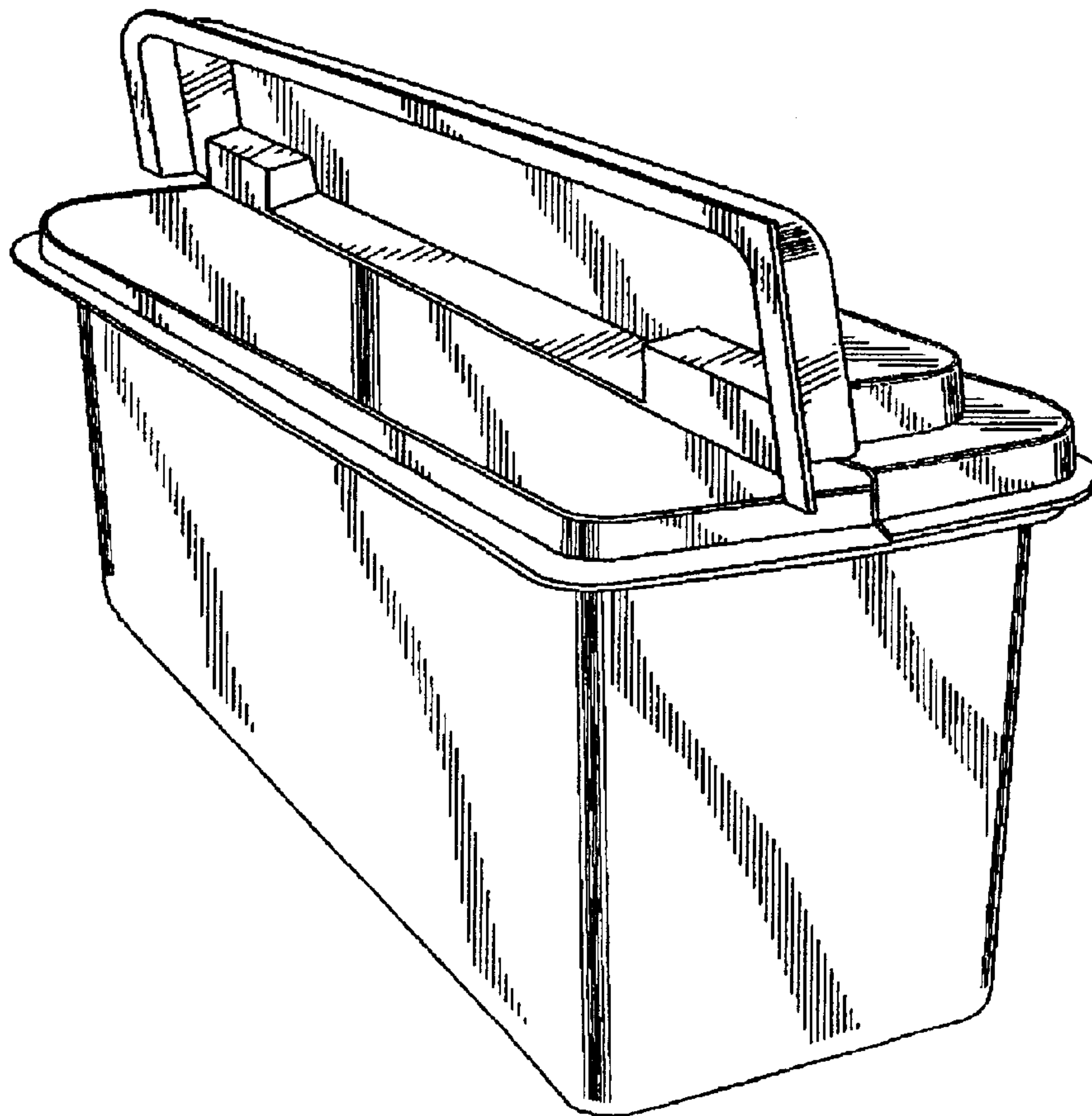


Fig.2

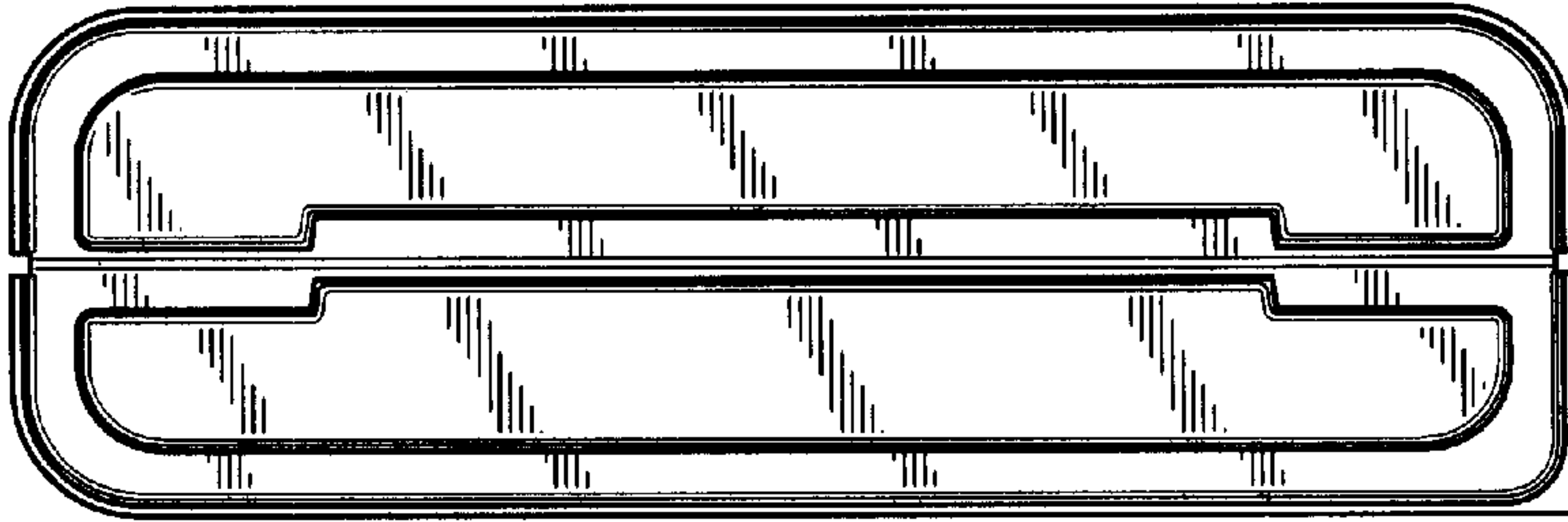


Fig.3

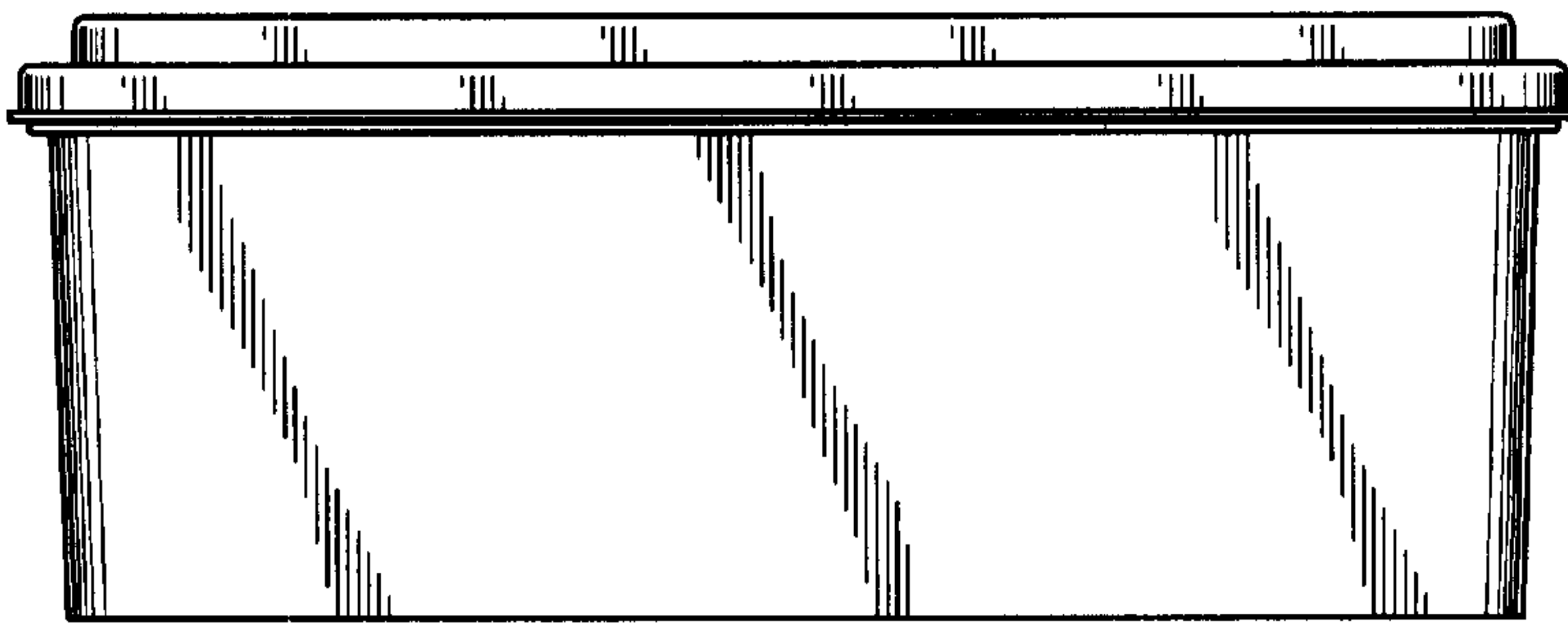


Fig.4

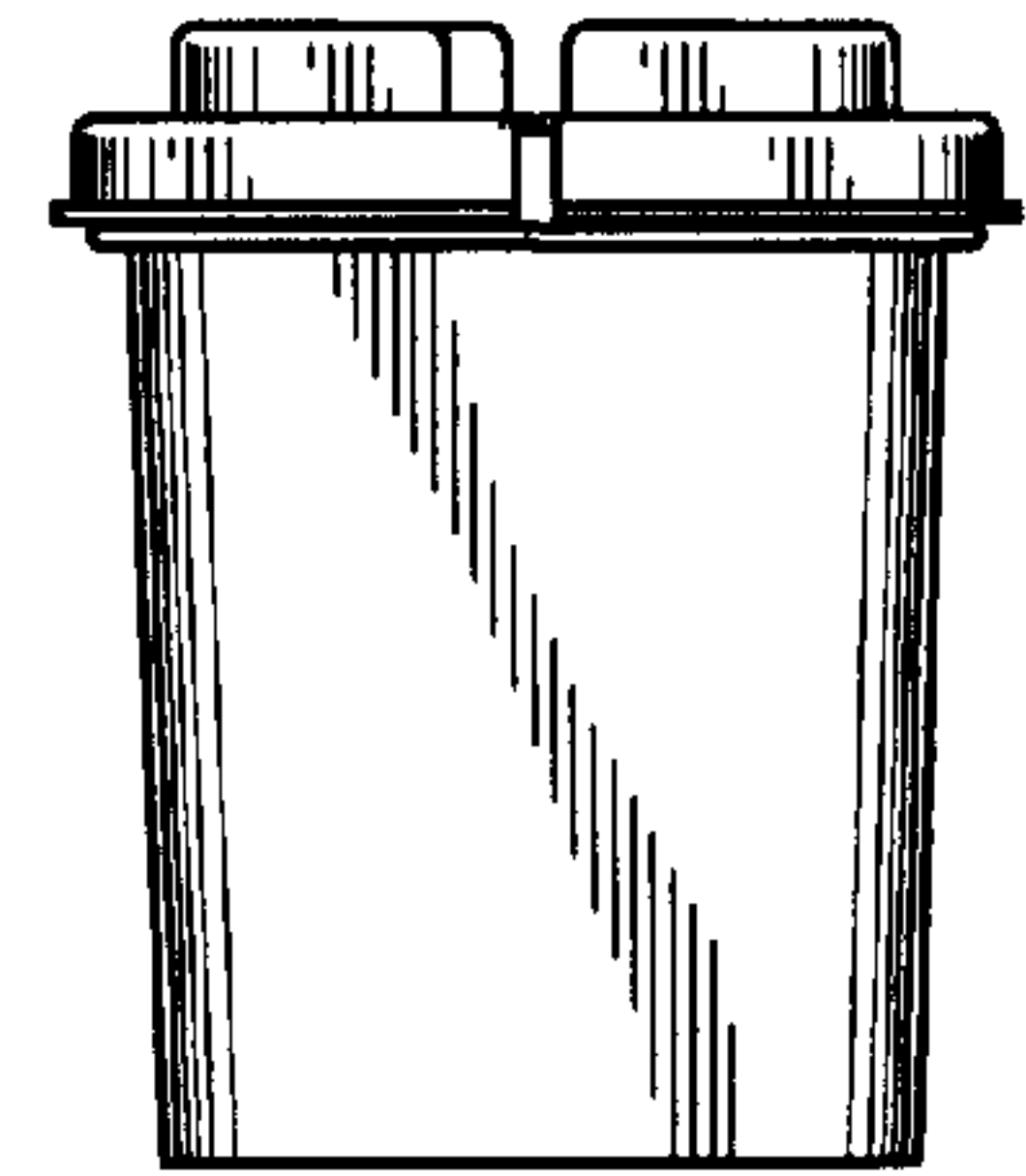


Fig.5

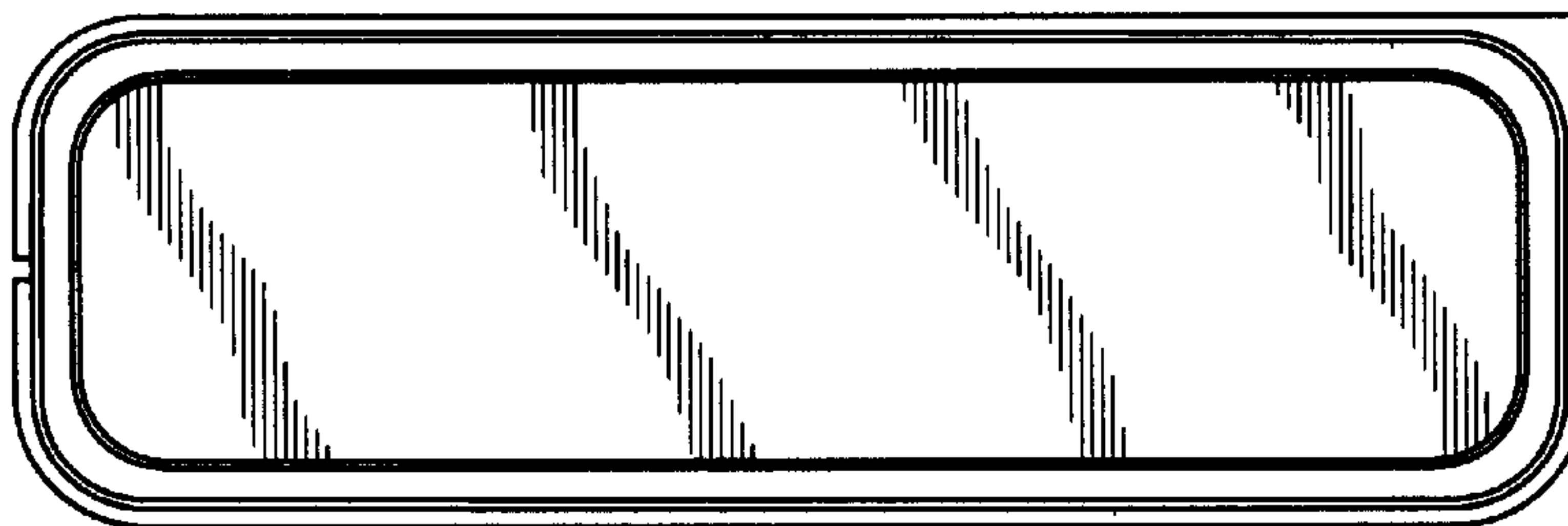


Fig.6