



US00D532603S

(12) **United States Design Patent**
Chen

(10) **Patent No.:** **US D532,603 S**

(45) **Date of Patent:** **** Nov. 28, 2006**

(54) **TOOL BOX**

Primary Examiner—Catherine R. Oliver

(76) **Inventor:** **Chang-Ying Chen**, 235 Chung-Ho Box
8-24, Taipei (TW)

(57) **CLAIM**

The ornamental design for a tool box, as shown and described.

(**) **Term:** **14 Years**

(21) **Appl. No.:** **29/240,412**

DESCRIPTION

(22) **Filed:** **Oct. 13, 2005**

(51) **LOC (8) Cl.** **03-01**

(52) **U.S. Cl.** **D3/228**

(58) **Field of Classification Search** D3/228,
D3/215, 224–226; 206/372–375; 224/901,
224/904, 250, 253, 667

See application file for complete search history.

FIG. 1 is a perspective view of a tool box showing my new design;

FIG. 2 is a front elevational view thereof;

FIG. 3 is a rear elevational view thereof;

FIG. 4 is a left side view thereof;

FIG. 5 is a right side view thereof;

FIG. 6 is a top plan view thereof; and

FIG. 7 is a bottom plan view thereof.

FIG. 8 is a front perspective view of the tool box shown in use, with the broken lines being for illustrative purposes only and forming no part of the claimed design; and,

FIG. 9 is a rear elevational view, with the handle pulled out.

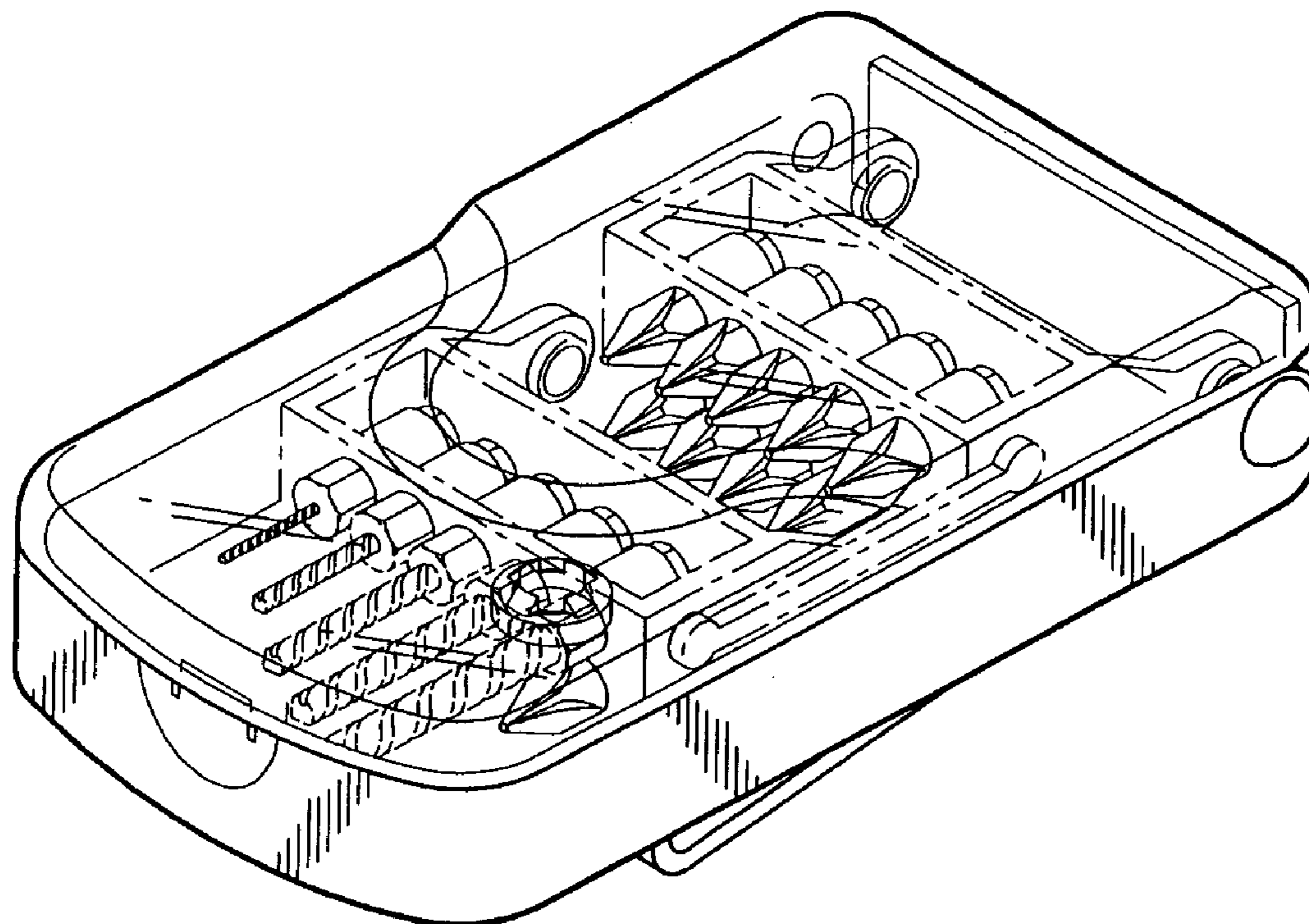
(56) **References Cited**

U.S. PATENT DOCUMENTS

D494,755 S *	8/2004	Hansen	D3/228
D512,562 S *	12/2005	Tsuda	D3/228
2005/0045508 A1 *	3/2005	Lu	206/372
2006/0037880 A1 *	2/2006	Wang	206/372

* cited by examiner

1 Claim, 7 Drawing Sheets



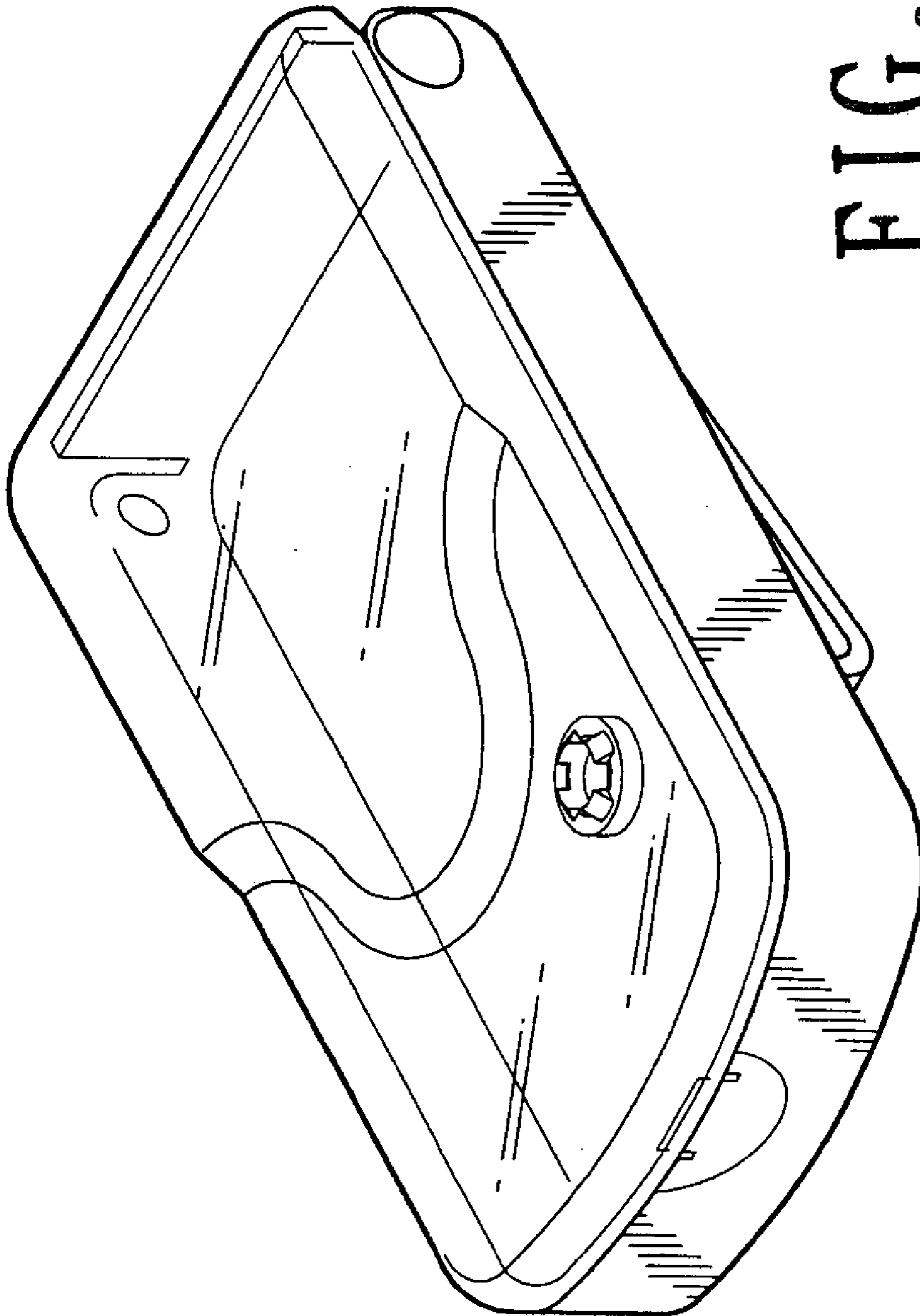


FIG. 1

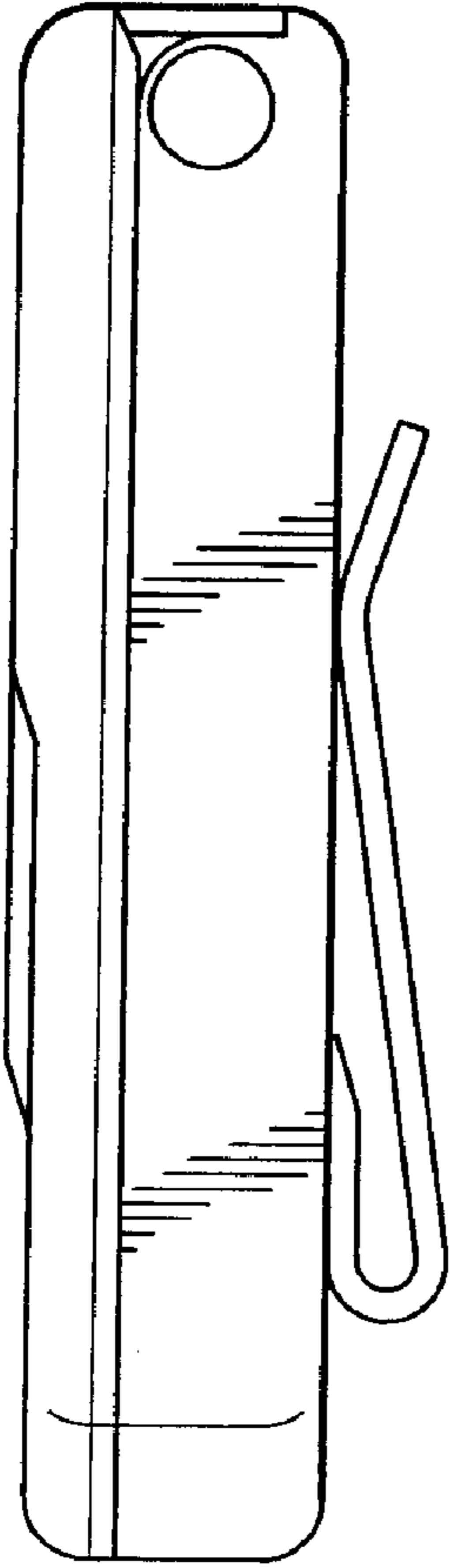


FIG. 2

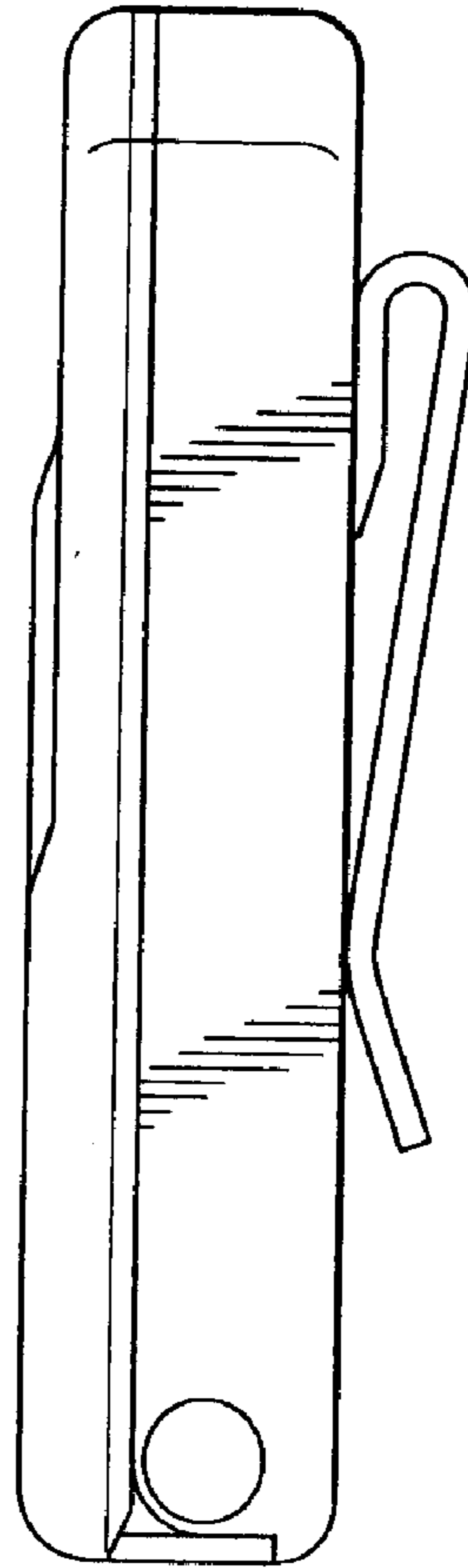


FIG. 3

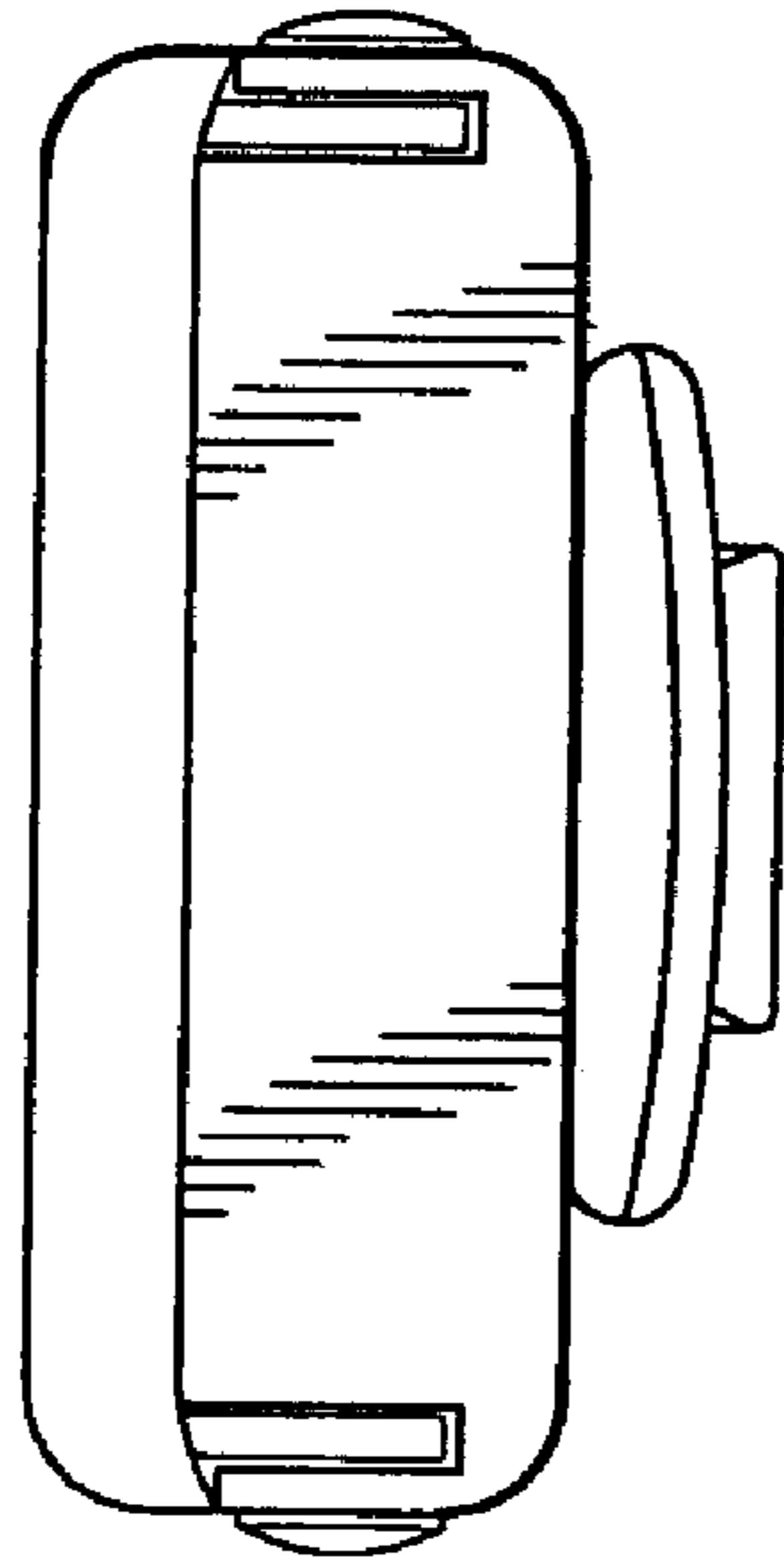


FIG. 5

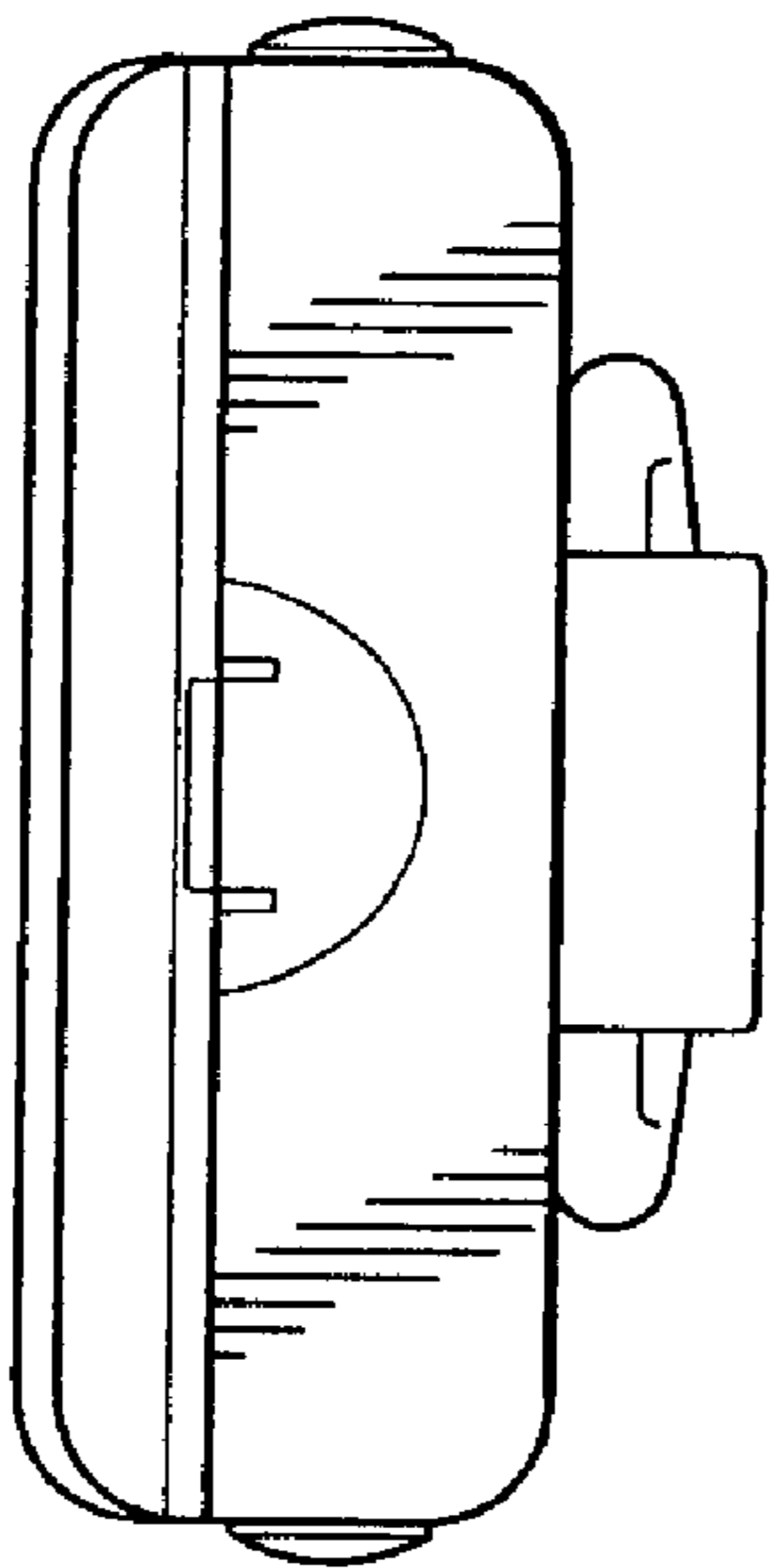


FIG. 4

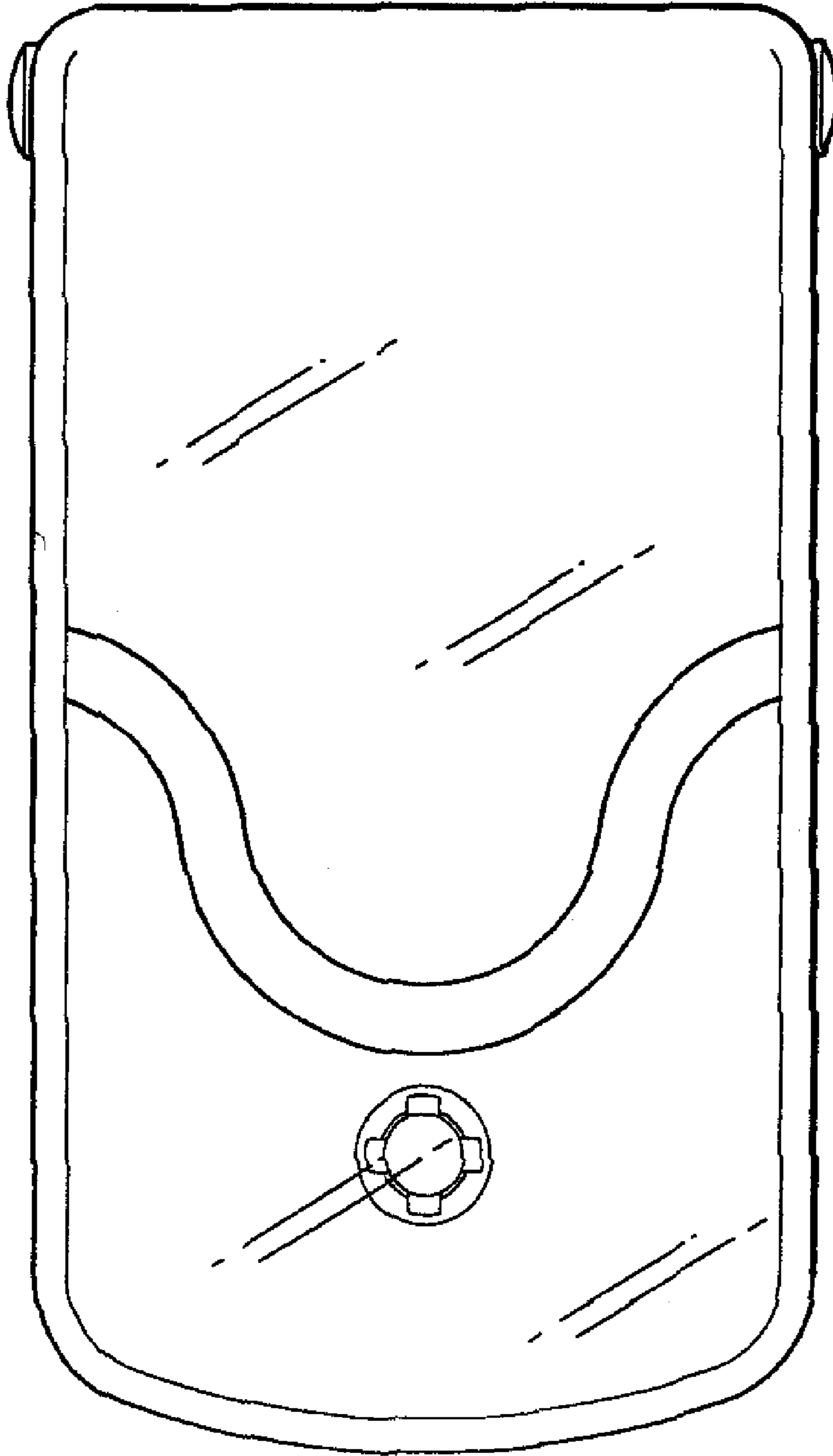


FIG. 6

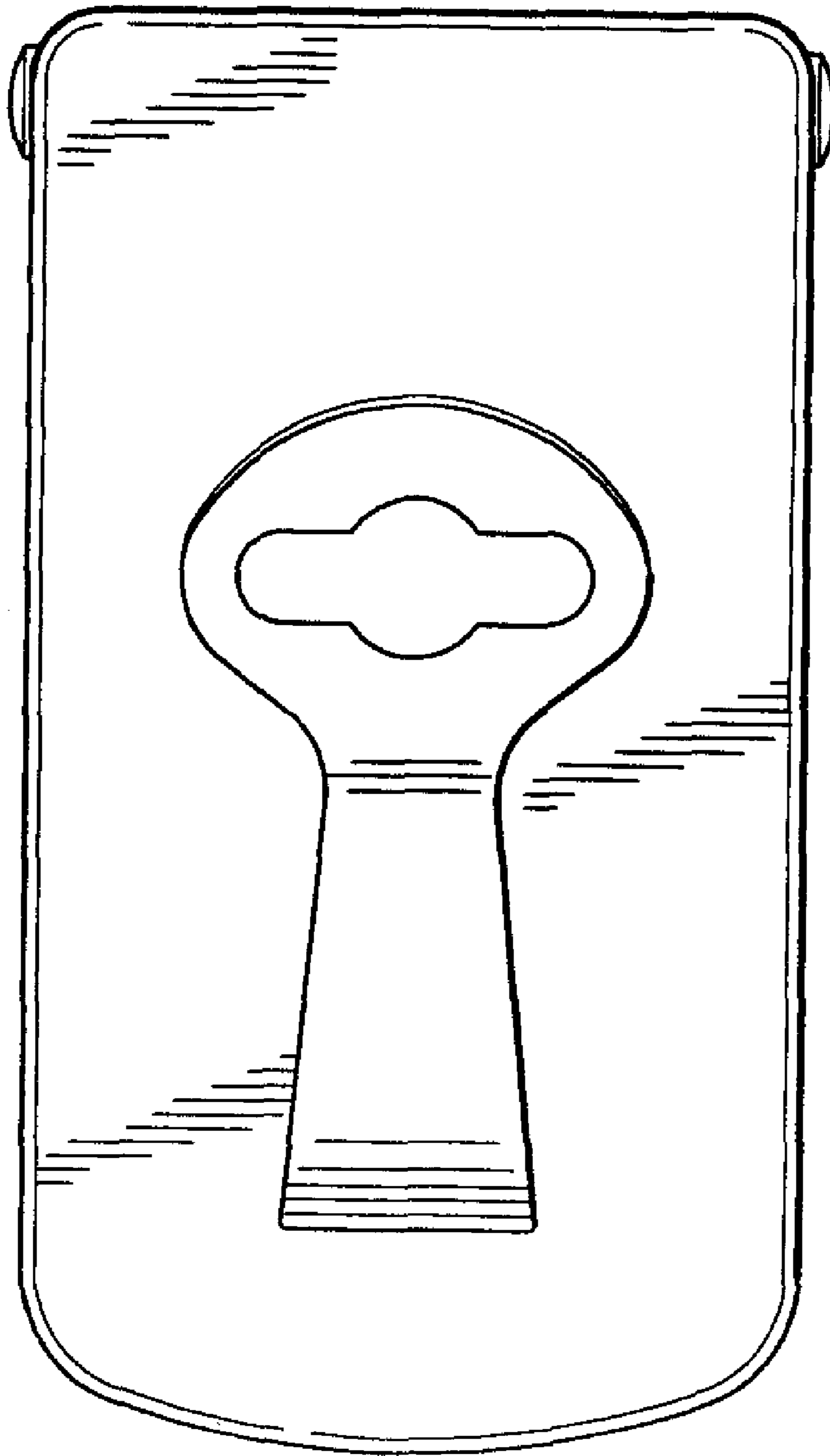


FIG. 7

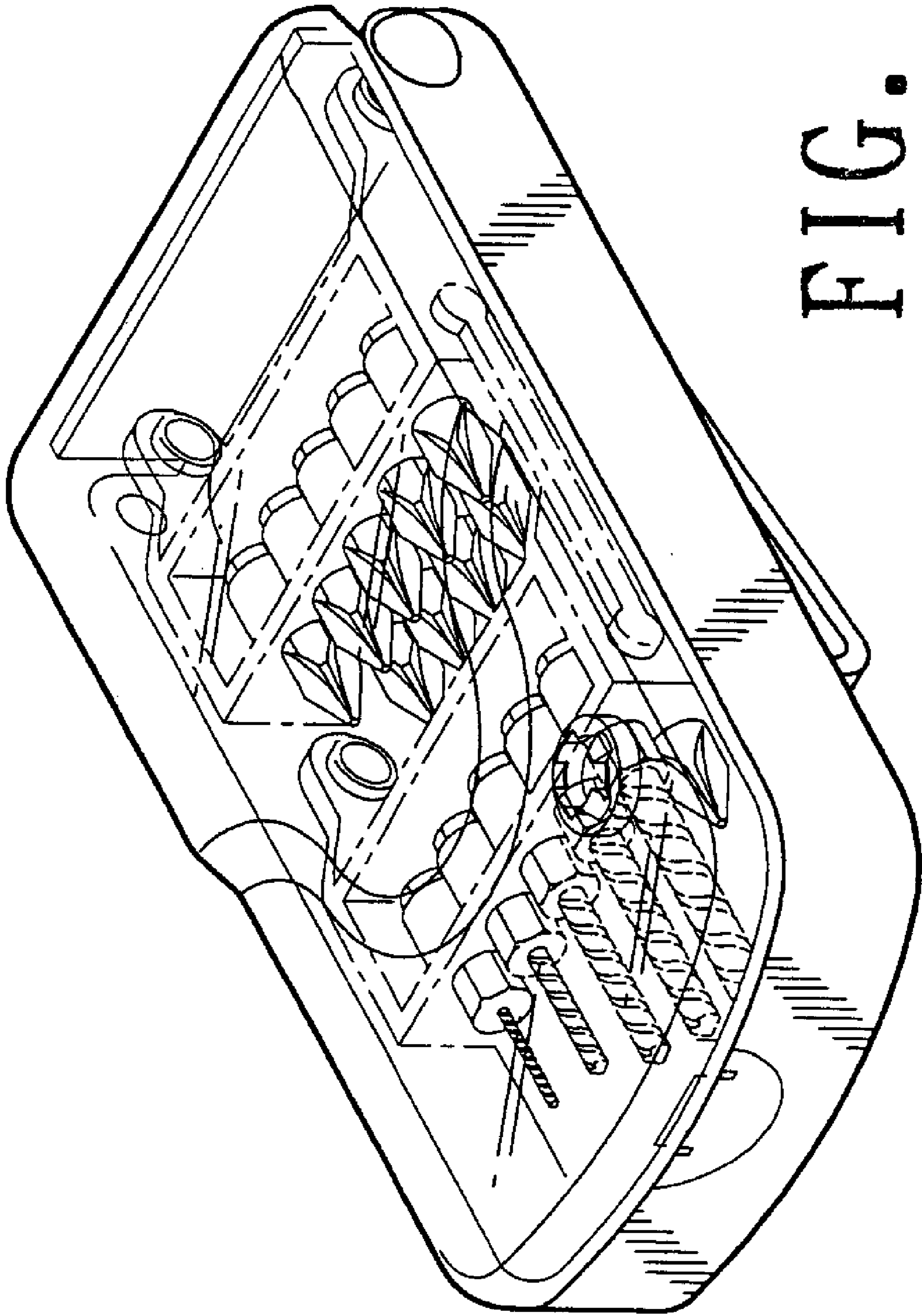


FIG. 8

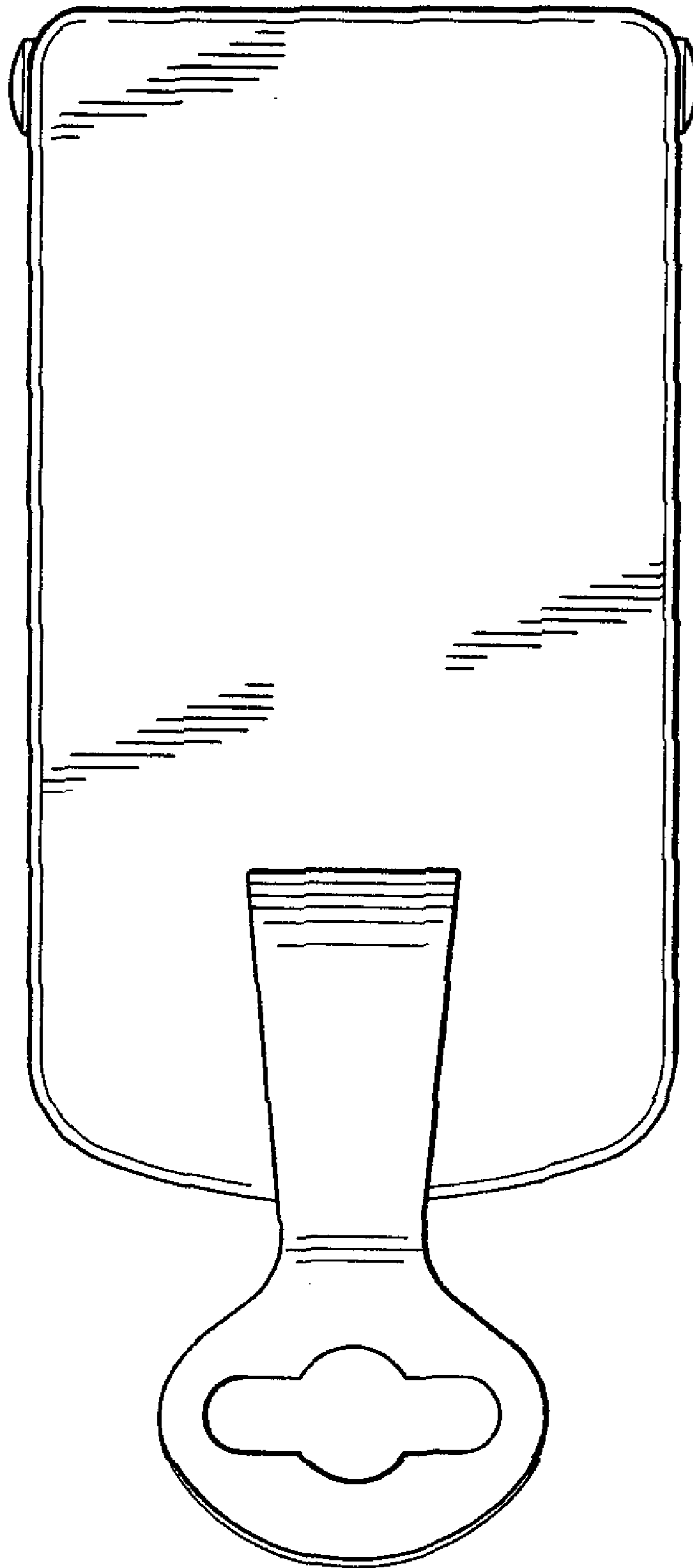


FIG. 9