



US00D532583S

(12) **United States Design Patent** (10) **Patent No.:** **US D532,583 S**
Townsend et al. (45) **Date of Patent:** **** Nov. 28, 2006**

(54) **PET FOOD BONE**

(75) Inventors: **Stewart M. Townsend**, Yorba Linda, CA (US); **Tiffany Bierer**, Fullerton, CA (US); **Kristin Boyle**, Oak Island, NC (US); **Jerry Franks**, Placentia, CA (US); **Andrew Hinkle**, deceased, late of Vernon, CA (US); by **Stephen Hinkle**, legal representative, Vernon, CA (US); **Steve McCauley**, Yorba Linda, CA (US); **Alexandre Mendes**, Redondo Beach, CA (US); **Emine Unlu**, Pasadena, CA (US)

(73) Assignee: **Mars, Incorporated**, McLean, VA (US)

(**) Term: **14 Years**

(21) Appl. No.: **29/252,512**

(22) Filed: **Jan. 23, 2006**

Related U.S. Application Data

(63) Continuation of application No. 29/230,562, filed on May 23, 2005, and a continuation of application No. 29/214,983, filed on Oct. 12, 2004.

(51) **LOC (8) Cl.** **01-01**

(52) **U.S. Cl.** **D1/122**

(58) **Field of Classification Search** D1/122, D1/124, 126, 129-30, 199; 426/92, 140, 426/282-3, 512, 514, 623, 635, 805; D25/119, D25/121; D30/160; D21/385-6; D28/8.1
See application file for complete search history.

(56) **References Cited**

U.S. PATENT DOCUMENTS

414,090 A * 10/1889 Taylor 72/468
2,003,578 A * 6/1935 Clement 426/499
3,384,496 A * 5/1968 Robinson et al. 426/639

D249,723 S * 9/1978 Cosman D21/386
D249,724 S * 9/1978 Cosman D21/386
D339,899 S * 10/1993 Kittleson D1/122
D353,642 S * 12/1994 Callaghan D21/386
D393,335 S * 4/1998 Bailey D1/199
5,899,210 A * 5/1999 Letherby et al. 132/76.4
D445,236 S * 7/2001 Kirchner et al. D1/101
D501,700 S 2/2005 Turner D1/199
D503,645 S * 4/2005 Wirth et al. D10/114
D507,135 S * 7/2005 Deichmann D6/510
D516,276 S * 3/2006 Unlu et al. D1/199

OTHER PUBLICATIONS

Dr. Foster Smith Catalogue, Dec. 2002, p. 53, Care-A-Lot: Pet Supply Warehouse, Mar. 18, 2002.*
R. C. Steele Pet Supplies, Jan. 2, 2001, p. 70, Home Pet Shop, Apr. 29, 2000, p. 75.*
Internet: <http://www.dahlstromrollform.com/pdfcat.htm>; Mar. 2003, PDF p. 23.*

* cited by examiner

Primary Examiner—Alan P. Douglas

Assistant Examiner—Karen E. Patterson

(74) *Attorney, Agent, or Firm*—Fitzpatrick, Cella, Harper & Scinto

(57) **CLAIM**

The design for a pet food bone, substantially as shown and described.

DESCRIPTION

FIG. 1 is a perspective view from above and one side of the pet food bone.

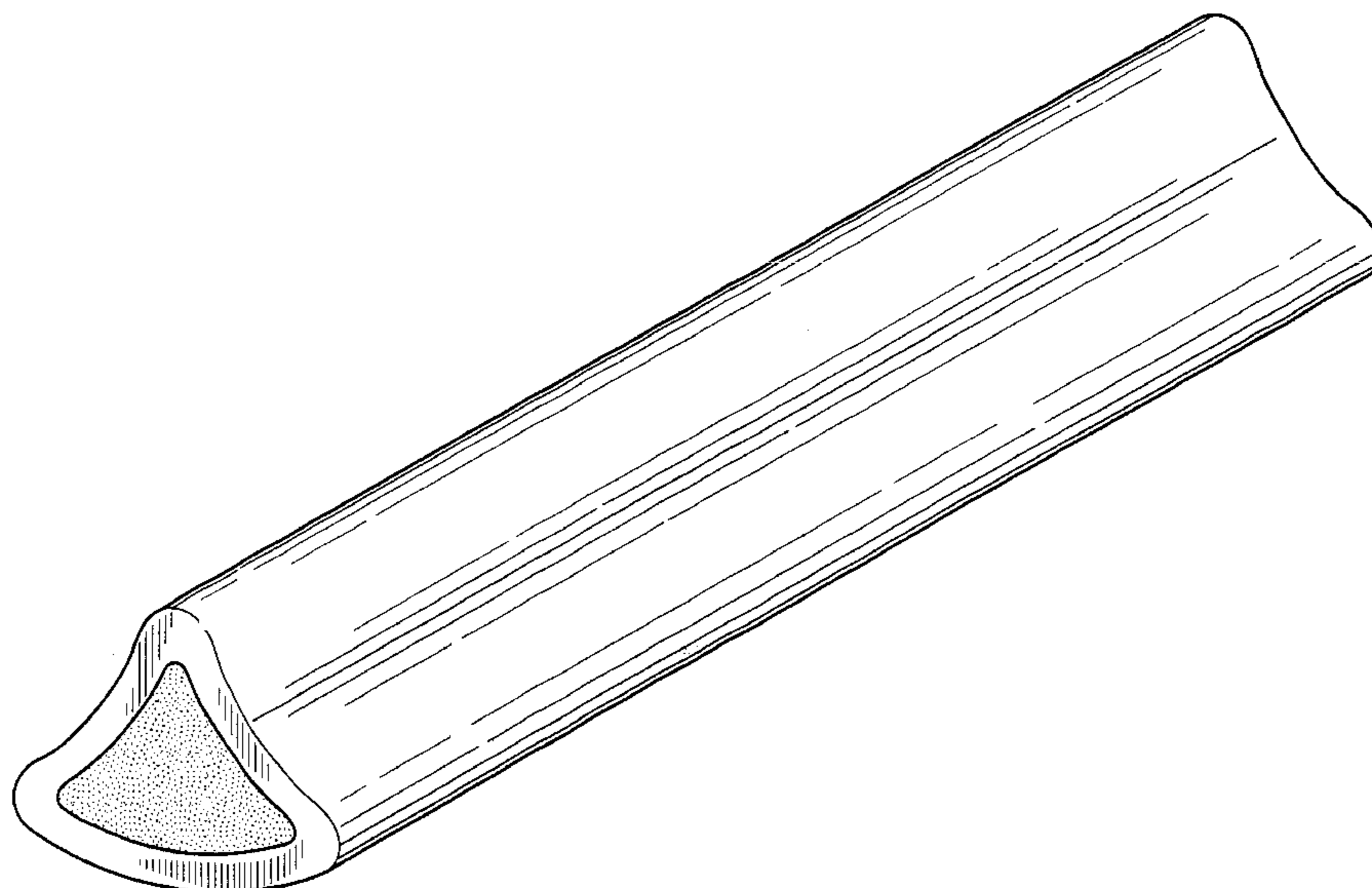
FIG. 2 is a front side view of the pet food bone and is the same as the rear side view of the pet food bone.

FIG. 3 is a right side view of the pet food bone and is the same as the left side view of the pet food bone.

FIG. 4 is a bottom view of the pet food bone; and,

FIG. 5 is a top view of the pet food bone.

1 Claim, 2 Drawing Sheets



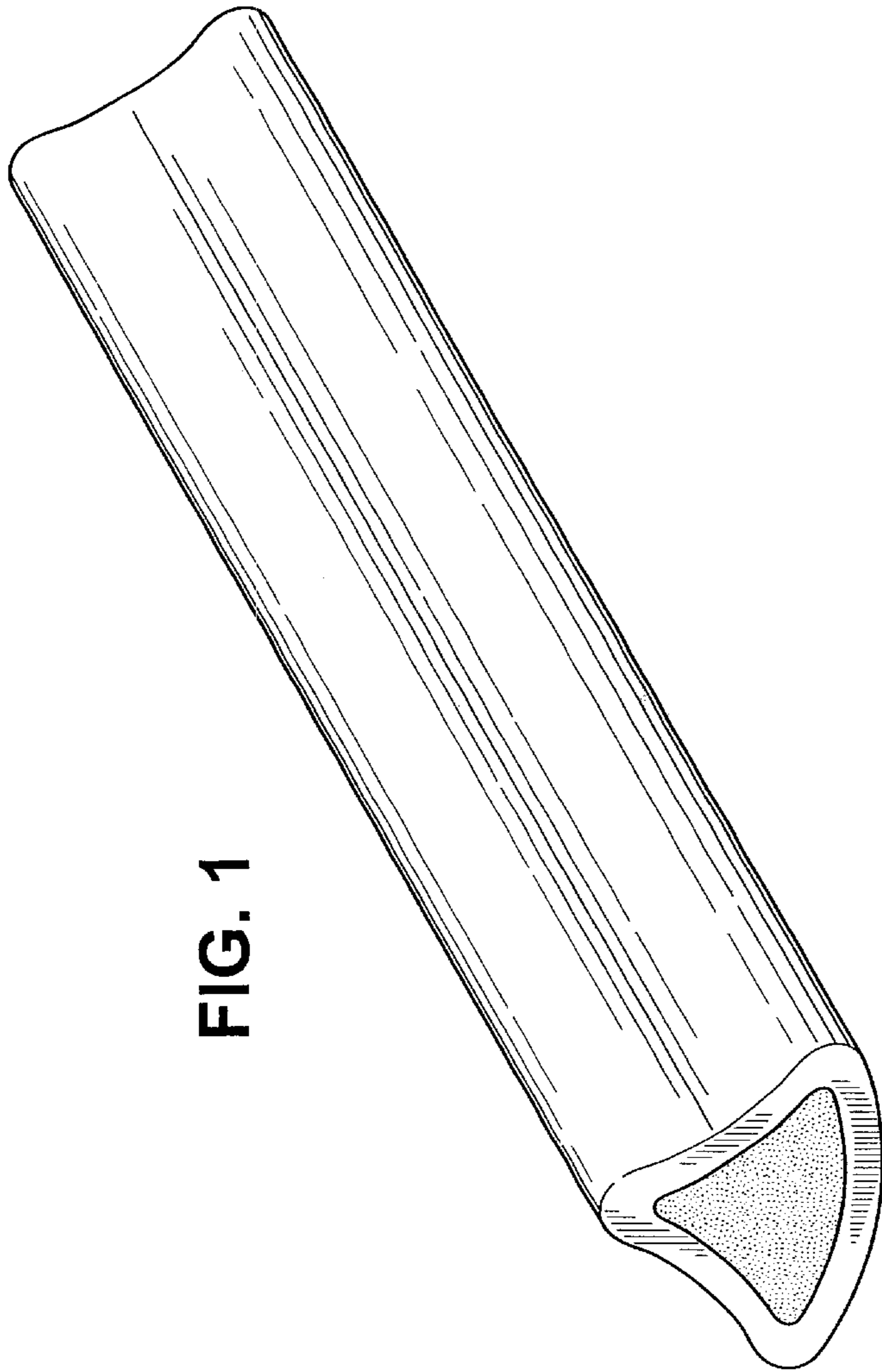


FIG. 1

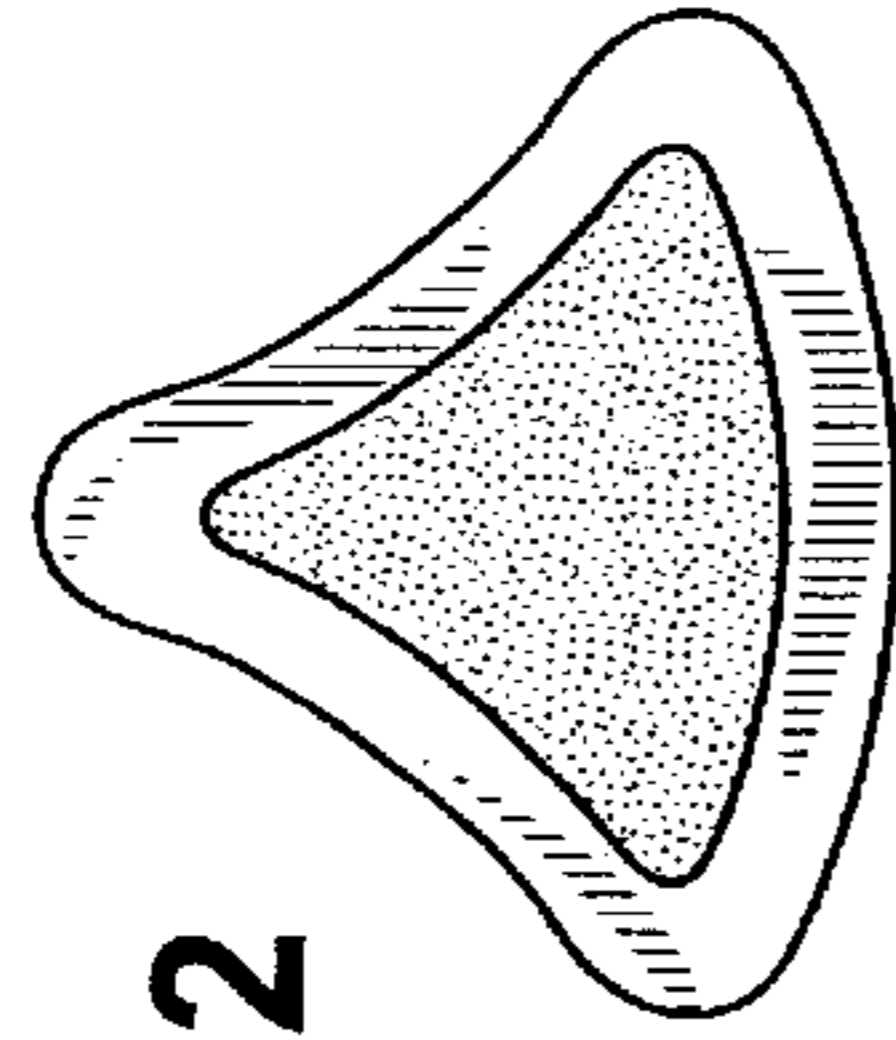


FIG. 2

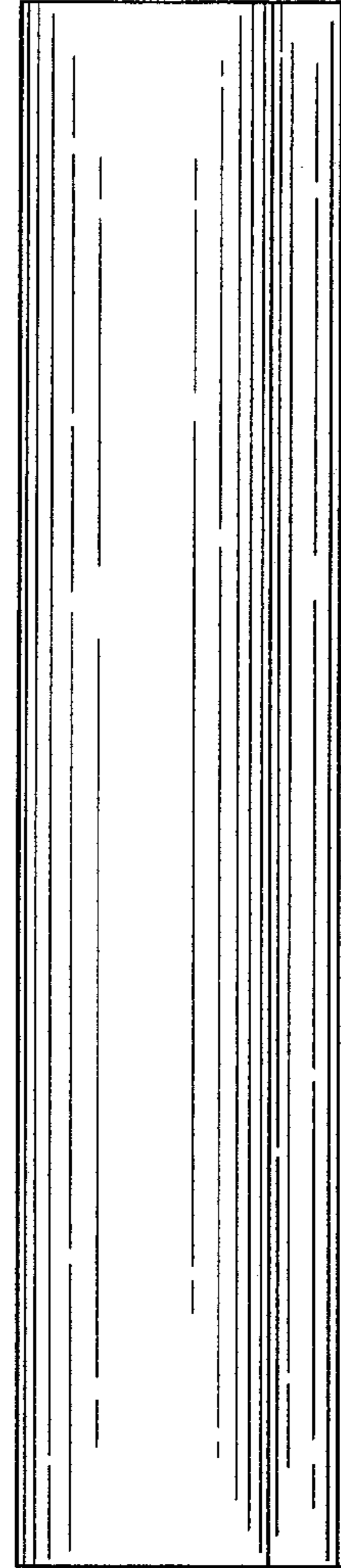


FIG. 3

FIG. 4

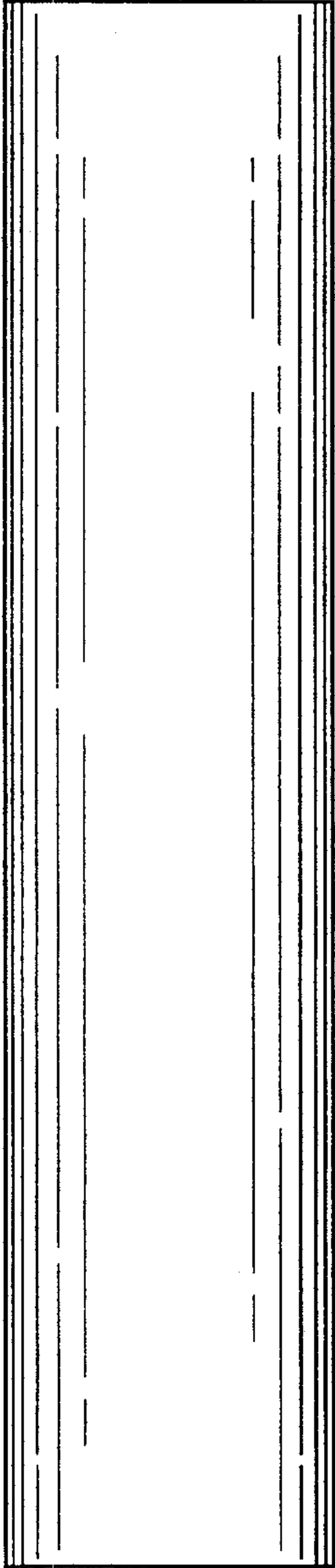


FIG. 5

