



US00D532580S

(12) **United States Design Patent**
Stephens

(10) **Patent No.:** **US D532,580 S**

(45) **Date of Patent:** **** Nov. 21, 2006**

(54) **MAILBOX SYSTEM**

6,308,884 B1 * 10/2001 Hamburger 232/38
6,513,284 B1 * 2/2003 Sandlin
D495,110 S * 8/2004 Sarich

(75) Inventor: **LaVerna Marie Stephens**, Chesterfield,
MI (US)

* cited by examiner

(73) Assignee: **Exclusive Products, LLC**, Chesterfield,
MI (US)

Primary Examiner—Paula A. Greene
(74) *Attorney, Agent, or Firm*—Reising, Ethington, Barnes,
Kisselle, P.C.; Michael C. Adams

(**) Term: **14 Years**

(57) **CLAIM**

(21) Appl. No.: **29/217,427**

The ornamental design for a mailbox system, as shown and
described.

(22) Filed: **Nov. 17, 2004**

(51) **LOC (8) Cl.** **99-00**

(52) **U.S. Cl.** **D99/29**

(58) **Field of Classification Search** D99/28-35;
232/17, 38, 45; D11/143, 144, 145; 40/606,
40/6; 211/85, 23

See application file for complete search history.

DESCRIPTION

FIG. 1 is a perspective view of the mailbox system of the
present invention;

FIG. 2 is a first side view of the mailbox system of FIG. 1;
FIG. 3 is a second side view of the mailbox system of FIG.
1;

FIG. 4 is a front view of the mailbox system of FIG. 1;

FIG. 5 is a rear view of the mailbox system of FIG. 1, and;

FIG. 6 is a top view of the mailbox system of FIG. 1.

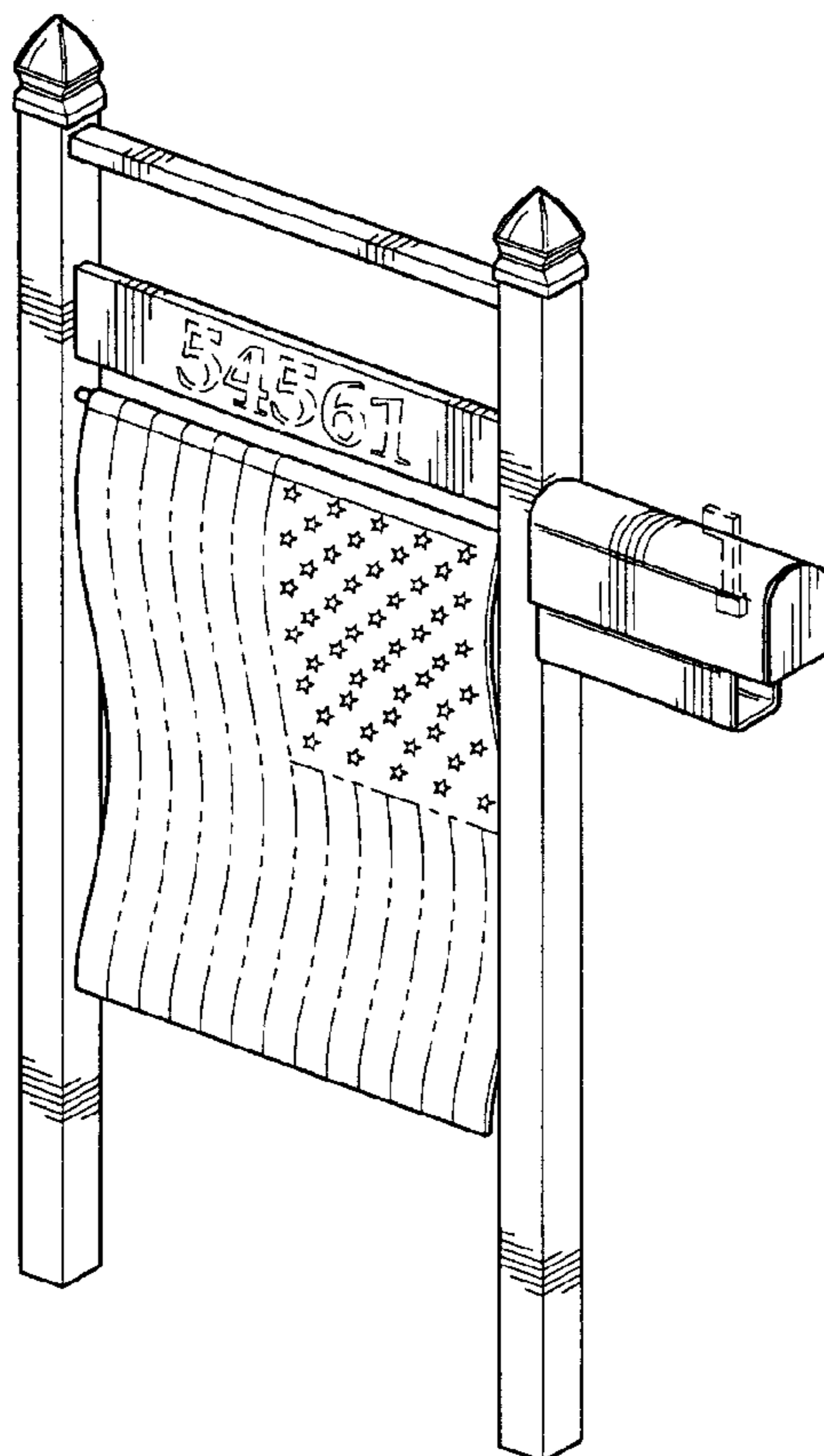
The broken lines showing the address numbers, the indicator
flag on the mailbox, and the surface ornamentation on the
flag are for illustrative purposes only and form no part of the
claimed ornamental design.

(56) **References Cited**

U.S. PATENT DOCUMENTS

- 1,495,741 A * 5/1924 Higdon, Jr.
- D313,105 S * 12/1990 Klahre D99/29
- D322,418 S * 12/1991 White D11/144
- 5,903,991 A * 5/1999 Sasse
- 5,984,172 A * 11/1999 Easterwood 232/38
- 6,032,808 A * 3/2000 Henson 211/85.23

1 Claim, 2 Drawing Sheets



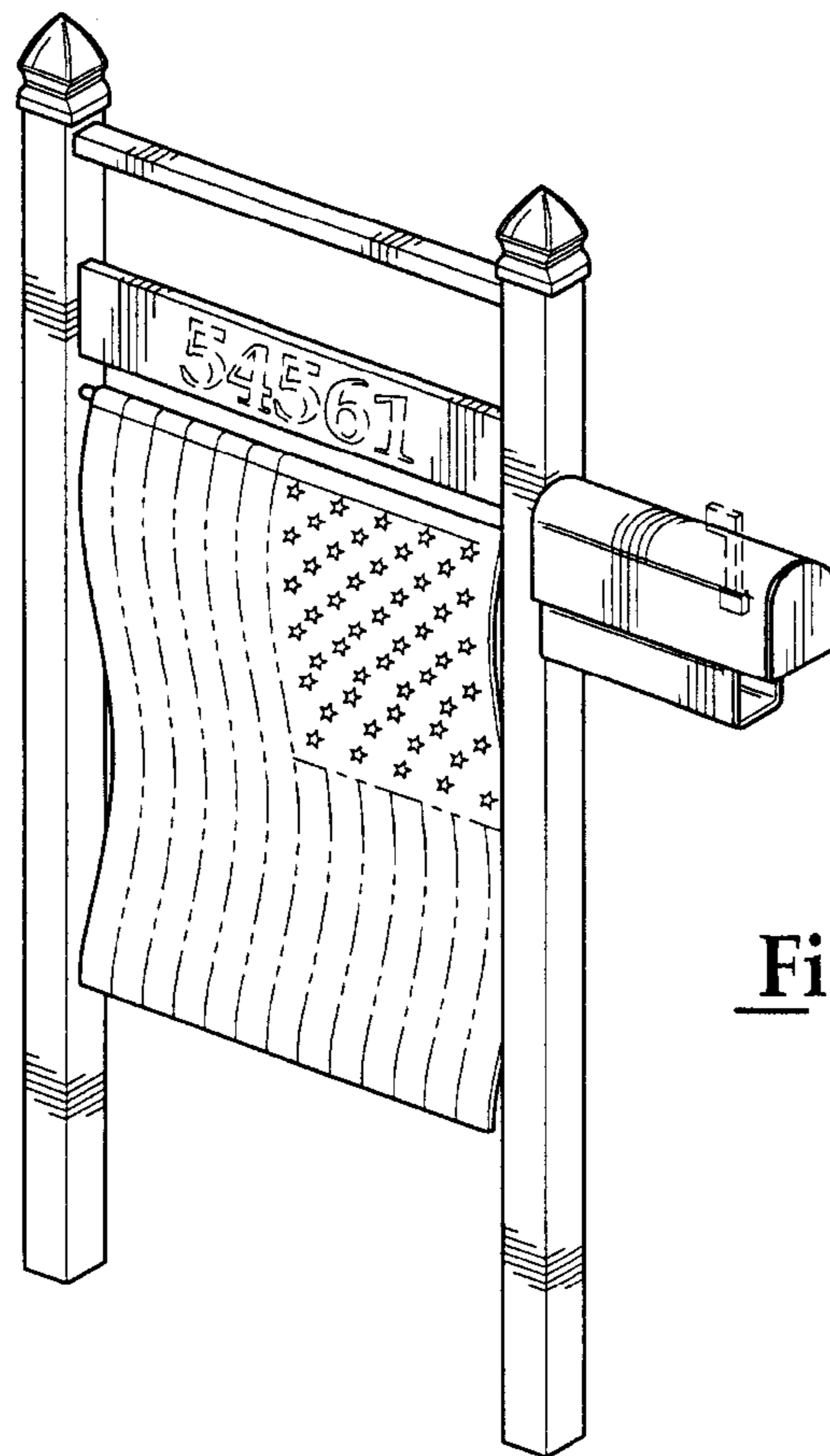


Figure 1

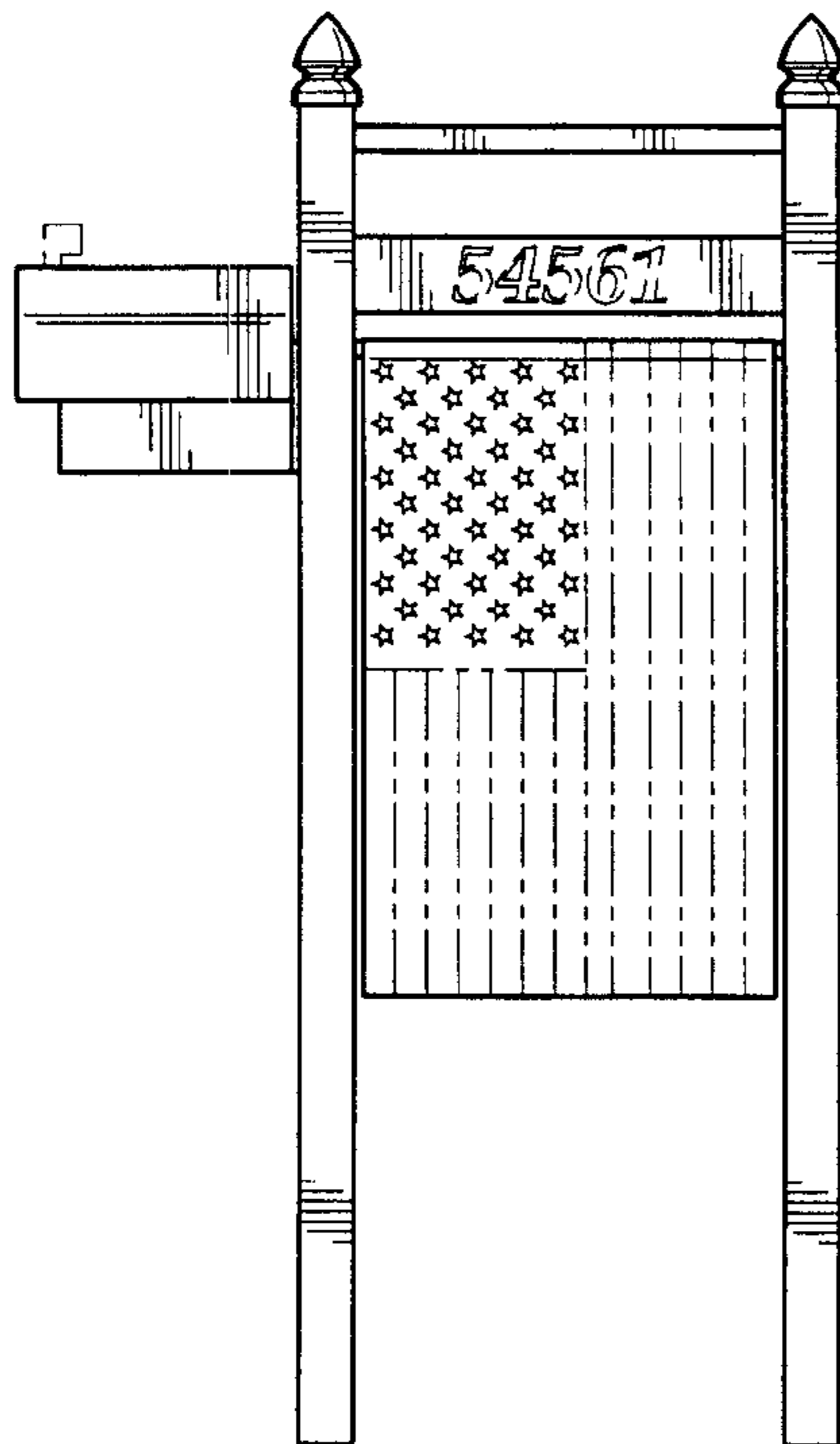


Figure 2

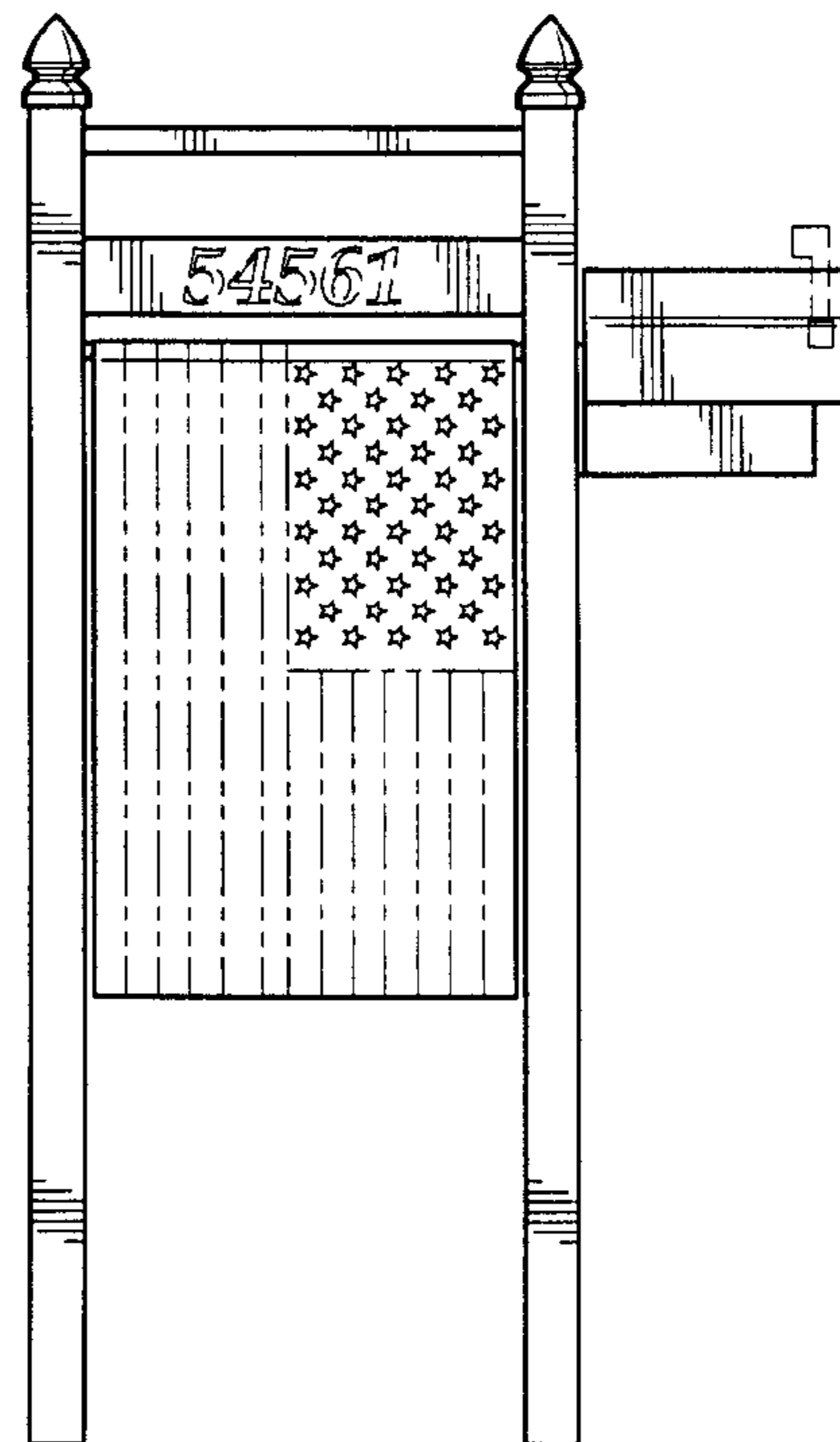


Figure 3

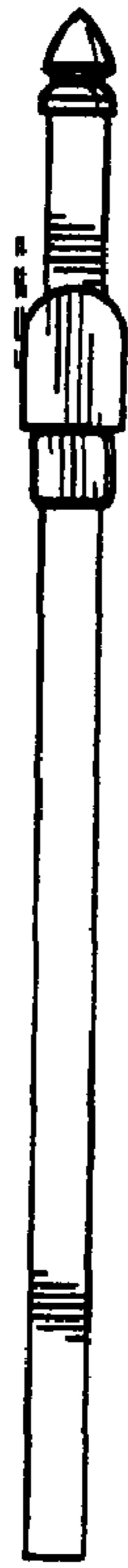


Figure 4

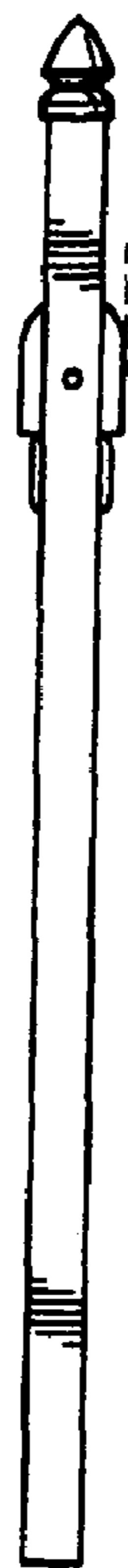


Figure 5



Figure 6