



US00D532579S

(12) **United States Design Patent**  
**Kang et al.**

(10) **Patent No.:** **US D532,579 S**

(45) **Date of Patent:** **\*\* Nov. 21, 2006**

(54) **AUTOMATED TELLER MACHINE**

(75) Inventors: **Dong Goo Kang**, Kyungi-Do (KR);  
**Jong Ok Lee**, Kyungi-Do (KR); **Hee Yeoun Lee**, Kyungi-Do (KR)

(73) Assignee: **Nautilus Hyosung Inc.** (KR)

(\*\*) Term: **14 Years**

(21) Appl. No.: **29/243,031**

(22) Filed: **Nov. 18, 2005**

(30) **Foreign Application Priority Data**

Sep. 30, 2005 (KR) ..... 30-2005-0033268

(51) **LOC (8) Cl.** ..... **18-01**

(52) **U.S. Cl.** ..... **D99/28; D18/3.1**

(58) **Field of Classification Search** ..... D99/28,  
D99/35, 36, 40, 41, 43; D20/1, 4, 5; D18/3.1,  
D18/3.3; 235/379, 380, 381; 194/206, 350  
See application file for complete search history.

(56) **References Cited**

**U.S. PATENT DOCUMENTS**

D291,936 S \* 9/1987 Long ..... D99/28  
6,029,888 A \* 2/2000 Harvey ..... 235/379  
D427,413 S \* 6/2000 Wallace et al. .... D99/35

D456,587 S \* 4/2002 Kit et al. .... D99/28  
6,527,172 B1 \* 3/2003 Lewis et al. .... 235/379  
D479,642 S \* 9/2003 Magee et al. .... D99/28  
D481,515 S \* 10/2003 Magee et al. .... D99/28  
D494,730 S \* 8/2004 Magee et al. .... D99/28  
6,983,879 B1 \* 1/2006 Ramachandran et al. ... 235/379

\* cited by examiner

*Primary Examiner*—Paula A. Greene

(74) *Attorney, Agent, or Firm*—Fish & Richardson P.C.

(57) **CLAIM**

The ornamental design for an automated teller machine, as shown and described.

**DESCRIPTION**

FIG. 1 is a perspective view.

FIG. 2 is a front view.

FIG. 3 is a rear view.

FIG. 4 is a left side view.

FIG. 5 is a right side view.

FIG. 6 is a plan view; and,

FIG. 7 is a bottom view.

The combined shape and figure of the automated teller machine is claimed as the main point of creation in the design application.

**1 Claim, 7 Drawing Sheets**

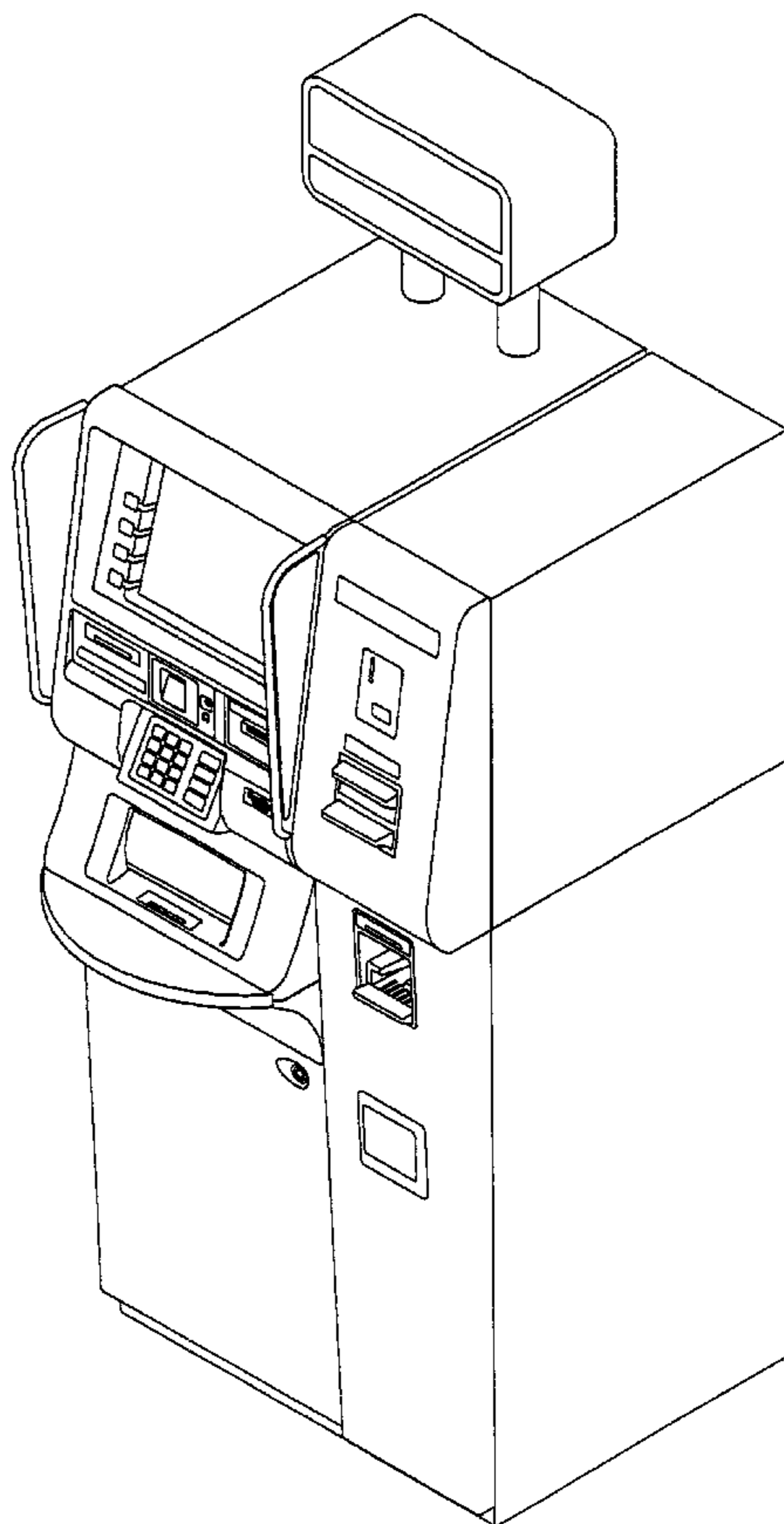


FIG. 1

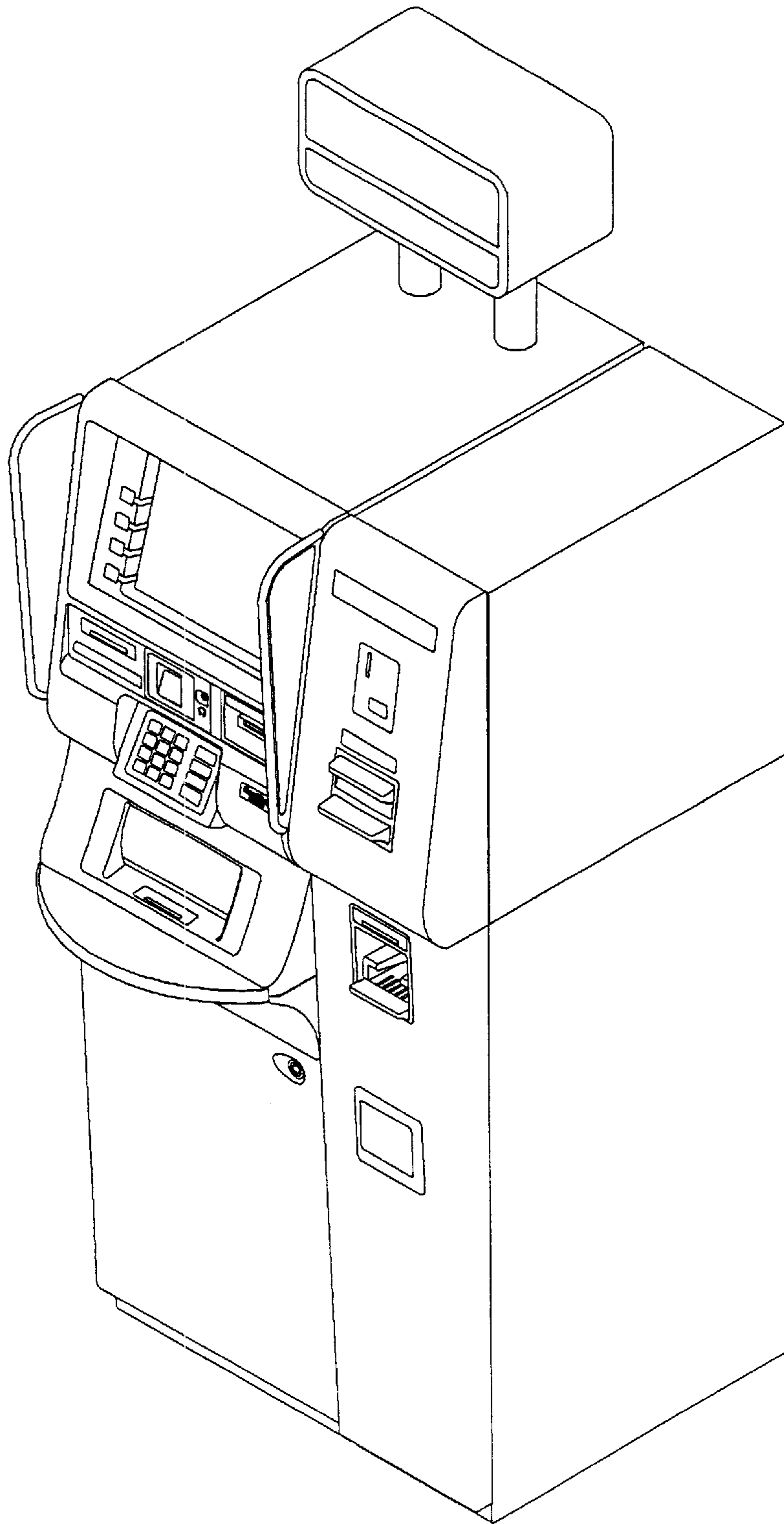


FIG. 2

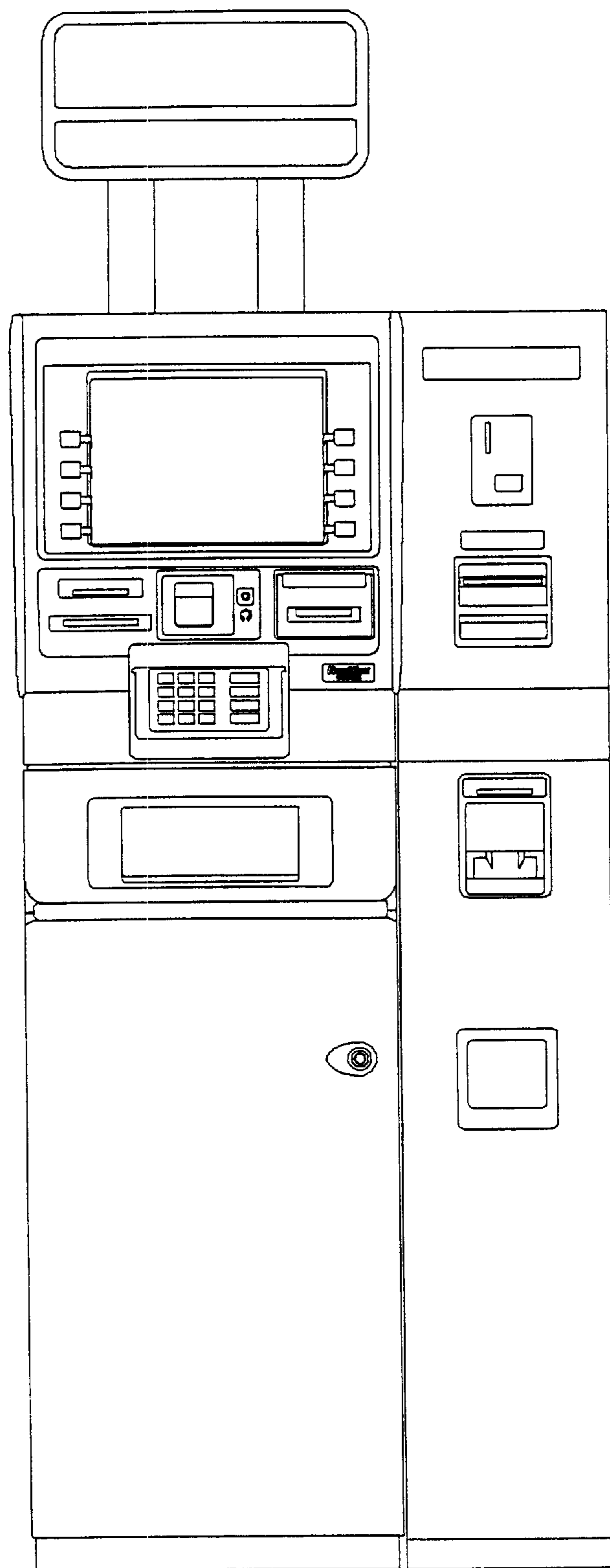


FIG. 3

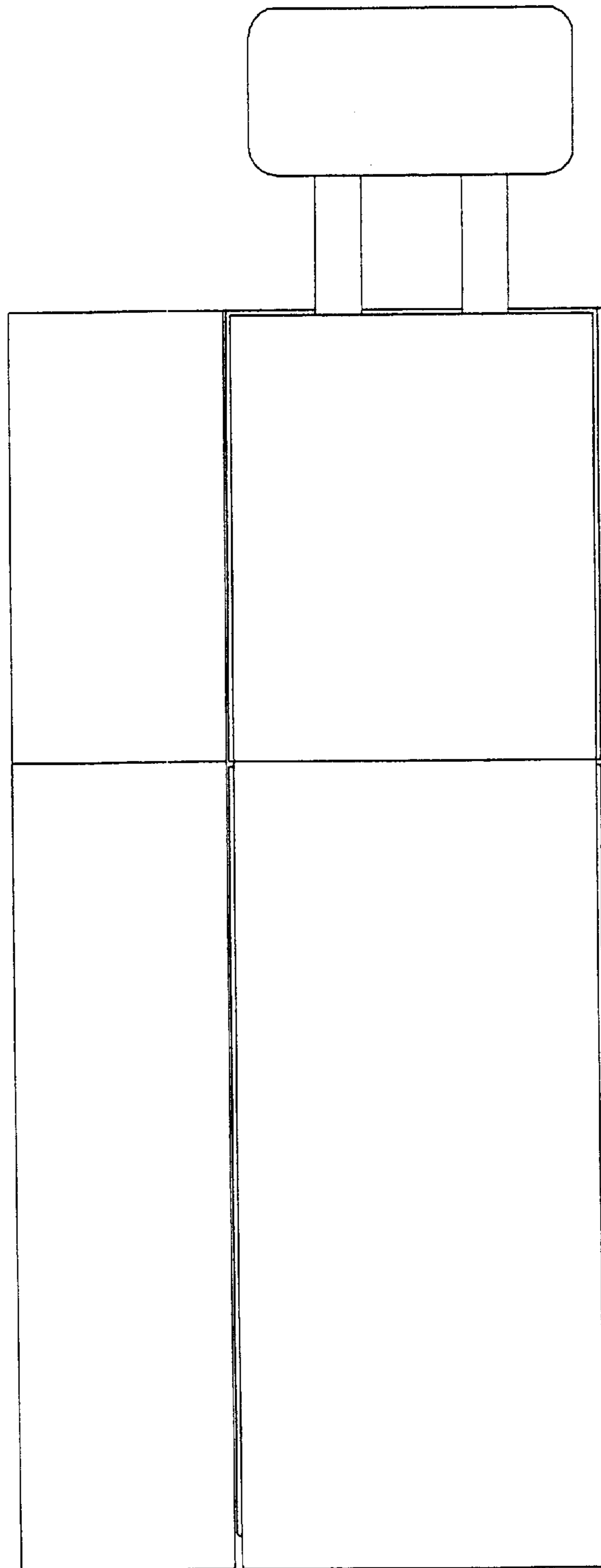


FIG. 4

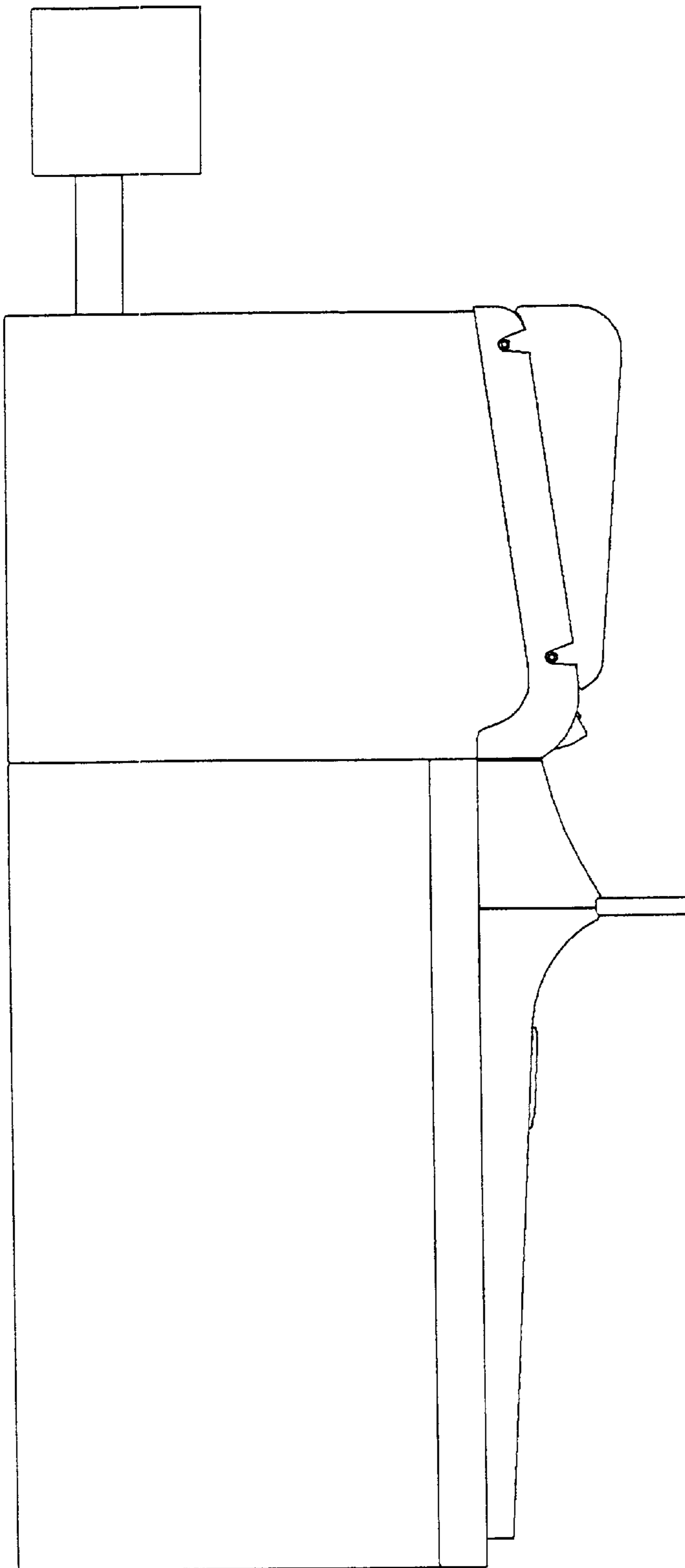


FIG. 5

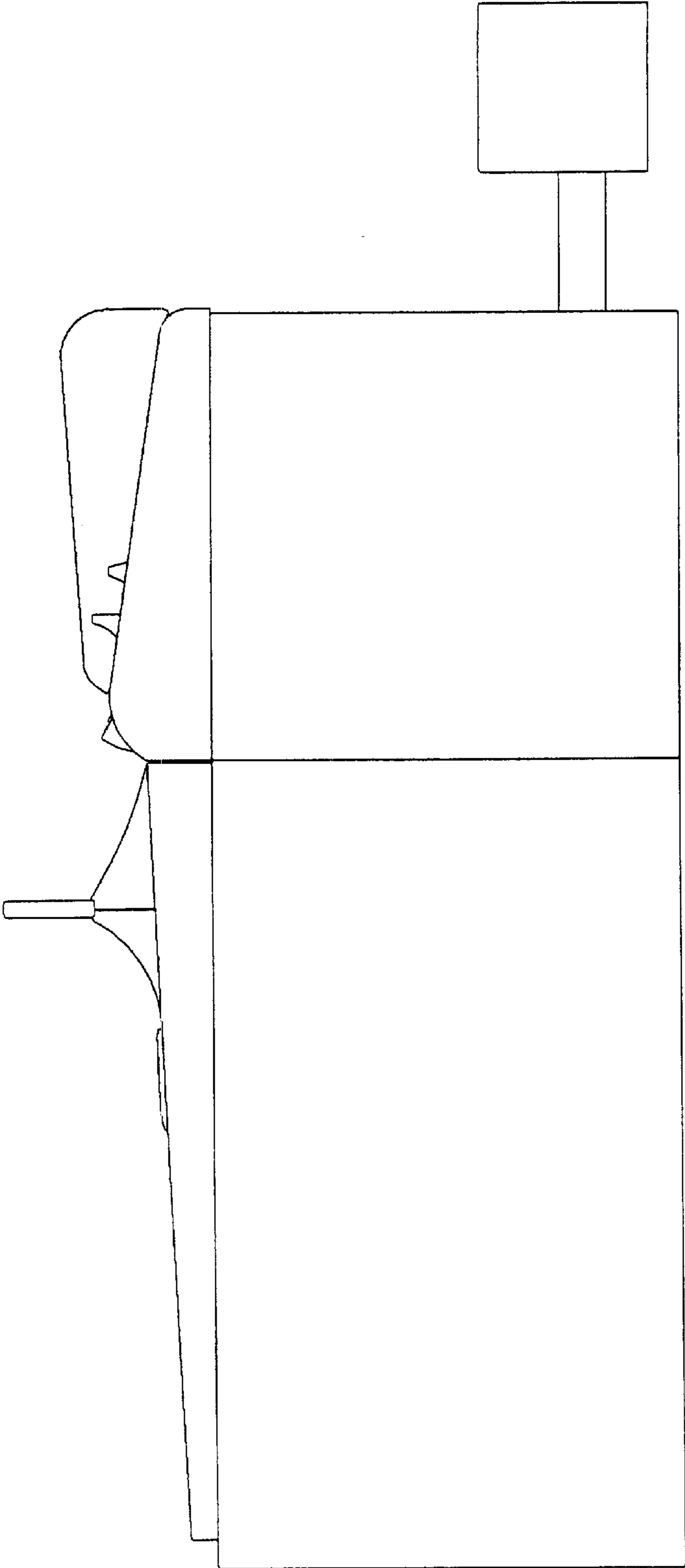


FIG. 6

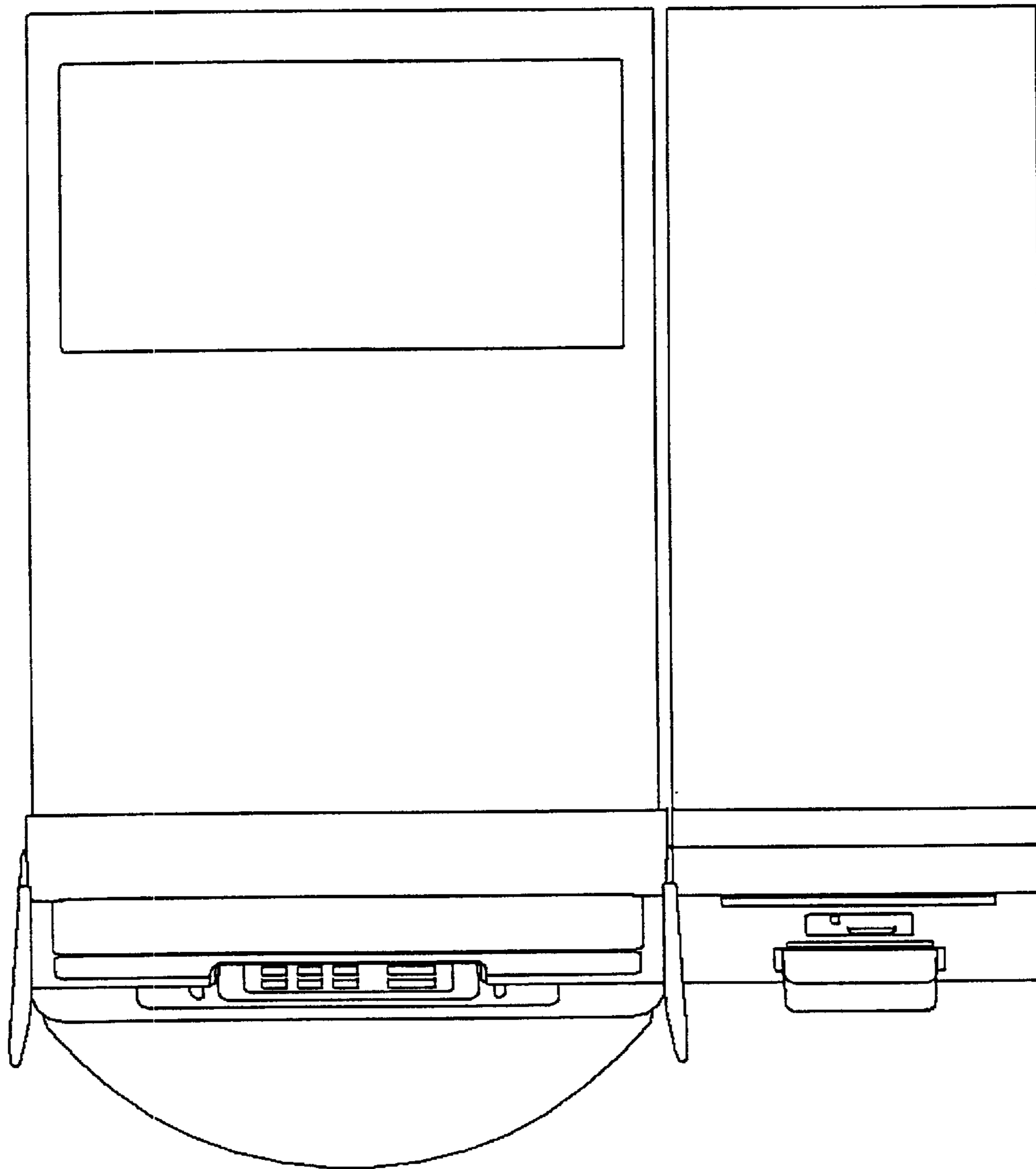


FIG. 7

