



US00D532577S

(12) **United States Design Patent**
Elliott et al.

(10) **Patent No.:** **US D532,577 S**

(45) **Date of Patent:** **** Nov. 21, 2006**

(54) **WINCH**

(75) Inventors: **Ronald L Elliott**, Oregon City, OR
(US); **Thomas M Loveall**, Milwaukie,
OR (US)

(73) Assignee: **Warn Industries, Inc.**, Milwaukie, OR
(US)

(**) Term: **14 Years**

(21) Appl. No.: **29/214,879**

(22) Filed: **Oct. 8, 2004**

(51) **LOC (8) Cl.** **12-05**

(52) **U.S. Cl.** **D34/33**

(58) **Field of Classification Search** D34/28,
D34/33; 254/382, 374, 356; 294/82.11; 280/490.1
See application file for complete search history.

(56) **References Cited**

U.S. PATENT DOCUMENTS

2,680,004 A * 6/1954 Herker 254/340
3,537,688 A * 11/1970 Bertha 135/95
D309,969 S * 8/1990 Tamura D34/33
D411,364 S * 6/1999 Sasaki et al. D34/33

6,073,917 A * 6/2000 Plummer 254/389
D471,338 S 3/2003 Hodge
D473,992 S 4/2003 Hodge
D475,499 S 6/2003 Hodge
D479,899 S 9/2003 Hodge
D489,157 S 4/2004 Lawson
D491,333 S * 6/2004 Blasek D34/33

* cited by examiner

Primary Examiner—Cynthia E. Ramirez

(74) *Attorney, Agent, or Firm*—Harness, Dickey & Pierce,
P.L.C.

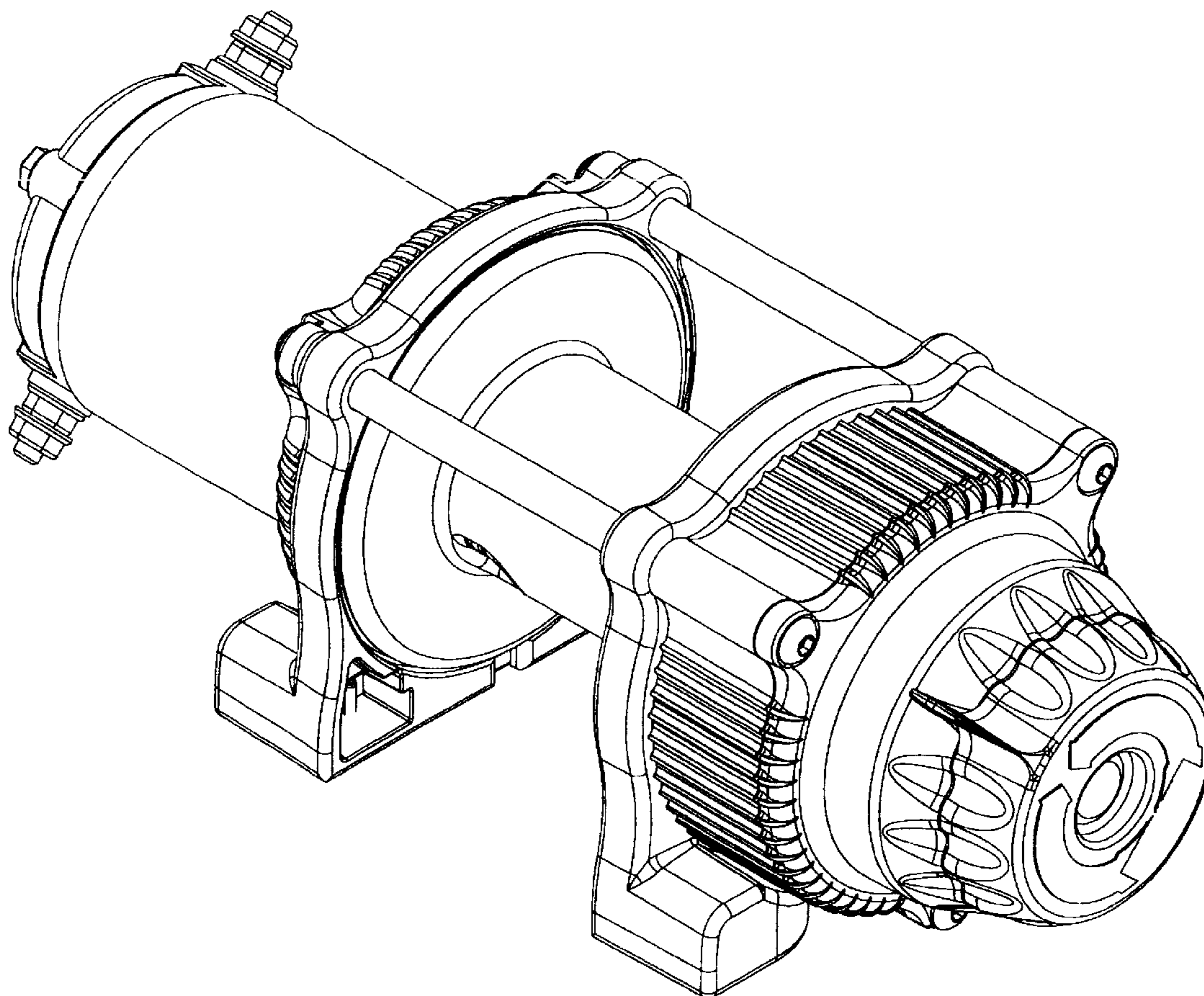
(57) **CLAIM**

The ornamental design for a winch, as shown and described.

DESCRIPTION

FIG. 1 is a front perspective view of a winch;
FIG. 2 is a front plan view thereof;
FIG. 3 is a back view thereof;
FIG. 4 is a top view thereof;
FIG. 5 is a bottom view thereof;
FIG. 6 is a right side view thereof; and,
FIG. 7 is a left side view thereof.

1 Claim, 7 Drawing Sheets



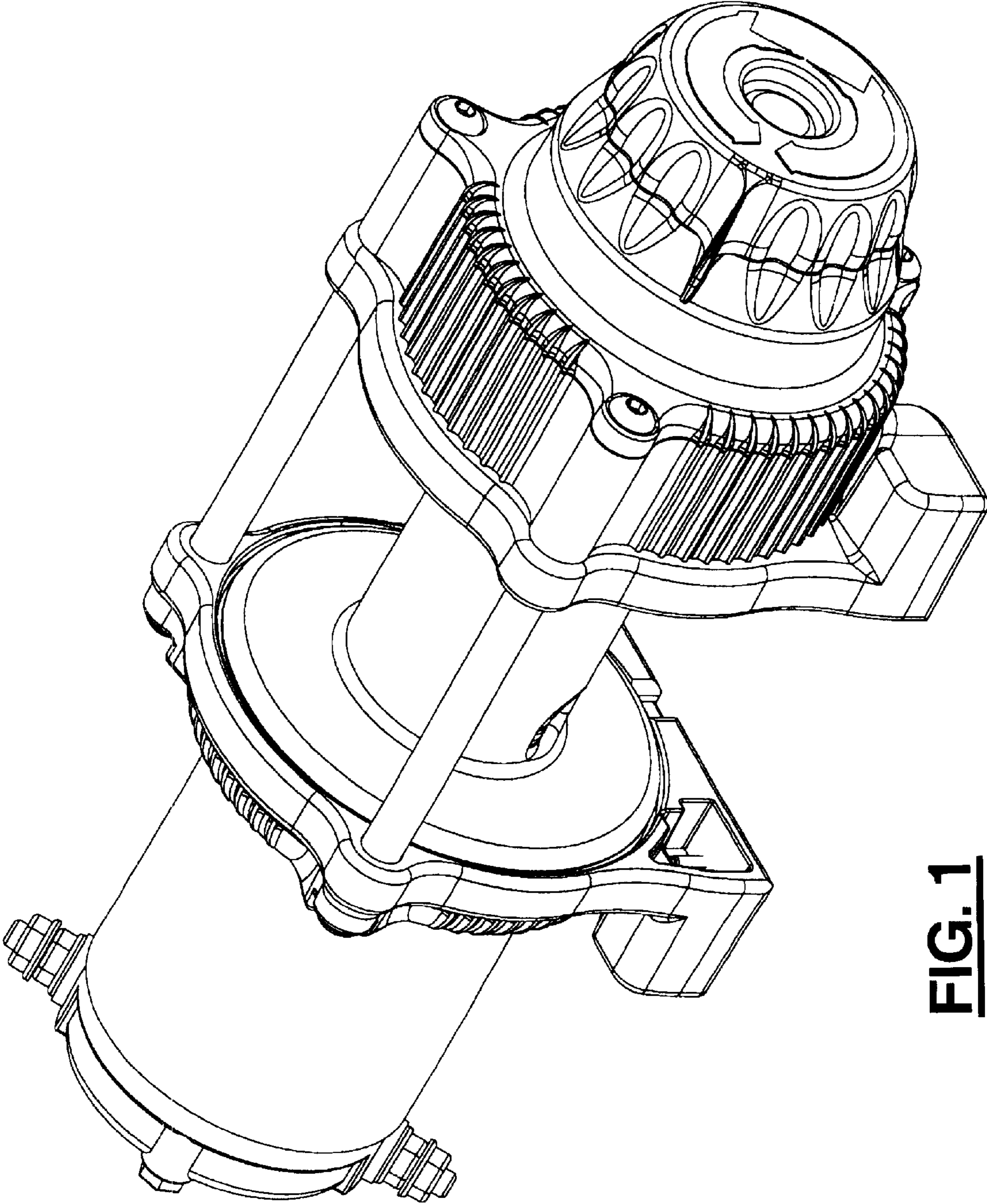


FIG. 1

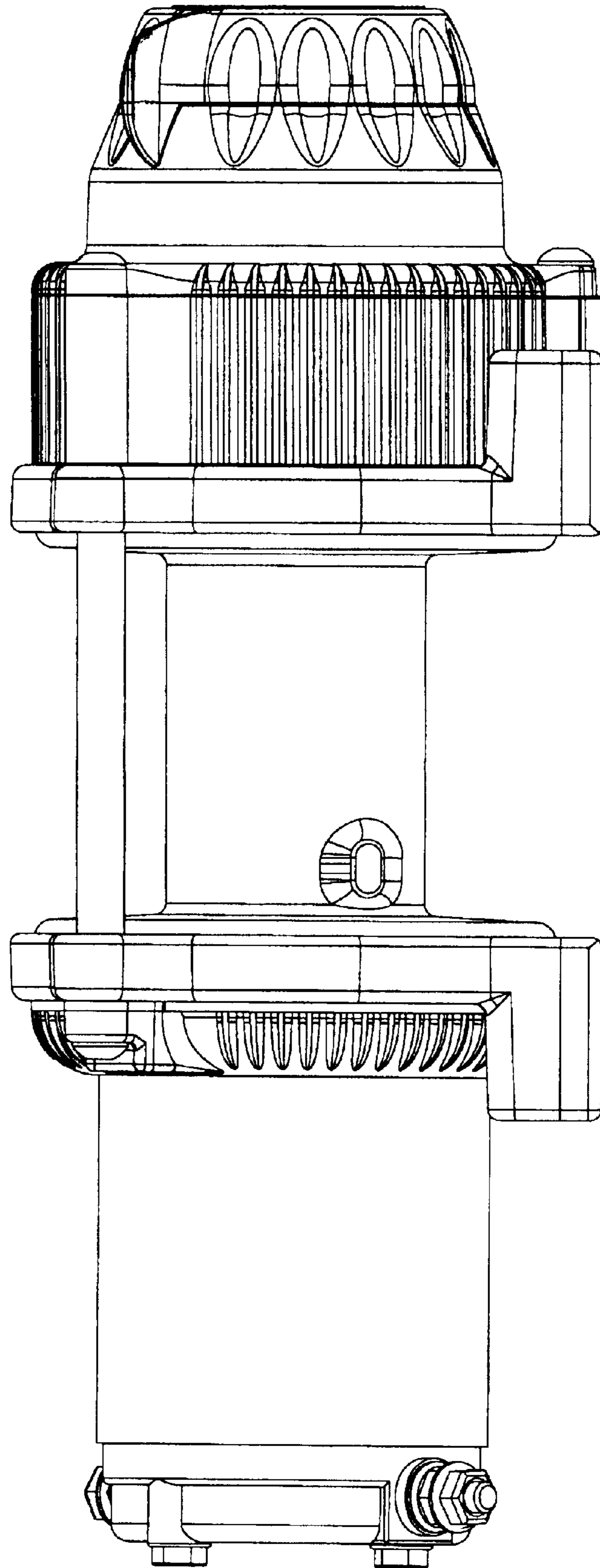


FIG. 2

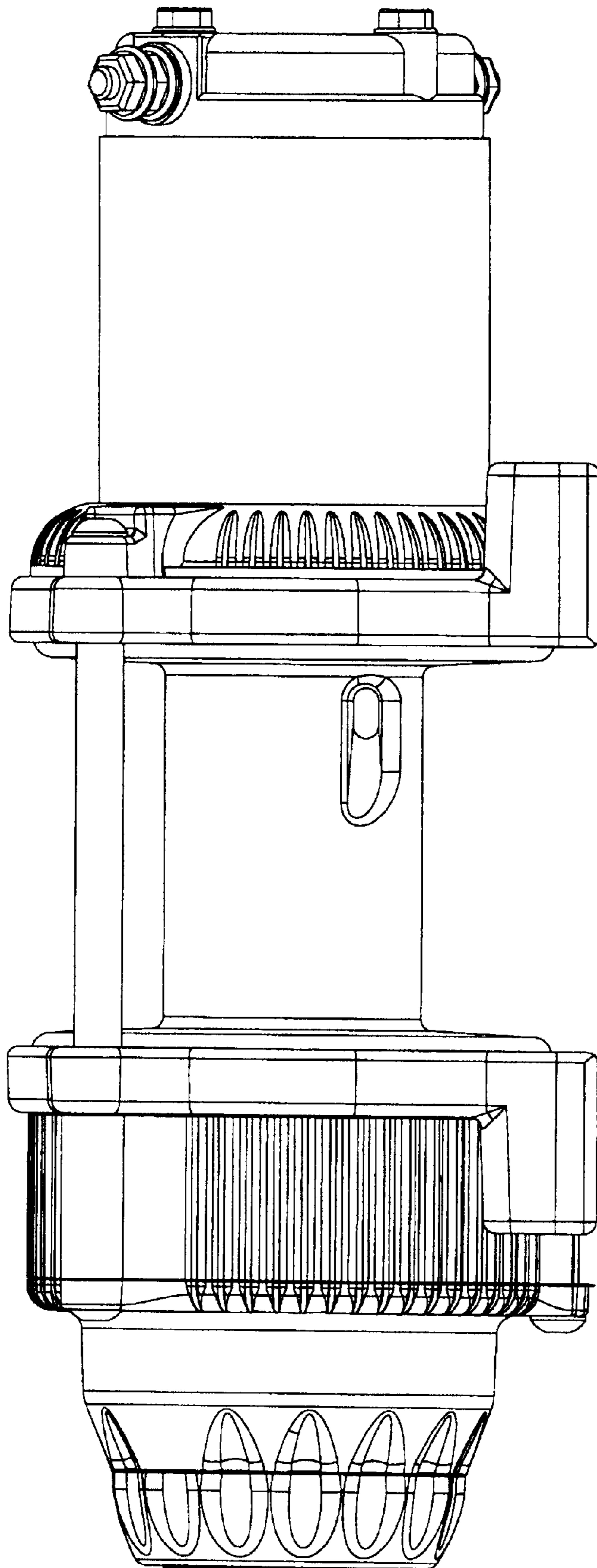


FIG. 3

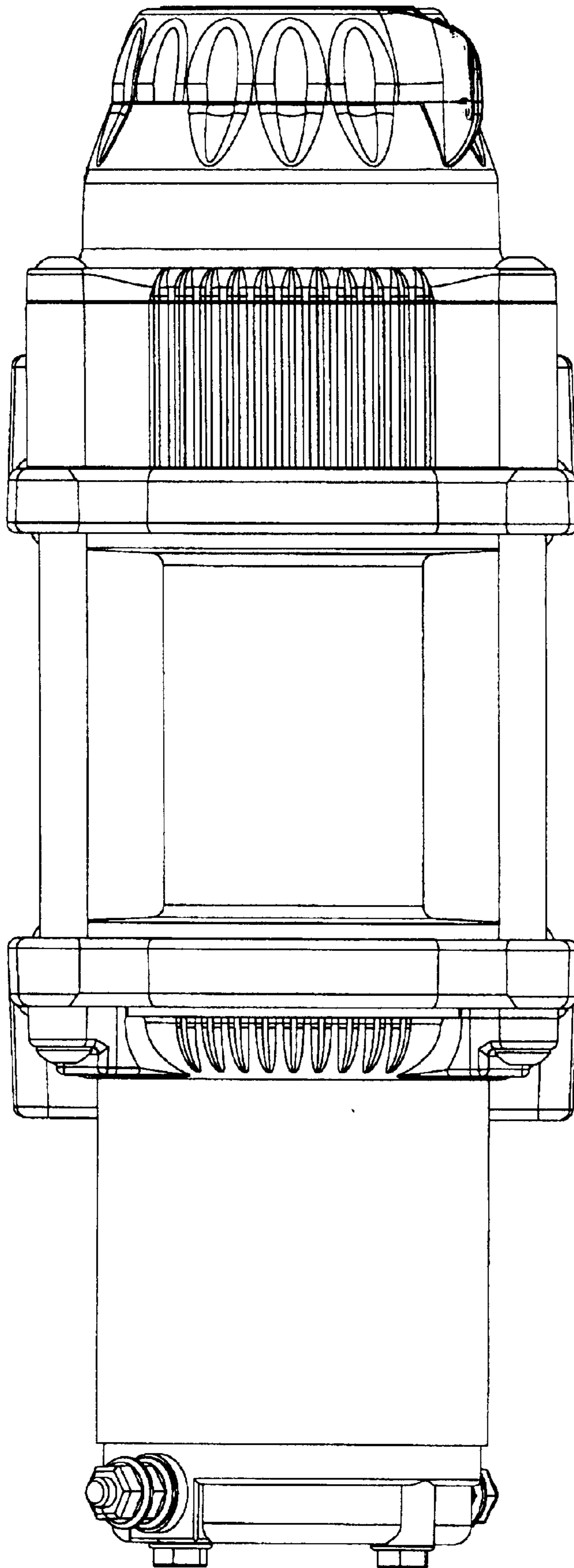


FIG. 4

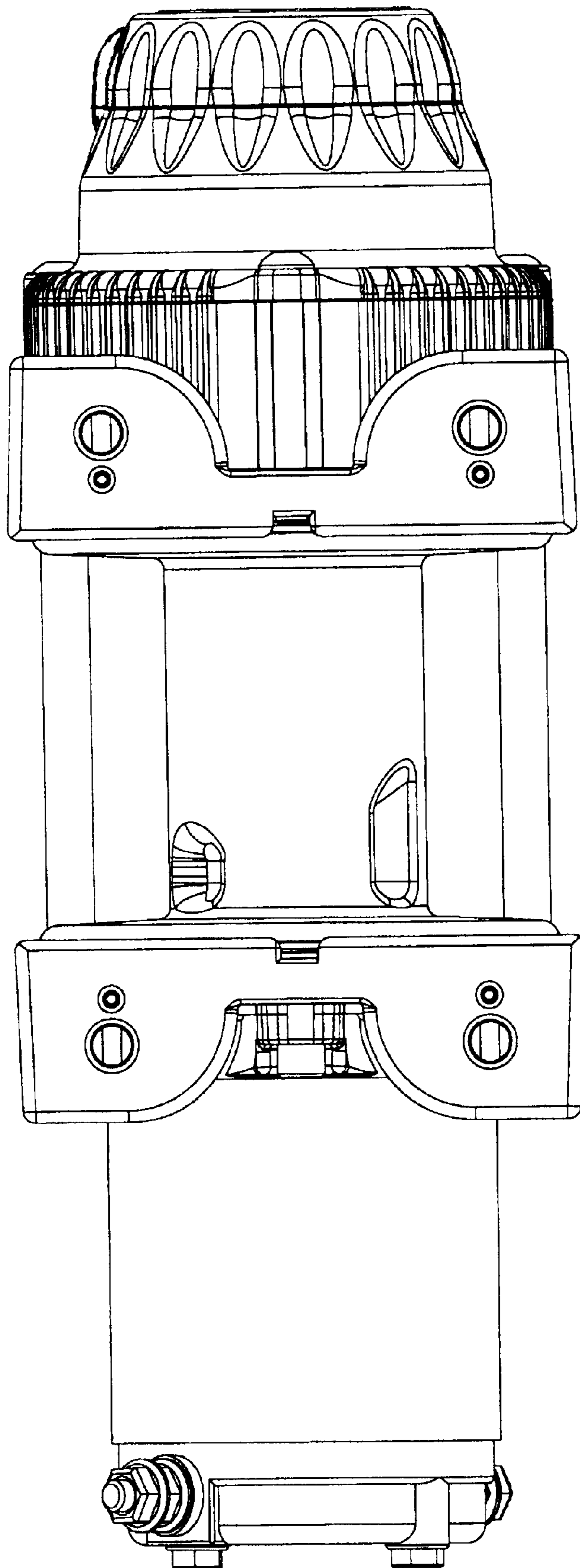


FIG. 5

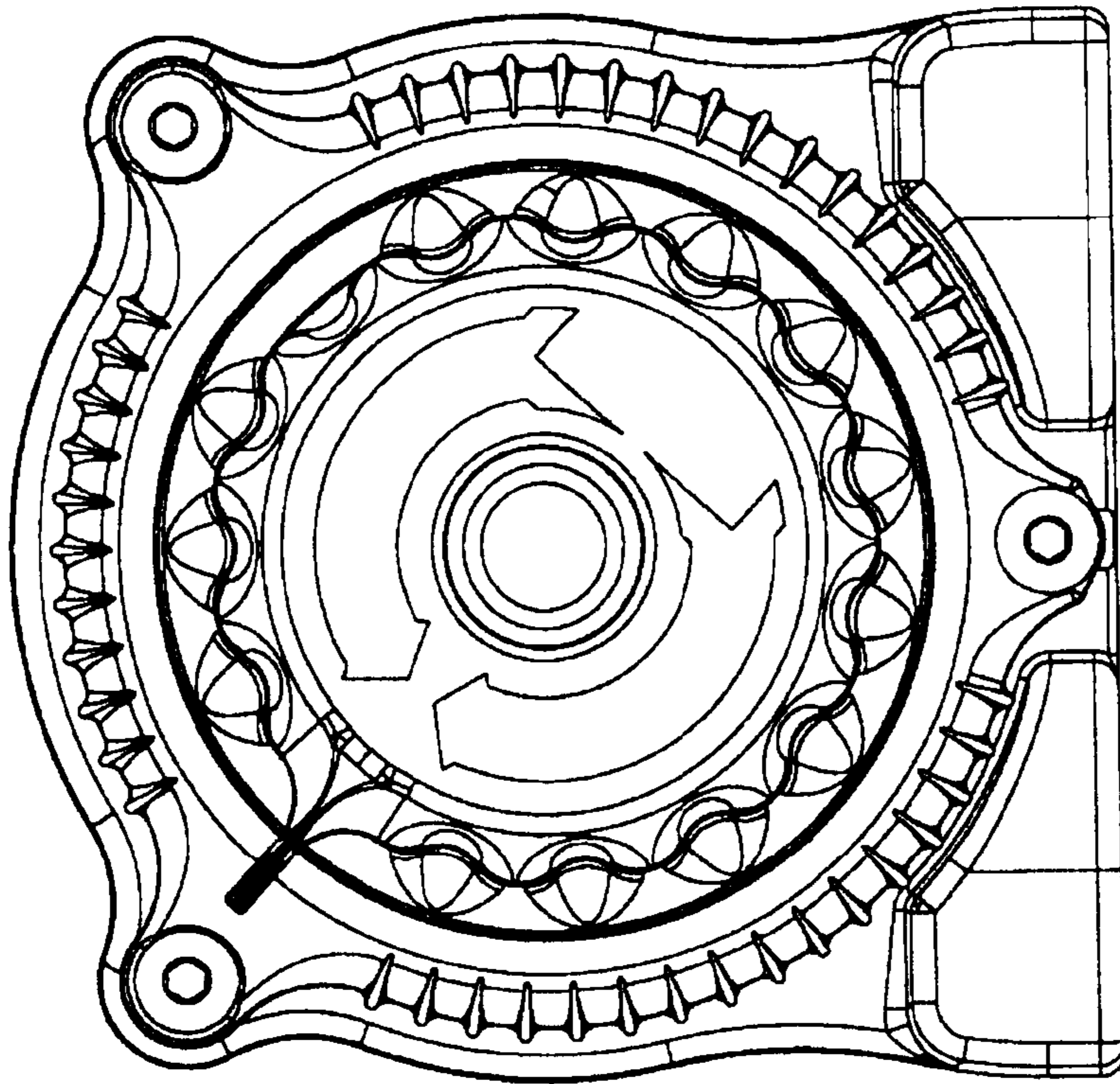


FIG. 6

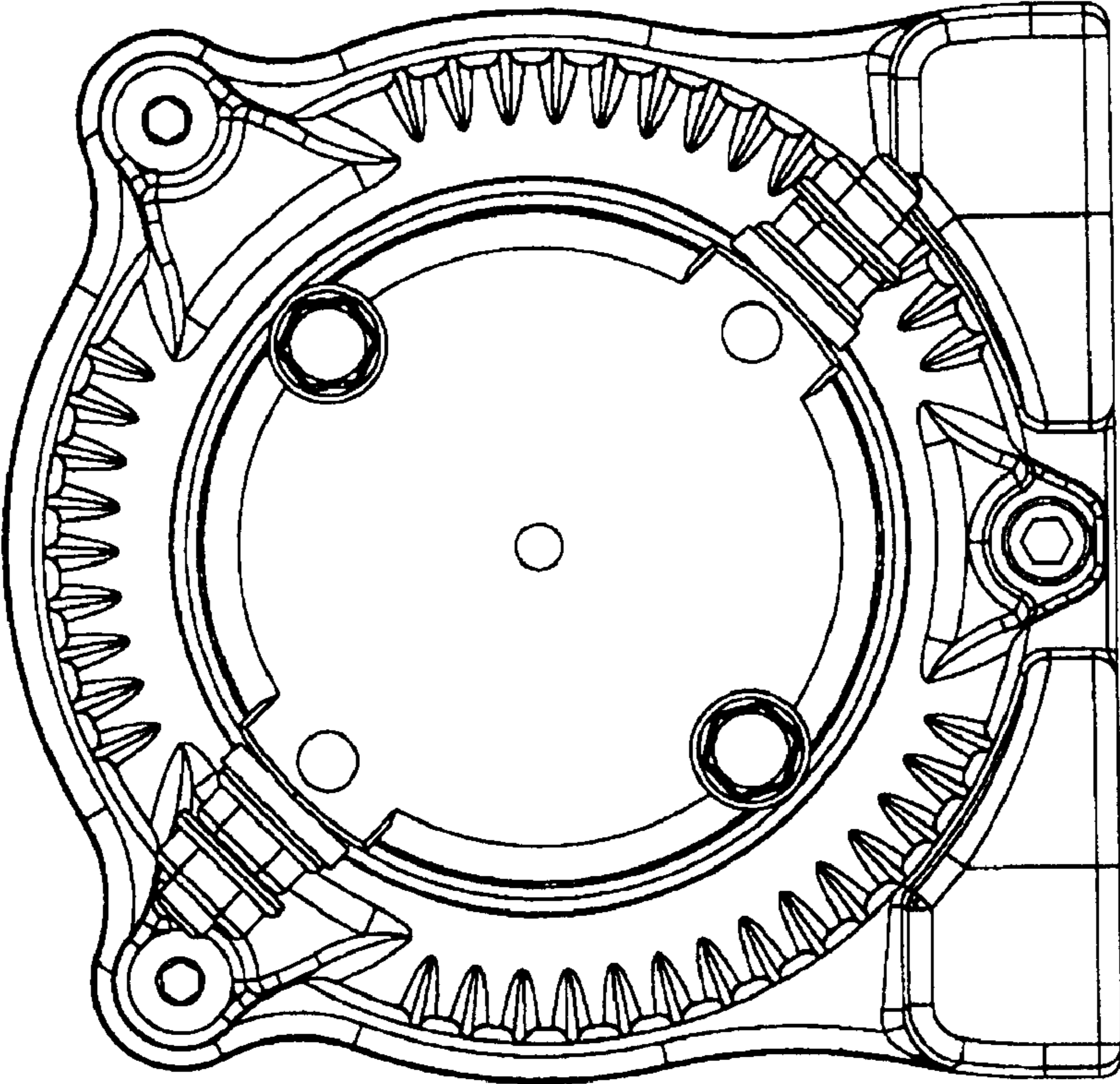


FIG. 7