



US00D532575S

(12) **United States Design Patent**  
**Oberg**

(10) **Patent No.:** **US D532,575 S**

(45) **Date of Patent:** **\*\* Nov. 21, 2006**

(54) **COMBINED WHEEL DOLLY AND JACK**

(75) **Inventor:** **James D. Oberg**, Alexandria, MN (US)

(73) **Assignee:** **BAC Industries**, Hopkins, MN (US)

(\*\*) **Term:** **14 Years**

(21) **Appl. No.:** **29/214,493**

(22) **Filed:** **Oct. 4, 2004**

(51) **LOC (8) Cl.** ..... **12-05**

(52) **U.S. Cl.** ..... **D34/28; D34/31; D34/23**

(58) **Field of Classification Search** ..... D34/23,  
D34/28, 31; 414/429, 428, 427, 343; 254/111,  
254/8 B, 2 R, 126; 187/204, 207  
See application file for complete search history.

(56) **References Cited**

**U.S. PATENT DOCUMENTS**

2,380,415	A	*	7/1945	Carruthers	.....	414/429
2,392,409	A	*	1/1946	Ray	.....	414/429
3,954,198	A	*	5/1976	Sedelmayer	.....	414/429
4,692,082	A	*	9/1987	Smith	.....	414/429
4,854,803	A	*	8/1989	Coccaro	.....	414/429
4,872,694	A	*	10/1989	Griesinger	.....	280/79.4
5,112,070	A	*	5/1992	Hahn	.....	280/79.4
D345,843	S	*	4/1994	Collins	.....	D34/31

D370,109	S	*	5/1996	Hodges	.....	D34/23
6,179,542	B1	*	1/2001	Haven	.....	414/428
D468,512	S	*	1/2003	Hernandez	.....	D34/28
6,789,994	B1	*	9/2004	Tortellier	.....	414/429
D519,705	S	*	4/2006	Kong et al.	.....	D34/31

\* cited by examiner

*Primary Examiner*—Cynthia E. Ramirez

(74) *Attorney, Agent, or Firm*—Nikolai & Mersereau, P.A.

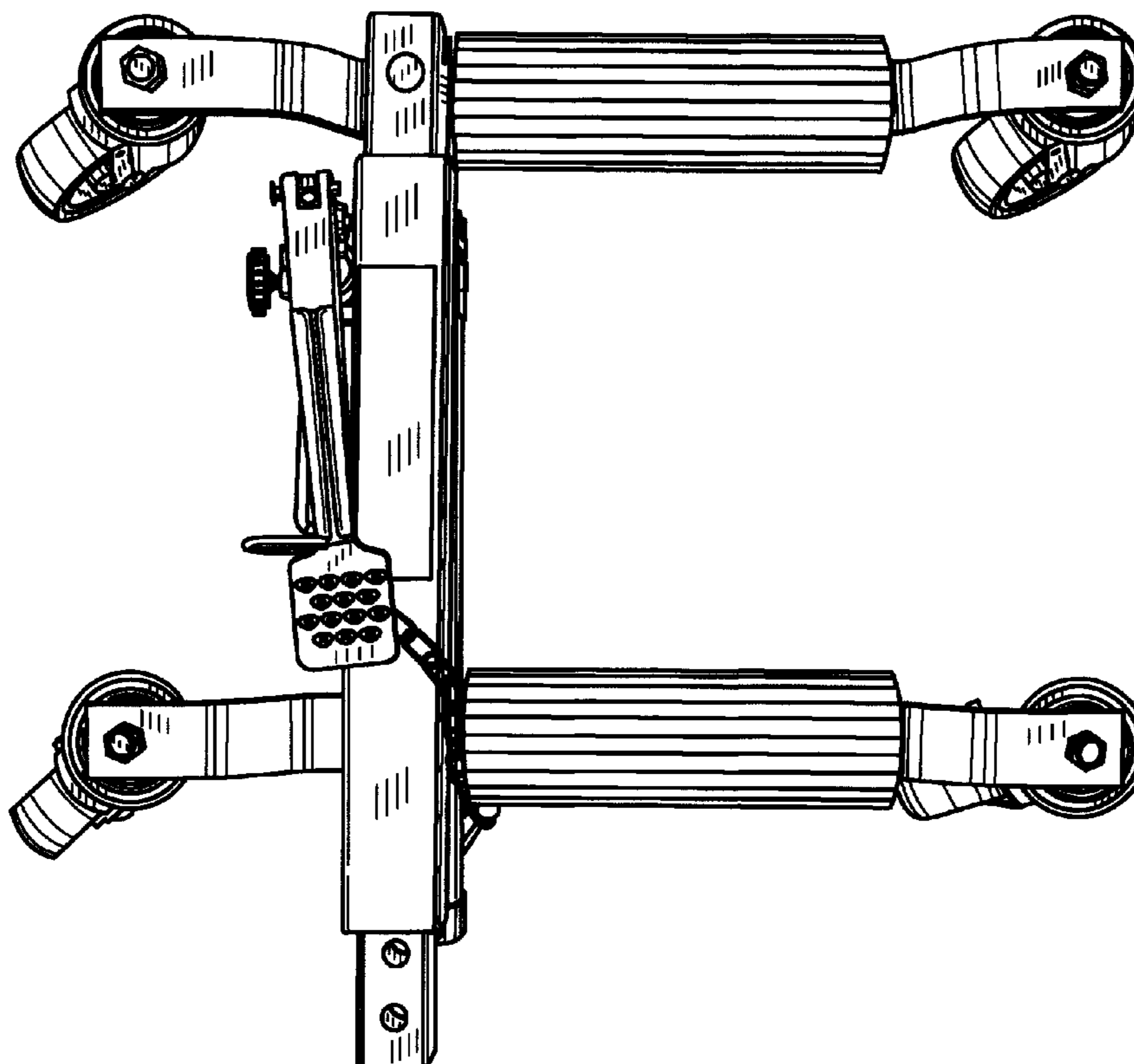
(57) **CLAIM**

The ornamental design for the “combined wheel dolly and jack,” as shown and described.

**DESCRIPTION**

FIG. 1 is a top perspective view of the combined wheel dolly and jack in a closed position;  
 FIG. 2 is a bottom perspective view thereof;  
 FIG. 3 is a rear perspective view thereof;  
 FIG. 4 is a right perspective view thereof;  
 FIG. 5 is a front perspective view thereof;  
 FIG. 6 is a left perspective view thereof;  
 FIG. 7 is a top perspective view of the combined wheel dolly and jack in an open position;  
 FIG. 8 is a right perspective view thereof; and,  
 FIG. 9 is a left perspective view thereof.

**1 Claim, 9 Drawing Sheets**



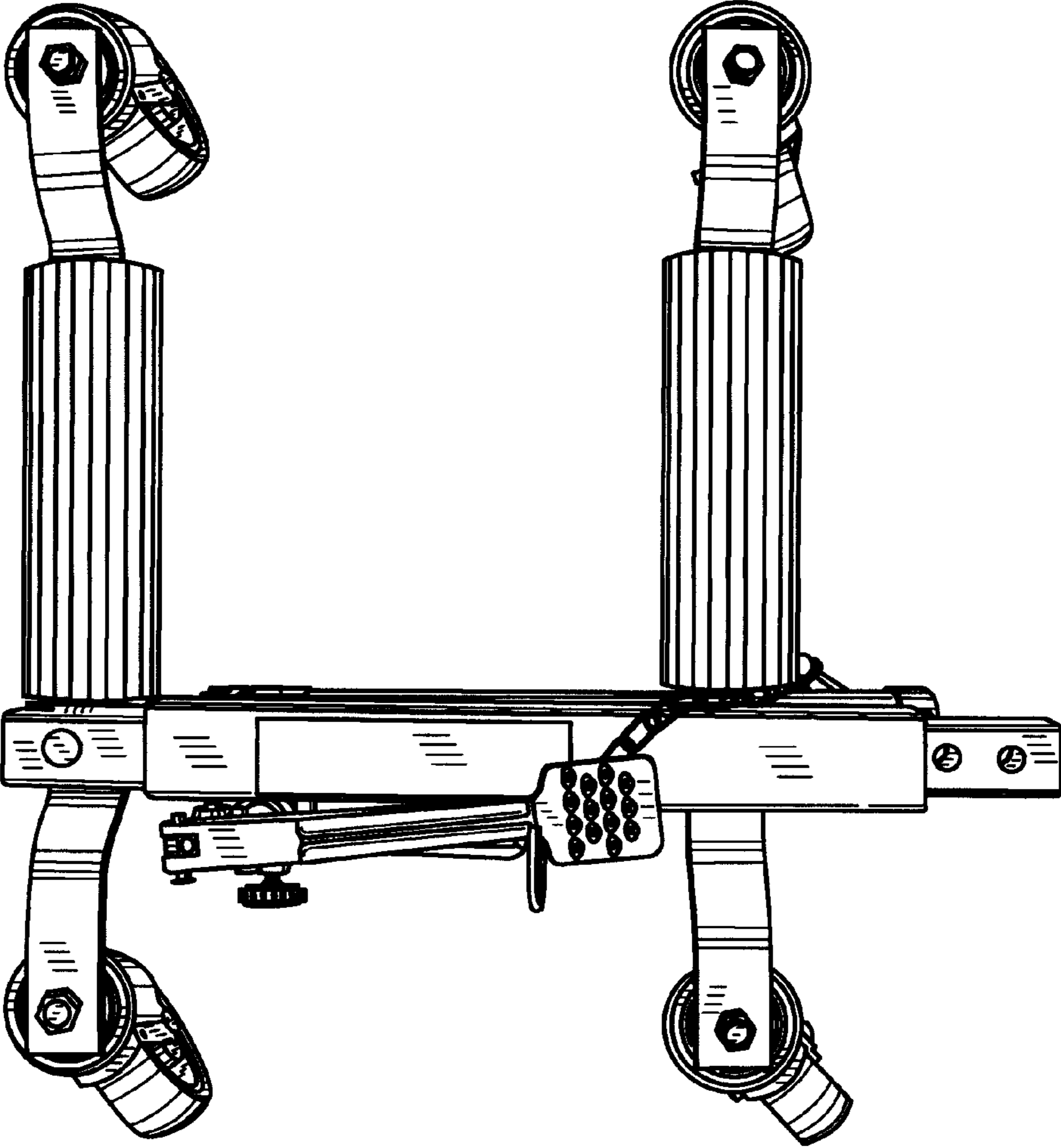


FIG. 1

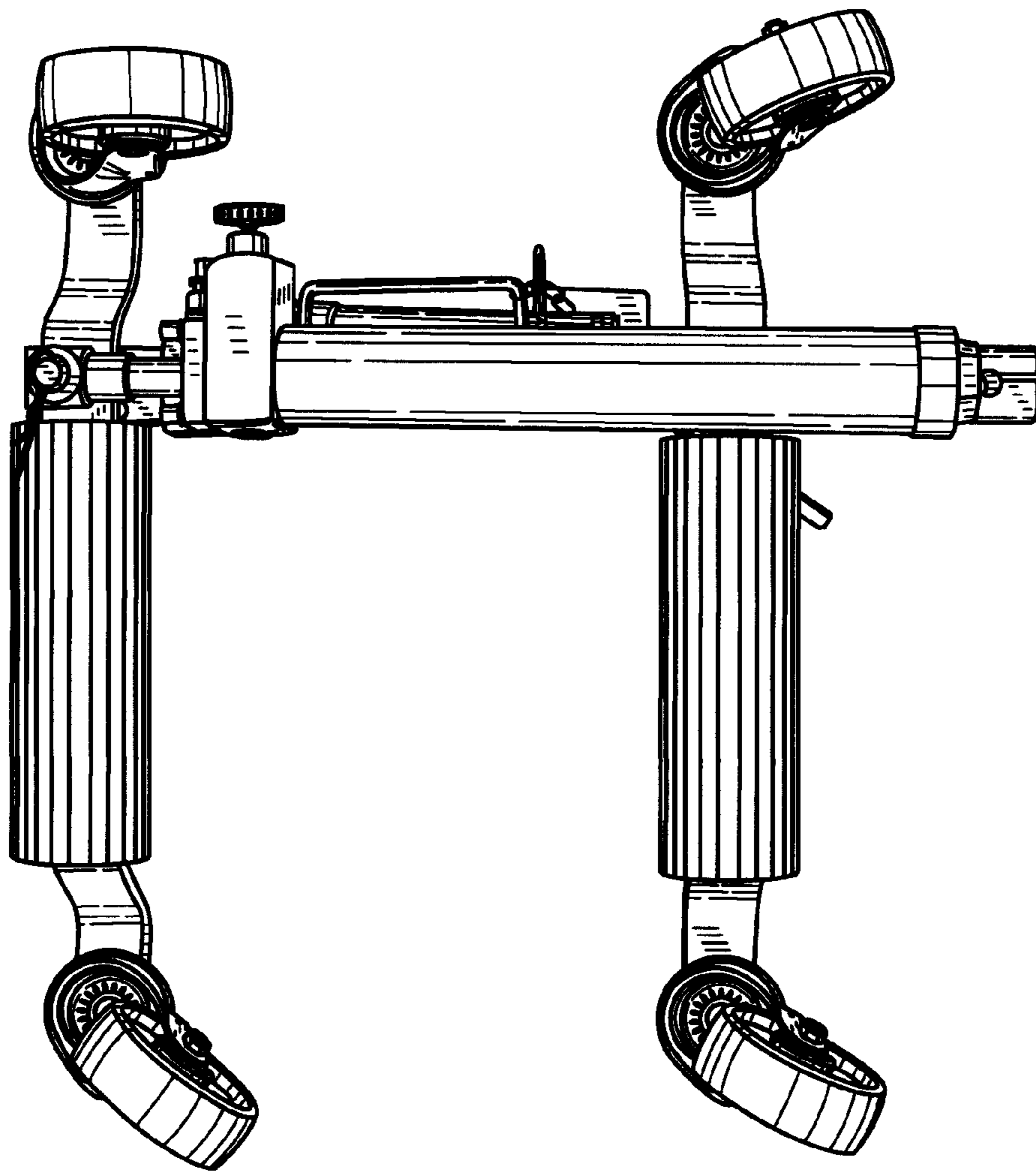
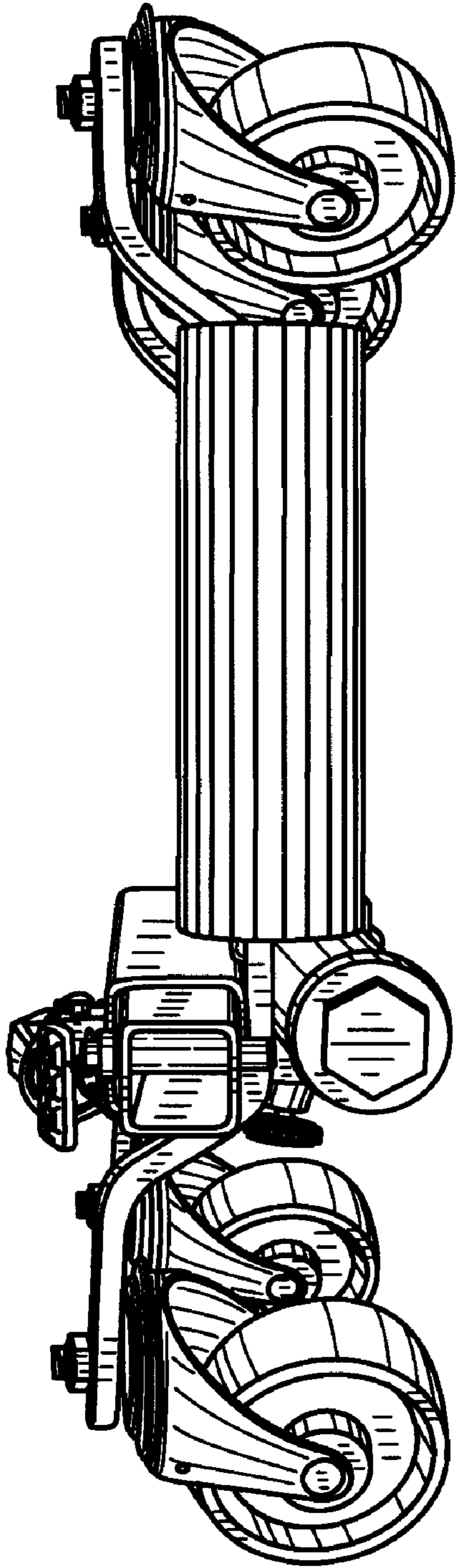
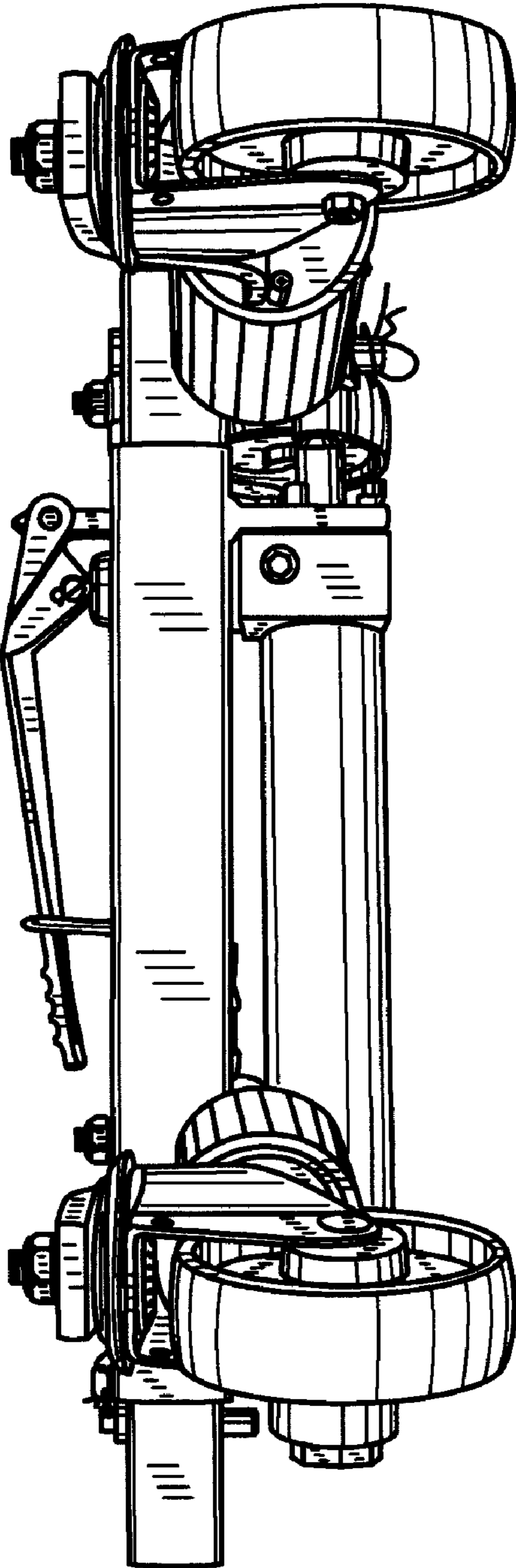


FIG. 2



**FIG. 3**



**FIG. 4**

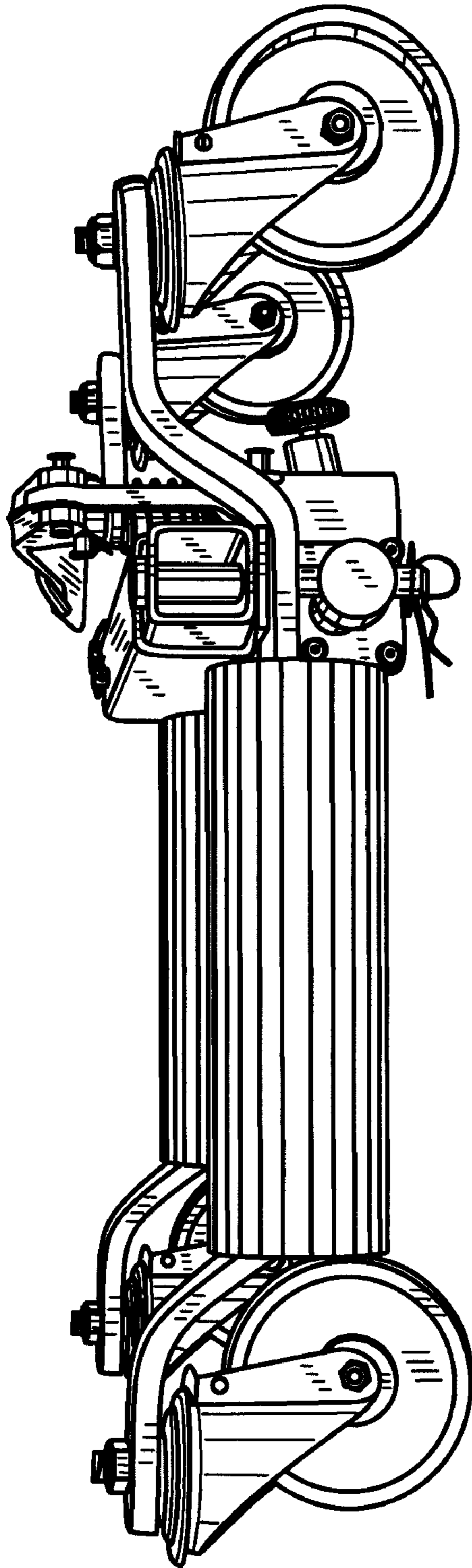


FIG. 5

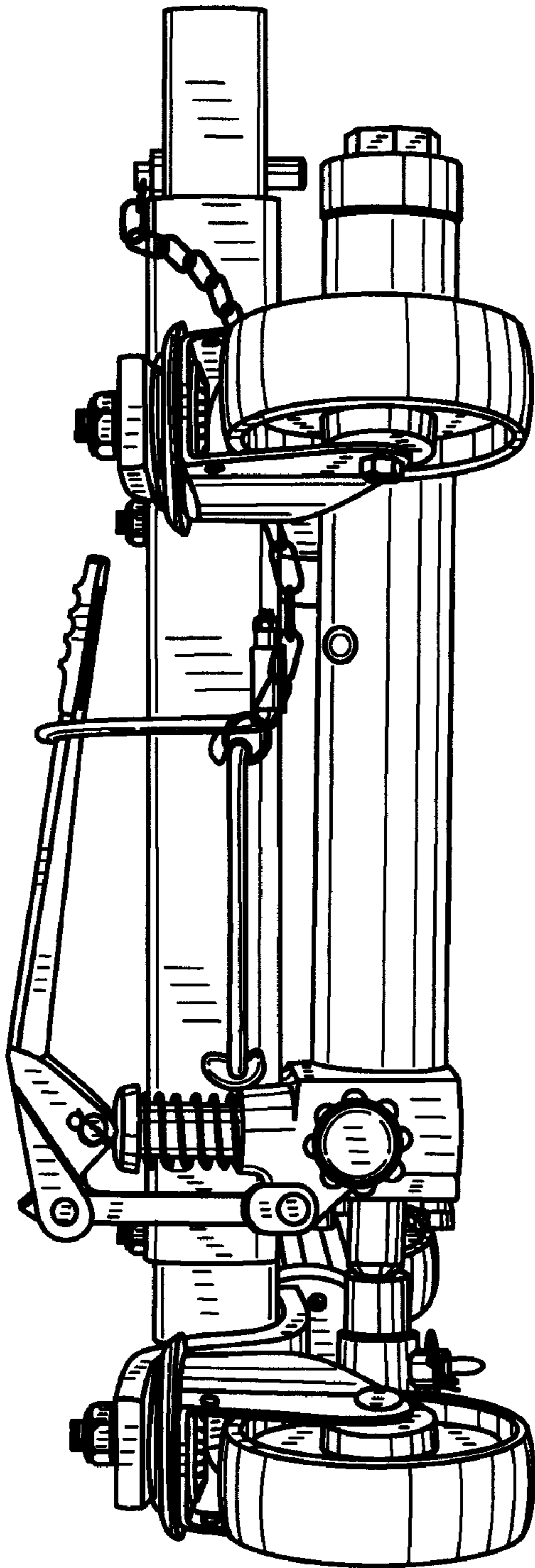


FIG. 6

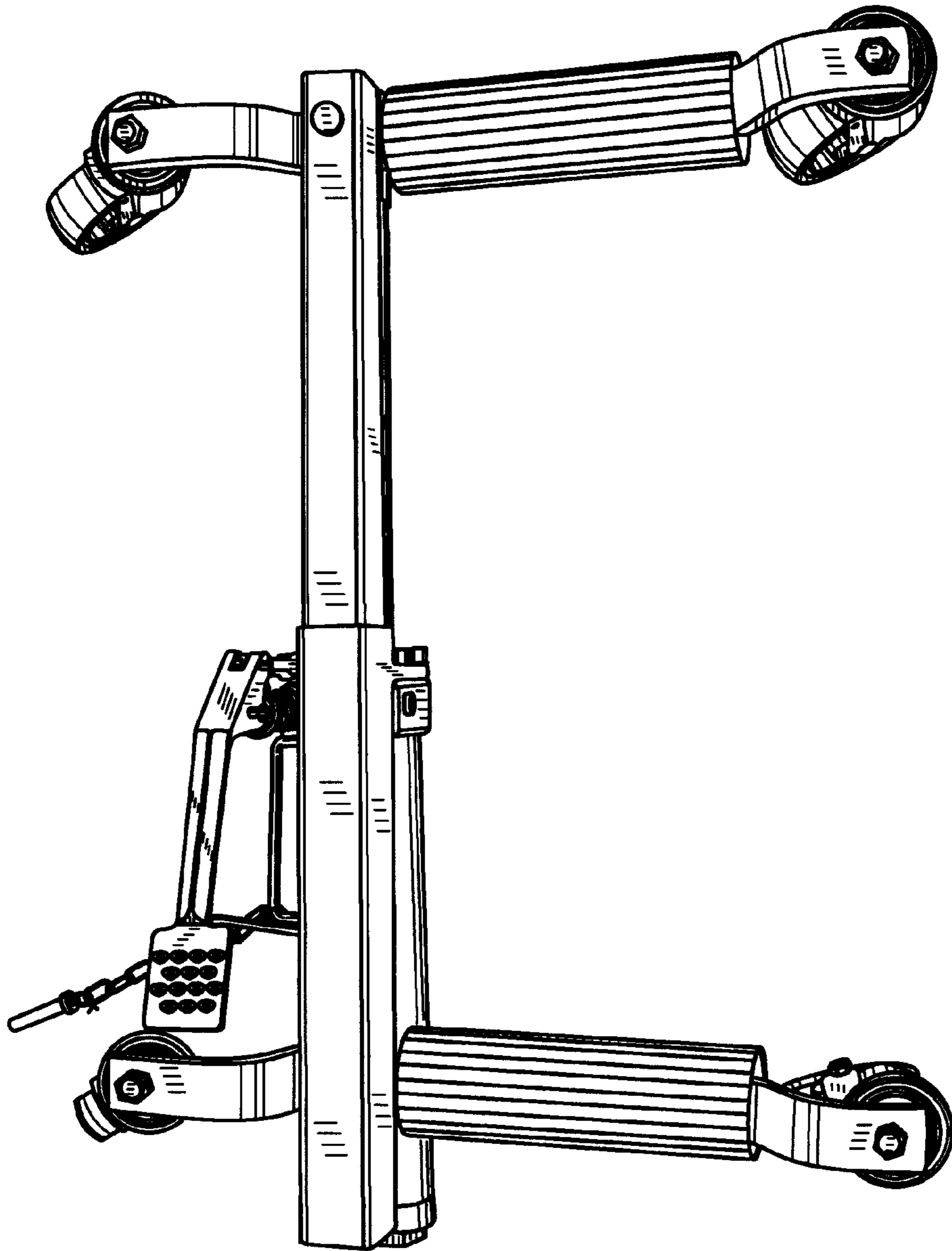


FIG. 7



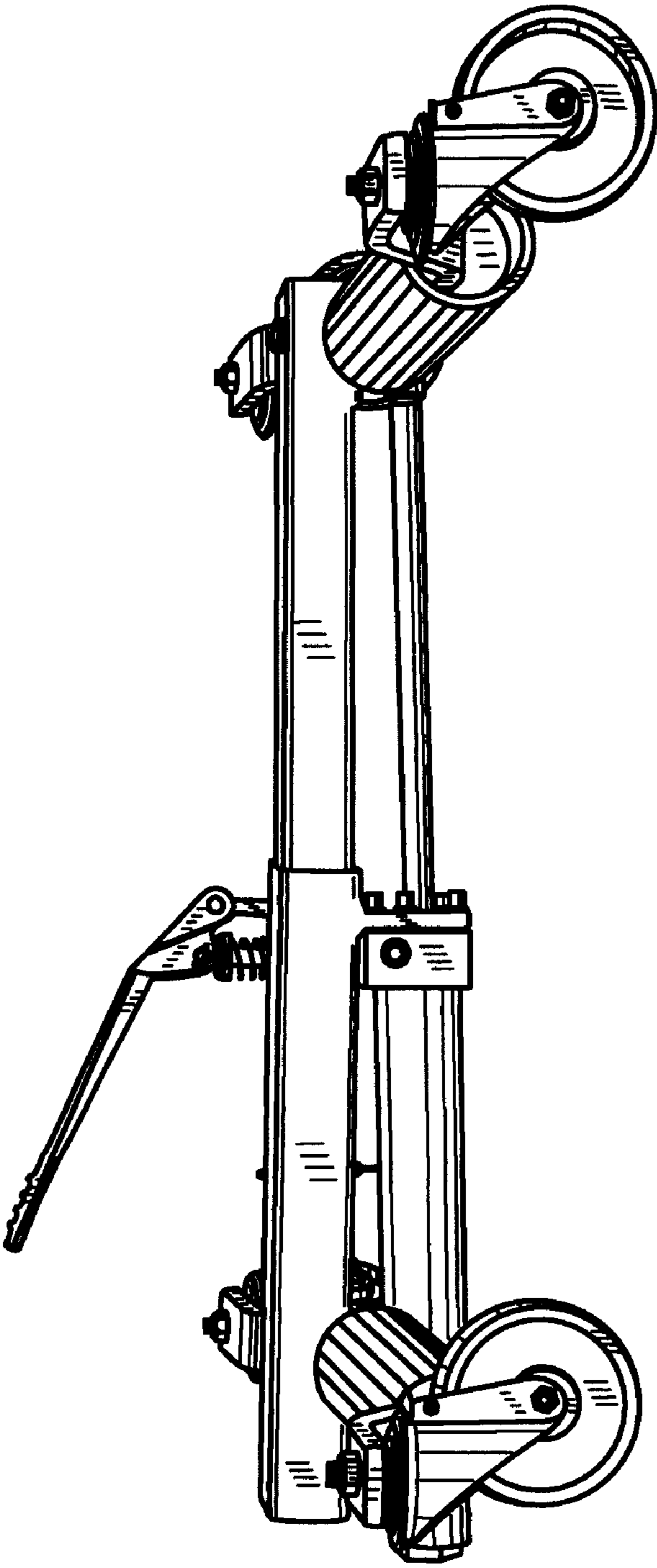


FIG. 8

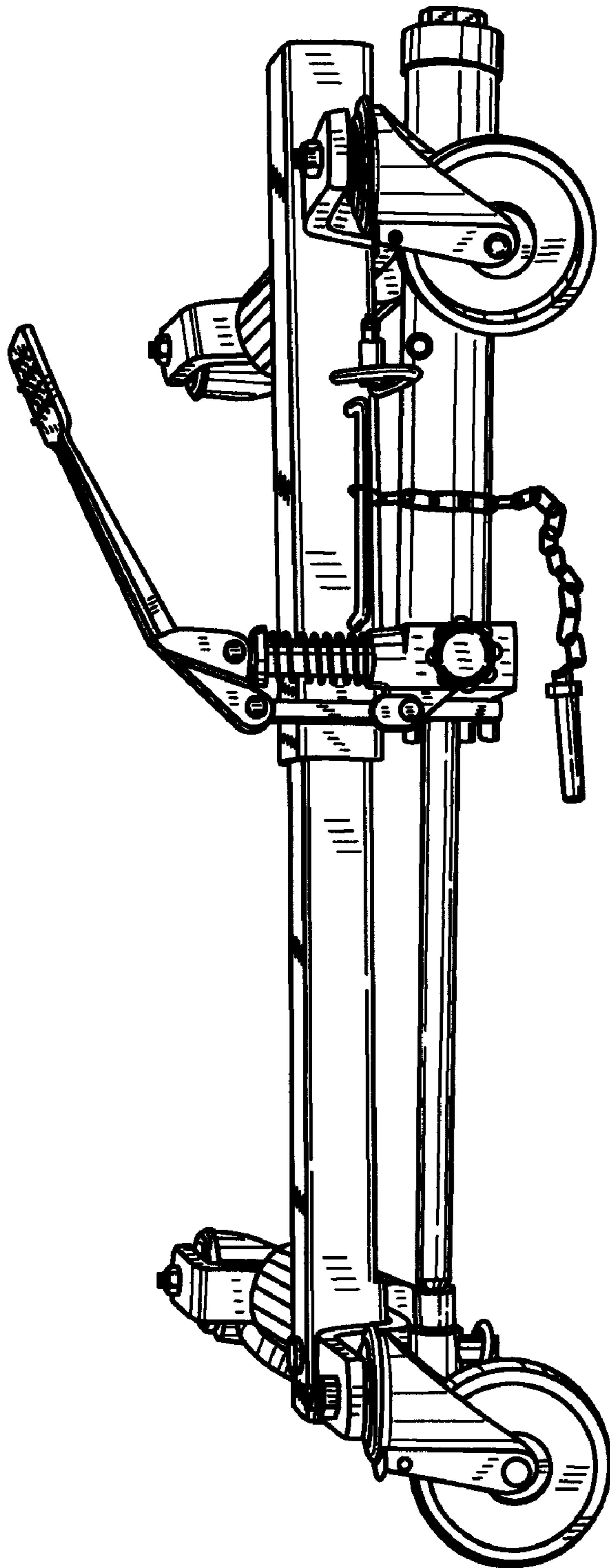


FIG. 9