



US00D532564S

(12) **United States Design Patent**
Neumann et al.

(10) **Patent No.:** **US D532,564 S**

(45) **Date of Patent:** **** Nov. 21, 2006**

(54) **HOLDER FOR A SCRUBBER**

D519,283 S * 4/2006 Watson D4/199

(75) Inventors: **Peter M. Neumann**, Racine, WI (US);
Susan M. Clausen, Antioch, IL (US)

* cited by examiner

Primary Examiner—Louis S. Zarfaz
Assistant Examiner—Kathleen Sims

(73) Assignee: **S.C. Johnson & Son, Inc.**, Racine, WI (US)

(57) **CLAIM**

(**) Term: **14 Years**

The ornamental design for a holder for a scrubber, as shown and described.

(21) Appl. No.: **29/244,247**

DESCRIPTION

(22) Filed: **Dec. 7, 2005**

(51) **LOC (8) Cl.** **15-05**

(52) **U.S. Cl.** **D32/25**

(58) **Field of Classification Search** D4/116,
D4/121, 130, 137, 119, 139, 199; 15/209.1,
15/210.1, 244.1; D32/35, 40, 51, 52, 25
See application file for complete search history.

In a preferred embodiment the nature of this product is as a holder, useful for connecting a removable toilet bowl brush head to a brush wand.

FIG. 1 is a right, top, frontal perspective view of a holder embodying the new design;

FIG. 2 is a front elevational view thereof, the rear elevational view thereof being a mirror image of the front elevational view shown;

FIG. 3 is a left side elevational view thereof, the right side elevational view thereof being a mirror image thereof;

FIG. 4 is a top plan view thereof; and,

FIG. 5 is a bottom plan view thereof.

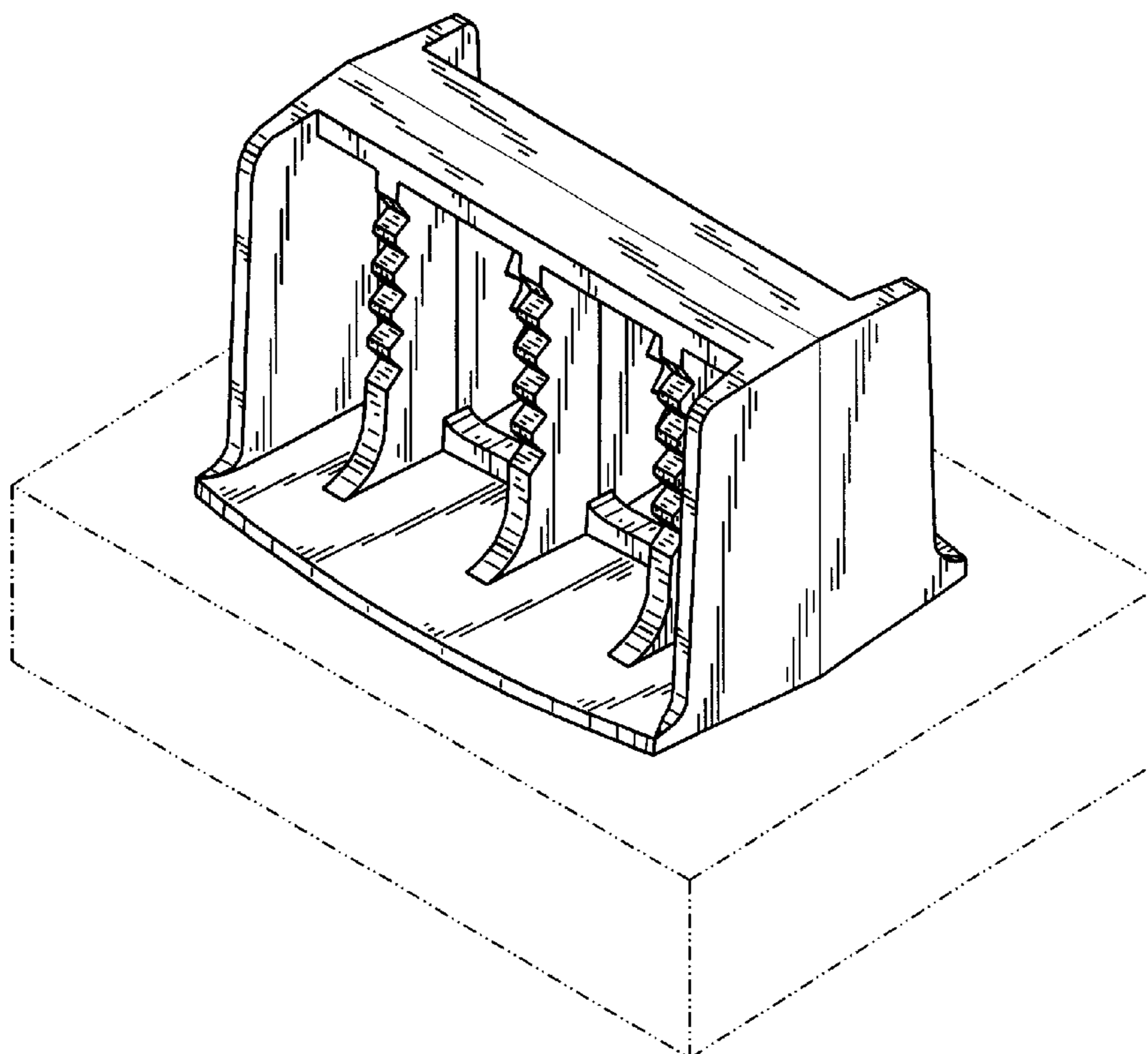
The broken line representations of an abrasive scrubber pad in the form of a toilet brush head in FIG. 1, and bottom surfaces in FIG. 5 of varied roughness and texture, are for purposes of illustration only and form no part of the claimed design.

(56) **References Cited**

U.S. PATENT DOCUMENTS

D228,339 S	*	9/1973	Zemke	D32/52
D236,071 S	*	7/1975	Zemke	D32/52
D247,342 S	*	2/1978	Silver	D32/52
D269,387 S	*	6/1983	McClelland	D32/52
D360,763 S	*	8/1995	Camp et al.	D4/138
5,593,460 A		1/1997	Lessard		
D418,682 S	*	1/2000	Crane	D4/129
6,088,871 A		7/2000	Kobayashi		
6,272,715 B1	*	8/2001	Polzin et al.	15/210.1

1 Claim, 3 Drawing Sheets



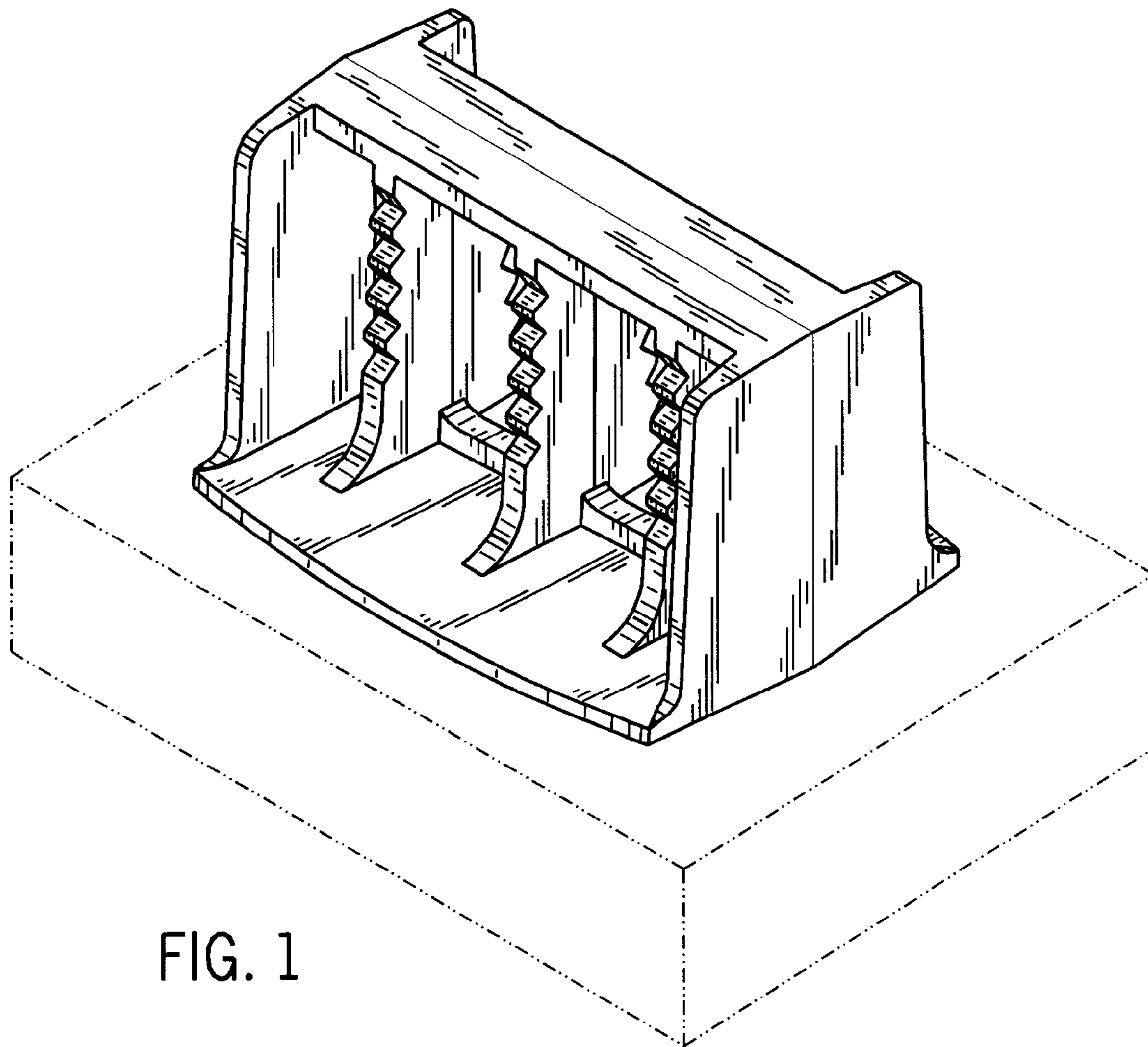


FIG. 1

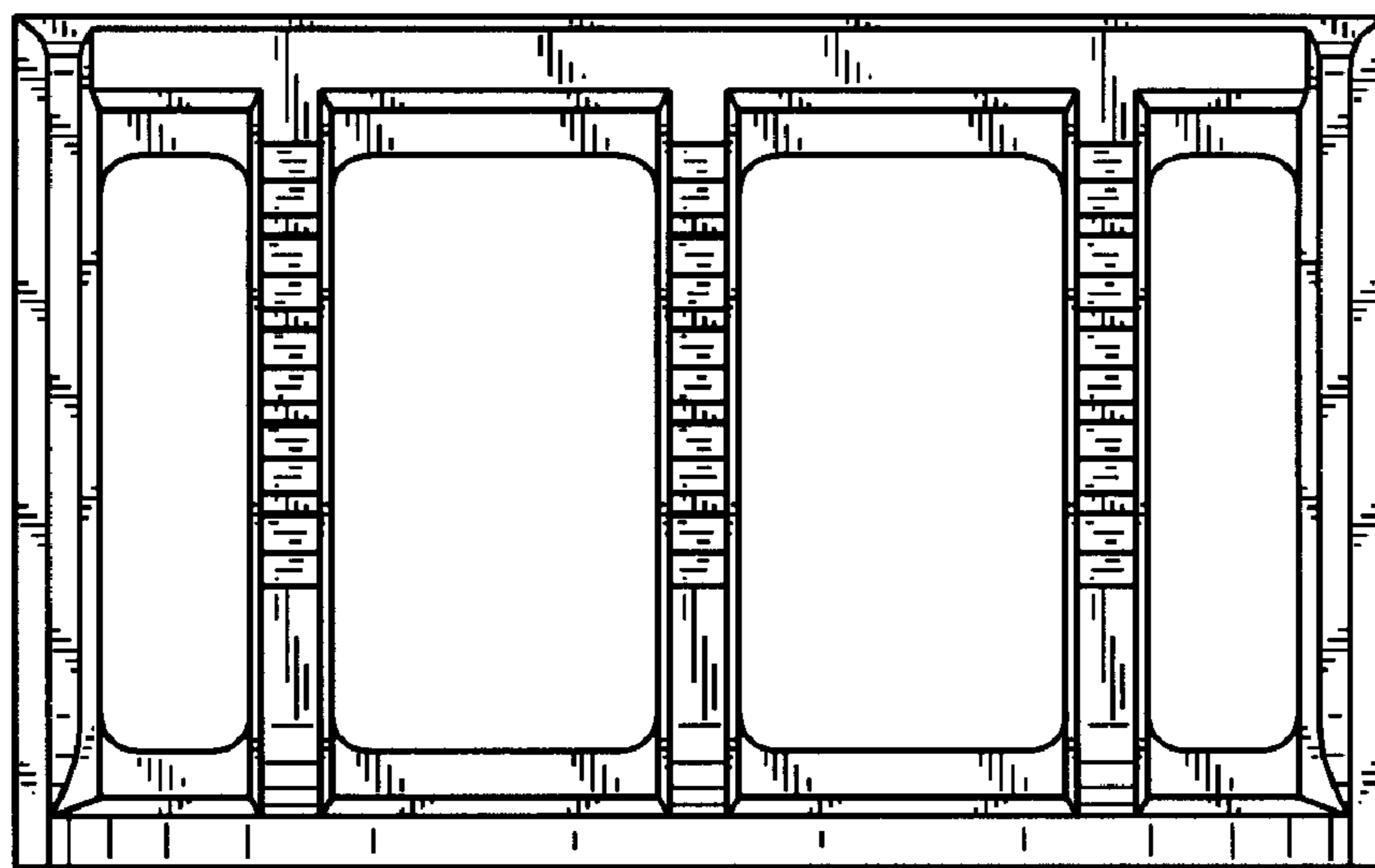


FIG. 2

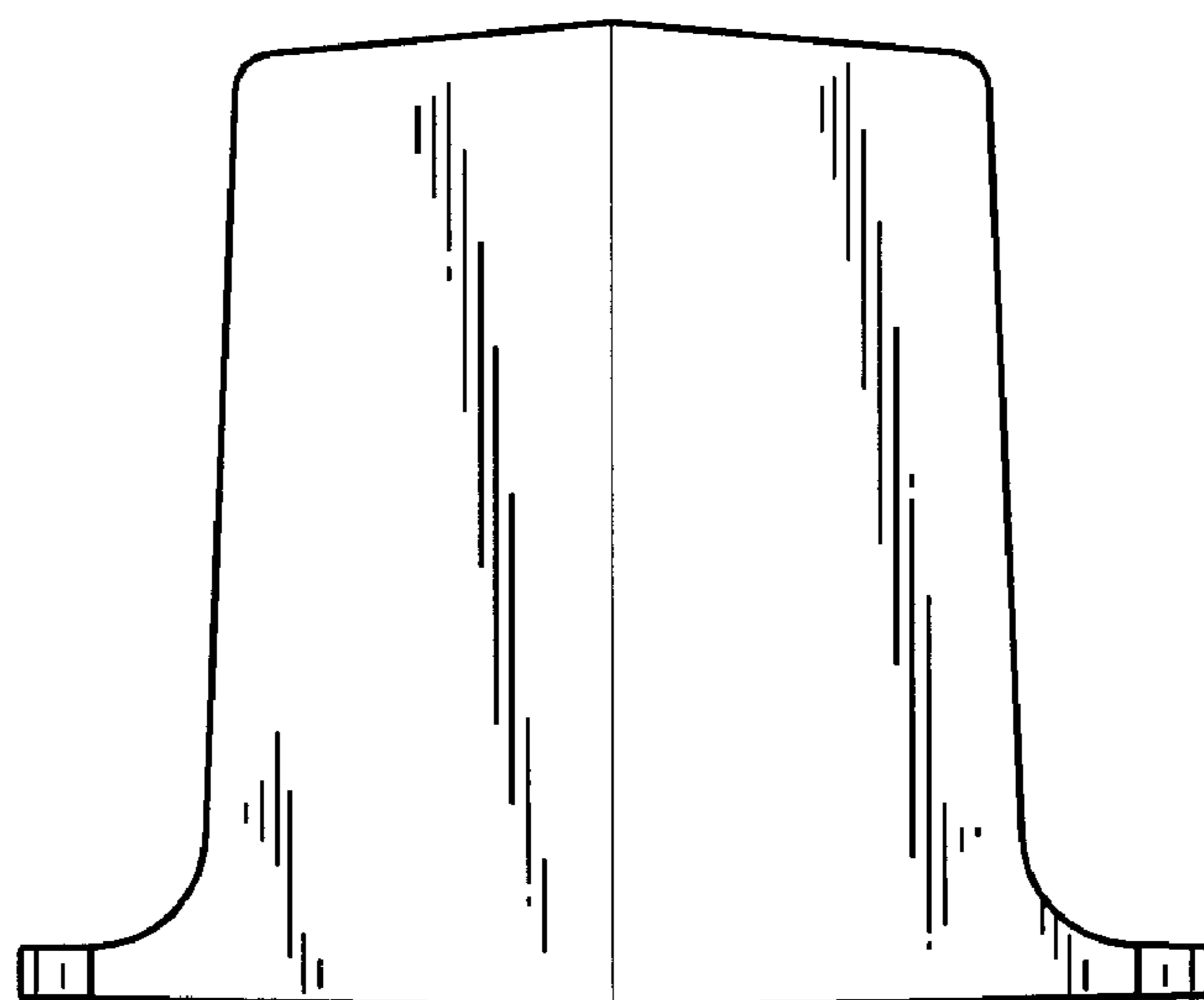


FIG. 3

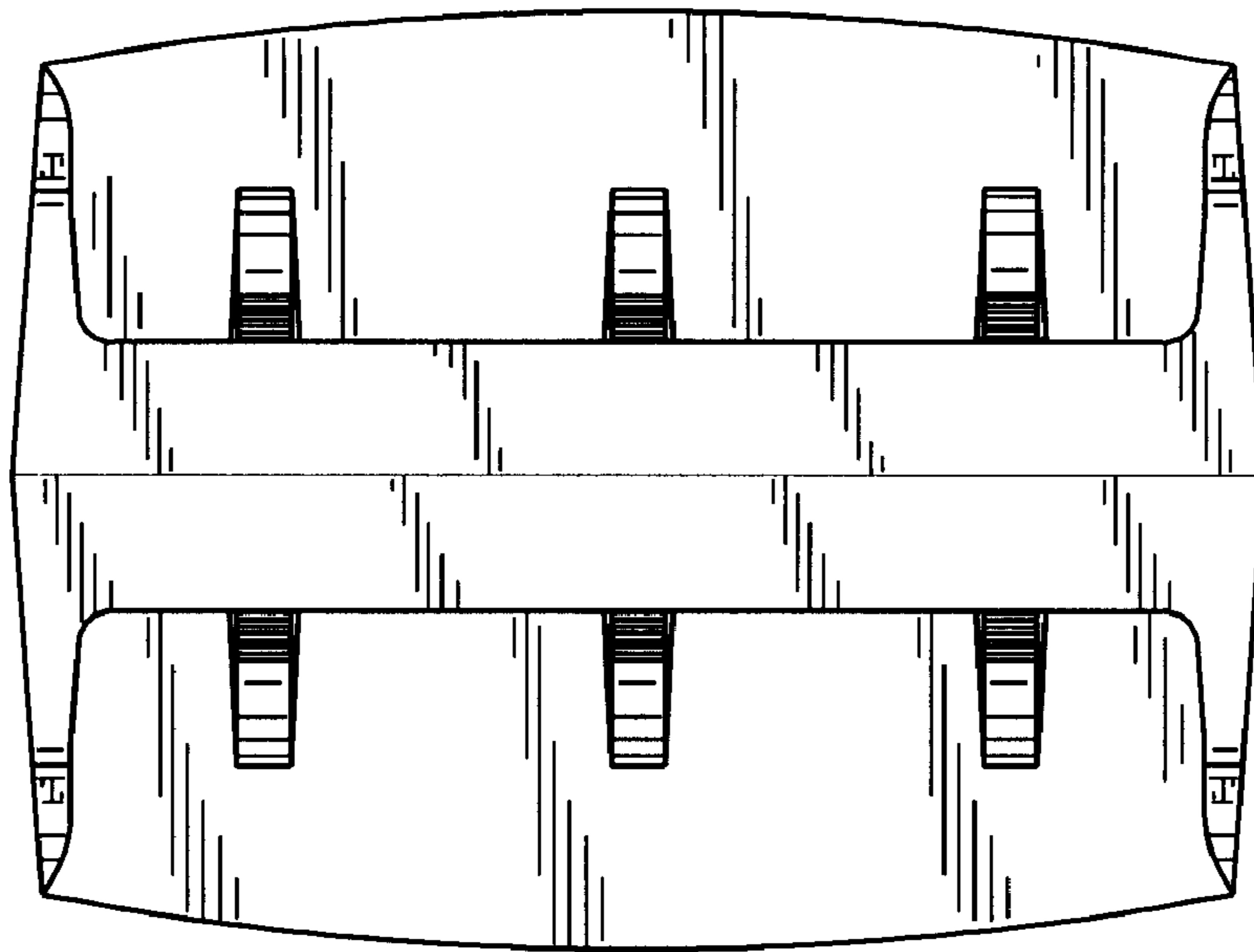


FIG. 4

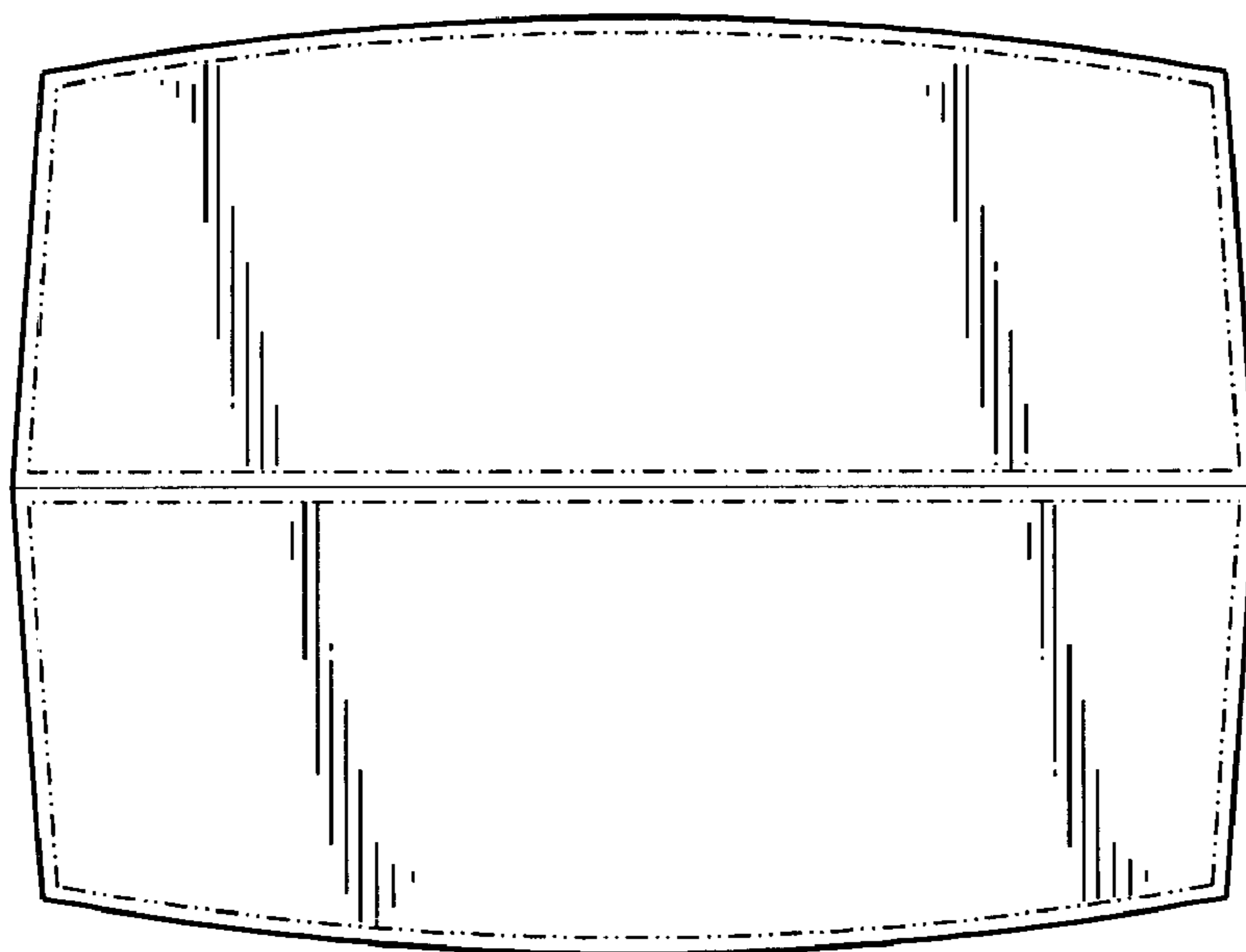


FIG. 5