



US00D532562S

(12) **United States Design Patent**
Ifejika

(10) **Patent No.:** **US D532,562 S**

(45) **Date of Patent:** **** Nov. 21, 2006**

(54) **CONTACT LENS CLEANER**

(76) Inventor: **Charles Philip Ifejika**, Basement Flat,
13A Warnick Road, Earls Court,
London SW5 9UL (GB)

(**) Term: **14 Years**

(21) Appl. No.: **29/236,115**

(22) Filed: **Aug. 11, 2005**

Related U.S. Application Data

(63) Continuation-in-part of application No. 29/198,477, filed on
Jan. 30, 2004, now abandoned.

(51) **LOC (8) Cl.** **15-05**

(52) **U.S. Cl.** **D32/1**

(58) **Field of Classification Search** D32/1,
D32/25, 35; D24/217-218; 134/184, 188,
134/117, 118, 140, 158, 901; 366/127; 15/1,
15/1.51, 1.52; D6/432, 440, 441, 443, 448
See application file for complete search history.

(56) **References Cited**

U.S. PATENT DOCUMENTS

- 4,637,919 A 1/1987 Ryder et al.
- 4,852,591 A * 8/1989 Wisotzki et al. 134/57 R
- 4,852,594 A * 8/1989 Chen 134/140
- 4,973,827 A 11/1990 Nozaki

- D321,564 S * 11/1991 Miller D24/217
- D326,328 S * 5/1992 Chen D24/218
- D328,134 S * 7/1992 Yang D24/218
- 5,250,266 A 10/1993 Kanner
- D341,615 S 11/1993 Ifejika
- D354,070 S 1/1995 Chen
- D410,091 S * 5/1999 Rehmeier et al. D24/218
- 6,000,534 A 12/1999 Koomruian, Jr.
- 2005/0028848 A1 * 2/2005 Lai 134/184

* cited by examiner

Primary Examiner—Louis S. Zarfes

Assistant Examiner—Kathleen Sims

(74) *Attorney, Agent, or Firm*—Camoriano and Associates;
Theresa Fritz Camoriano

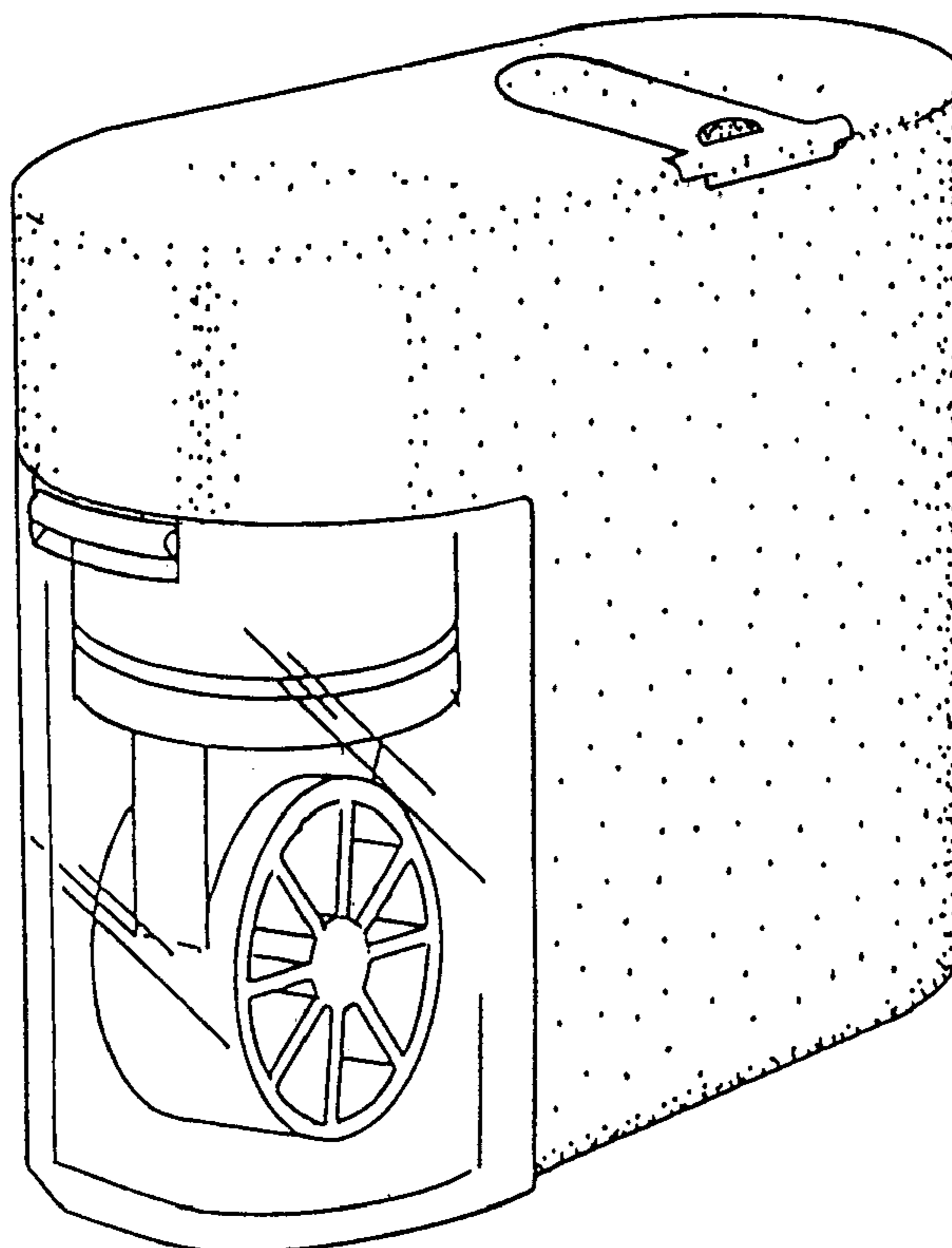
(57) **CLAIM**

The ornamental design for a contact lens cleaner, as shown
and described.

DESCRIPTION

FIG. 1 is a front perspective view of a contact lens cleaner
made in accordance with my design;
FIG. 2 is a right side view thereof;
FIG. 3 is a left side view thereof;
FIG. 4 is a top view thereof;
FIG. 5 is a bottom view thereof;
FIG. 6 is a front view thereof; and,
FIG. 7 is a rear view thereof.

1 Claim, 3 Drawing Sheets



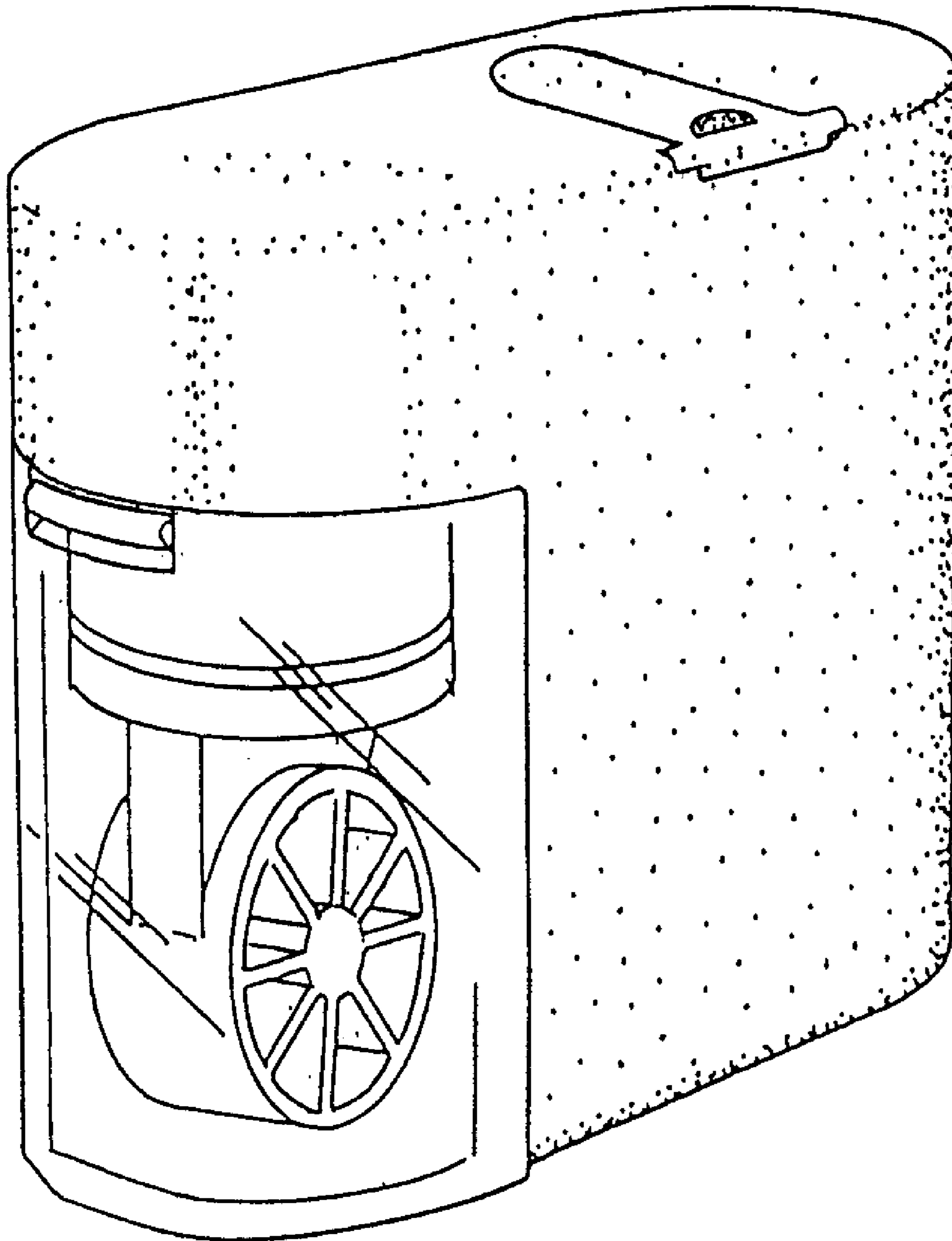


FIG. 1

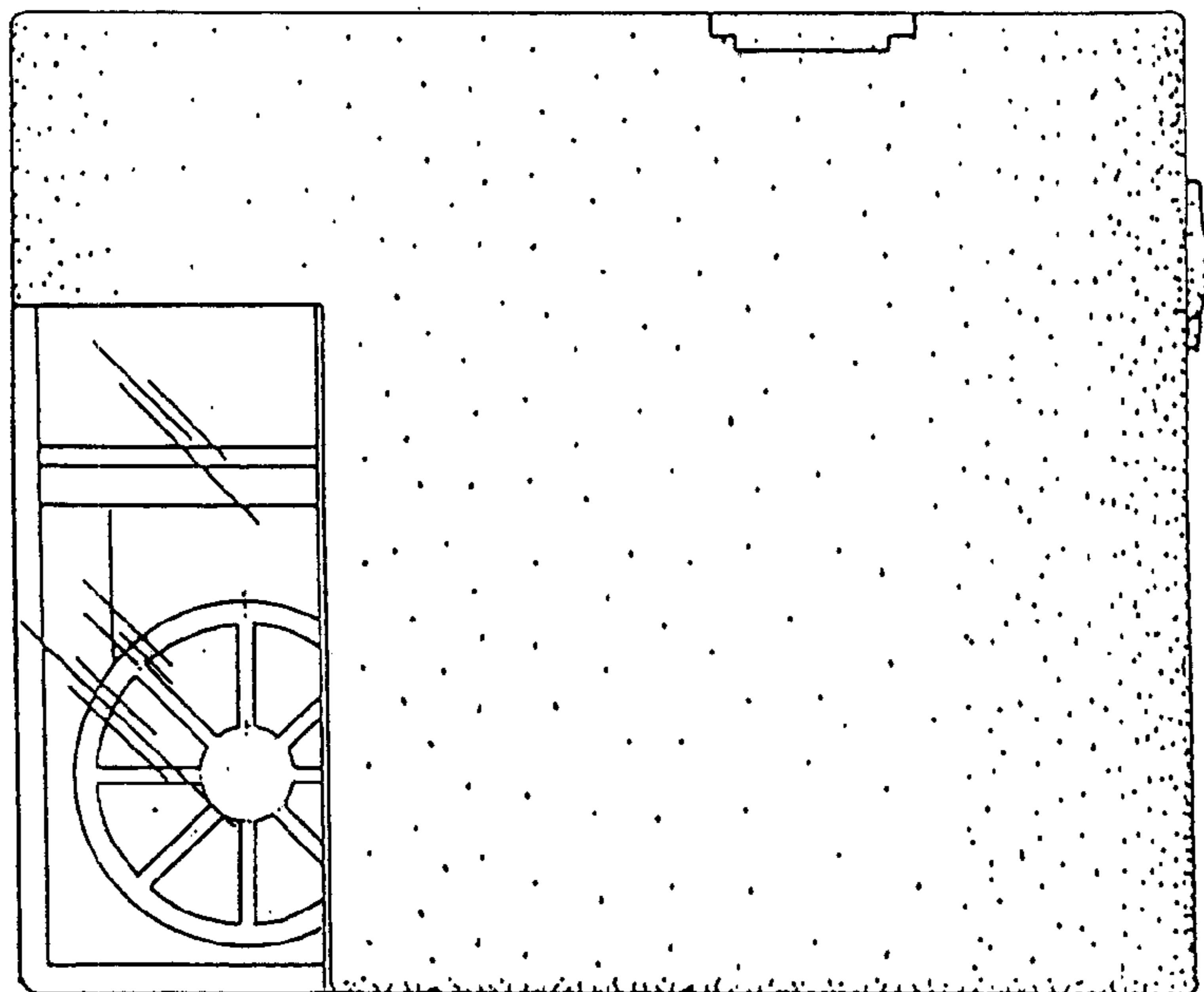


FIG. 2

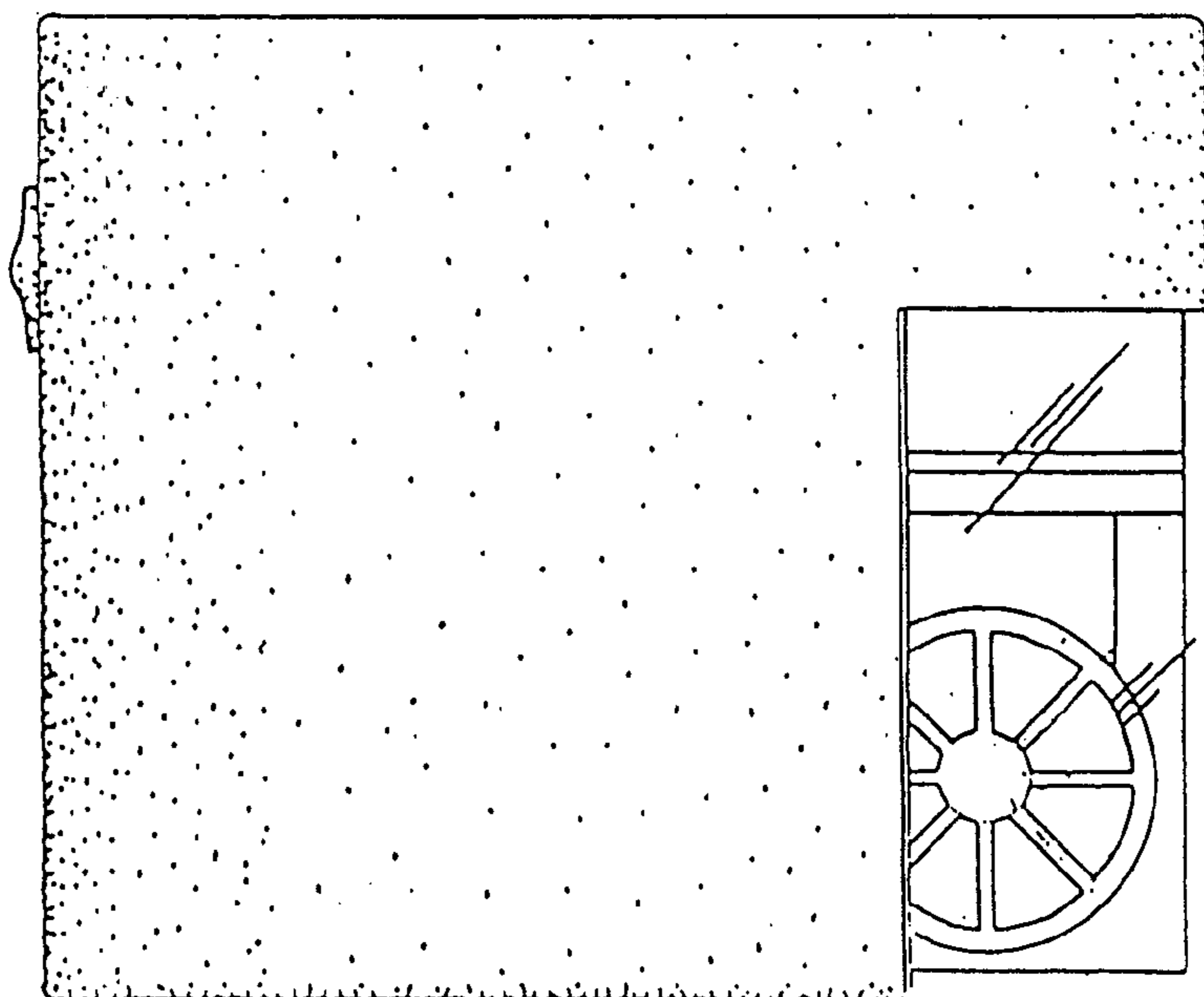


FIG. 3

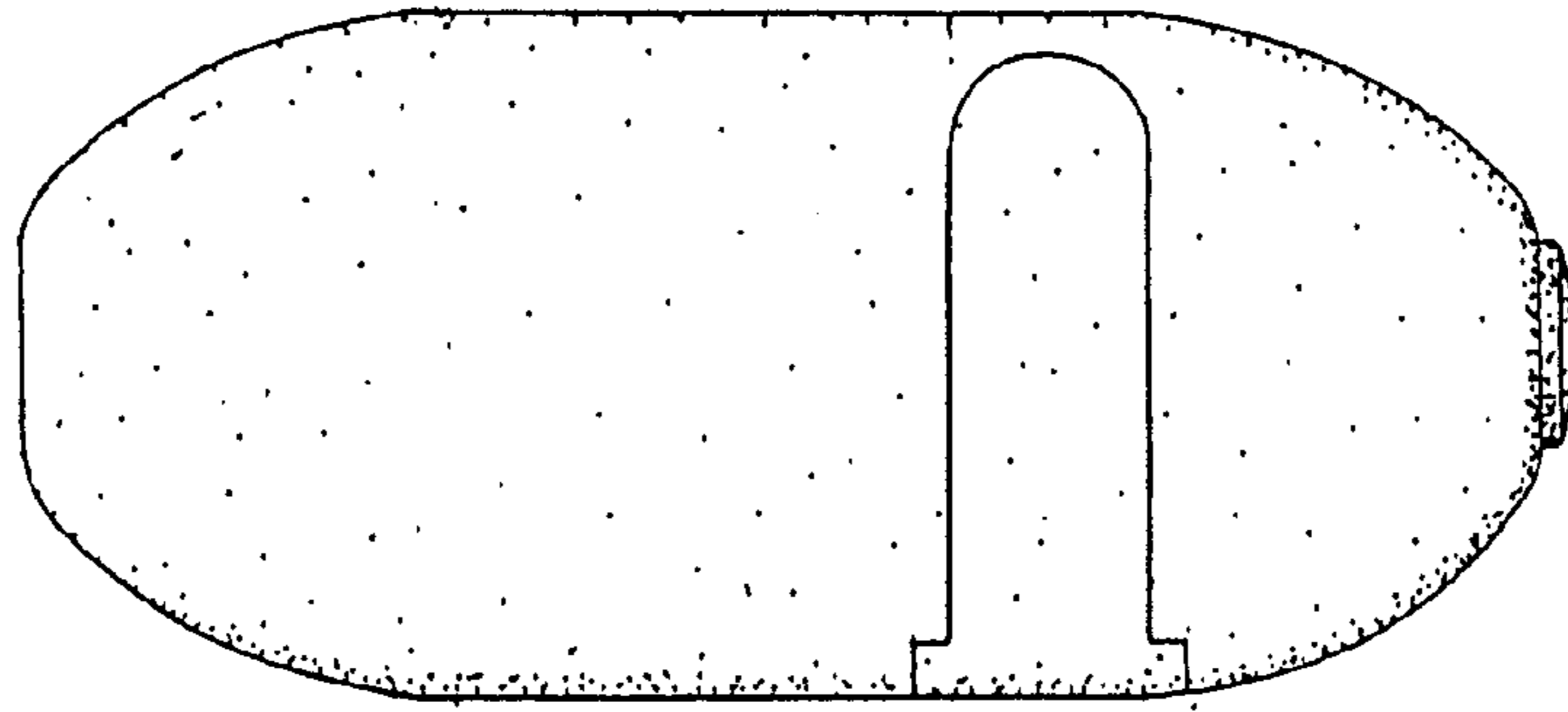


FIG. 4

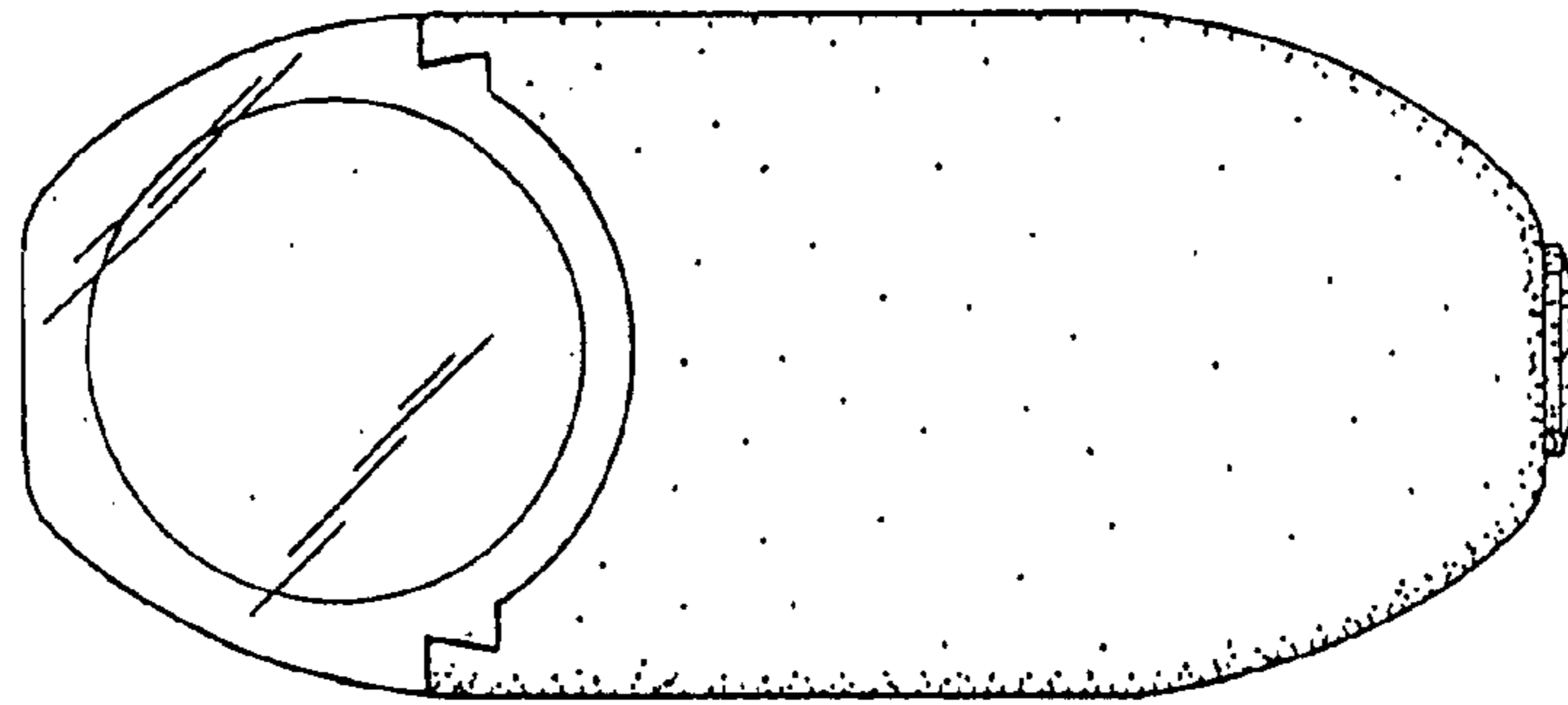


FIG. 5

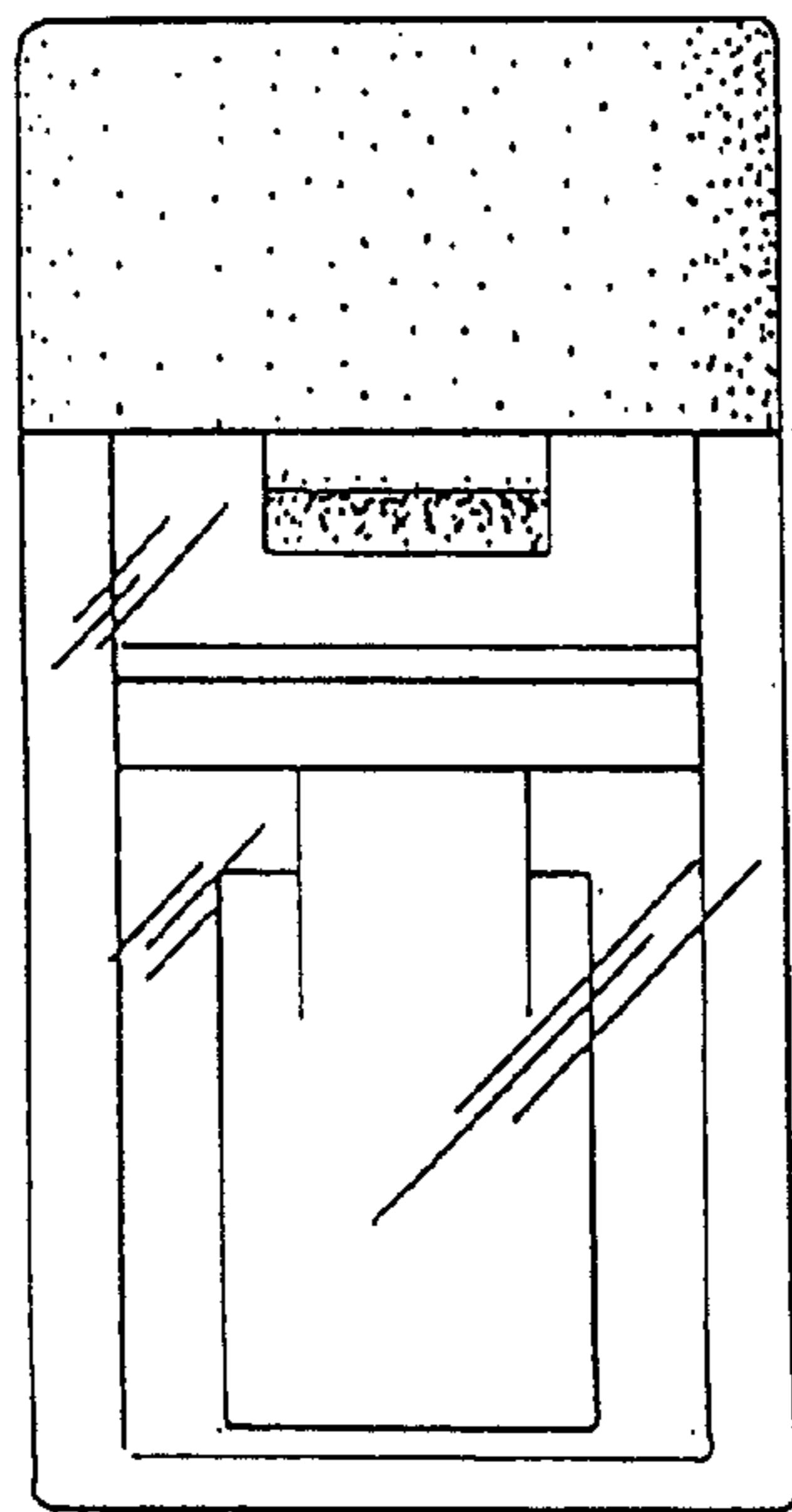


FIG. 6

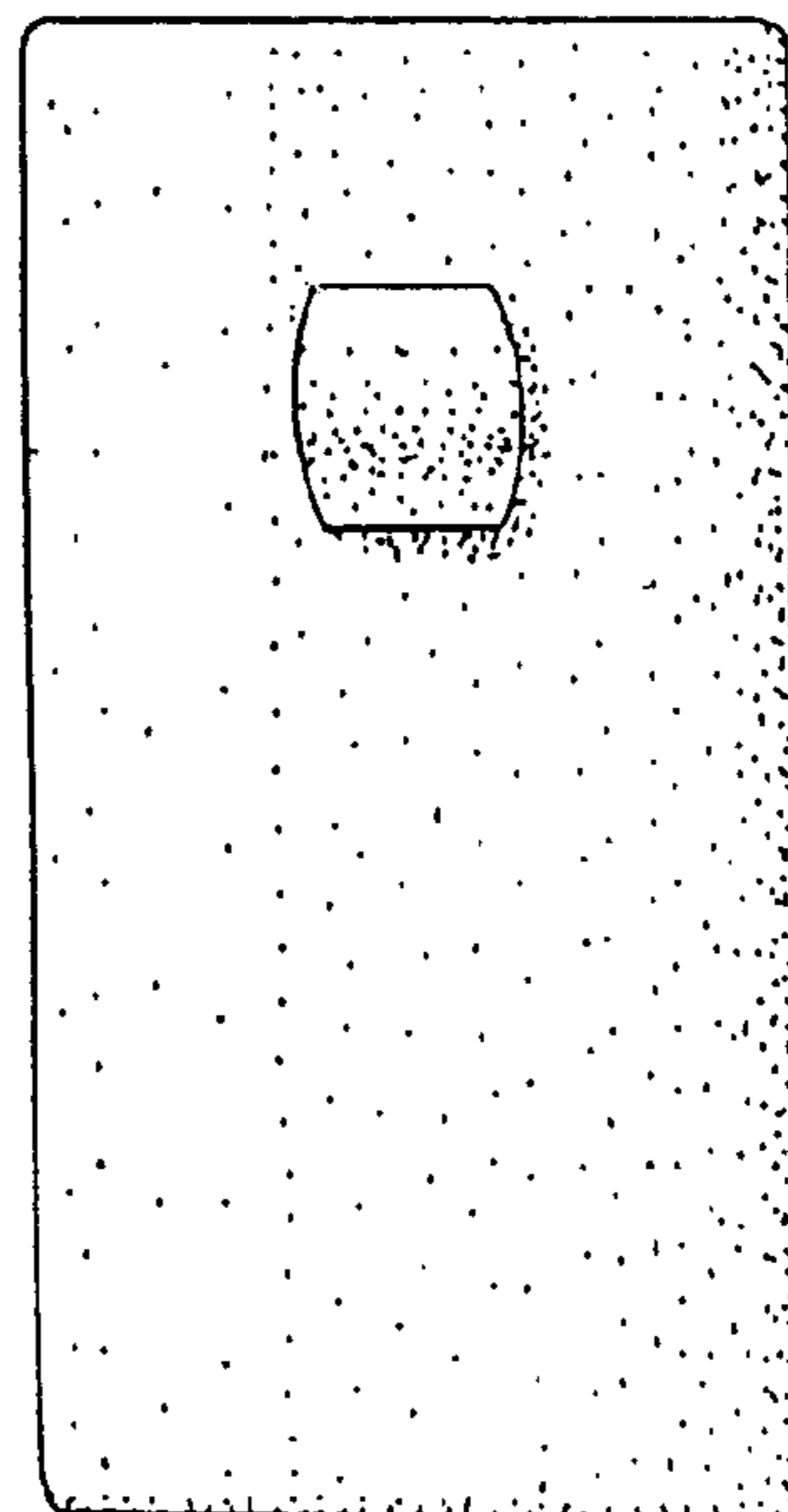


FIG. 7