



US00D532558S

(12) **United States Design Patent**  
**Jackel-Marken**

(10) **Patent No.:** **US D532,558 S**

(45) **Date of Patent:** **\*\* Nov. 21, 2006**

(54) **COSMETIC CONTAINER**

(75) Inventor: **Ingrid Jackel-Marken**, Pasadena, CA (US)

(73) Assignee: **Physicians Formula Cosmetics, Inc.**, Azusa, CA (US)

(\*\*) Term: **14 Years**

(21) Appl. No.: **29/254,087**

(22) Filed: **Feb. 15, 2006**

(51) **LOC (8) Cl.** ..... **28-03**

(52) **U.S. Cl.** ..... **D28/76**

(58) **Field of Classification Search** ..... D28/76-83,  
D28/85, 88-89, 59; 401/128, 129; 206/581,  
206/823; 132/218, 317, 318, 293-307, 313,  
132/316; D9/503-505, 529

See application file for complete search history.

(56) **References Cited**

**U.S. PATENT DOCUMENTS**

- D92,235 S \* 5/1934 D'Andria ..... D28/77
- D100,680 S \* 8/1936 Anderson ..... D28/77
- D227,714 S \* 7/1973 Ishii ..... D28/59
- D229,119 S \* 11/1973 Litton ..... D28/76

D314,445 S \* 2/1991 Addis ..... D28/76

\* cited by examiner

*Primary Examiner*—Jennifer Rivard

(74) *Attorney, Agent, or Firm*—Michael E. Dergosits; Dergosits & Noah LLP

(57) **CLAIM**

The ornamental design for a cosmetic container, as shown and described.

**DESCRIPTION**

FIG. 1 is a perspective view of a cosmetic container showing my new design;

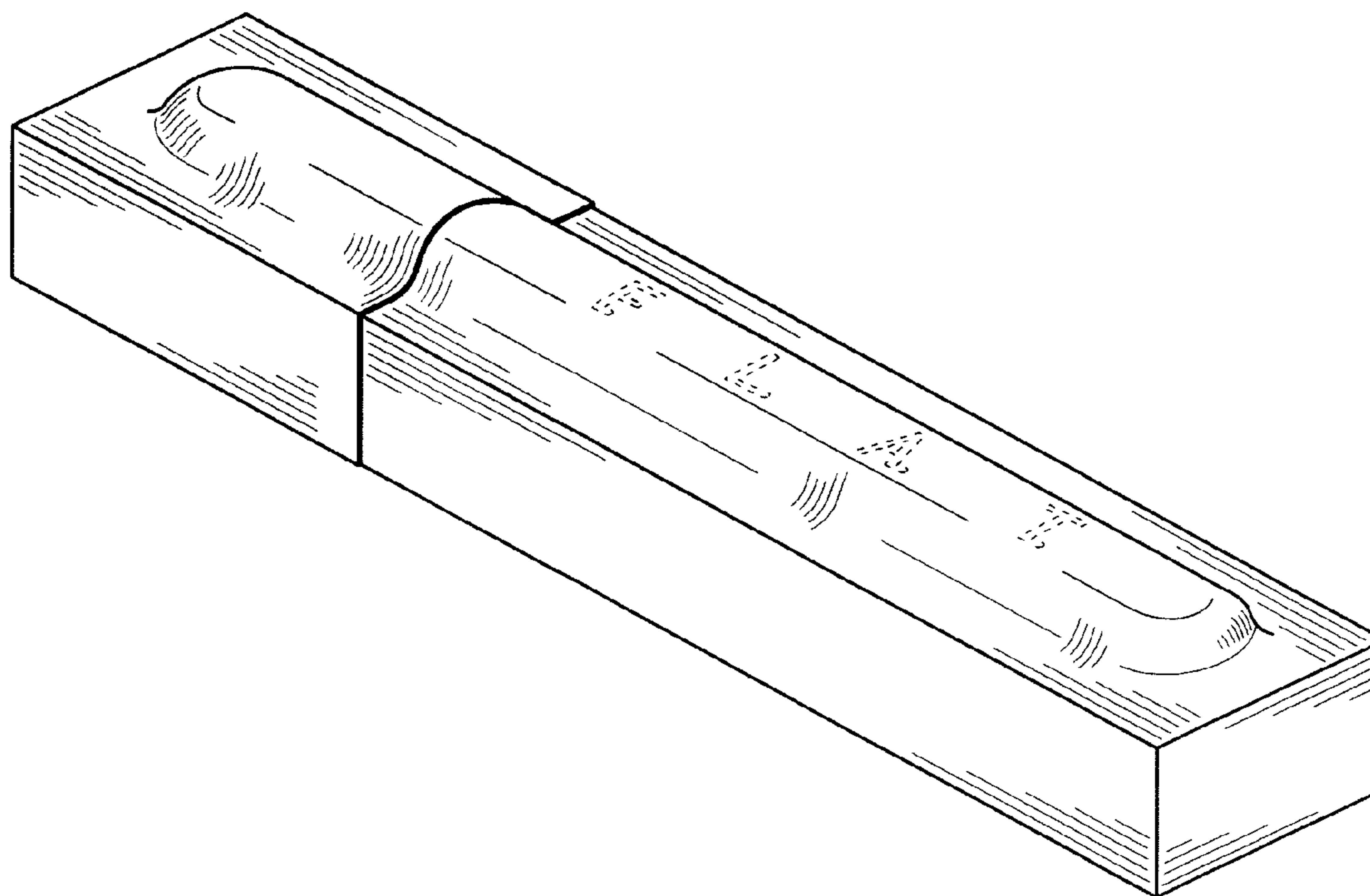
FIG. 2 is a top plan view of the cosmetic container of FIG. 1;

FIG. 3 is a side view of the cosmetic container of FIG. 1; FIG. 4 is a bottom view of the cosmetic container of FIG. 1; and,

FIG. 5 is an end view of the cosmetic container of FIG. 1. Only one side view and one end view are provided, since the corresponding side and end views are mirror images.

The markings, e.g., "F.L.A.T." shown in broken lines in FIGS. 1 and 2, are for illustrative purposes and forms no part of the claimed design.

**1 Claim, 3 Drawing Sheets**



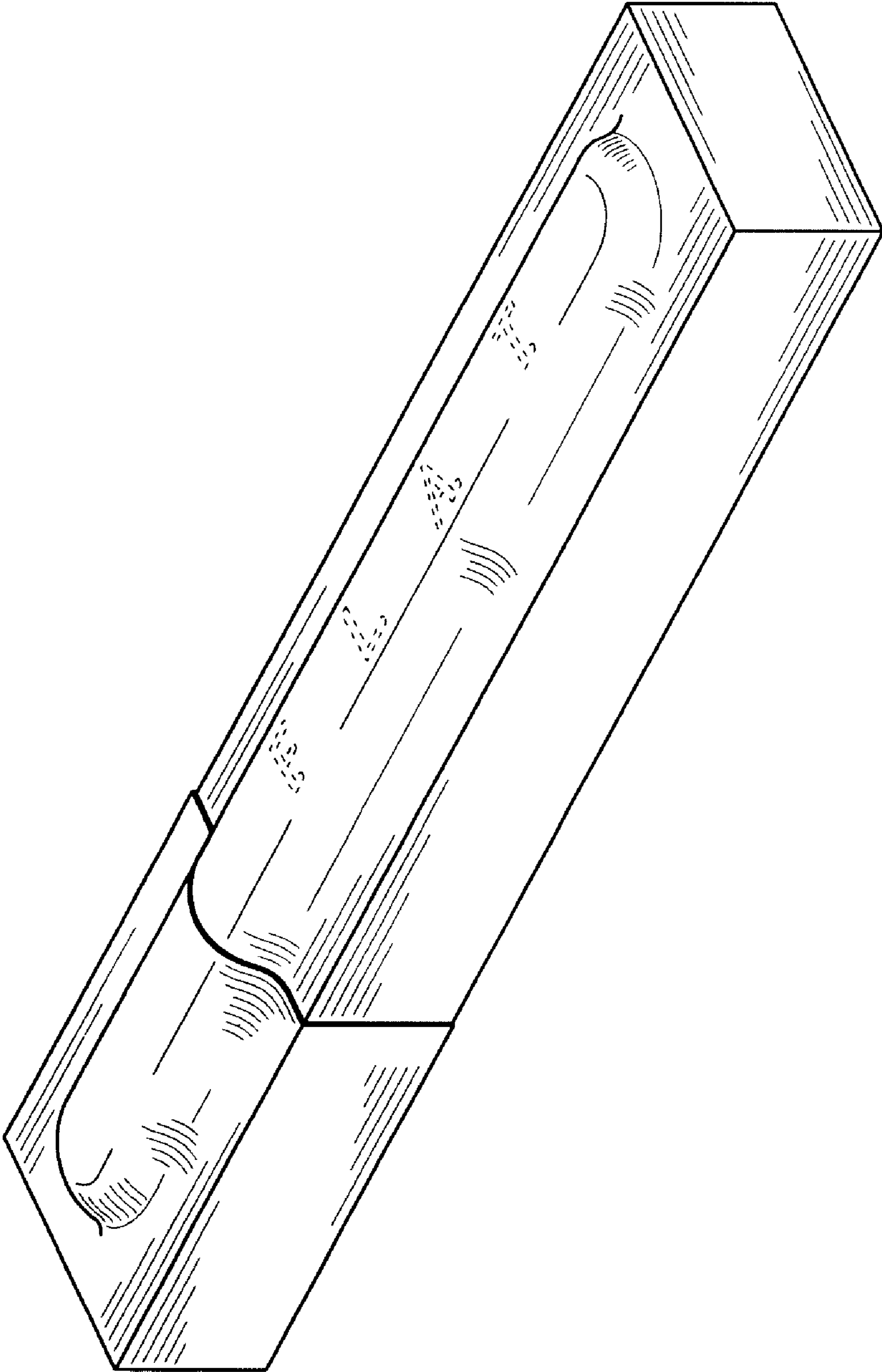


FIG. 1

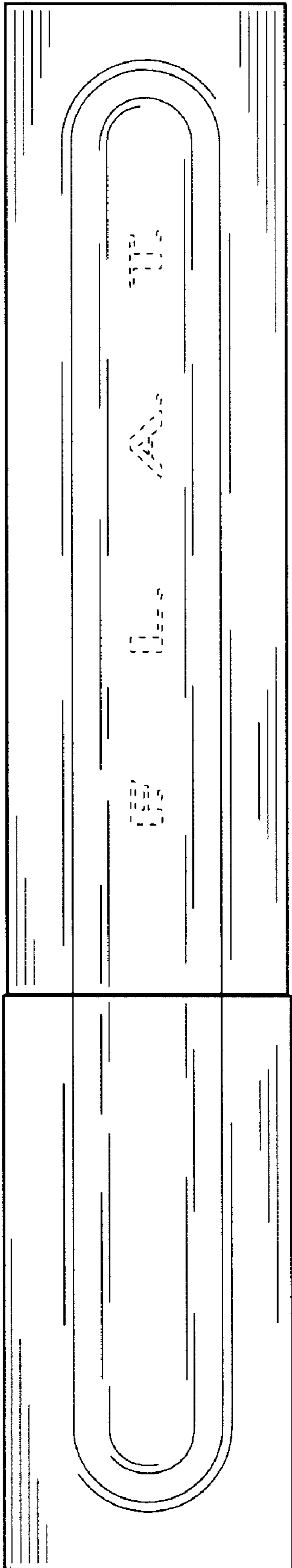


FIG. 2

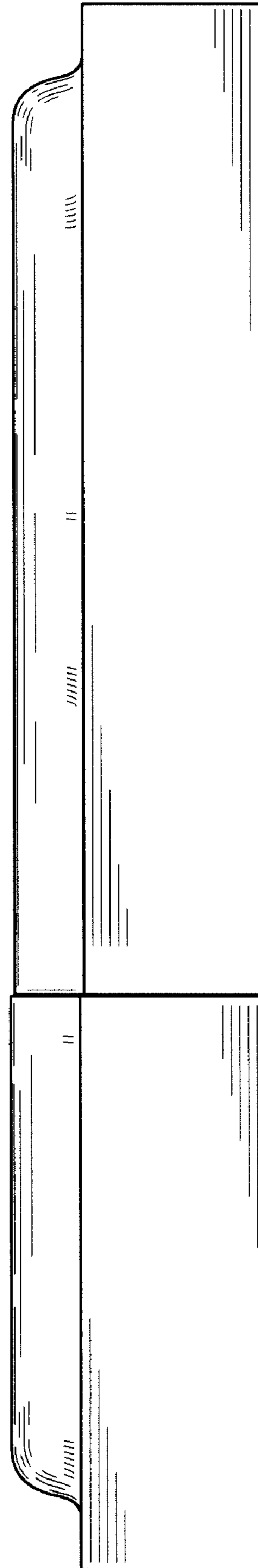


FIG. 3

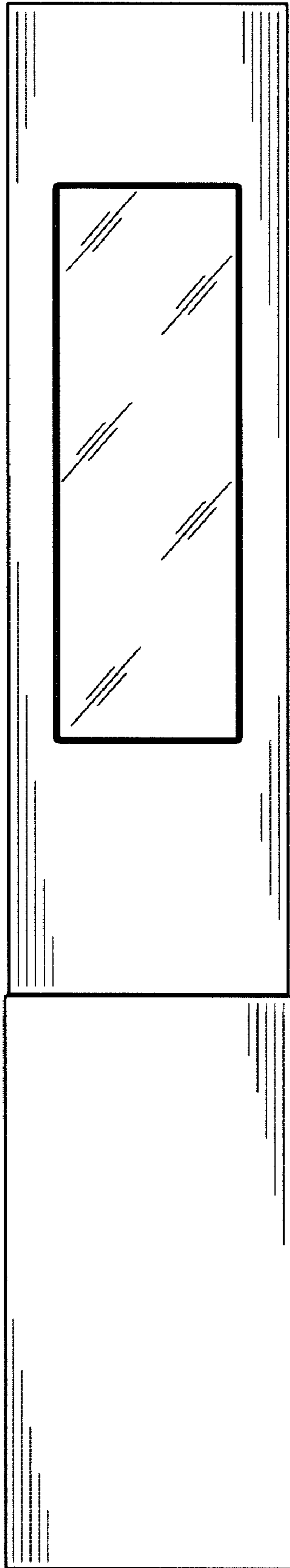


FIG. 4

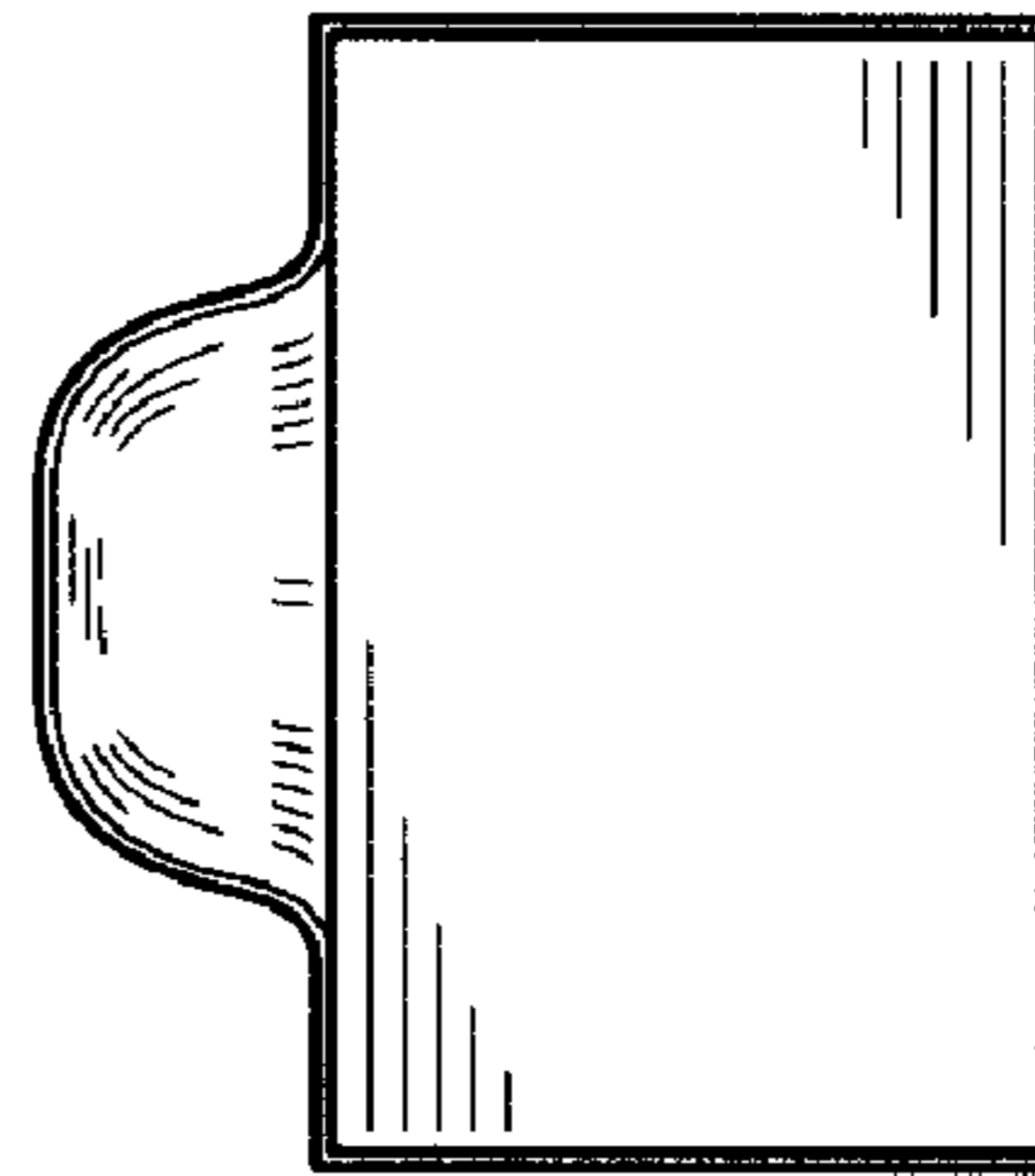


FIG. 5