

US00D532548S

(12) **United States Design Patent**  
**Dye**

(10) **Patent No.:** **US D532,548 S**

(45) **Date of Patent:** **\*\* Nov. 21, 2006**

(54) **CEILING FIXTURE SUPPORT ARMS**

D417,523 S \* 12/1999 Kluck ..... D26/144  
D421,663 S \* 3/2000 Von Kluck ..... D26/144  
D436,685 S \* 1/2001 Riccardo ..... D26/145

(75) Inventor: **David L. Dye**, Grapevine, TX (US)

\* cited by examiner

(73) Assignee: **Craftmade International, Inc.**,  
Coppell, TX (US)

*Primary Examiner*—Clare E Heflin

(\*\*) Term: **14 Years**

(74) *Attorney, Agent, or Firm*—Haynes and Boone, LLP

(21) Appl. No.: **29/221,101**

(57) **CLAIM**

(22) Filed: **Jan. 11, 2005**

The ornamental design for the ceiling fixture support arms,  
as shown and described.

(51) **LOC (8) Cl.** ..... **26-99**

**DESCRIPTION**

(52) **U.S. Cl.** ..... **D26/155; D26/90**

(58) **Field of Classification Search** ..... D26/81-92,  
D26/138, 155, 143-145; 362/147, 404-408,  
362/432

FIG. 1 is a perspective view of the ceiling fixture support  
arms showing my new design;

FIG. 2 is a front elevational view thereof, the rear elevational  
view being the same;

See application file for complete search history.

FIG. 3 is a right side elevational view thereof, the left side  
elevational view being the same;

(56) **References Cited**

**U.S. PATENT DOCUMENTS**

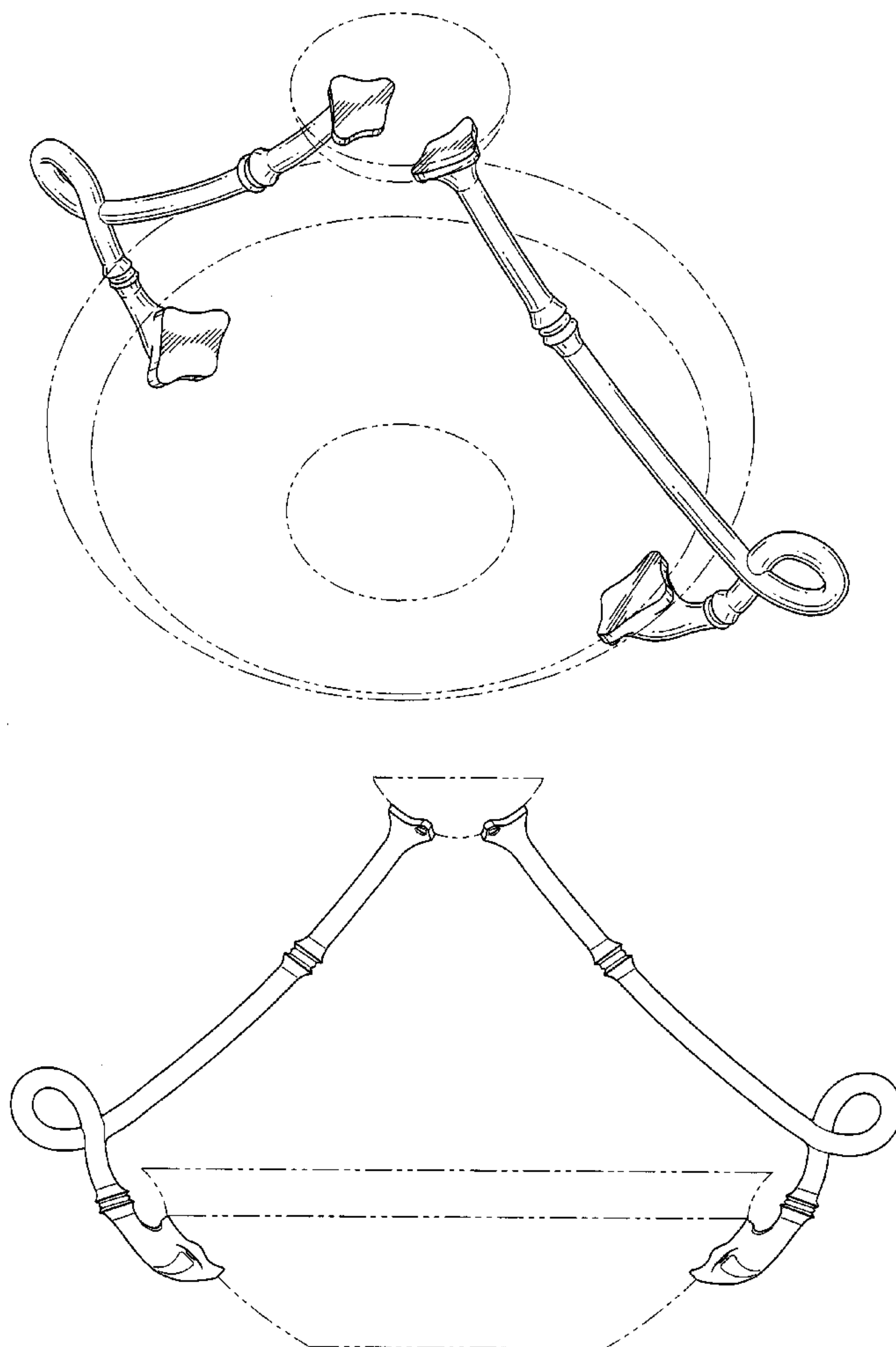
D374,101 S \* 9/1996 Benghozi ..... D26/81  
D404,843 S \* 1/1999 Porter ..... D26/81  
D409,786 S \* 5/1999 Palacios ..... D26/81

FIG. 4 is a top plan view thereof; and,

FIG. 5 is a bottom plan view thereof.

Any broken line illustration of environmental structure in  
the drawings is not part of the design sought to be patented.

**1 Claim, 3 Drawing Sheets**



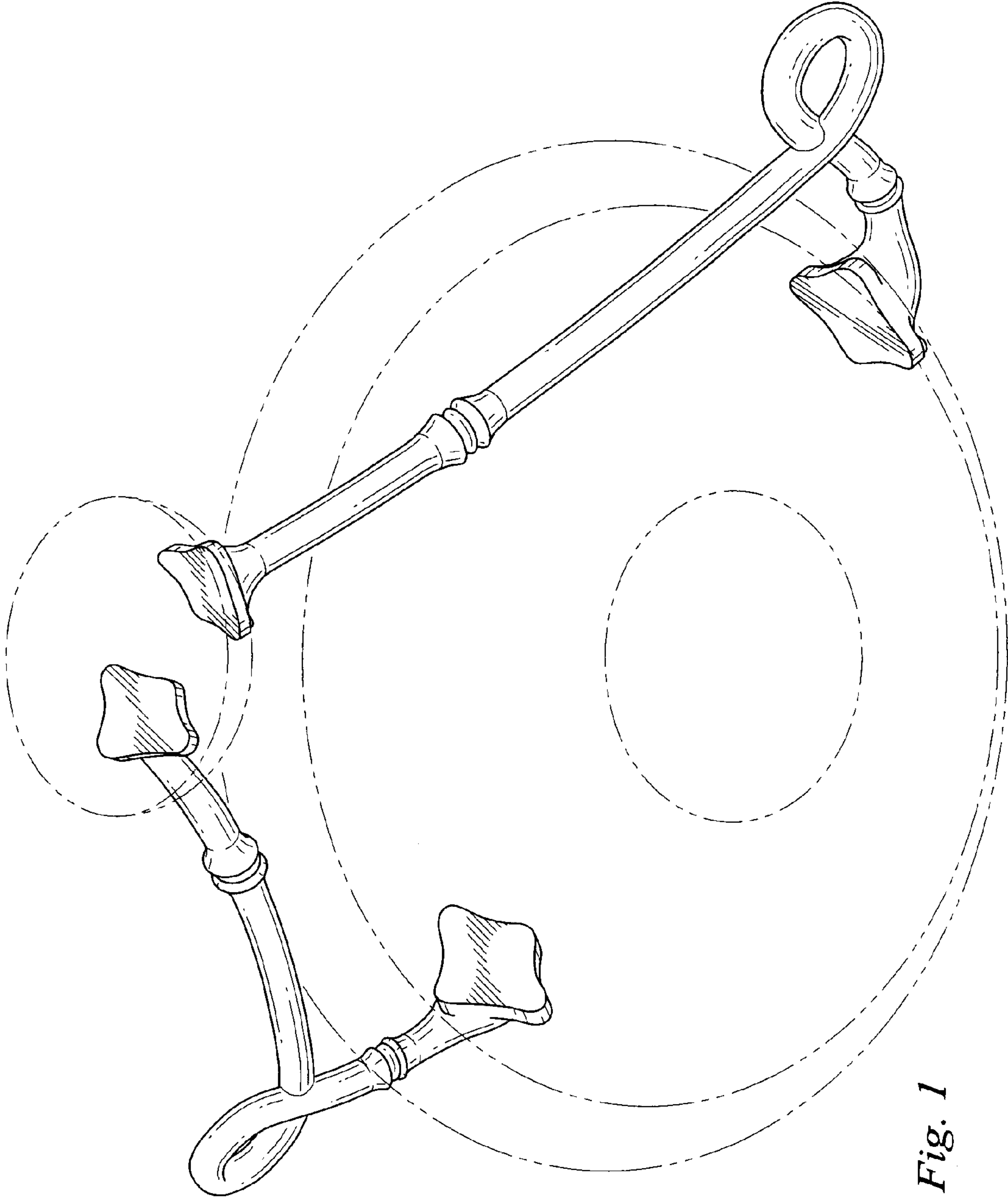


Fig. 1

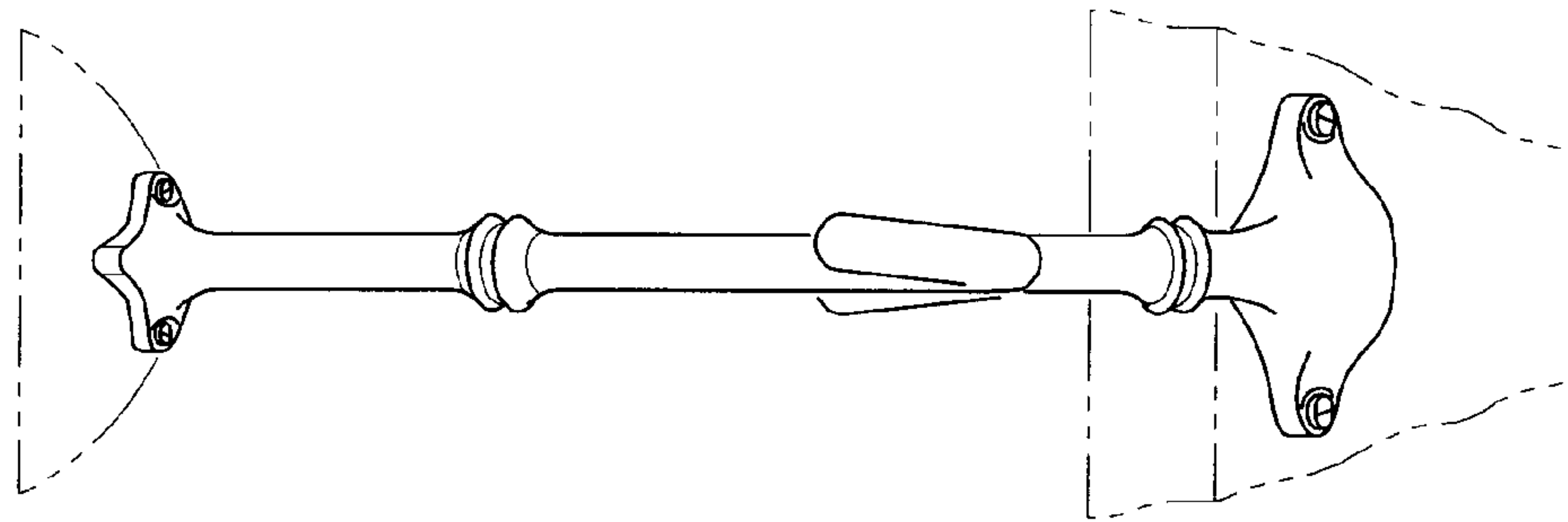


Fig. 3

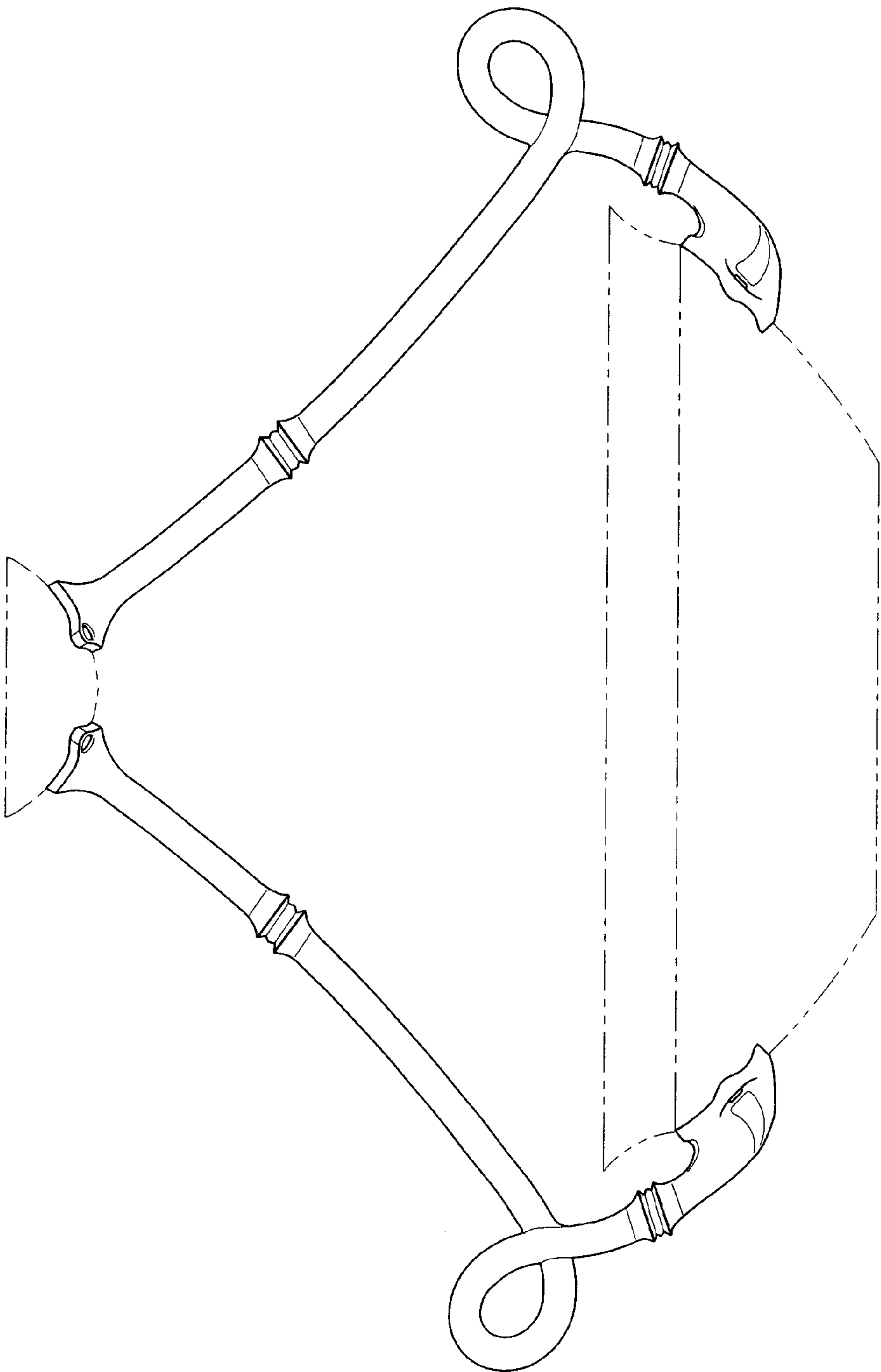
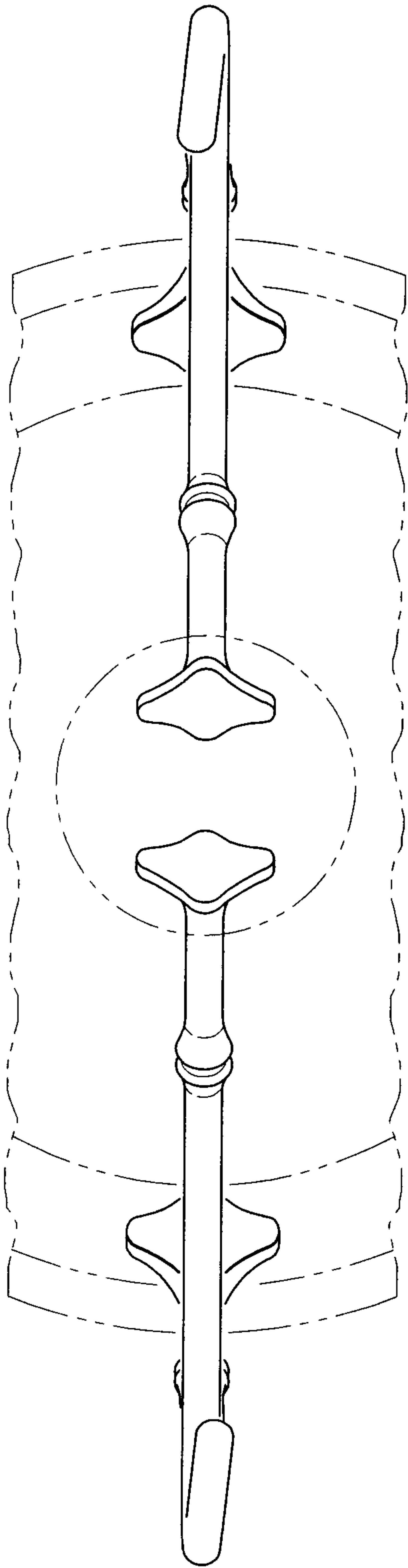
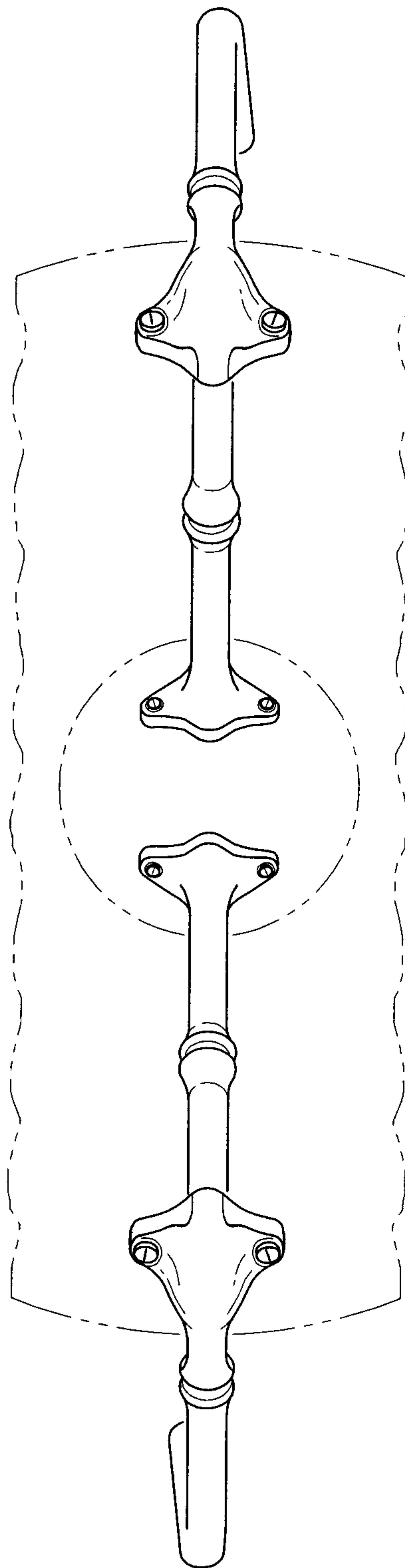


Fig. 2



*Fig. 4*



*Fig. 5*