



US00D532545S

(12) **United States Design Patent**
Miranda

(10) **Patent No.:** **US D532,545 S**

(45) **Date of Patent:** **** Nov. 21, 2006**

(54) **LIGHTING FIXTURE**

(76) **Inventor:** **Pasquale Miranda**, 63- 2nd St., Garden City, NY (US) 11530

(**) **Term:** **14 Years**

(21) **Appl. No.:** **29/240,719**

(22) **Filed:** **Oct. 19, 2005**

(51) **LOC (8) Cl.** **26-99**

(52) **U.S. Cl.** **D26/142**

(58) **Field of Classification Search** D26/128,
D26/142, 143, 152, 154, 118, 81, 85, 86,
D26/59; 392/364; 362/147, 432, 237; D11/131,
D11/121

See application file for complete search history.

(56) **References Cited**

U.S. PATENT DOCUMENTS

D69,473 S	*	2/1926	Balk	D26/81
D366,714 S	*	1/1996	Porter	D26/81
D408,095 S	*	4/1999	Porter	D26/81
D408,574 S	*	4/1999	Milicia	D26/81
D416,641 S	*	11/1999	Palacios	D26/81

D431,310 S	*	9/2000	Dolan	D26/84
D448,511 S	*	9/2001	Niermann	D26/81
D459,015 S	*	6/2002	Dolan	D26/81
D483,142 S	*	12/2003	Hsu	D26/81
D488,578 S	*	4/2004	O'Tierney	D26/81
D499,203 S	*	11/2004	Bayer	D26/154

* cited by examiner

Primary Examiner—Freda S. Nunn
Assistant Examiner—Kevin K. Rudzinski

(57) **CLAIM**

The ornamental design of a lighting fixture, as shown and described.

DESCRIPTION

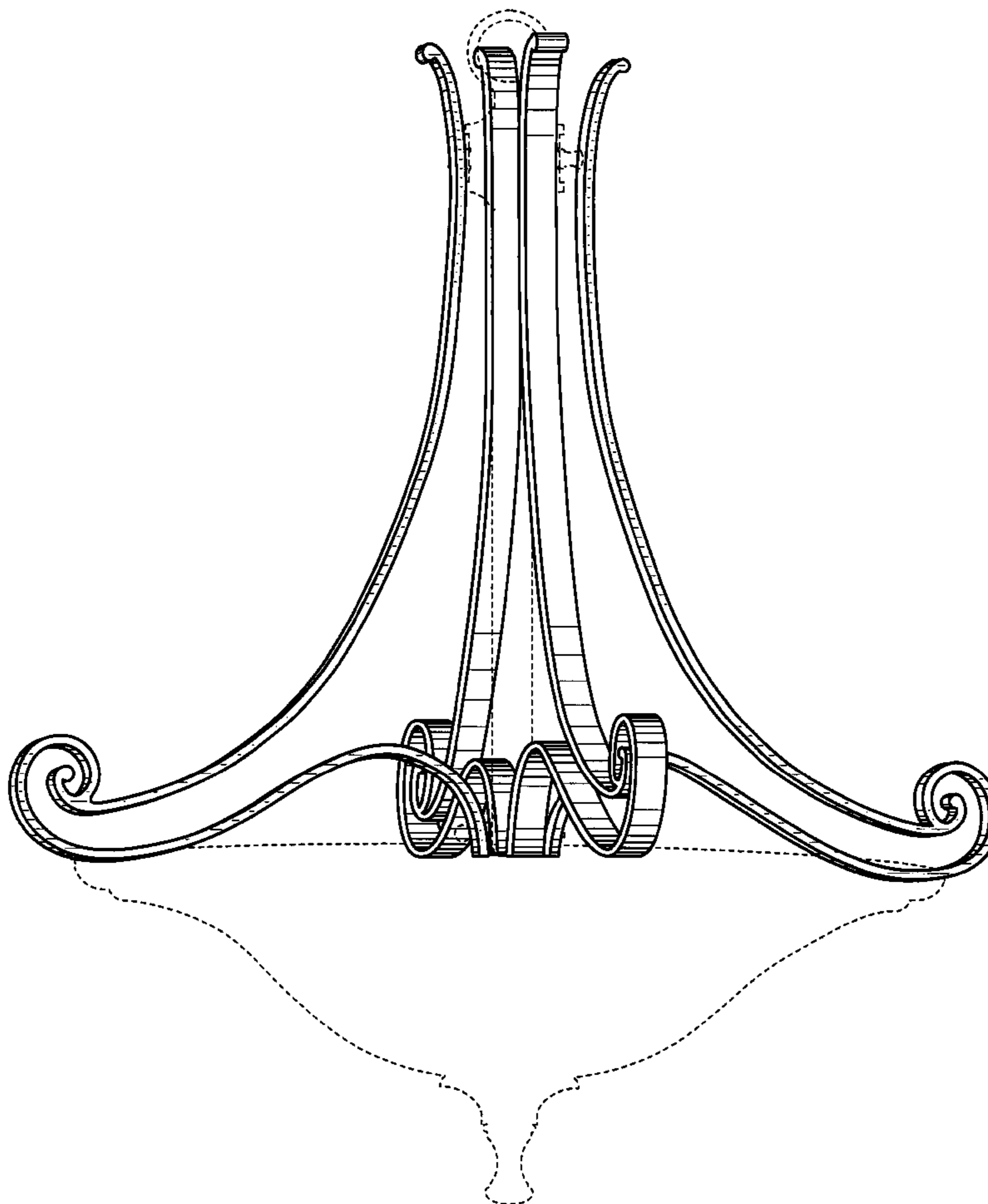
FIG. 1 is a perspective view of lighting fixture showing my new design;

FIG. 2 is a front elevational view thereof; and,

FIG. 3 is a bottom plan view thereof.

The broken-line showing of environmental structures in FIGS. 1–3 is for illustrative purposes only and forms no part of the claimed design.

1 Claim, 3 Drawing Sheets



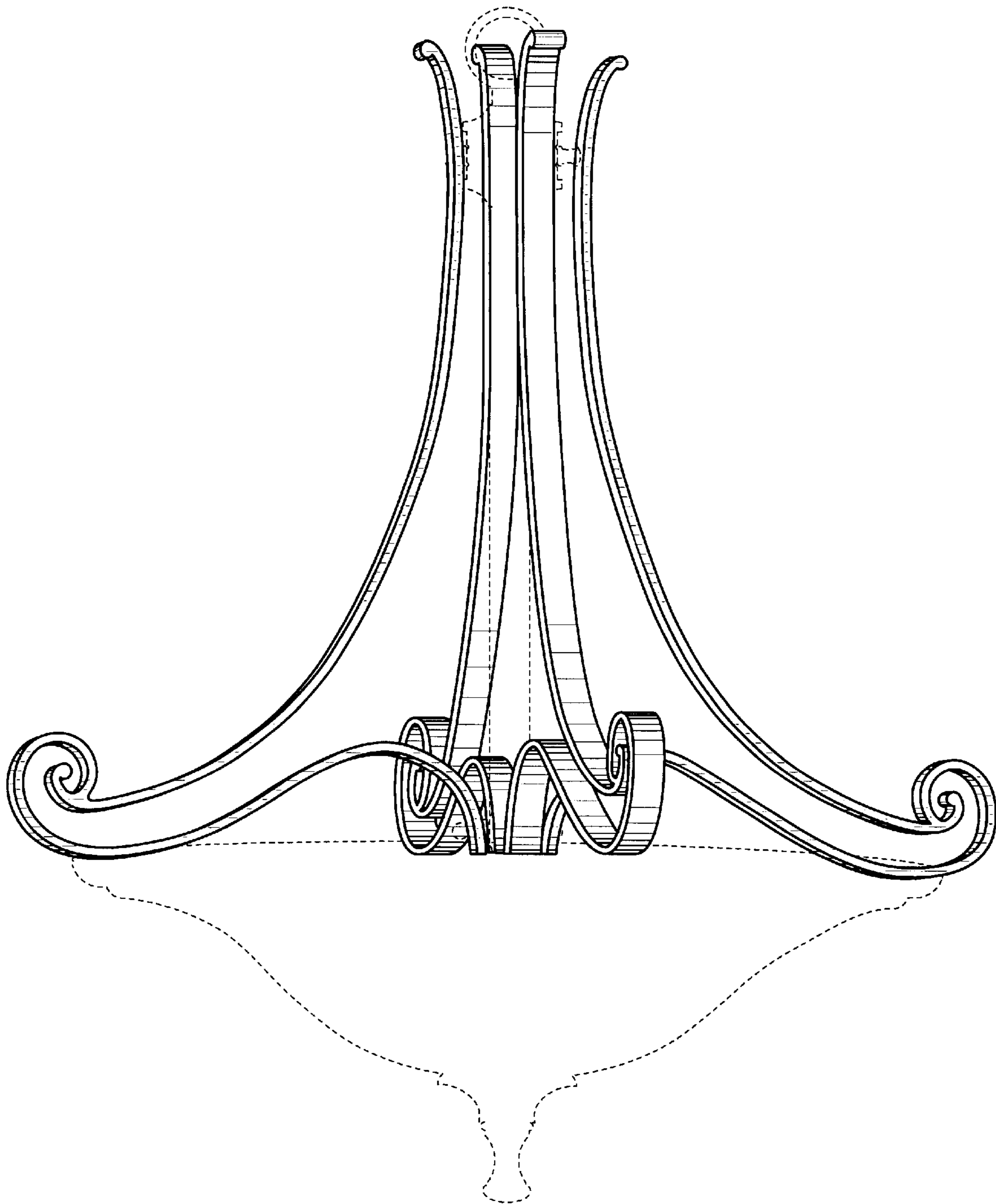


FIG. 1

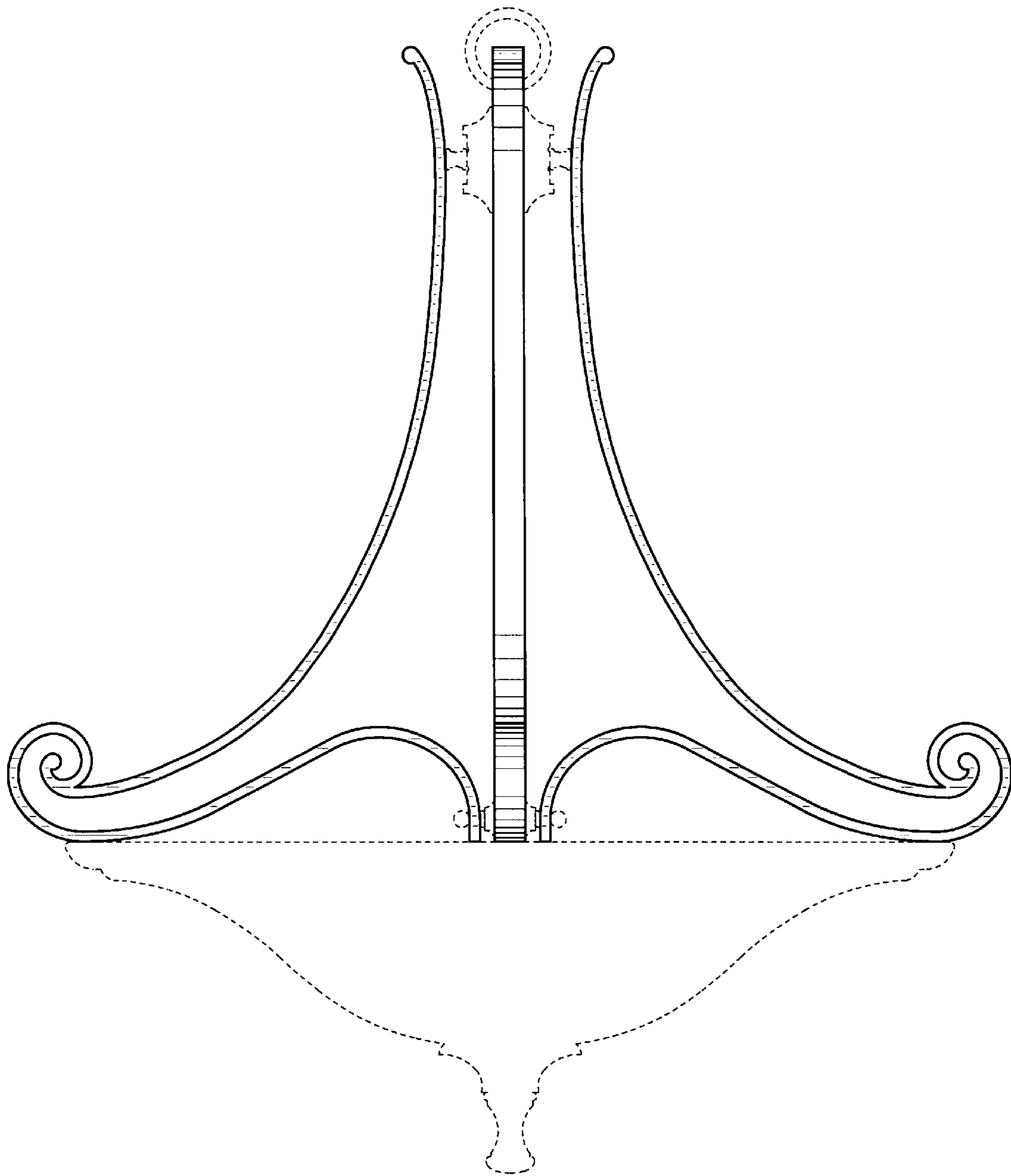


FIG. 2

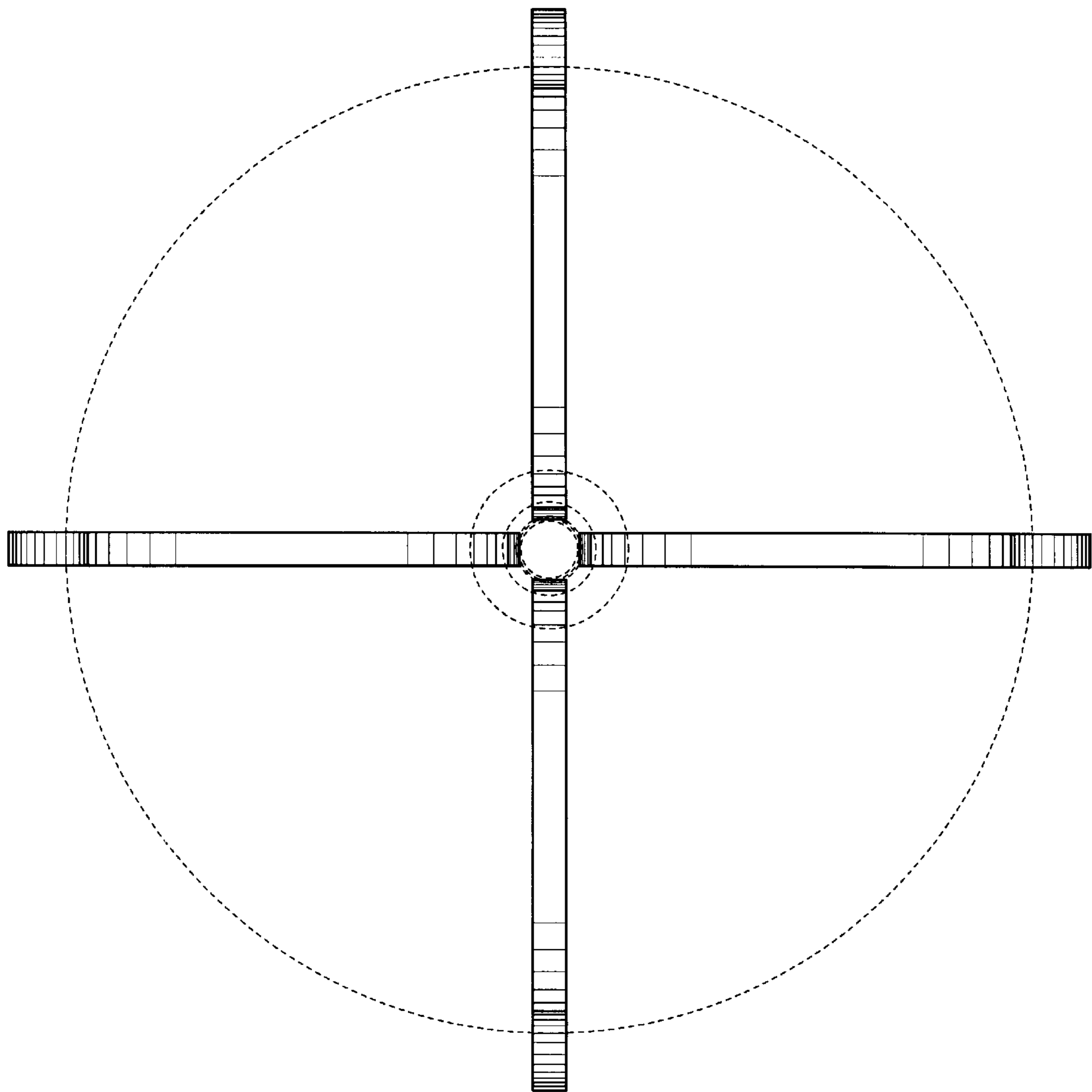


FIG. 3