

US00D532544S

(12) **United States Design Patent**
Woertler

(10) **Patent No.:** **US D532,544 S**

(45) **Date of Patent:** **** Nov. 21, 2006**

(54) **LED STRIP**

(75) Inventor: **Frank Woertler**, Enger (DE)

(73) Assignee: **Hera GmbH & Co. KG**, Enger (DE)

(**) Term: **14 Years**

(21) Appl. No.: **29/230,027**

(22) Filed: **May 16, 2005**

(51) **LOC (8) Cl.** **26-03**

(52) **U.S. Cl.** **D26/80; D26/86**

(58) **Field of Classification Search** D26/24,
D26/72, 75-78, 80, 81, 85, 87, 35; 362/236,
362/237, 238, 240, 249, 250, 147, 432, 127,
362/125, 133, 800, 555, 612; D10/109, 111,
D10/114

See application file for complete search history.

(56) **References Cited**

U.S. PATENT DOCUMENTS

D166,034 S * 2/1952 Gray D26/85
D203,865 S * 2/1966 Cooper D26/63
D333,008 S * 2/1993 Frost et al. D26/63

D359,374 S * 6/1995 Weinstock D26/80
D499,976 S * 12/2004 Neufeglise et al. D10/114
6,969,189 B1 * 11/2005 Lee et al. 362/631
2005/0117319 A1 * 6/2005 Kuo 362/31
2005/0180162 A1 * 8/2005 Fan 362/555

* cited by examiner

Primary Examiner—Clare E Heflin

(74) *Attorney, Agent, or Firm*—Smith, Gambrell & Russell,
LLP

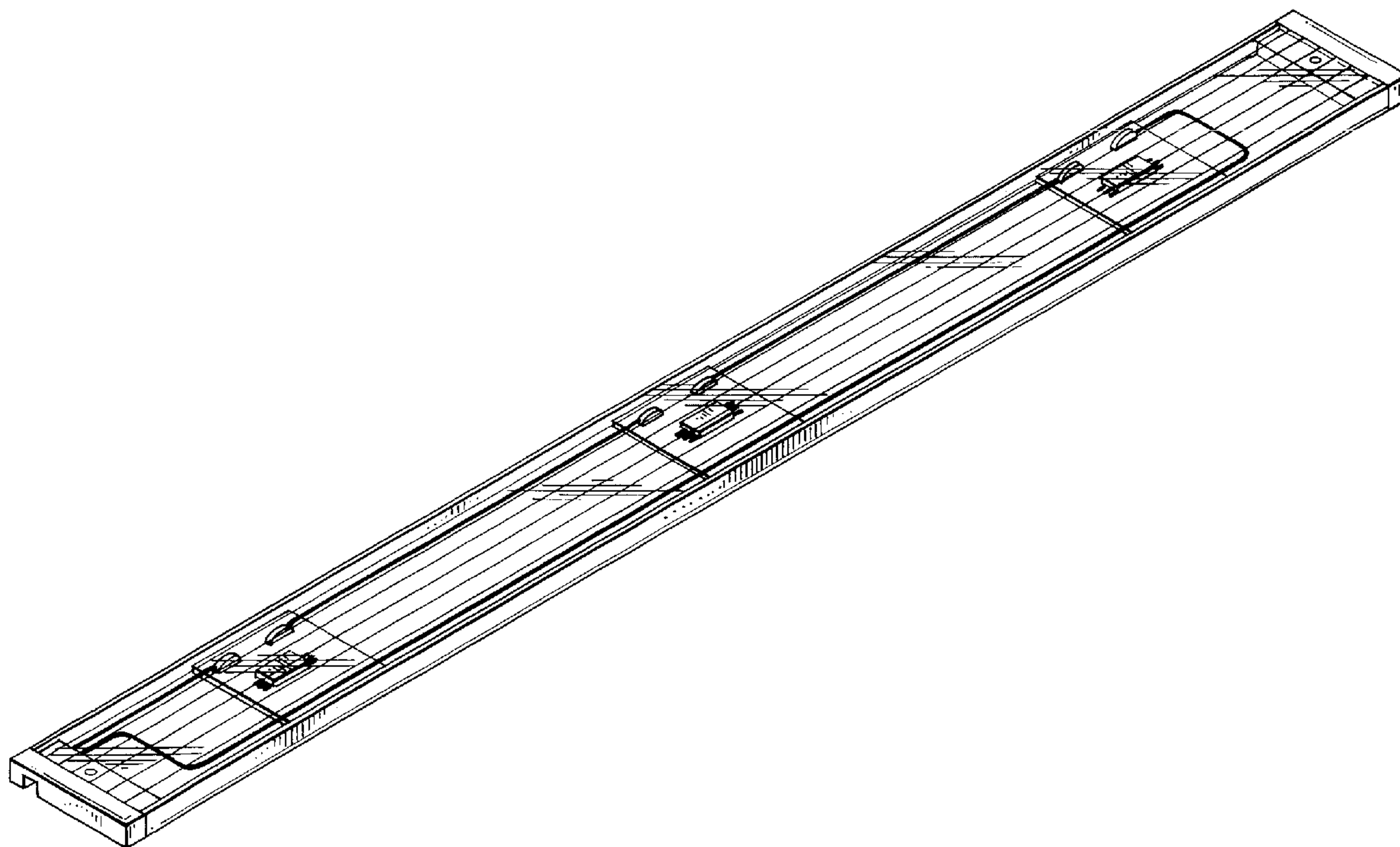
(57) **CLAIM**

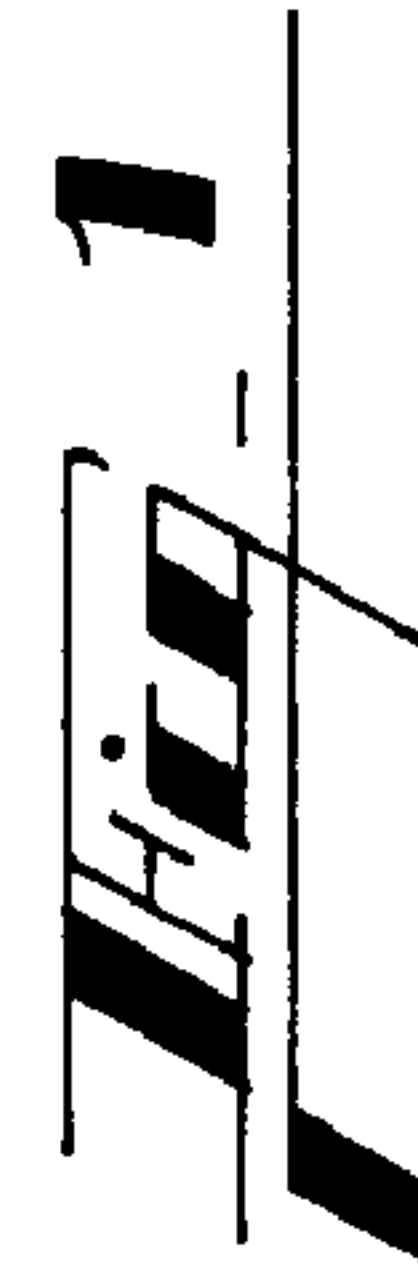
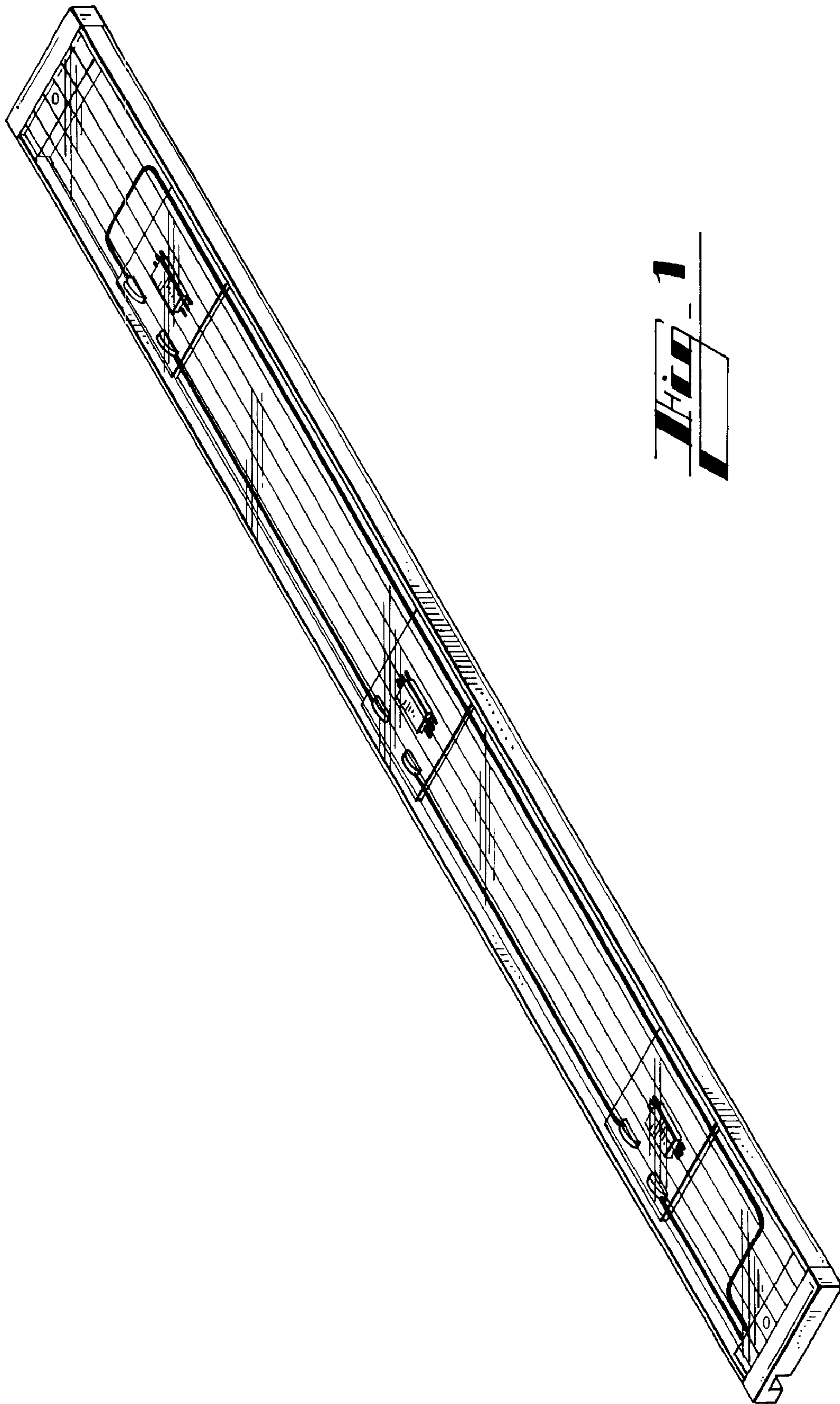
The ornamental design for a LED strip, as shown and described.

DESCRIPTION

FIG. 1 is a front left side perspective view of an LED strip of the present invention;
FIG. 2 is a front view thereof;
FIG. 3 is a top view thereof;
FIG. 4 is a back view thereof;
FIG. 5 is a left side view thereof; and,
FIG. 6 is a right side view thereof.

1 Claim, 2 Drawing Sheets





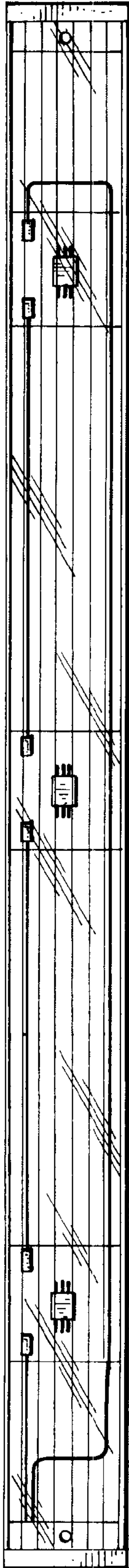


Fig. 2

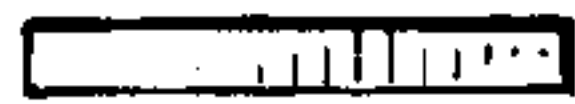


Fig. 6



Fig. 5



Fig. 3

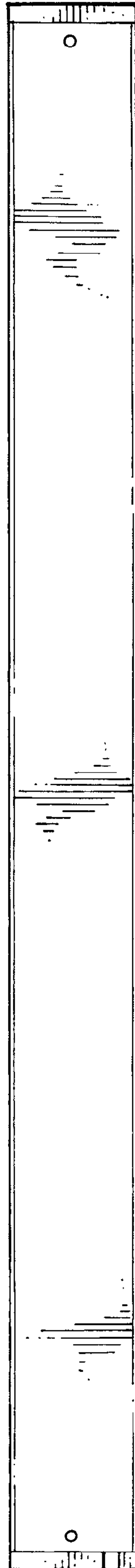


Fig. 4